



US00D558077S

(12) **United States Design Patent**
Williams

(10) **Patent No.:** **US D558,077 S**

(45) **Date of Patent:** **** Dec. 25, 2007**

(54) **STRAIGHT EDGE TAPE**

6,698,104 B2 3/2004 Scarborough

6,725,560 B2 4/2004 Smith

(76) Inventor: **Wesley Williams**, 487 Brookhaven Rd.,
Statesville, NC (US) 28625

6,910,280 B2* 6/2005 Scarborough 33/768

* cited by examiner

(**) Term: **14 Years**

Primary Examiner—Antoine D. Davis

(21) Appl. No.: **29/264,451**

(74) *Attorney, Agent, or Firm*—Lawrence J. Gibney, Jr.

(22) Filed: **Aug. 10, 2006**

(57) **CLAIM**

(51) **LOC (8) Cl.** **10-04**

The ornamental design for straight edge tape, as shown and described.

(52) **U.S. Cl.** **D10/72**

(58) **Field of Classification Search** D10/72;
33/668, 755-771; 242/292, 381.1, 381.2,
242/381.3, 381.4, 381.5, 381.6

DESCRIPTION

See application file for complete search history.

FIG. 1 is a front elevational view of a straight edge tape showing my new design;

(56) **References Cited**

FIG. 2 is a rear elevational view thereof;

U.S. PATENT DOCUMENTS

FIG. 3 is a left elevational view thereof;

4,015,337 A	4/1977	Taylor
4,760,648 A	8/1988	Doak et al.
4,914,830 A	4/1990	Legare
5,477,619 A	12/1995	Kearns
5,577,329 A	11/1996	States
D390,795 S	2/1998	LaFrance
6,574,881 B2	6/2003	Cole, III

FIG. 4 is a right elevational view thereof;

FIG. 5 is a top elevational view thereof;

FIG. 6 is a bottom elevational view thereof; and,

FIG. 7 is an isometric view of the device.

1 Claim, 4 Drawing Sheets

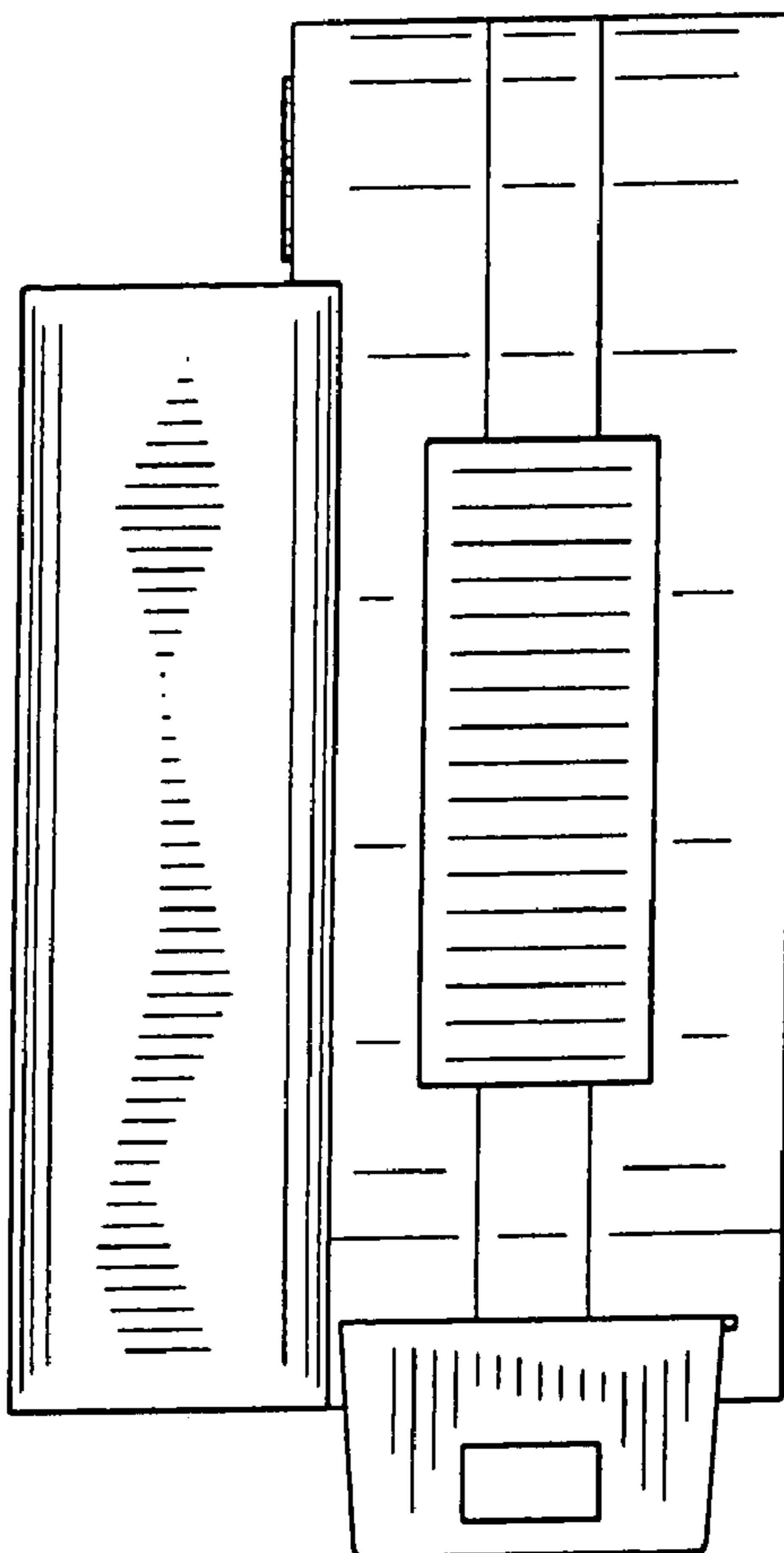


FIG. 2

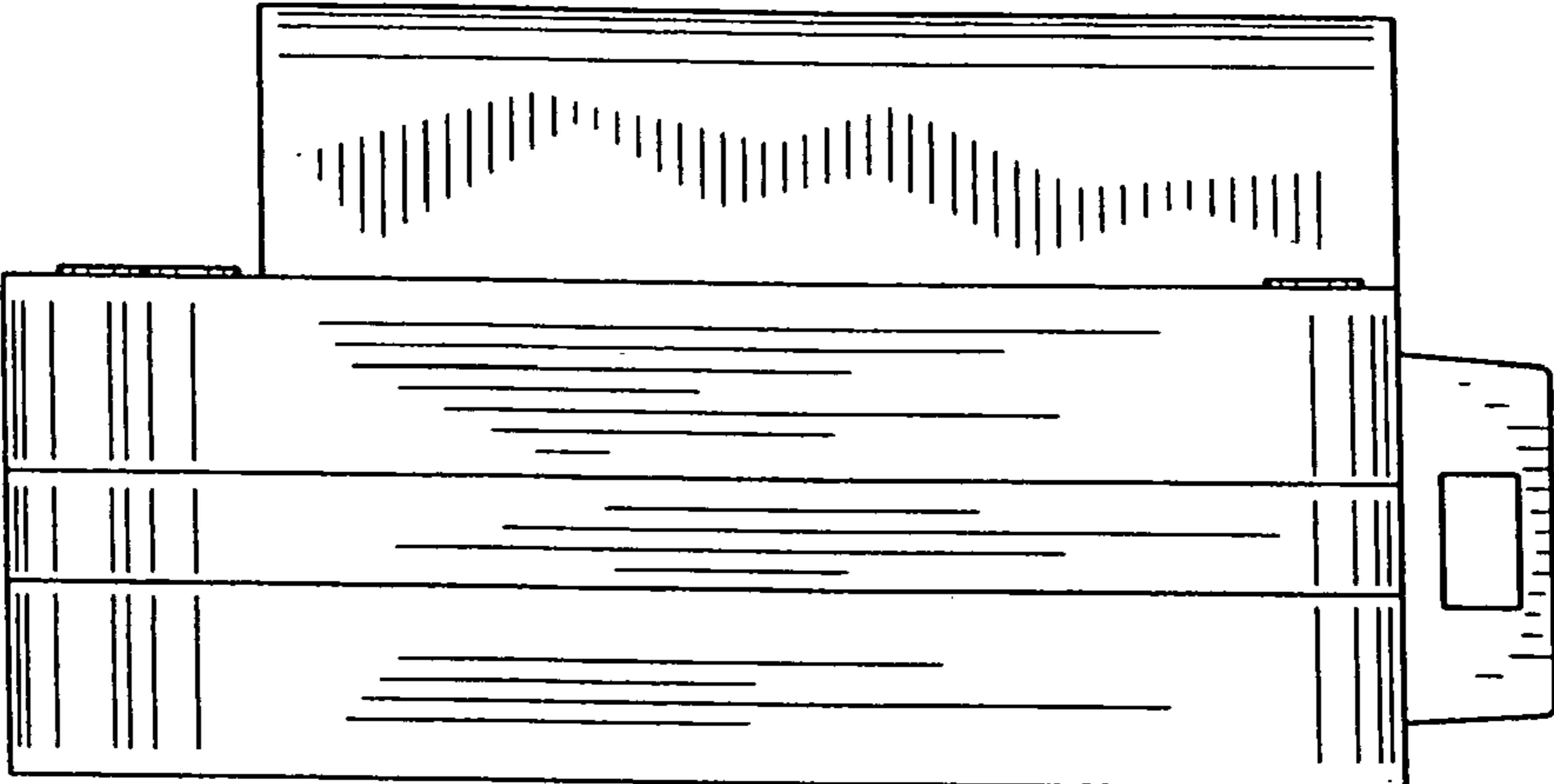


FIG. 1

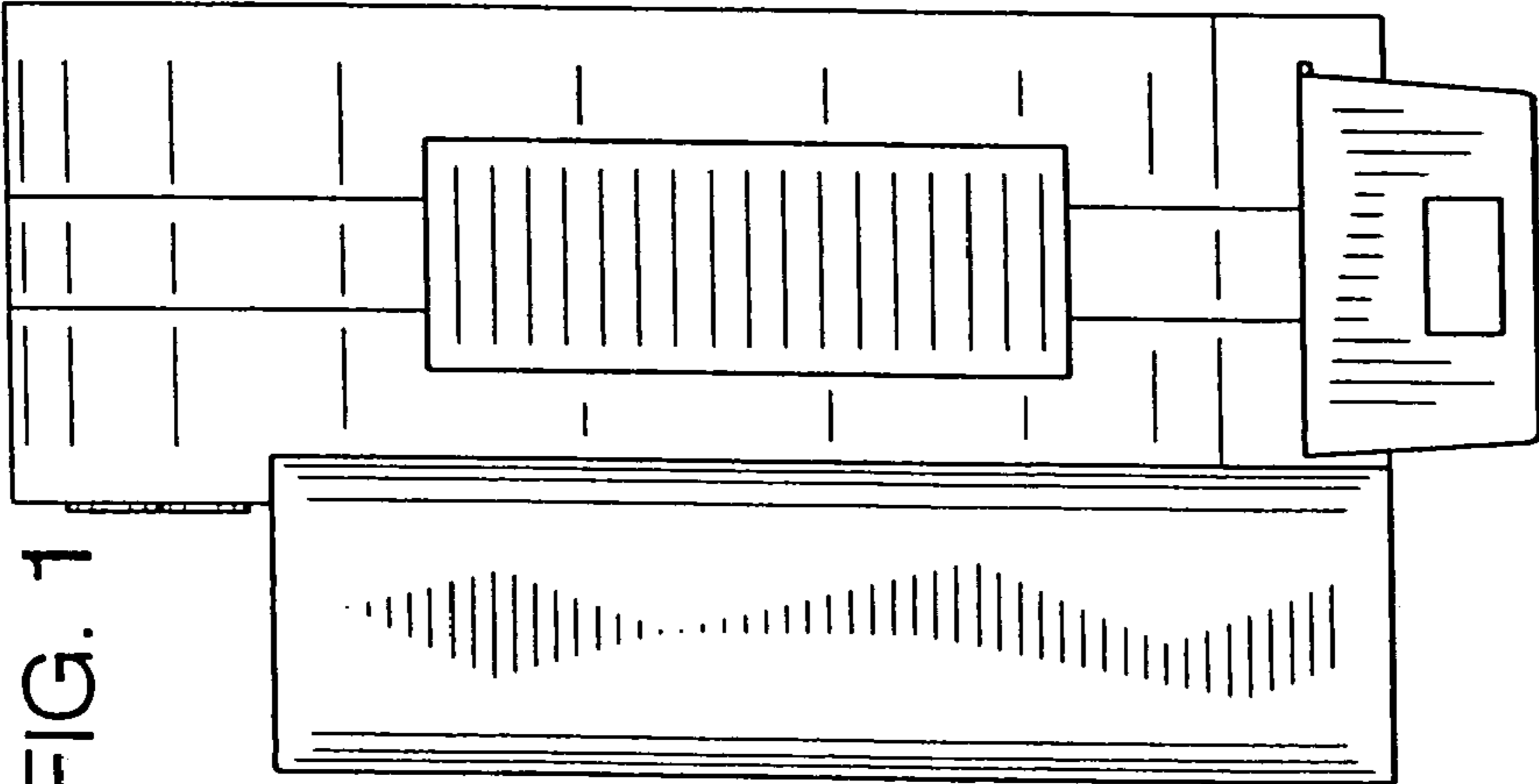


FIG. 3

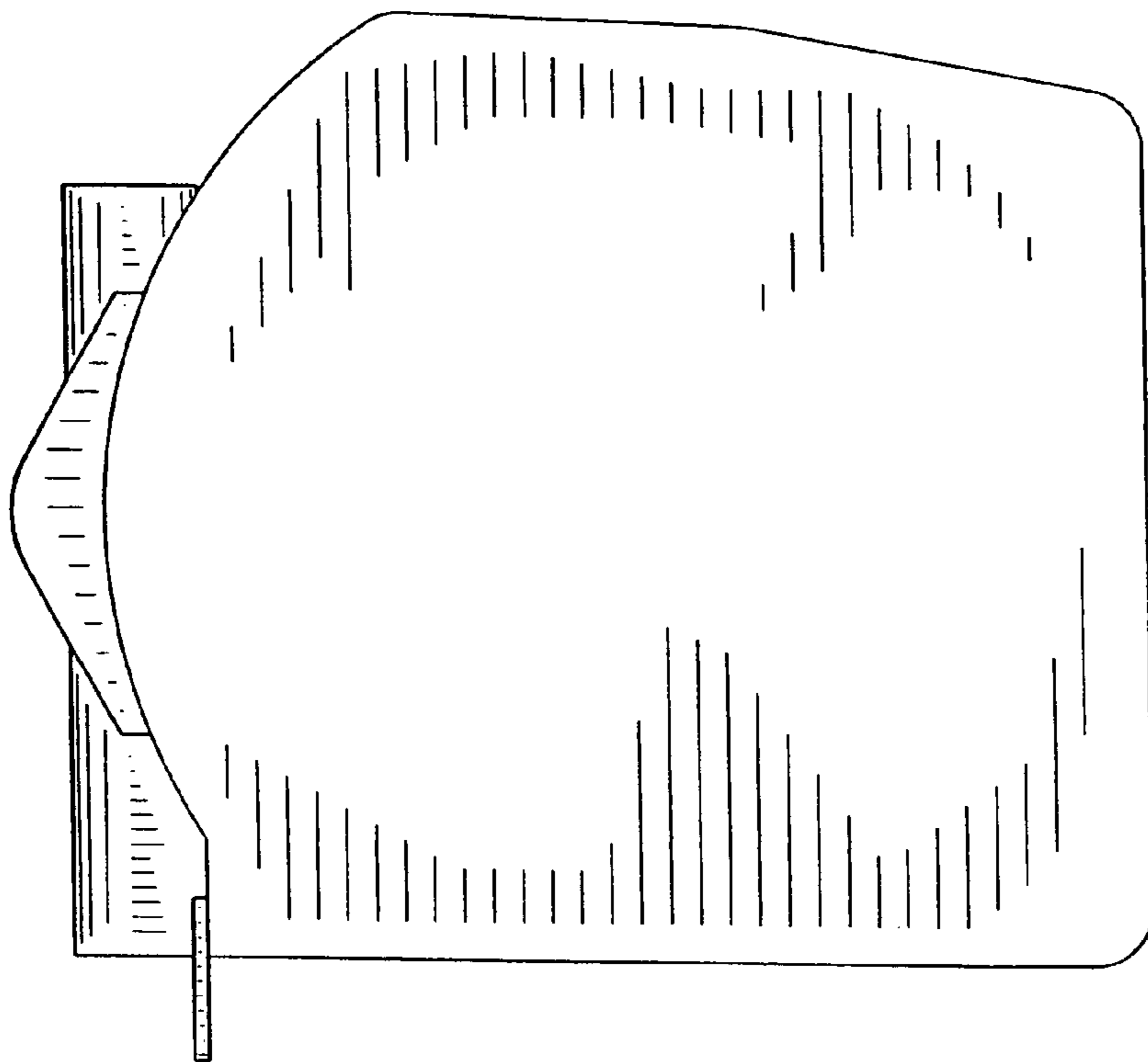
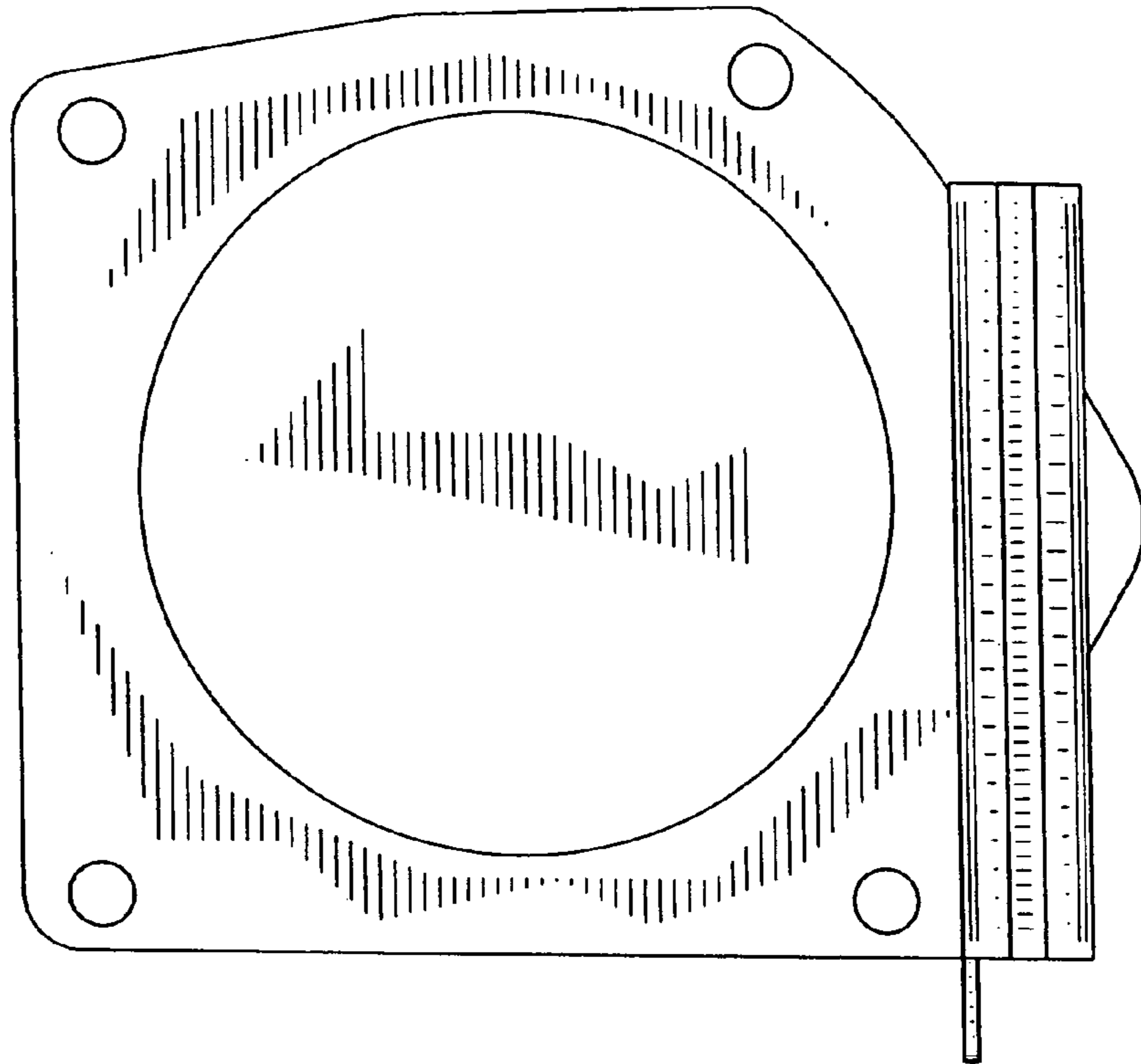


FIG. 4

FIG. 6

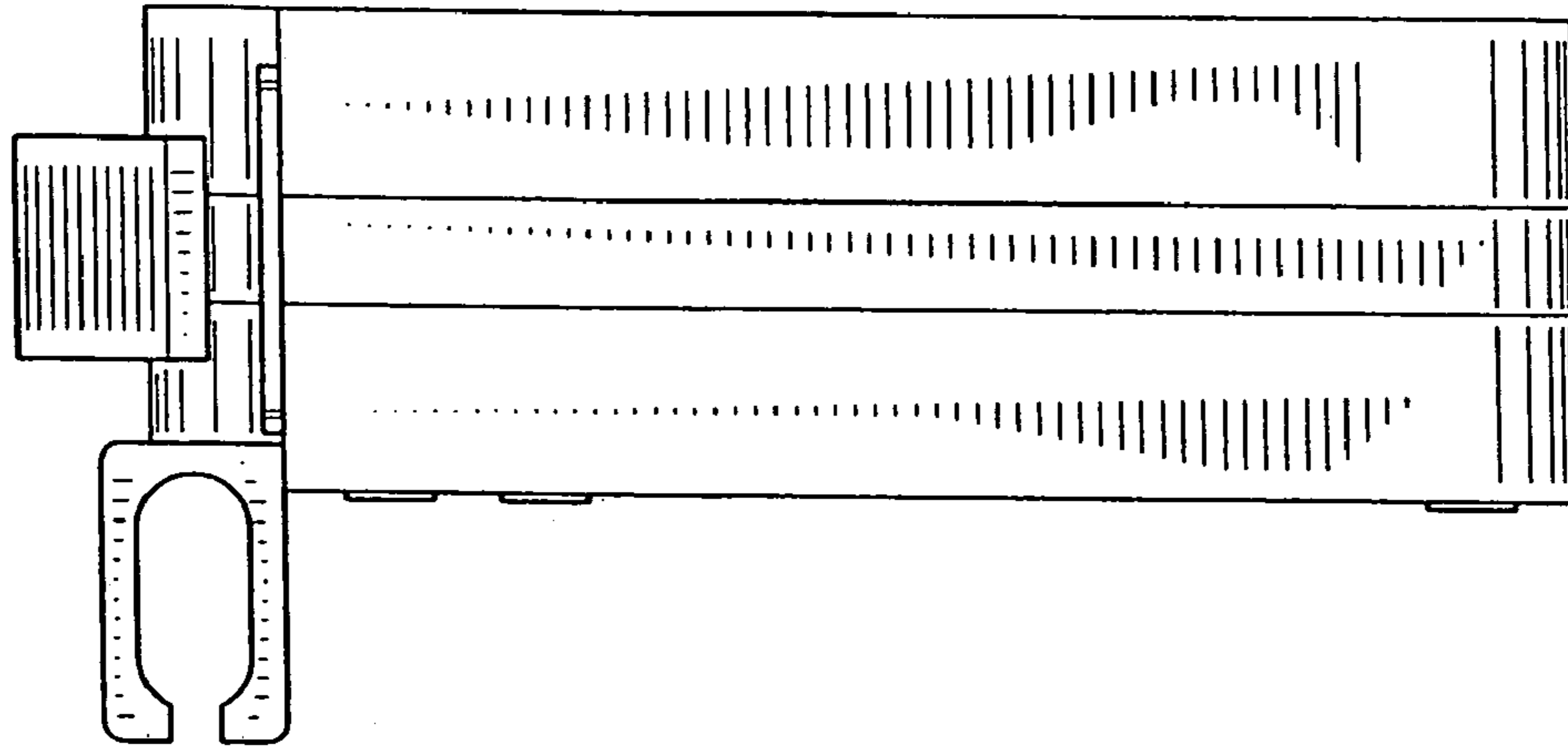
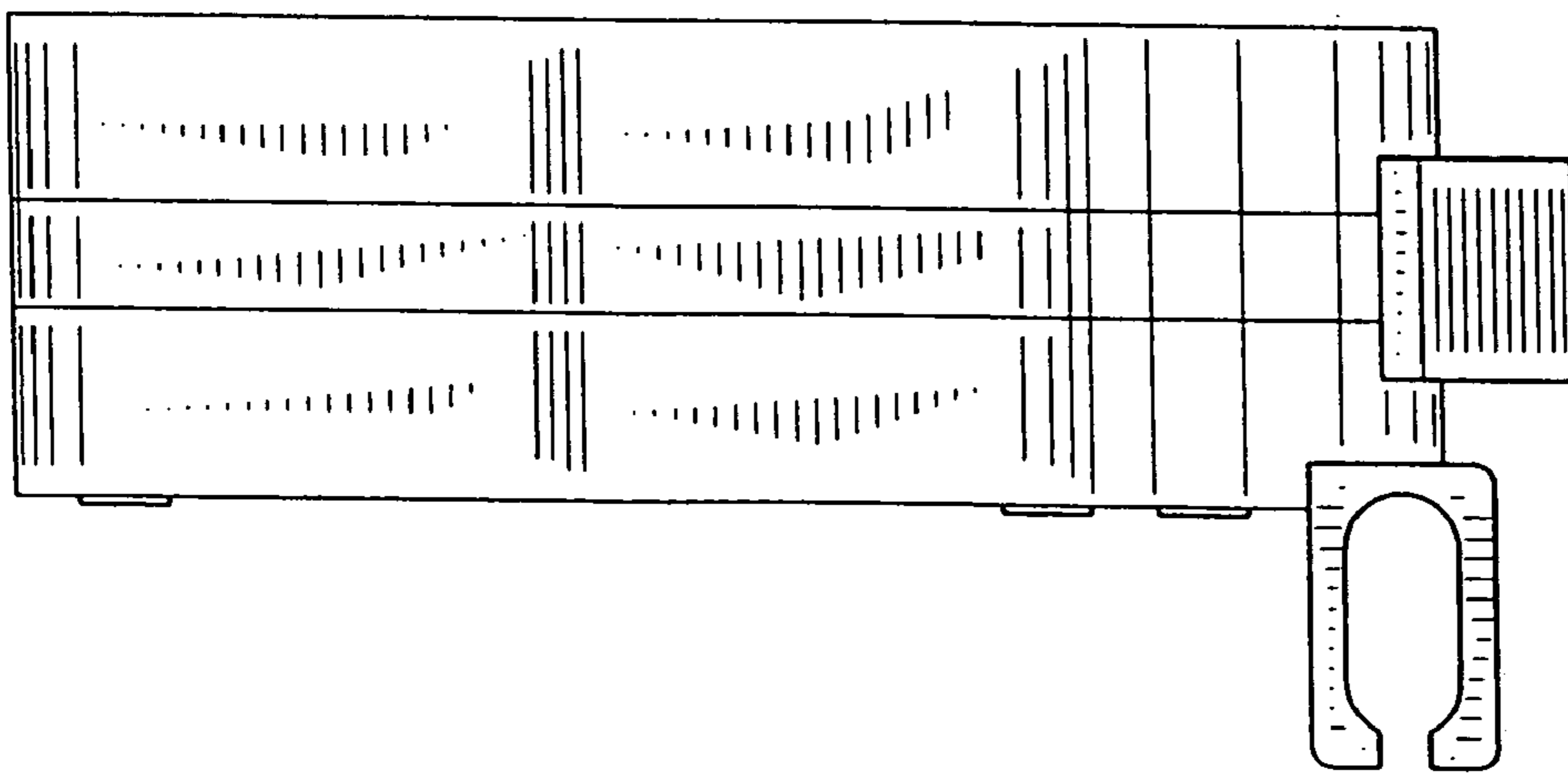


FIG. 5



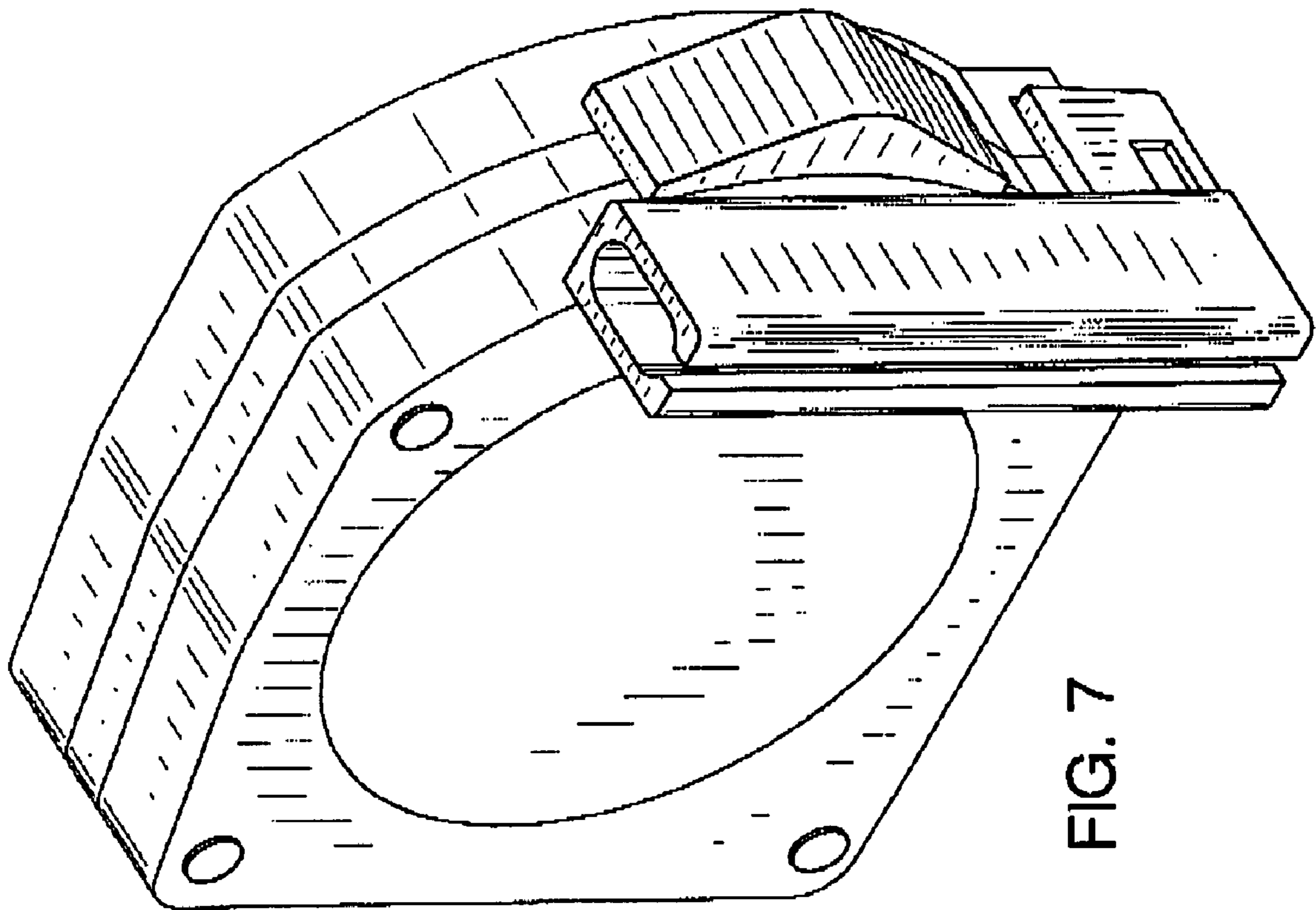


FIG. 7