

US00D558073S

(12) **United States Design Patent**  
**Simon et al.**

(10) **Patent No.:** **US D558,073 S**

(45) **Date of Patent:** **\*\* Dec. 25, 2007**

(54) **THERMOSTAT HOUSING**

(75) Inventors: **Timothy M. Simon**, San Francisco, CA  
(US); **Matthew T. Fisher**, Reno, NV  
(US)

(73) Assignee: **Tim Simon, Inc.**, San Francisco, CA  
(US)

(\*\*) Term: **14 Years**

(21) Appl. No.: **29/276,693**

(22) Filed: **Feb. 1, 2007**

(51) **LOC (8) Cl.** ..... **10-04**

(52) **U.S. Cl.** ..... **D10/50**

(58) **Field of Classification Search** ..... D10/49-50;  
236/5, 46-47, 49.3, 51, 84, 94; 340/7.21-7.24,  
340/7.32, 825.6, 825.72, 539.1, 539.11, 539.14,  
340/539.21, 539.26, 426.21, 584, 589, 870.17;  
374/167; 400/485; 455/420, 226.1

See application file for complete search history.

(56) **References Cited**

**U.S. PATENT DOCUMENTS**

D360,145 S 7/1995 Odom et al.  
D360,146 S 7/1995 Gaskell et al.  
D361,947 S 9/1995 Cochran et al.  
D363,032 S 10/1995 Odom et al.  
5,485,954 A 1/1996 Guy et al.  
D458,159 S \* 6/2002 Amborn et al. .... D10/50

6,504,580 B1 \* 1/2003 Thompson et al. .... 340/825.72  
D518,744 S \* 4/2006 Rosen ..... D10/50  
D520,386 S \* 5/2006 Takach et al. .... D10/50  
7,088,221 B2 \* 8/2006 Chan ..... 340/286.05

\* cited by examiner

*Primary Examiner*—Antoine D. Davis

(74) *Attorney, Agent, or Firm*—James F. Hann; Haynes  
Beffel & Wolfeld LLP

(57) **CLAIM**

The ornamental design for a thermostat housing, shown and  
described.

**DESCRIPTION**

This application is related to the following U.S. patent  
applications, both having the same title and both filed on the  
same day is this application: application Ser. No. 29,276,  
691, and application Ser. No. 29/276.692.

FIG. 1 is a front, right side, top perspective view of a  
thermostat housing showing our new design;

FIG. 2 is a top plan view thereof;

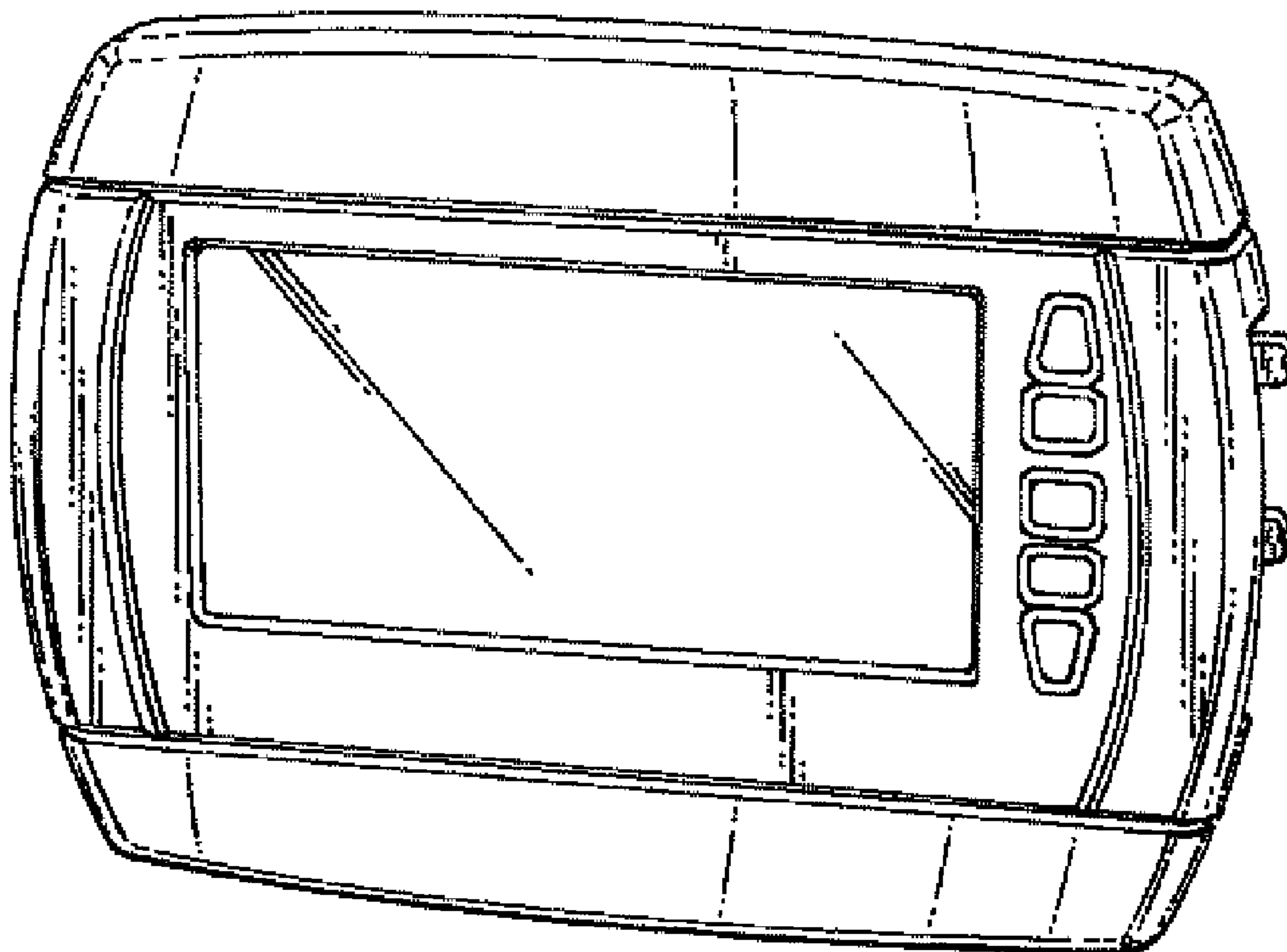
FIG. 3 is a front elevational view thereof;

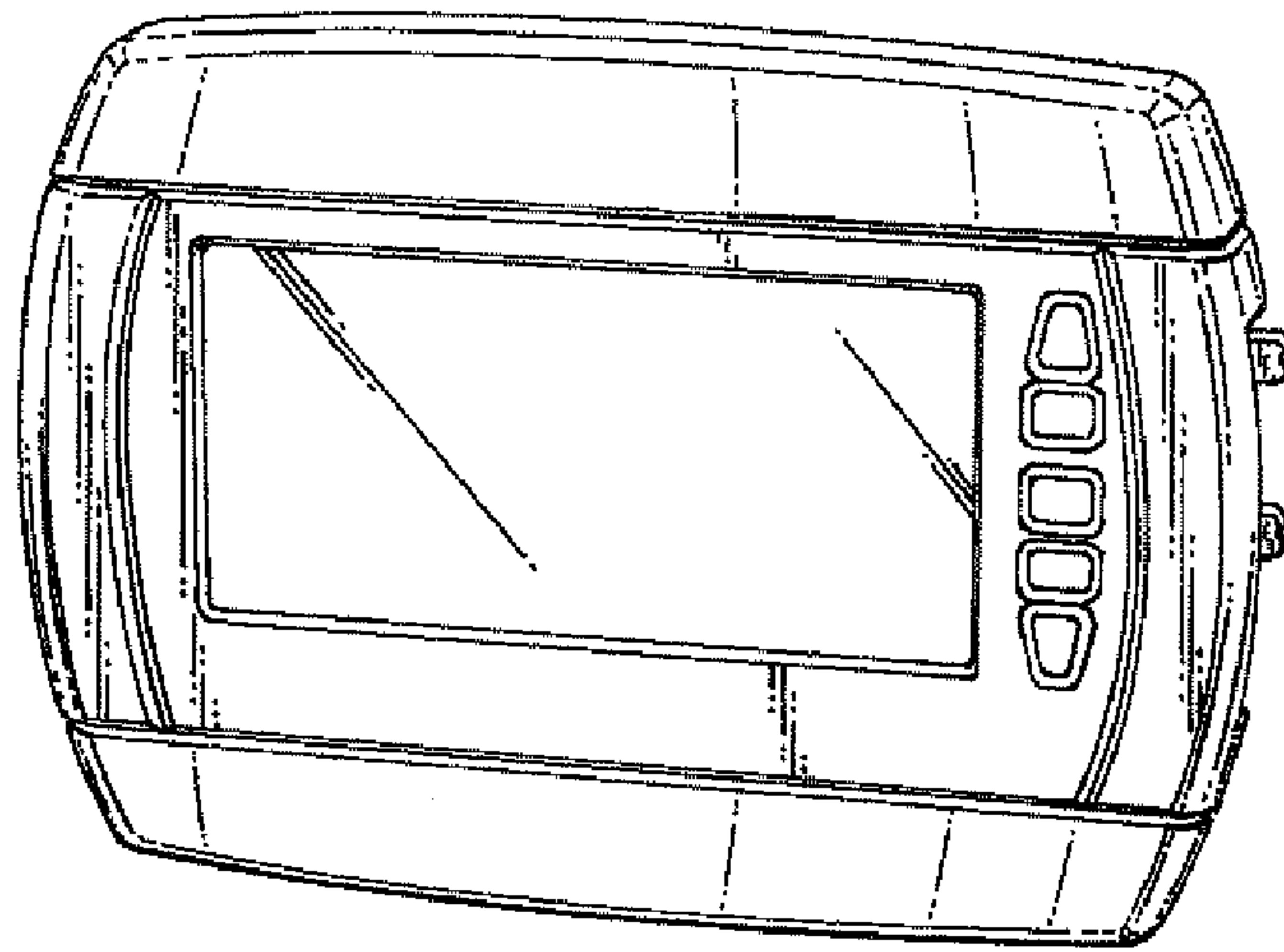
FIG. 4 is a right side elevational view thereof;

FIG. 5 is a left side elevational view thereof; and,

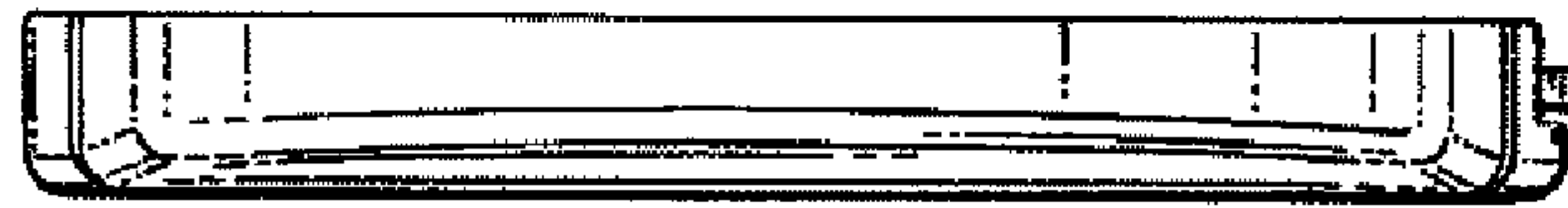
FIG. 6 is a bottom plan view thereof.

**1 Claim, 1 Drawing Sheet**





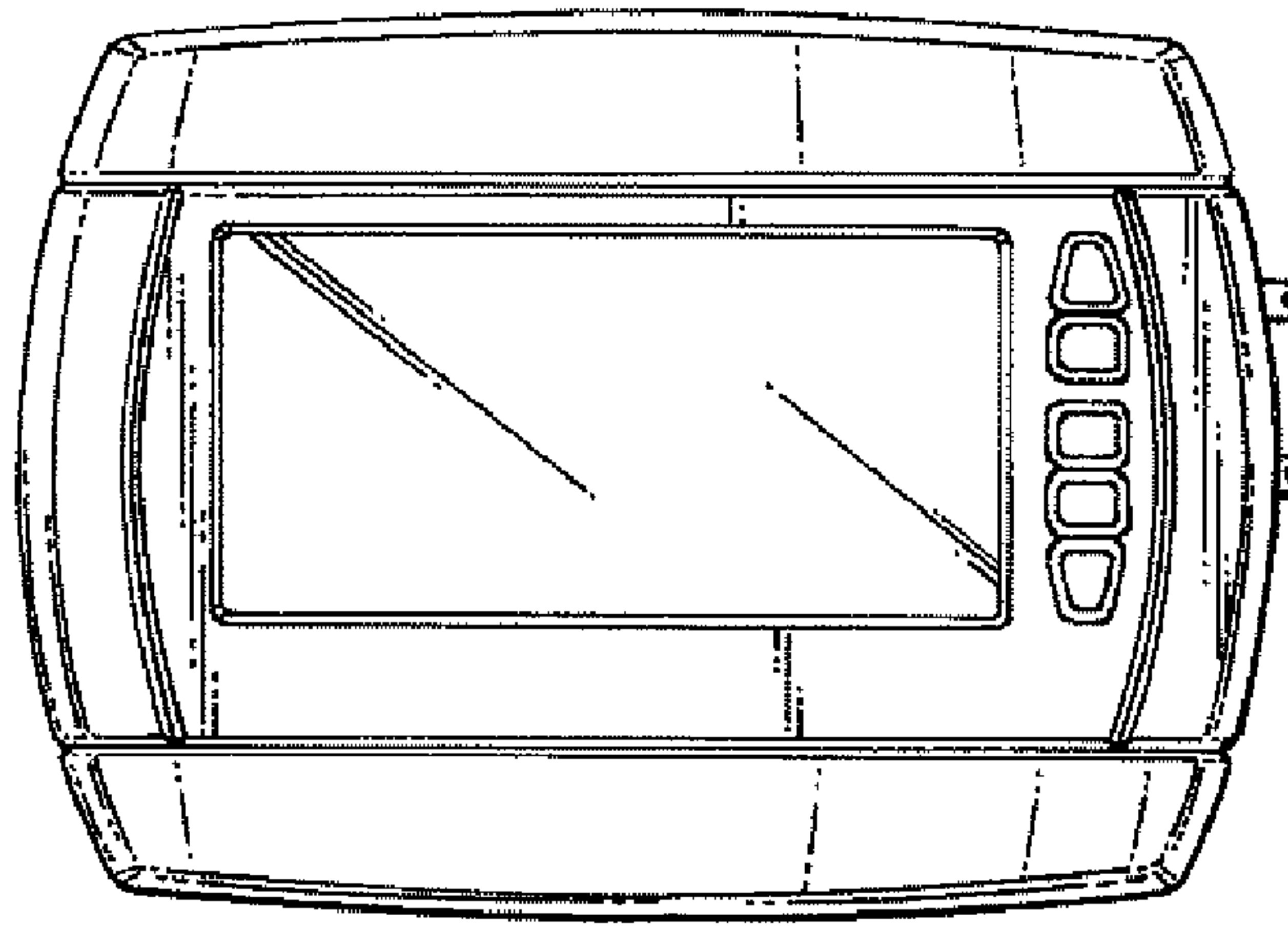
**FIG. 1**



**FIG. 2**



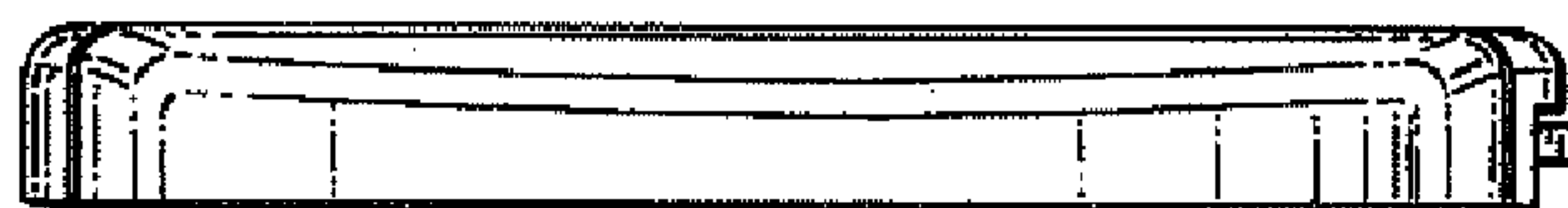
**FIG. 5**



**FIG. 3**



**FIG. 4**



**FIG. 6**