



US00D558067S

(12) **United States Design Patent**  
**Carbonatto**

(10) **Patent No.:** **US D558,067 S**

(45) **Date of Patent:** **\*\* Dec. 25, 2007**

(54) **WATCH CASE**

5,838,642 A \* 11/1998 Tully ..... 368/282  
D461,725 S \* 8/2002 Bodino ..... D10/32  
D513,195 S \* 12/2005 Gruosi ..... D10/38

(75) Inventor: **Virginie Carbonatto**, Geneva (CH)

(73) Assignee: **Swatch AG (Swatch SA) (Swatch Ltd)**, Bienne (CH)

(\*\*) Term: **14 Years**

(21) Appl. No.: **29/279,303**

(22) Filed: **Apr. 26, 2007**

(30) **Foreign Application Priority Data**

Nov. 7, 2006 (WO) ..... DM/068301

(51) **LOC (8) Cl.** ..... **10-02**

(52) **U.S. Cl.** ..... **D10/38**

(58) **Field of Classification Search** ..... D10/30,  
D10/31, 32, 38, 39, 123-126; 368/276, 281,  
368/282, 285, 228, 232, 80, 239-242, 28-30  
See application file for complete search history.

(56) **References Cited**

U.S. PATENT DOCUMENTS

4,135,358 A \* 1/1979 Ricca ..... 368/281  
4,396,298 A \* 8/1983 Ripley ..... 368/276  
4,403,869 A \* 9/1983 Crutcher ..... 368/239  
4,630,935 A \* 12/1986 Zettek ..... 368/28  
4,639,144 A \* 1/1987 Chau ..... 368/276  
4,862,436 A \* 8/1989 Harilela ..... 368/282  
D304,305 S \* 10/1989 Morishima ..... D10/38  
5,361,241 A \* 11/1994 Ferrara et al. .... 368/281  
D369,752 S \* 5/1996 Houlihan ..... D10/38  
5,719,780 A \* 2/1998 Holmes et al. .... 700/231

OTHER PUBLICATIONS

Watches International VI, The Original Annual of the World's Finest Wristwatches, 2005, Tourbillon Publishing, LLC., p. 482, TAG Heuer "Microtimer" wristwatch.\*

Watches International VI, The Original Annual of the World's Finest Wristwatches, 2005, Tourbillon Publishing, LLC., p. 485, TAG Heuer "Monaco Sixty Nine" wristwatch.\*

\* cited by examiner

Primary Examiner—Lucy Lieberman

(74) Attorney, Agent, or Firm—Collen IP; Donald J. Ranft

(57) **CLAIM**

The ornamental design for a watch case, as shown and described.

**DESCRIPTION**

FIG. 1 is a front and right side perspective view of a watch case showing my new design;

FIG. 2 is a rear and right side perspective view thereof;

FIG. 3 is a front view thereof;

FIG. 4 is a rear view thereof;

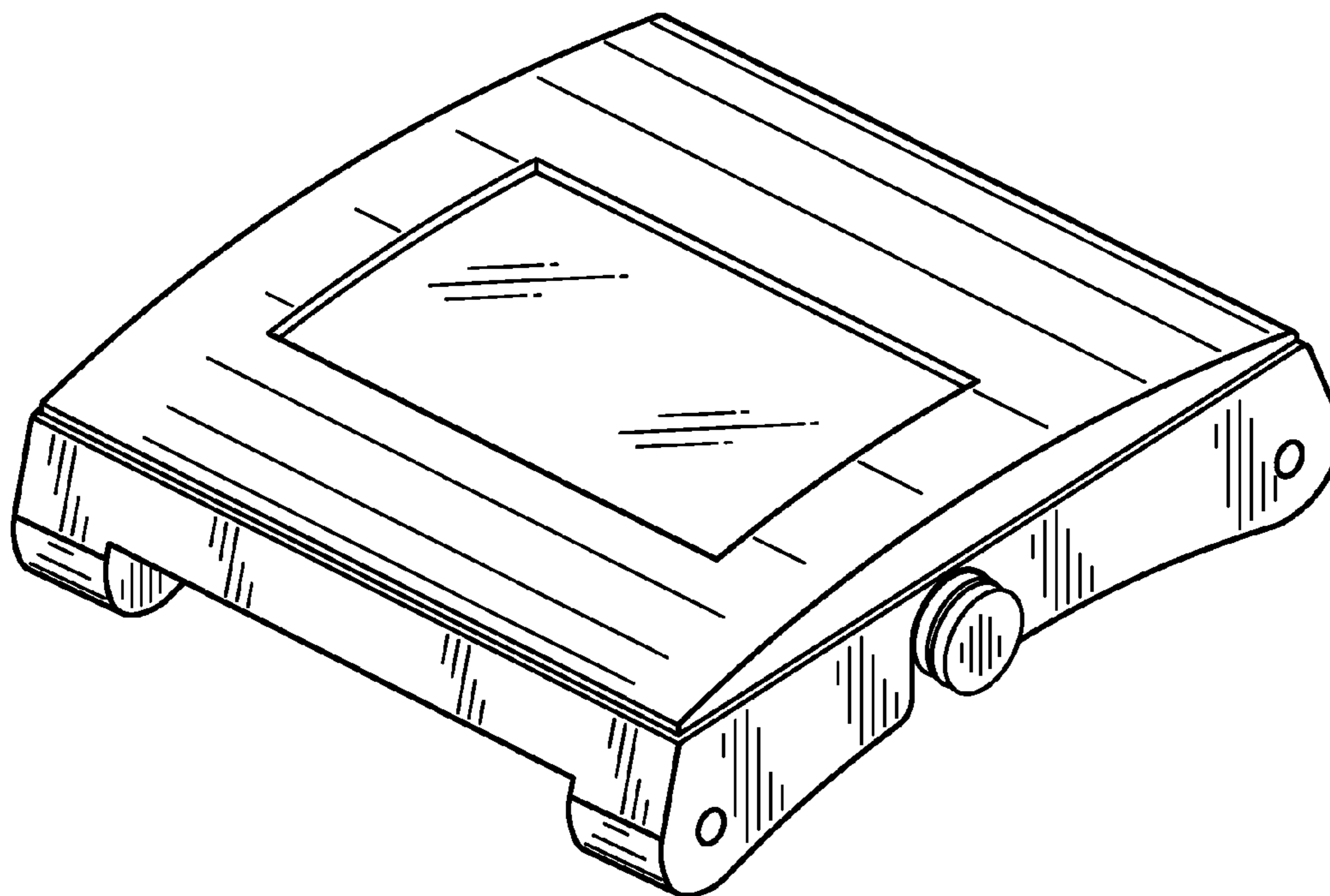
FIG. 5 is a left side view thereof;

FIG. 6 is a right side view thereof;

FIG. 7 is a top view thereof; and,

FIG. 8 is a bottom view thereof.

**1 Claim, 3 Drawing Sheets**



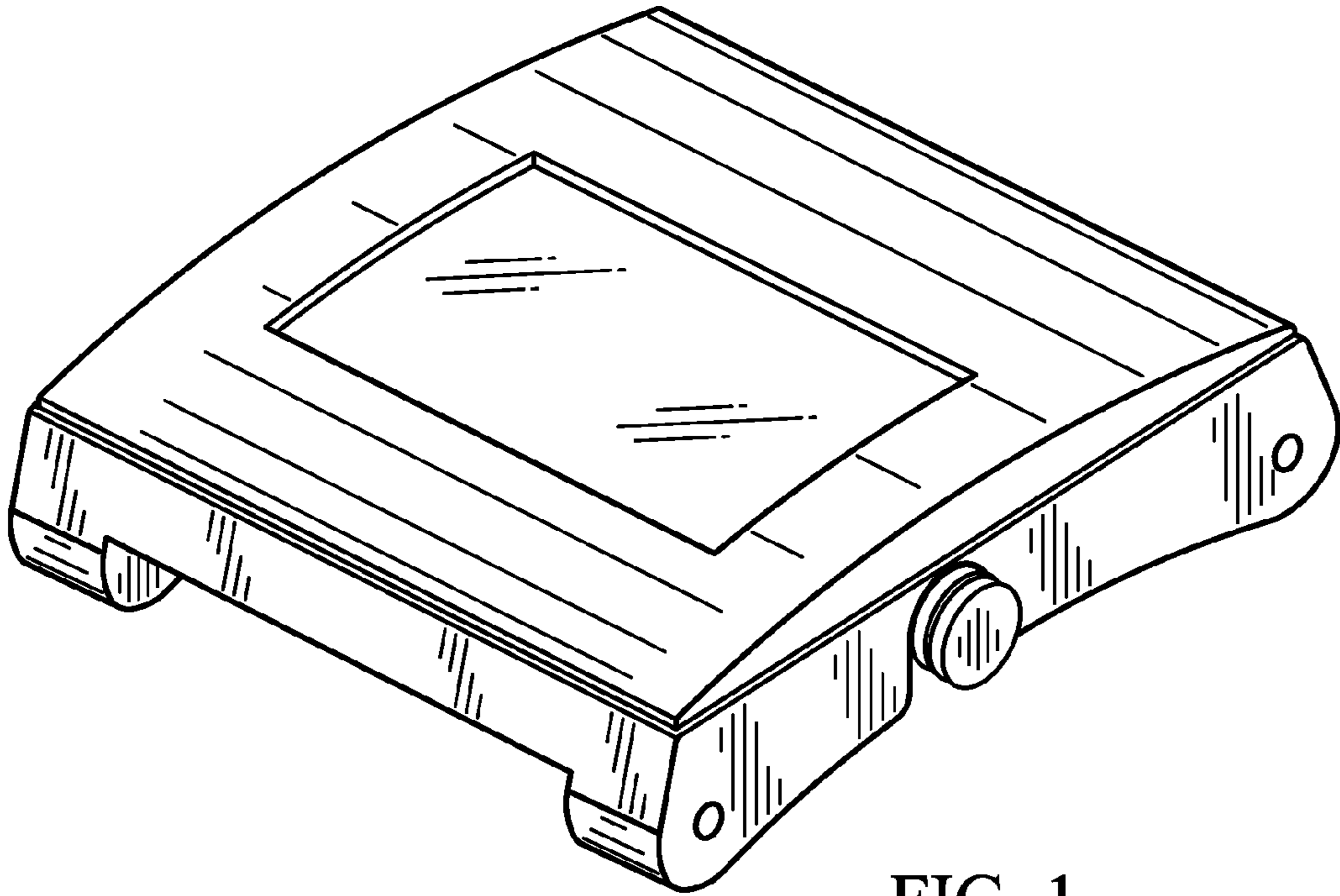


FIG. 1

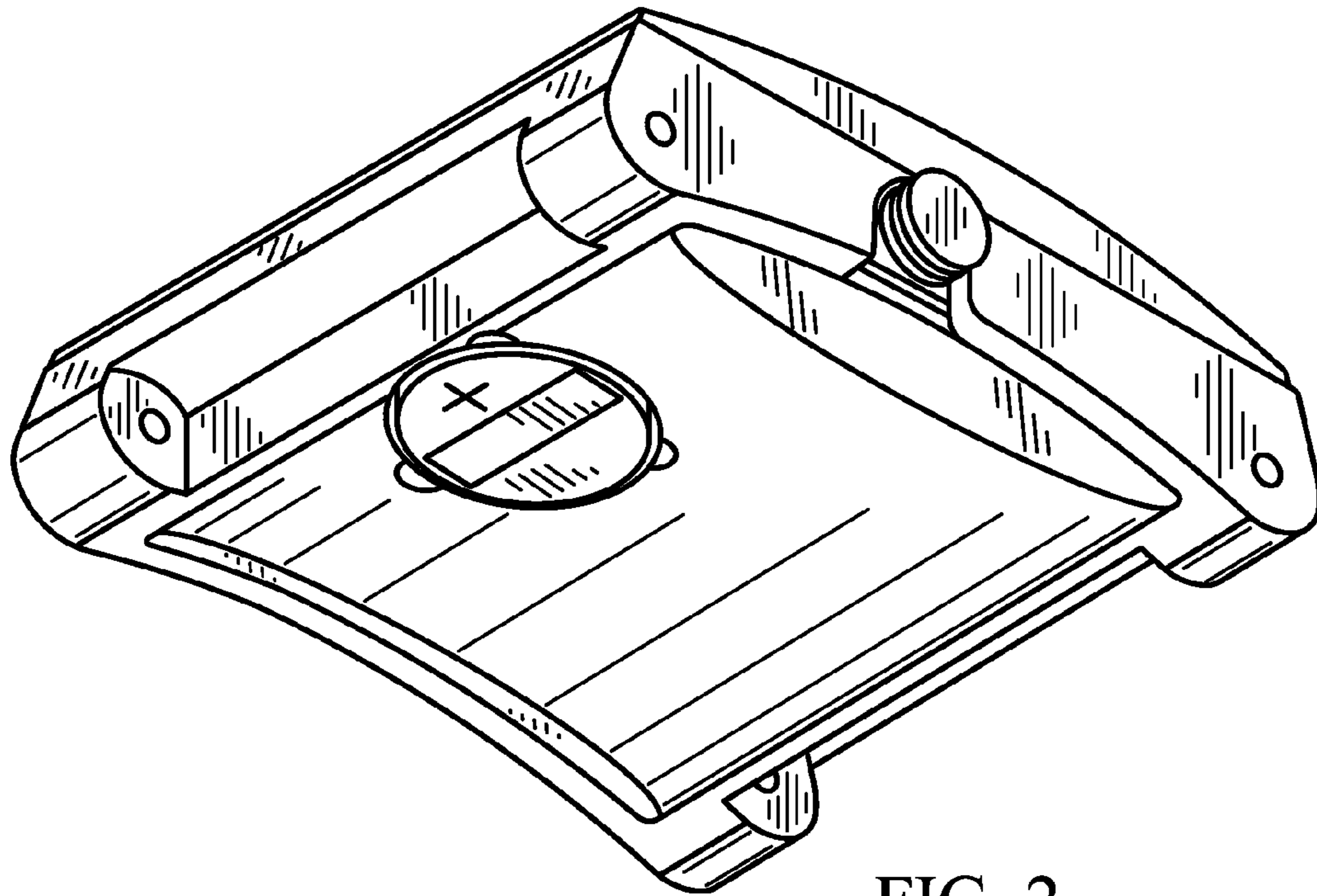


FIG. 2

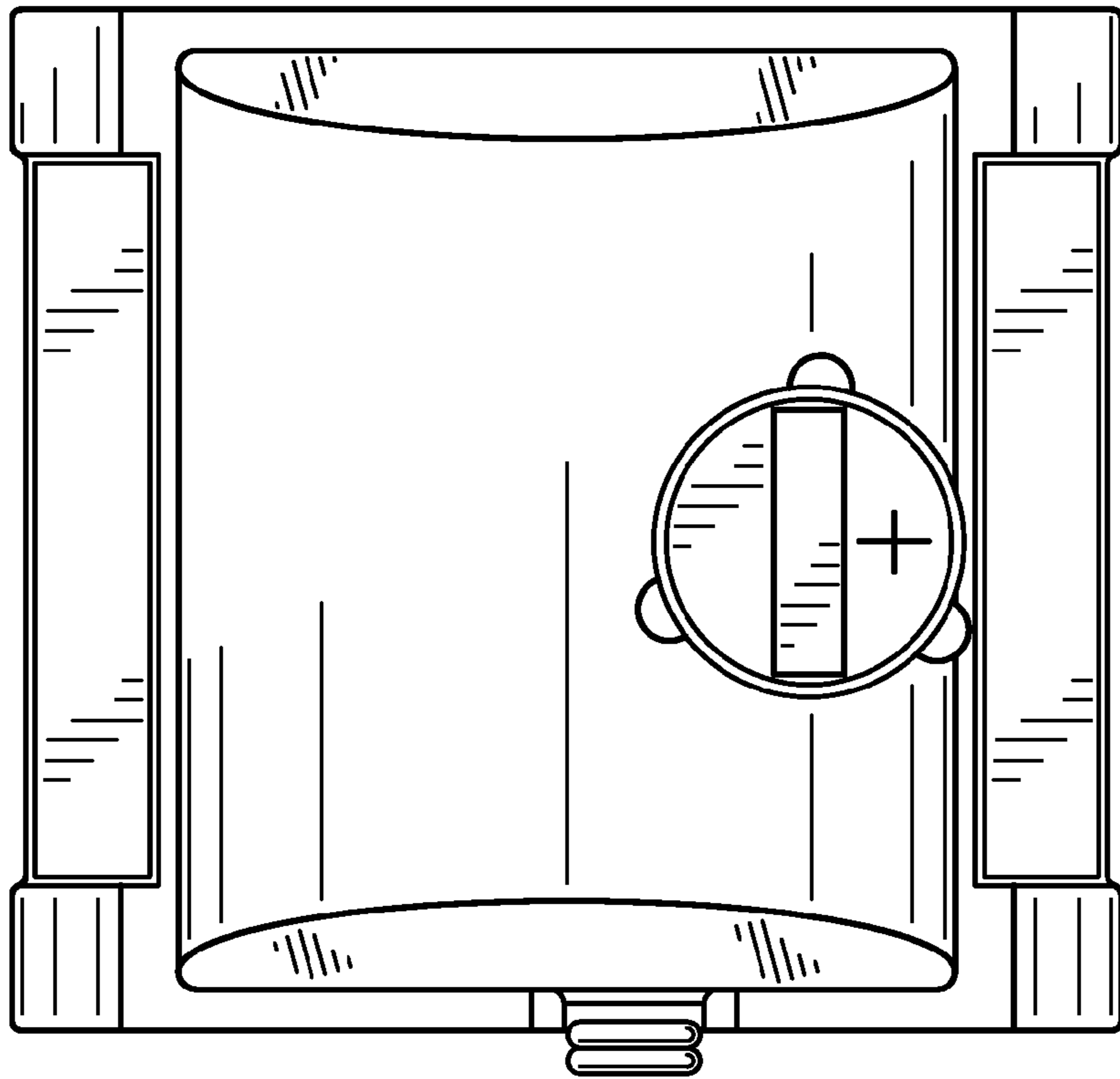


FIG. 4

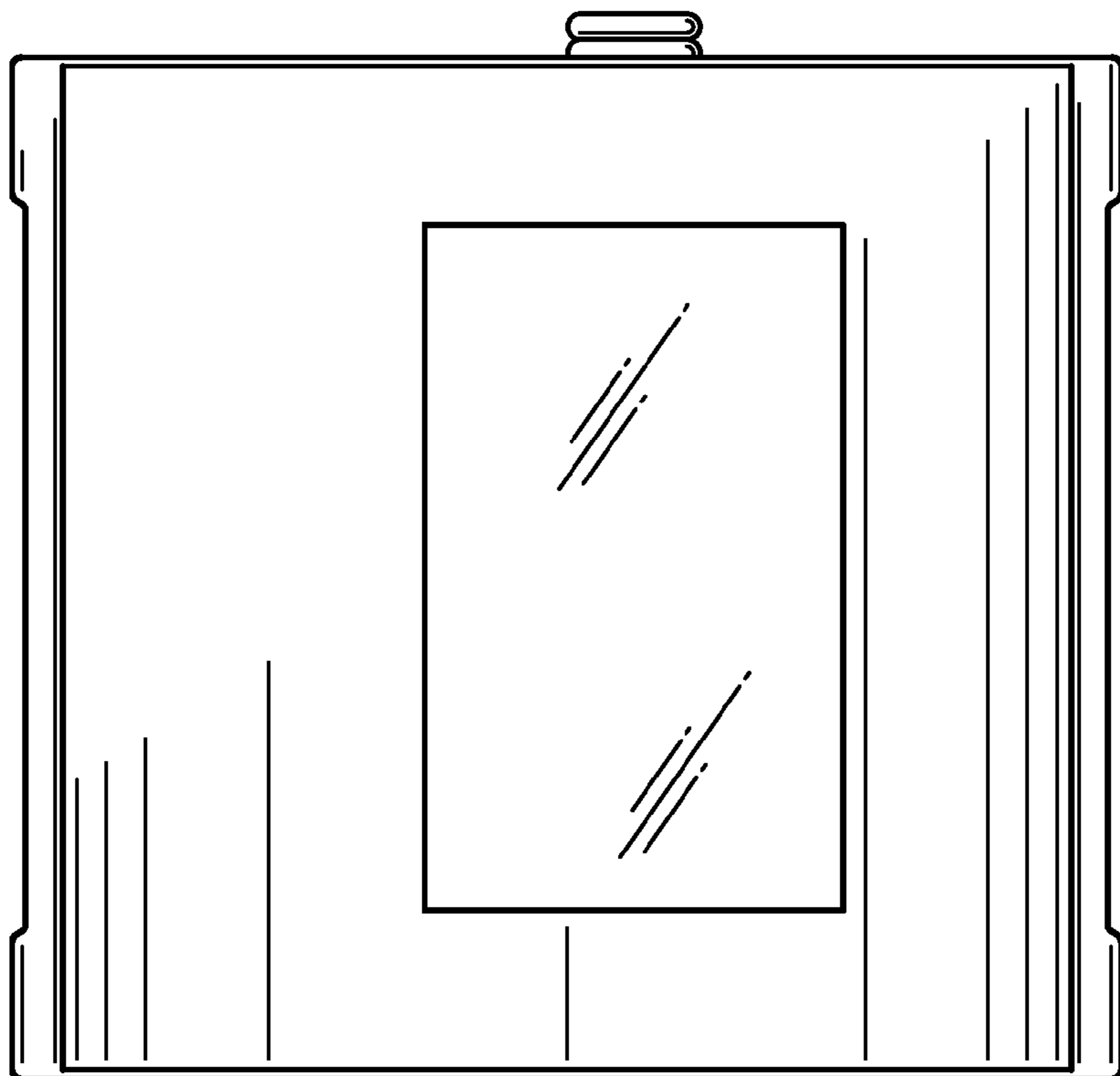


FIG. 3

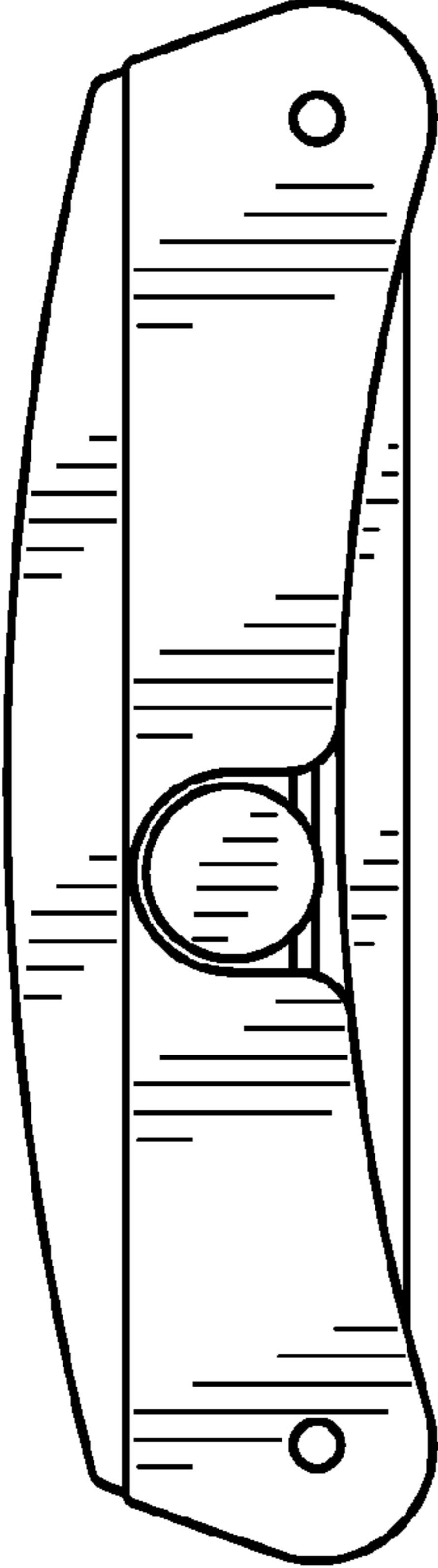


FIG. 5

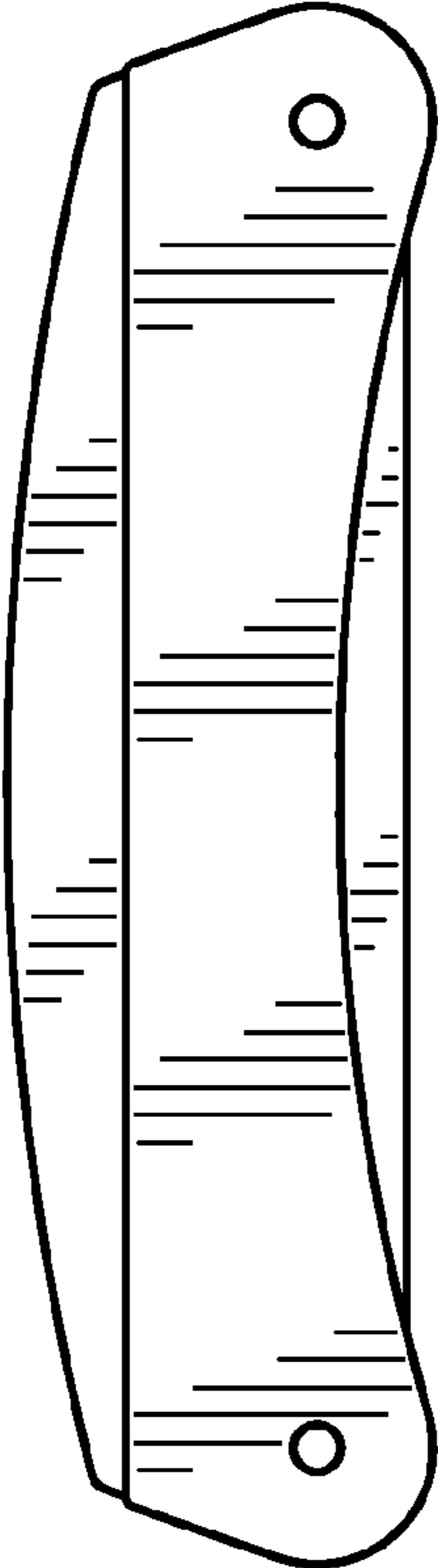


FIG. 6

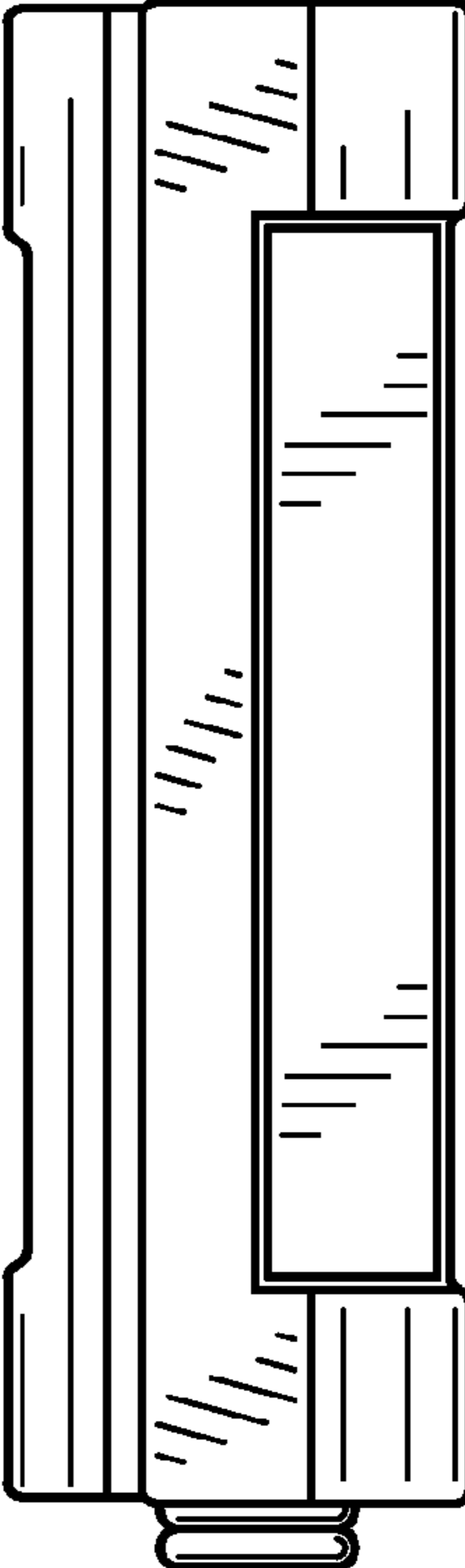


FIG. 7

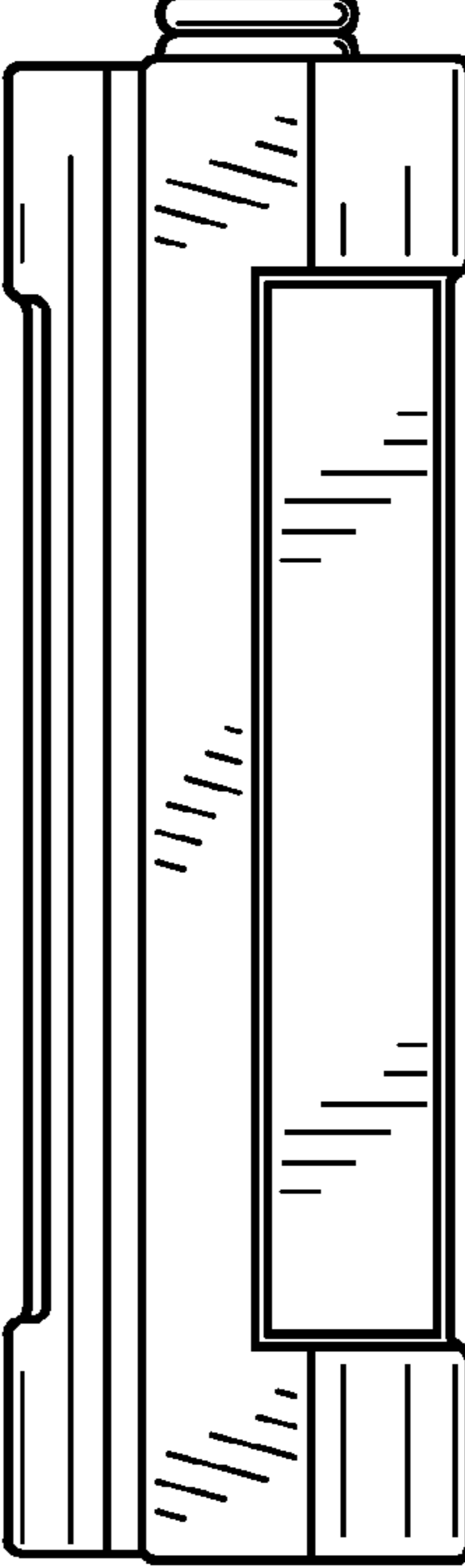


FIG. 8