



US00D558054S

(12) **United States Design Patent**  
**Melrose et al.**

(10) **Patent No.:** **US D558,054 S**

(45) **Date of Patent:** **\*\* Dec. 25, 2007**

(54) **CONTAINER**

(75) Inventors: **David Murray Melrose**, 90 Balmoral Rd., Mt Eden, Auckland (NZ); **Campbell Melrose-Allen**, Auckland (NZ); **Tania Maria Robinson**, Waitakerei (NZ); **Andrew Candy**, Auckland (NZ)

(73) Assignee: **David Murray Melrose**, Mt. Eden, Auckland (NZ)

(\*\*) Term: **14 Years**

(21) Appl. No.: **29/240,507**

(22) Filed: **Oct. 12, 2005**

(51) **LOC (8) Cl.** ..... **09-01**

(52) **U.S. Cl.** ..... **D9/549**

(58) **Field of Classification Search** ..... D9/500,  
D9/502–503, 516, 530, 537–539, 551; 215/379,  
215/381, 382–383; 220/660, 669, 675  
See application file for complete search history.

(56) **References Cited**

**U.S. PATENT DOCUMENTS**

3,823,032 A \* 7/1974 Ukai ..... 215/12.2

(Continued)

**FOREIGN PATENT DOCUMENTS**

GB 3009297 \* 1/2003  
WO DM/055635 \* 5/2000  
WO DM/059325 \* 12/2001  
WO DM/059693 \* 2/2002

**OTHER PUBLICATIONS**

Packaging Magazine, Winning Wines Shape Up (one sheet), Packaging Magazine, Jun. 24, 2004, vol. 7, Issue 12, United Kingdom.

(Continued)

*Primary Examiner*—Ian Simmons

*Assistant Examiner*—Dana Sipos

(74) *Attorney, Agent, or Firm*—Henricks, Slavin & Holmes LLP

(57) **CLAIM**

The ornamental design for a container, as shown and described.

**DESCRIPTION**

FIG. 1 is a front elevational view of a container showing our new design;

FIG. 2 is a right side elevational view thereof;

FIG. 3 is a left side elevational view thereof;

FIG. 4 is a rear elevational view thereof;

FIG. 5 is a top, front, right side perspective view thereof;

FIG. 6 is a bottom plan view thereof;

FIG. 7 is a front elevational view thereof, lined for cross-sectional drawing views;

FIG. 8 is a cross sectional view taken along the line 8—8 in FIG. 7;

FIG. 9 is a cross sectional view taken along the line 9—9 in FIG. 7;

FIG. 10 is a cross sectional view taken along the line 10—10 in FIG. 7;

FIG. 11 is a cross sectional view taken along the line 11—11 in FIG. 7;

FIG. 12 is a front elevational view of a second embodiment of the container of FIG. 1;

FIG. 13 is a right side elevational view thereof;

FIG. 14 is a left side elevational view thereof;

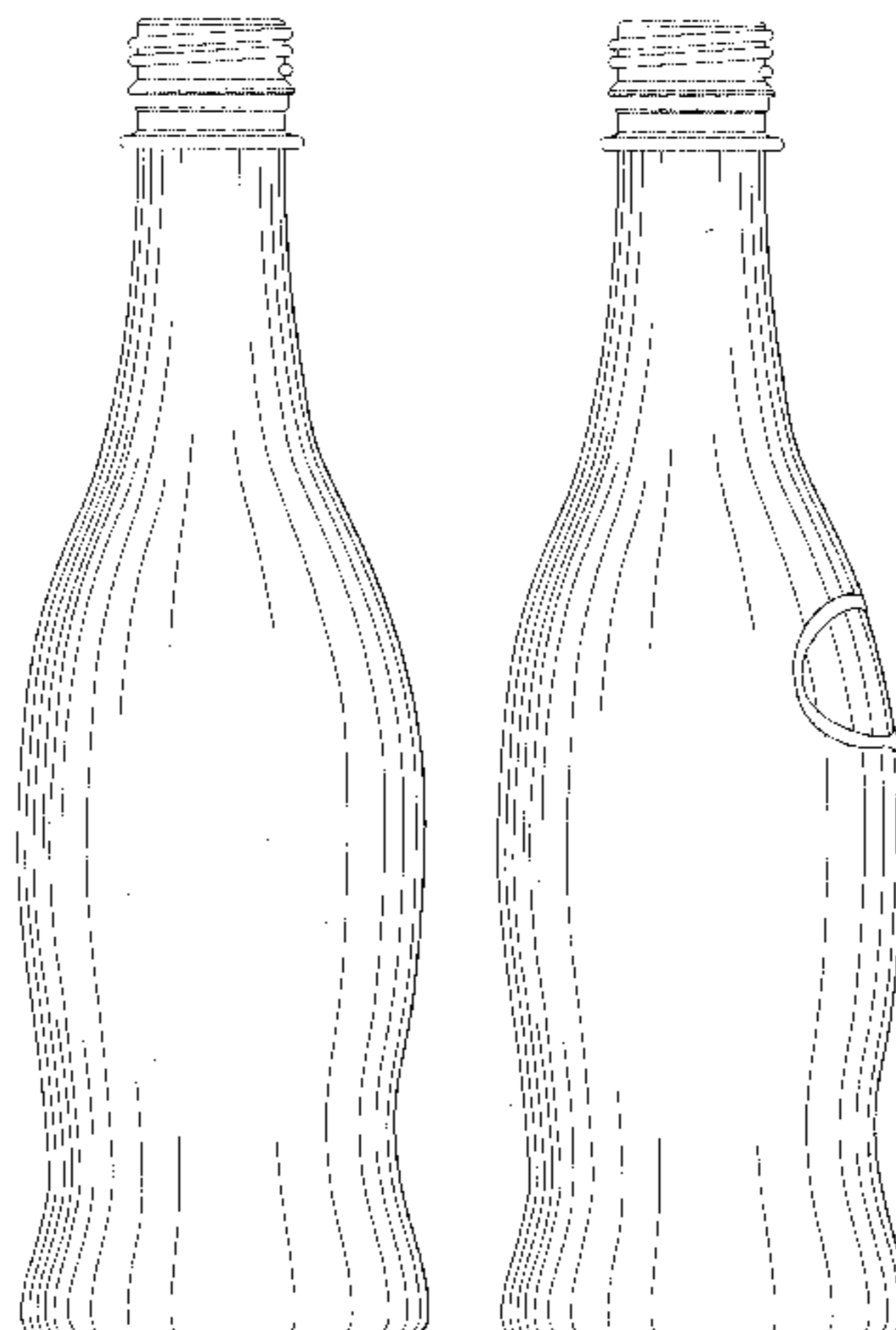
FIG. 15 is a rear elevational view thereof;

FIG. 16 is a top, front, right side perspective view thereof; and,

FIG. 17 is a bottom plan view thereof.

The broken lines in the drawings are for illustrative purposes only and form no part of the claimed design. In addition, the inside of the container and the sidewall thickness shown in FIGS. 8–11 form no part of the claimed design.

**1 Claim, 14 Drawing Sheets**



# US D558,054 S

Page 2

---

## U.S. PATENT DOCUMENTS

D352,240 S \* 11/1994 Shiokawa ..... D9/523  
D352,241 S \* 11/1994 Shiokawa ..... D9/523  
D391,853 S \* 3/1998 Green et al. .... D9/500  
D404,254 S \* 1/1999 Asberg ..... D7/511  
D448,676 S \* 10/2001 Jones et al. .... D9/542  
D469,017 S \* 1/2003 Mauro ..... D9/522  
D472,471 S \* 4/2003 McClure et al. .... D9/539  
D499,337 S \* 12/2004 Wadalawala et al. .... D9/500

D531,513 S \* 11/2006 Brooks ..... D9/542

## OTHER PUBLICATIONS

Package Design, Coca-Cola Contour Bottle, Package Design Magazine, Sep. 1996, cover page and p. 26 (3 pages), Country Not Known.  
WAIWERA, Waiwera Infinity, Design Brief, 2006, p. 2, showing 1875 Waiwera bottle.

\* cited by examiner

FIG. 1

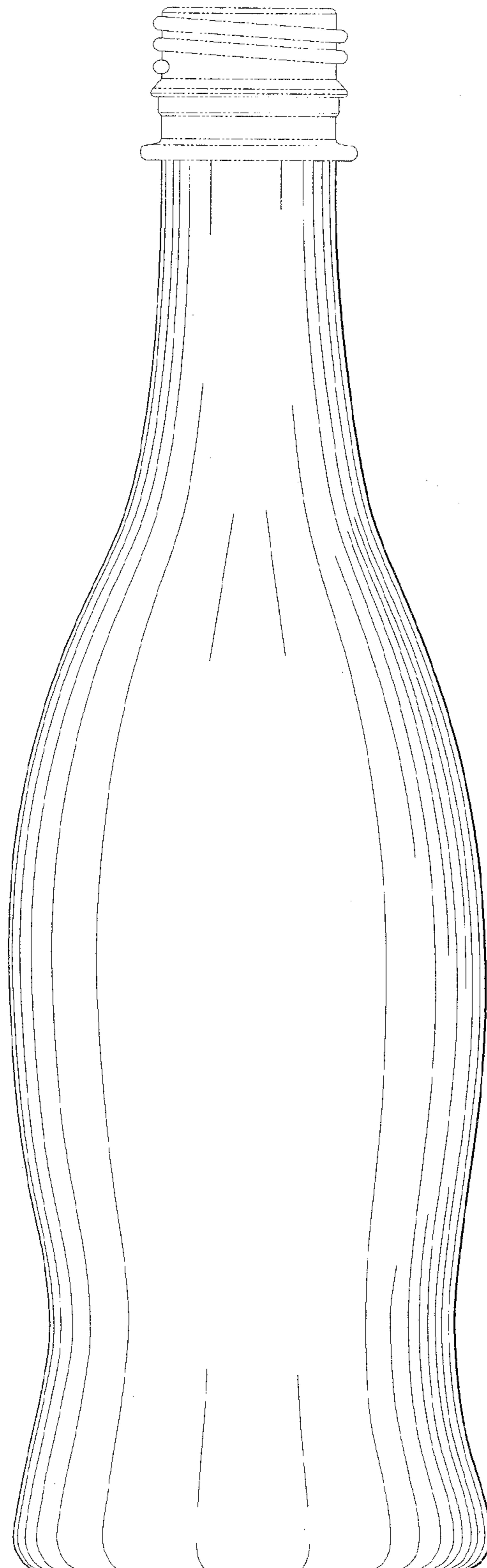


FIG. 2

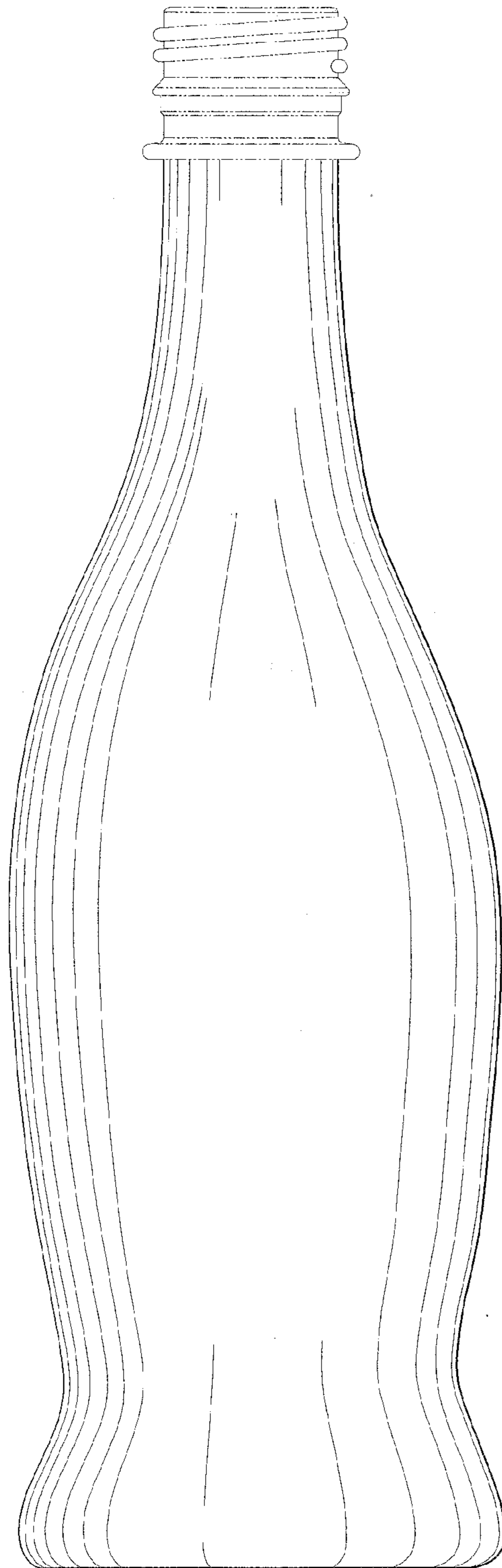


FIG. 3

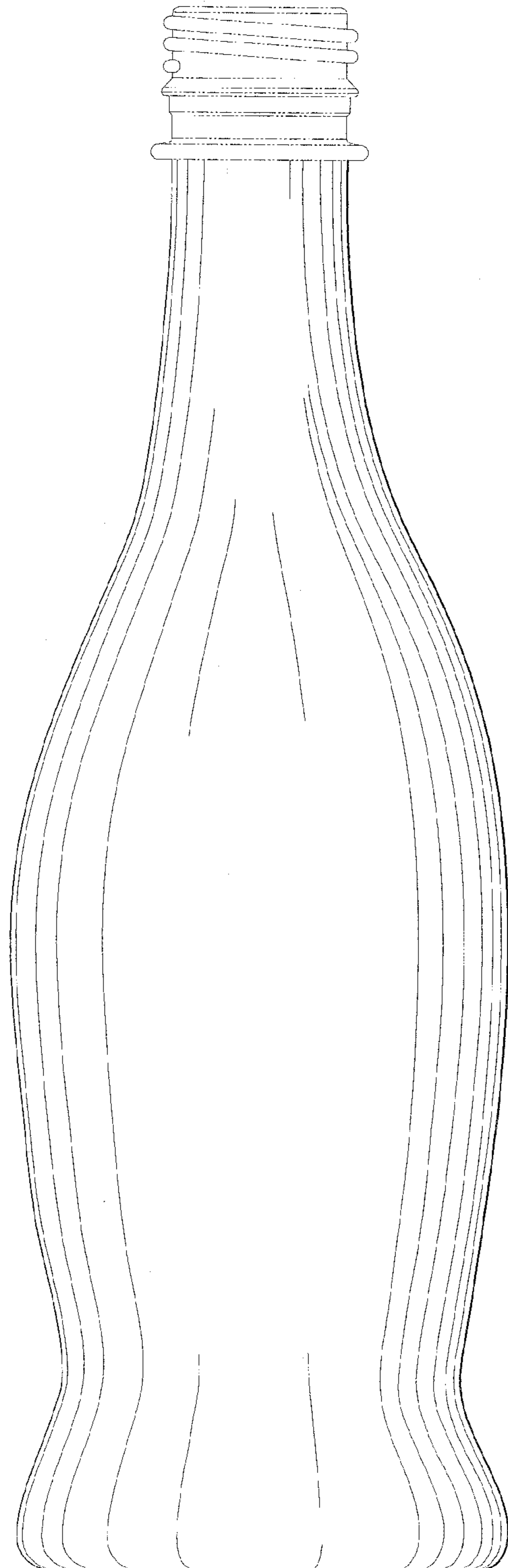


FIG. 4

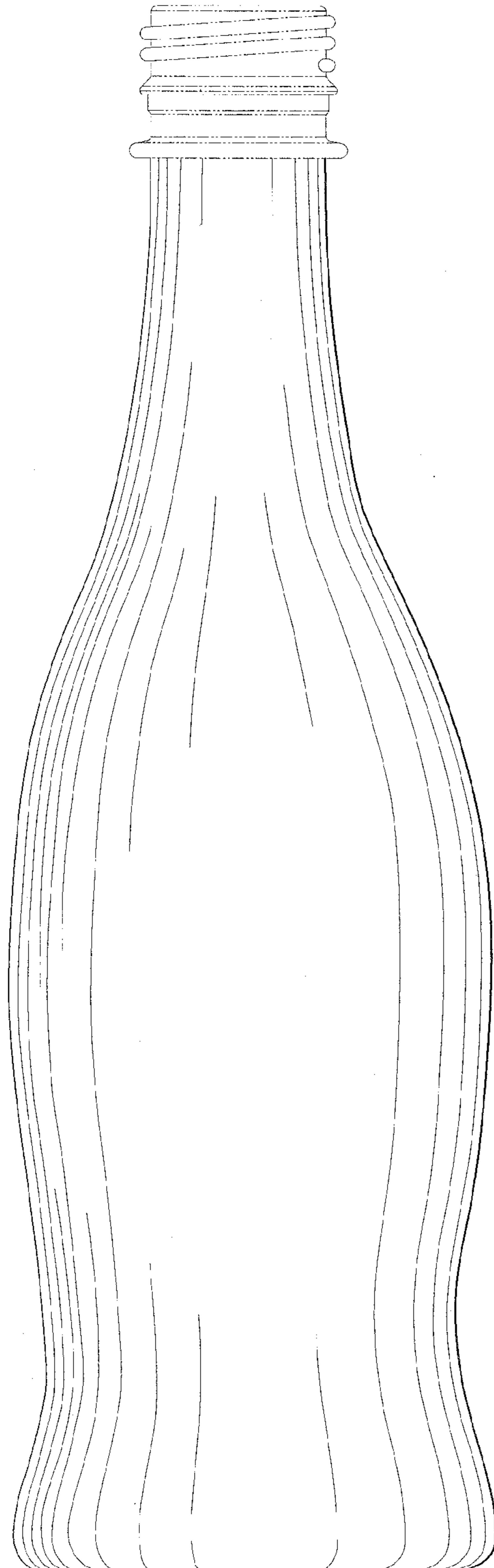
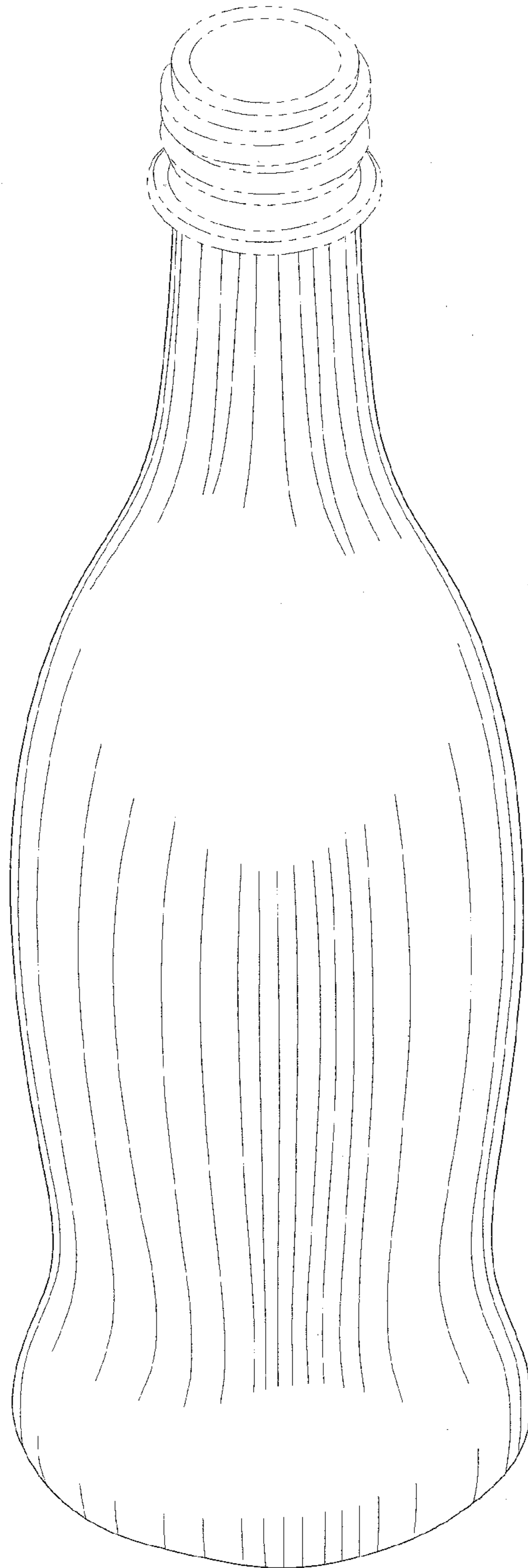


FIG. 5



*FIG. 6*

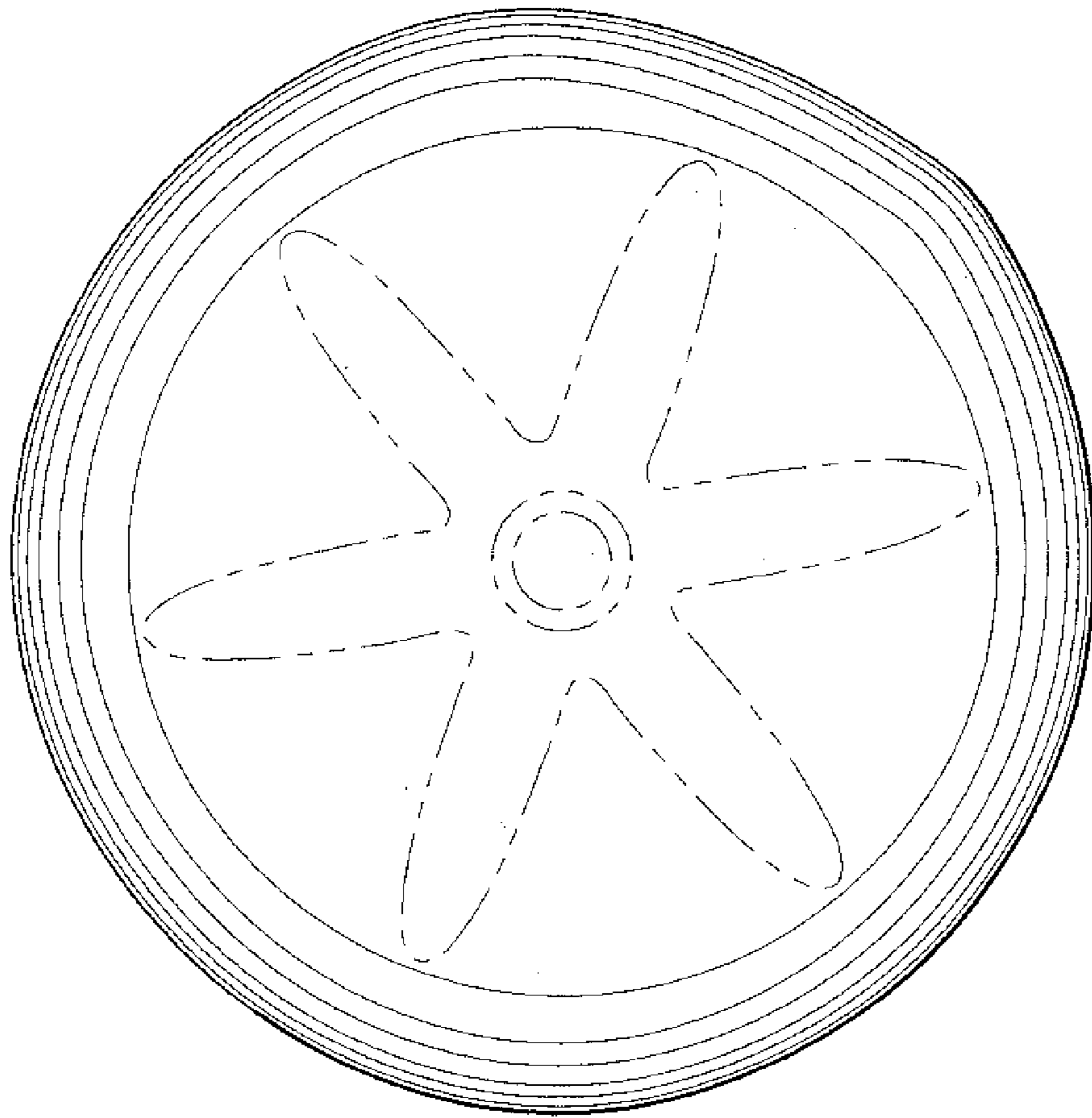
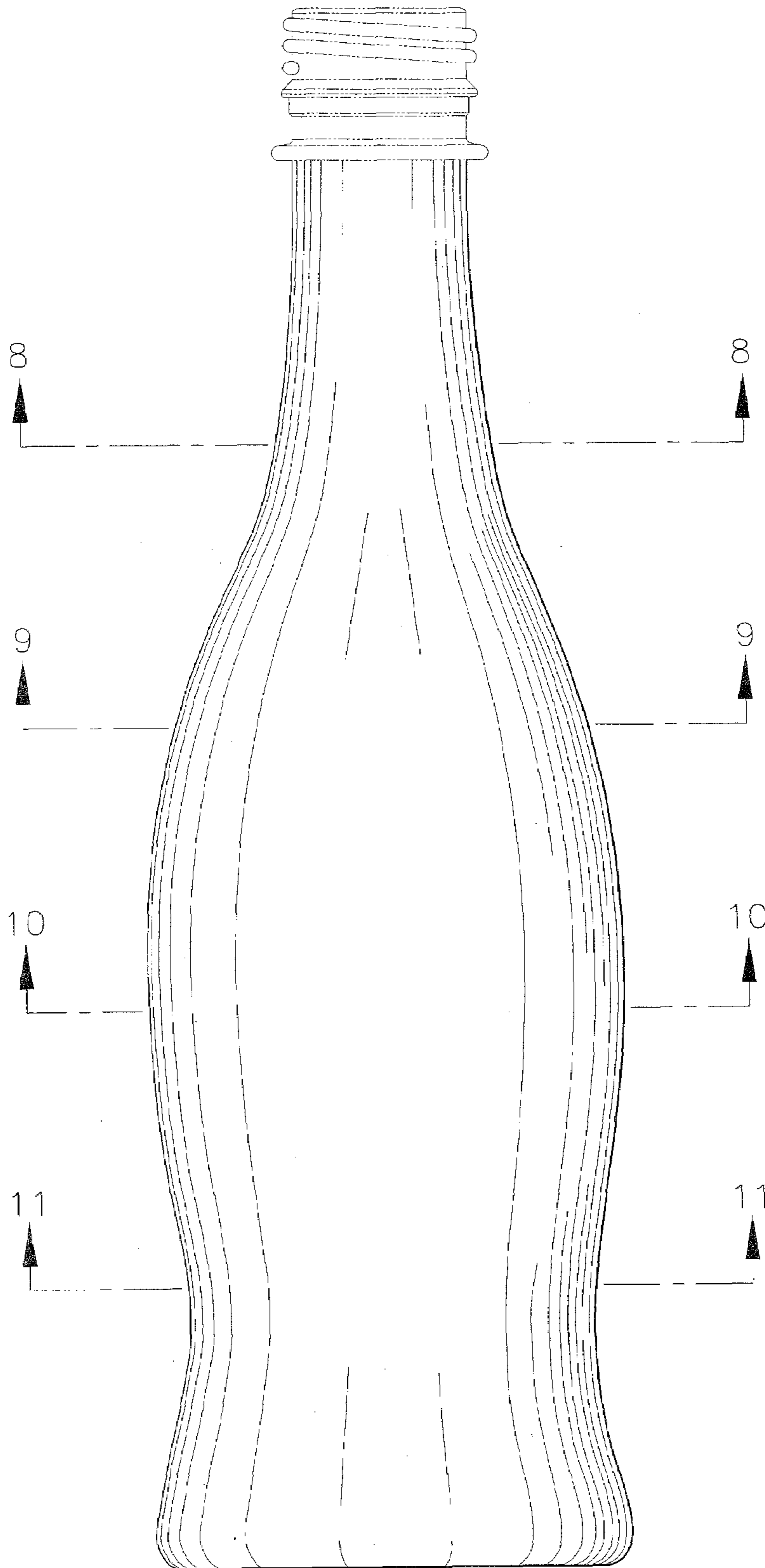




FIG. 7



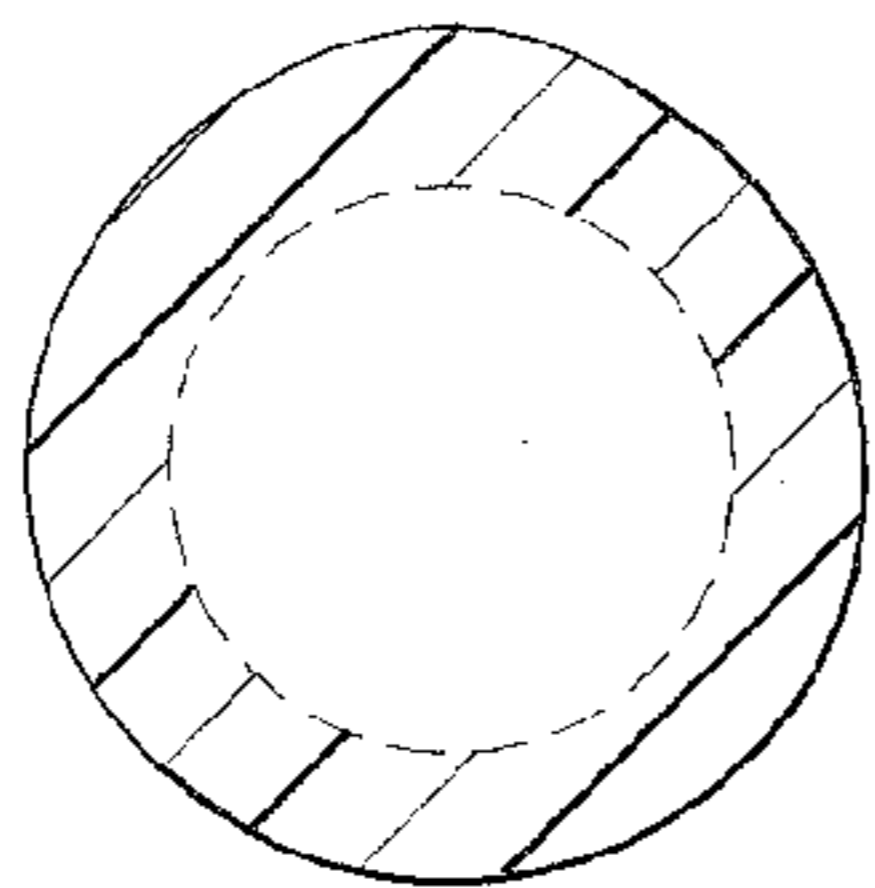


FIG. 8

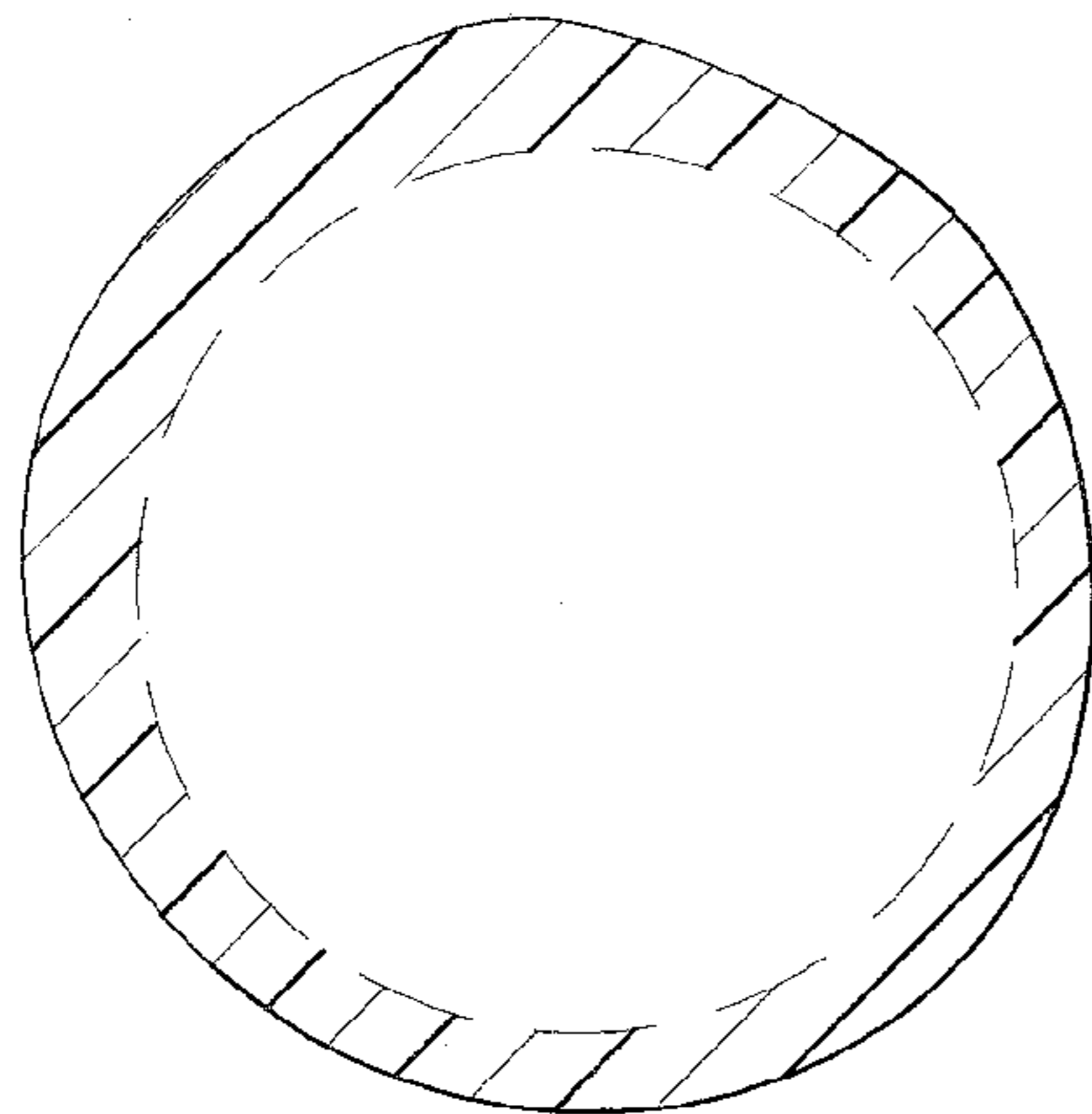


FIG. 9

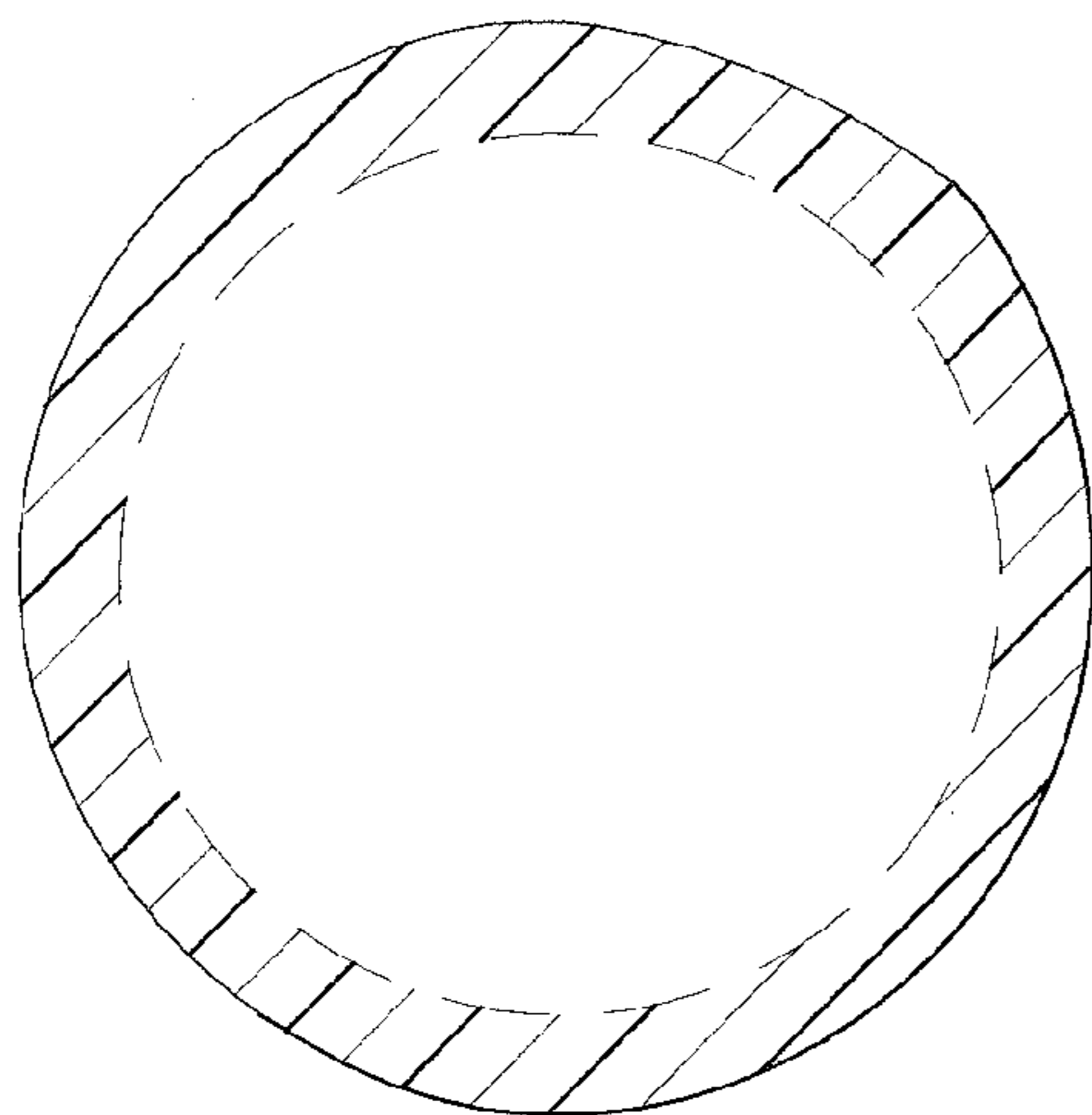


FIG. 10

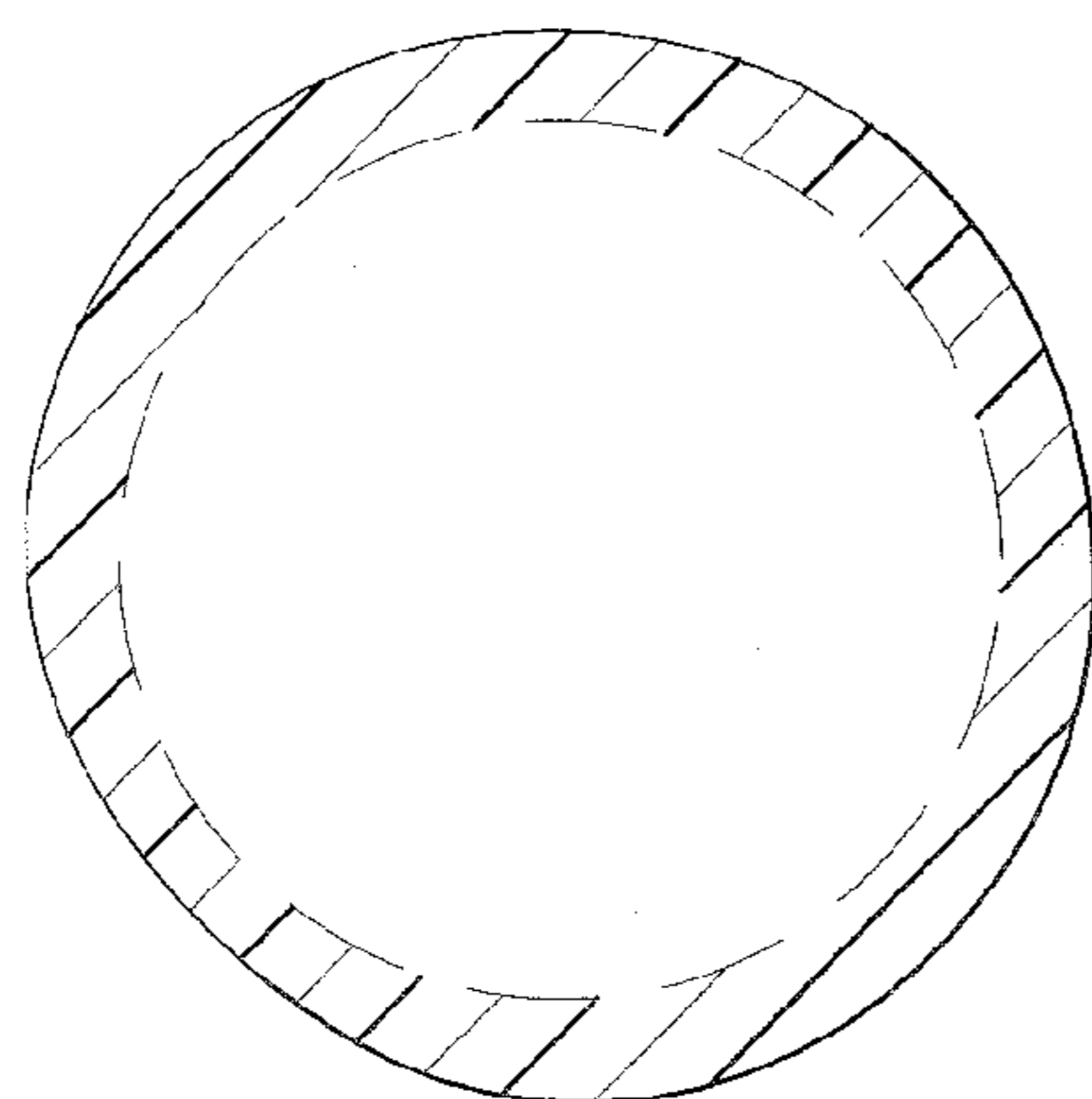
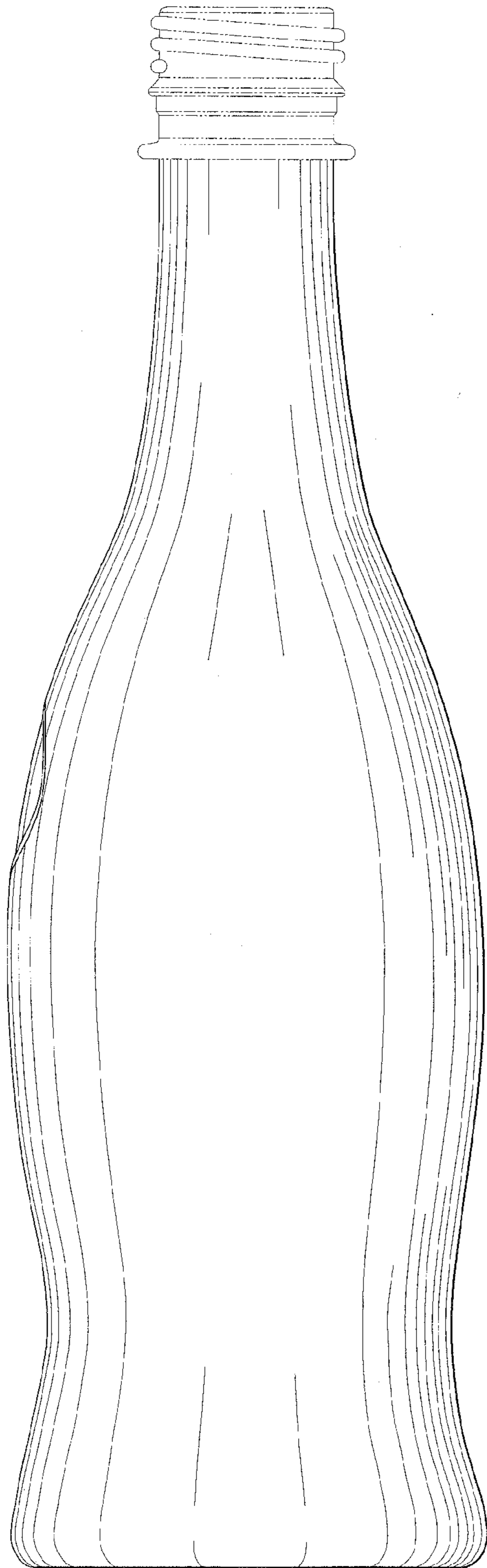


FIG. 11

FIG. 12



*FIG. 13*

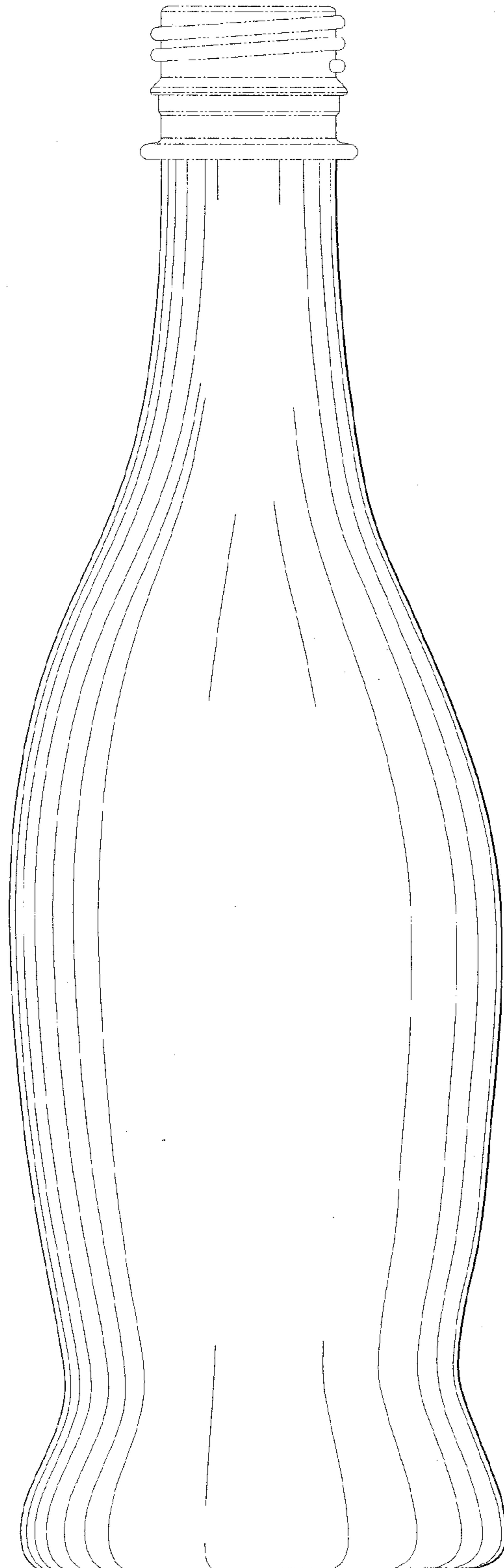


FIG. 14

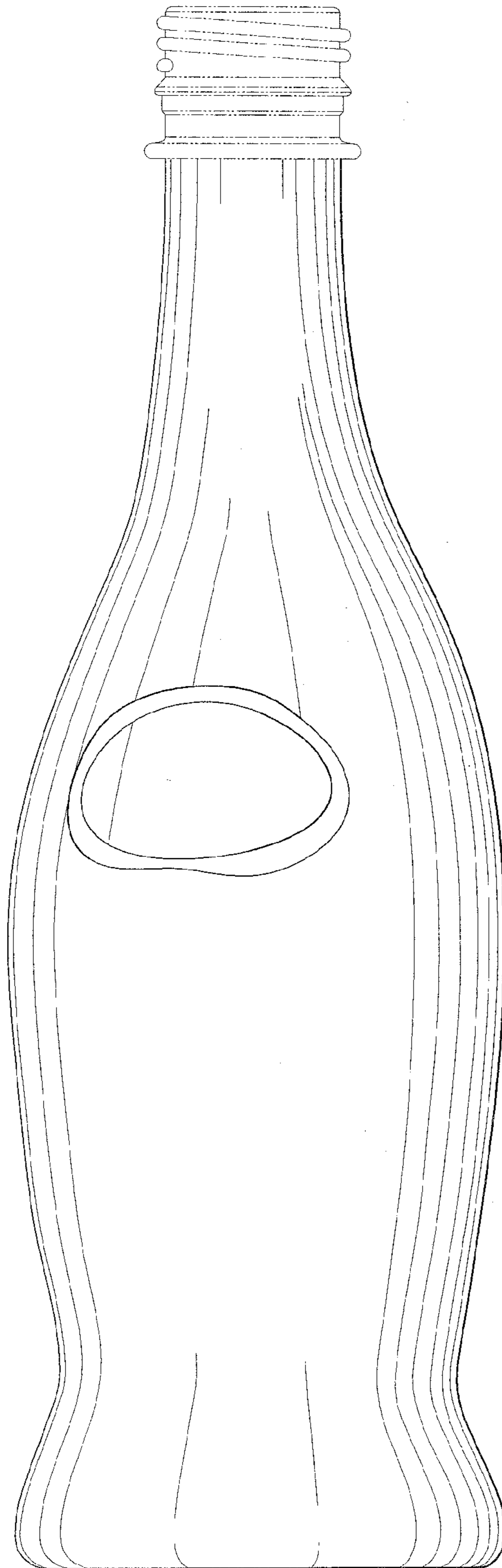
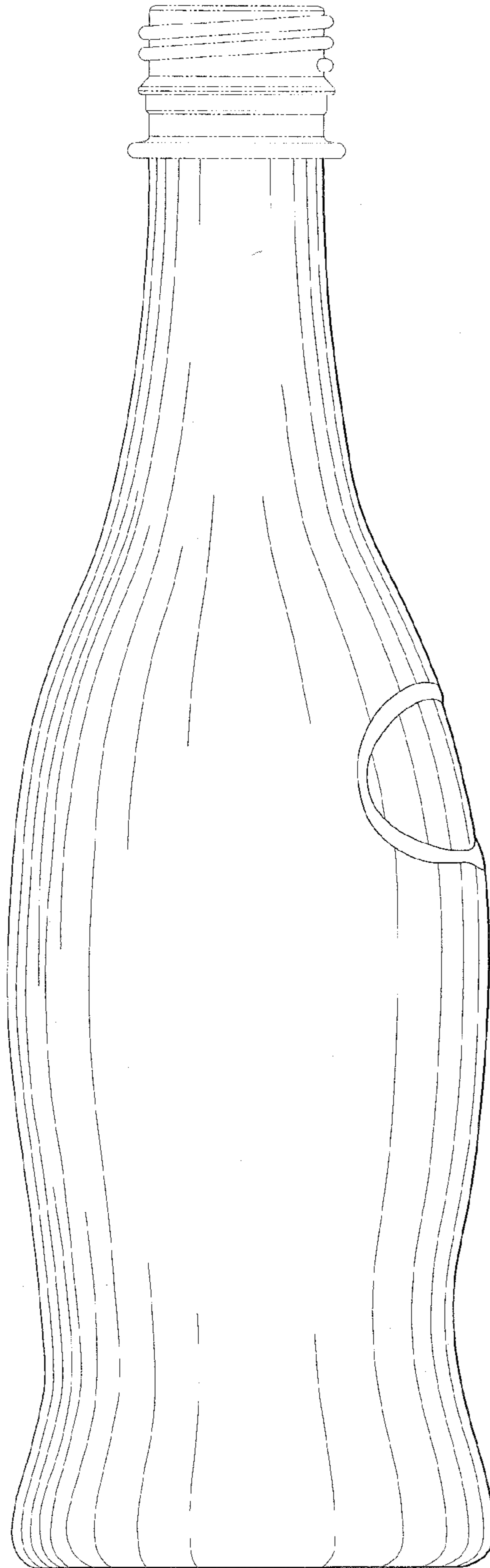
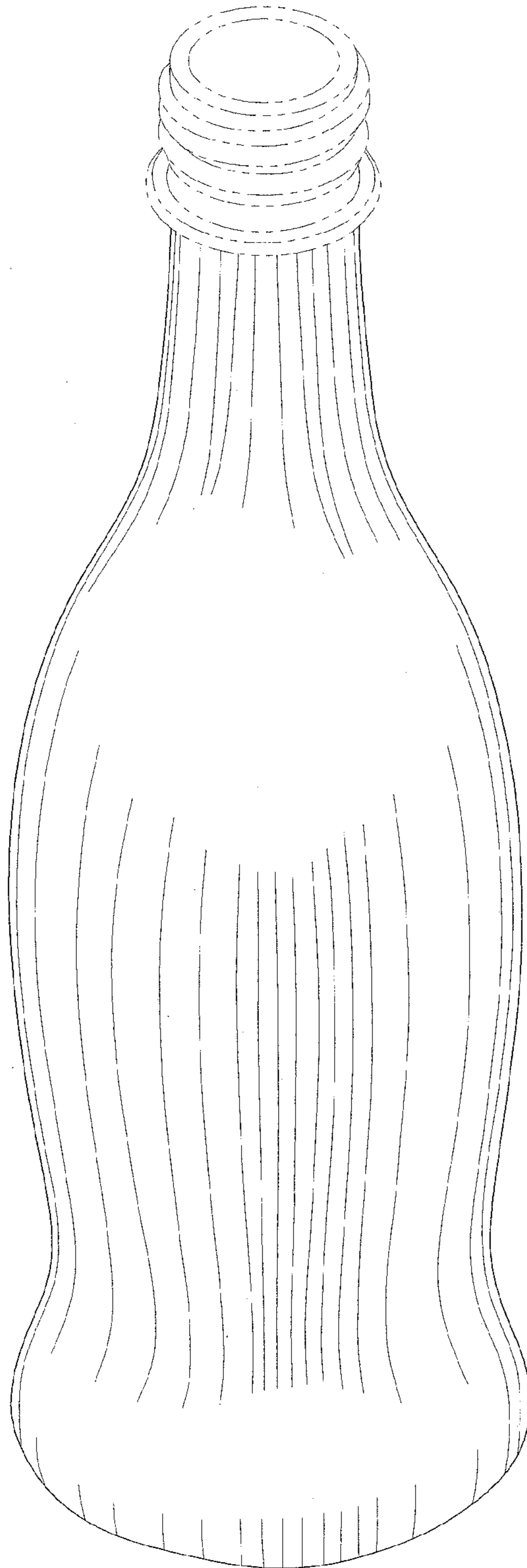


FIG. 15



*FIG. 16*



*FIG. 17*

