



US00D558048S

(12) **United States Design Patent**
Perkitny

(10) **Patent No.:** **US D558,048 S**

(45) **Date of Patent:** **** Dec. 25, 2007**

(54) **SPOOL FOR BAGS**

(76) Inventor: **Jerzy Perkitny**, 17810 Lake Rd.,
Lakewood, OH (US) 44107

(**) Term: **14 Years**

(21) Appl. No.: **29/240,338**

(22) Filed: **Oct. 12, 2005**

(51) **LOC (8) Cl.** **09-07**

(52) **U.S. Cl.** **D9/434**

(58) **Field of Classification Search** D9/456,
D9/455, 434; D8/397, 399, 8; 81/121.1;
411/962, 961, 431, 427

See application file for complete search history.

(56) **References Cited**

U.S. PATENT DOCUMENTS

D56,847	S *	1/1921	Armstrong	D8/399
D140,317	S *	2/1945	Allen	D8/397
2,394,808	A *	2/1946	Rohr	81/176.1
3,354,757	A *	11/1967	Grimm et al.	81/176.1
4,063,472	A *	12/1977	MacIntyre et al.	81/176.1
5,797,659	A *	8/1998	Fuller	301/35.623
6,158,310	A *	12/2000	Goss et al.	81/121.1
D446,111	S *	8/2001	Hussaini	D8/397
D450,235	S *	11/2001	Shinjo et al.	D8/397
D453,000	S *	1/2002	Shinjo et al.	D8/397
D457,054	S *	5/2002	Pamer et al.	D8/397
D509,134	S *	9/2005	Maeno	D9/434
7,000,505	B2 *	2/2006	Hsien	81/121.1
2005/0109166	A1 *	5/2005	Hsien	81/121.1
2006/0090610	A1 *	5/2006	Liao	81/121.1

* cited by examiner

Primary Examiner—Gary D. Watson

Assistant Examiner—Susan Bennett Hattan

(74) *Attorney, Agent, or Firm*—Fay Sharpe LLP

(57) **CLAIM**

The ornamental design for a spool for bags, as shown and described.

DESCRIPTION

FIG. 1 is a perspective view of a spool for bags showing a first embodiment of my new design;

FIG. 2 is a front elevational view thereof, with a rear elevational view being a mirror image thereof;

FIG. 3 is a side elevational view thereof, with the opposite side view being a mirror image thereof; and,

FIG. 4 is a right end elevational view thereof;

FIG. 5 is a left end elevational view thereof;

FIG. 6 is a perspective view of a spool for bags showing a second embodiment of my new design;

FIG. 7 is a front elevational view thereof, with a rear elevational view being a mirror image thereof;

FIG. 8 is a side elevational view thereof, with the opposite side view being a mirror image thereof;

FIG. 9 is a right end elevational view thereof; and,

FIG. 10 is a left end elevational view thereof.

The broken lines in the drawings are for illustrative purposes only and form no part of the claimed design.

1 Claim, 4 Drawing Sheets

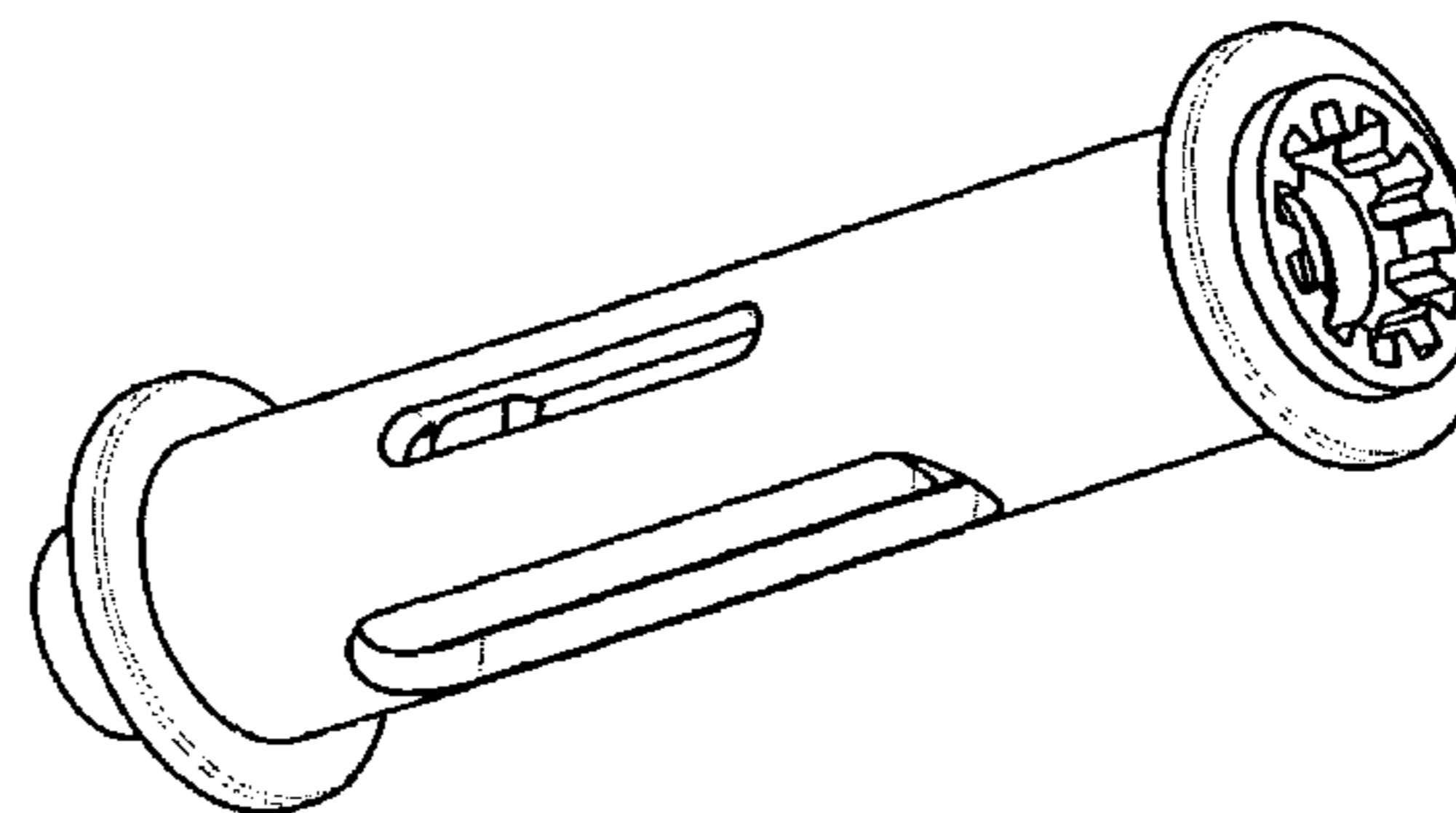
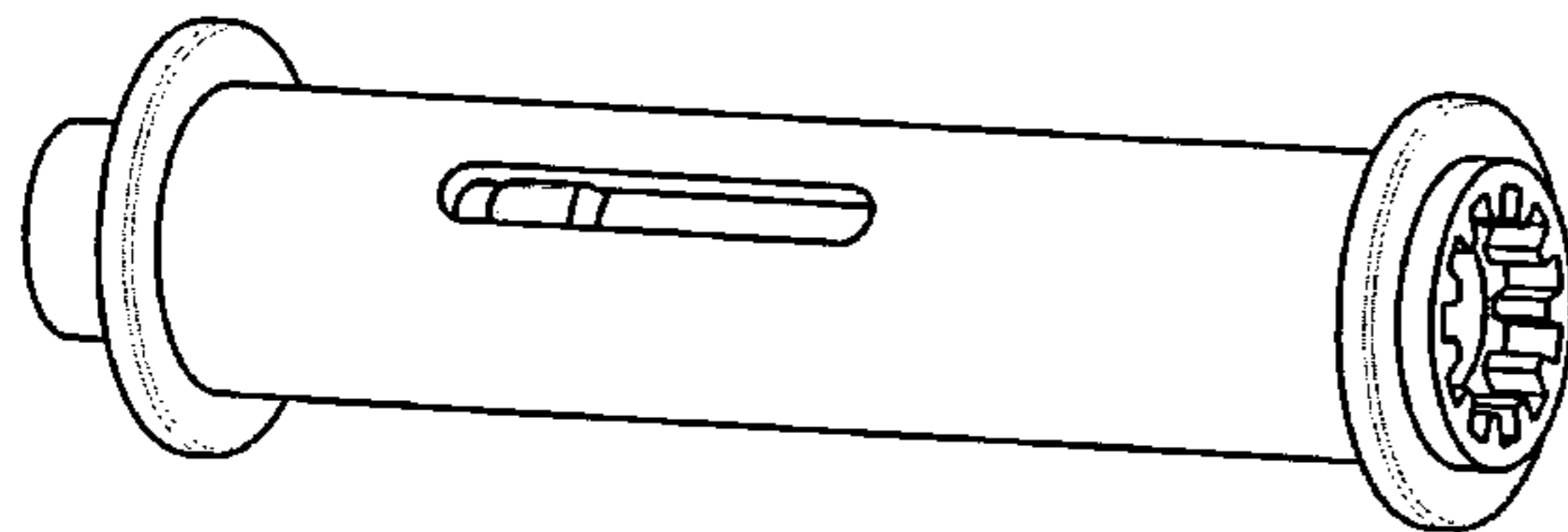


FIG. 1

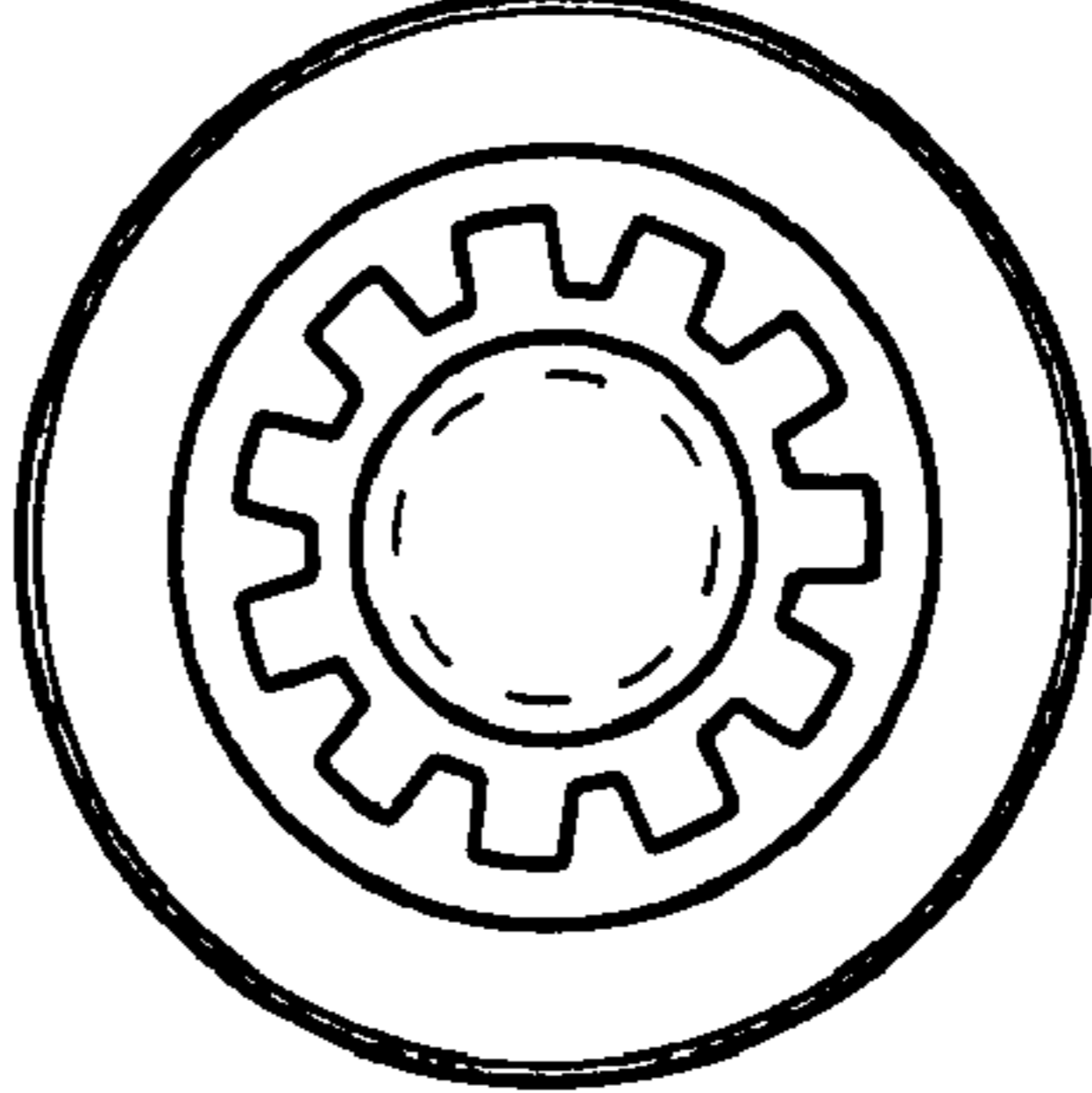
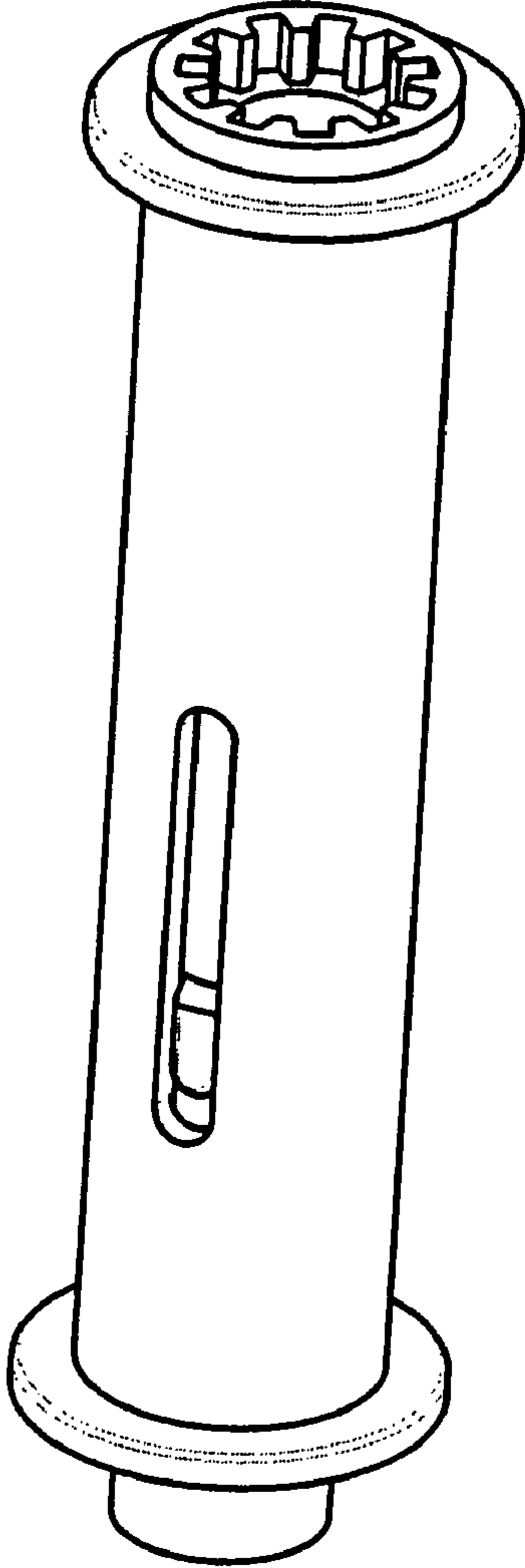


FIG. 4

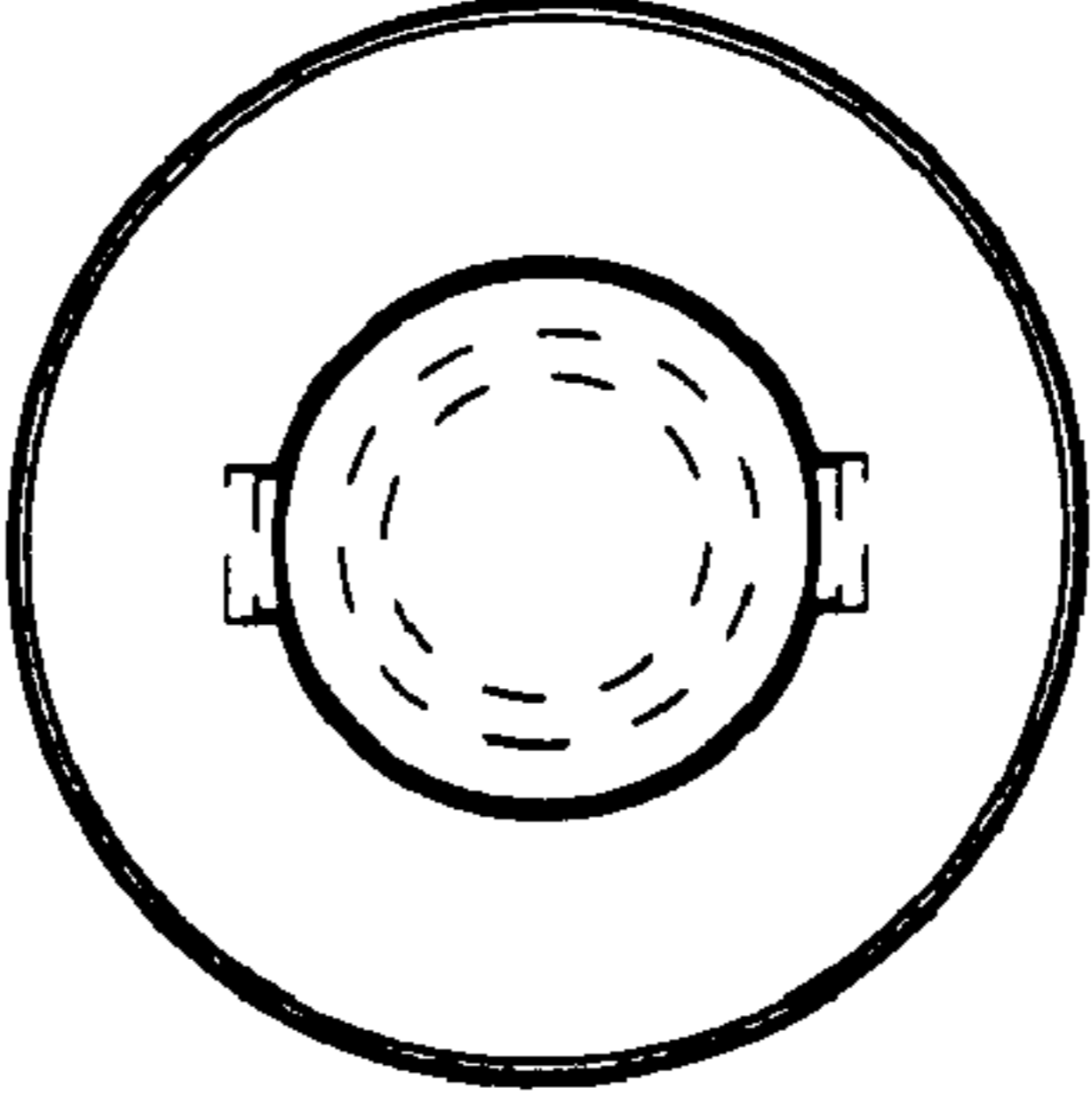


FIG. 5

FIG. 3

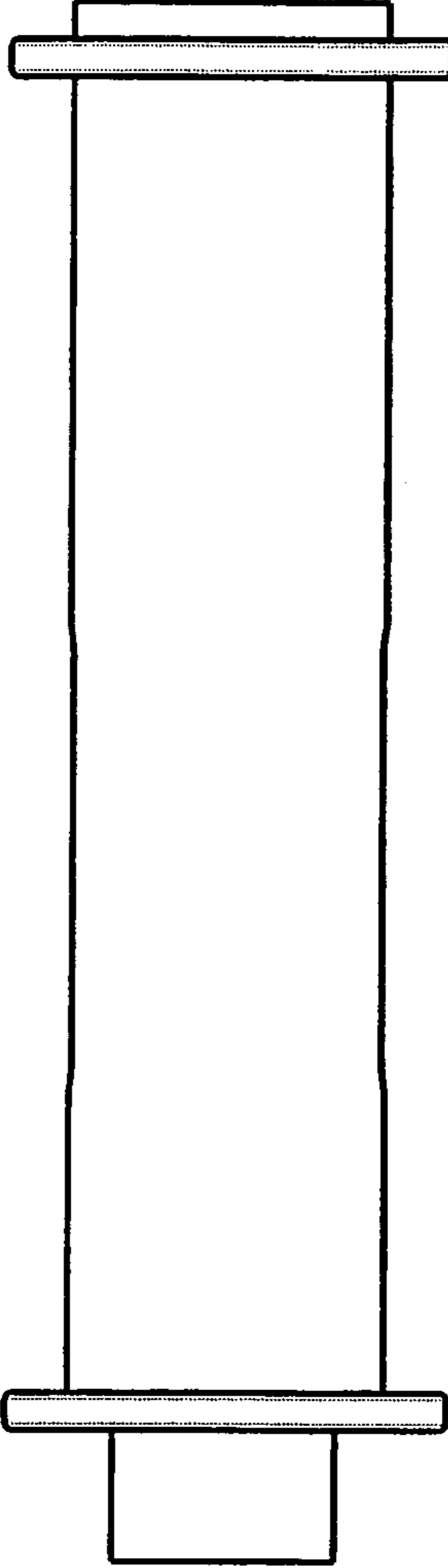


FIG. 2

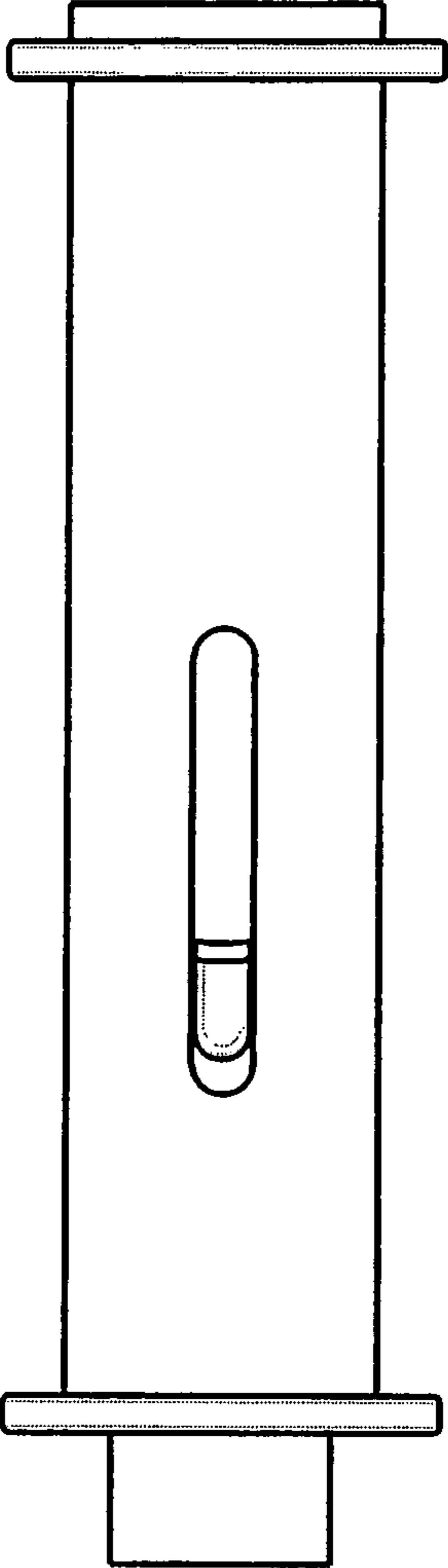


FIG. 6

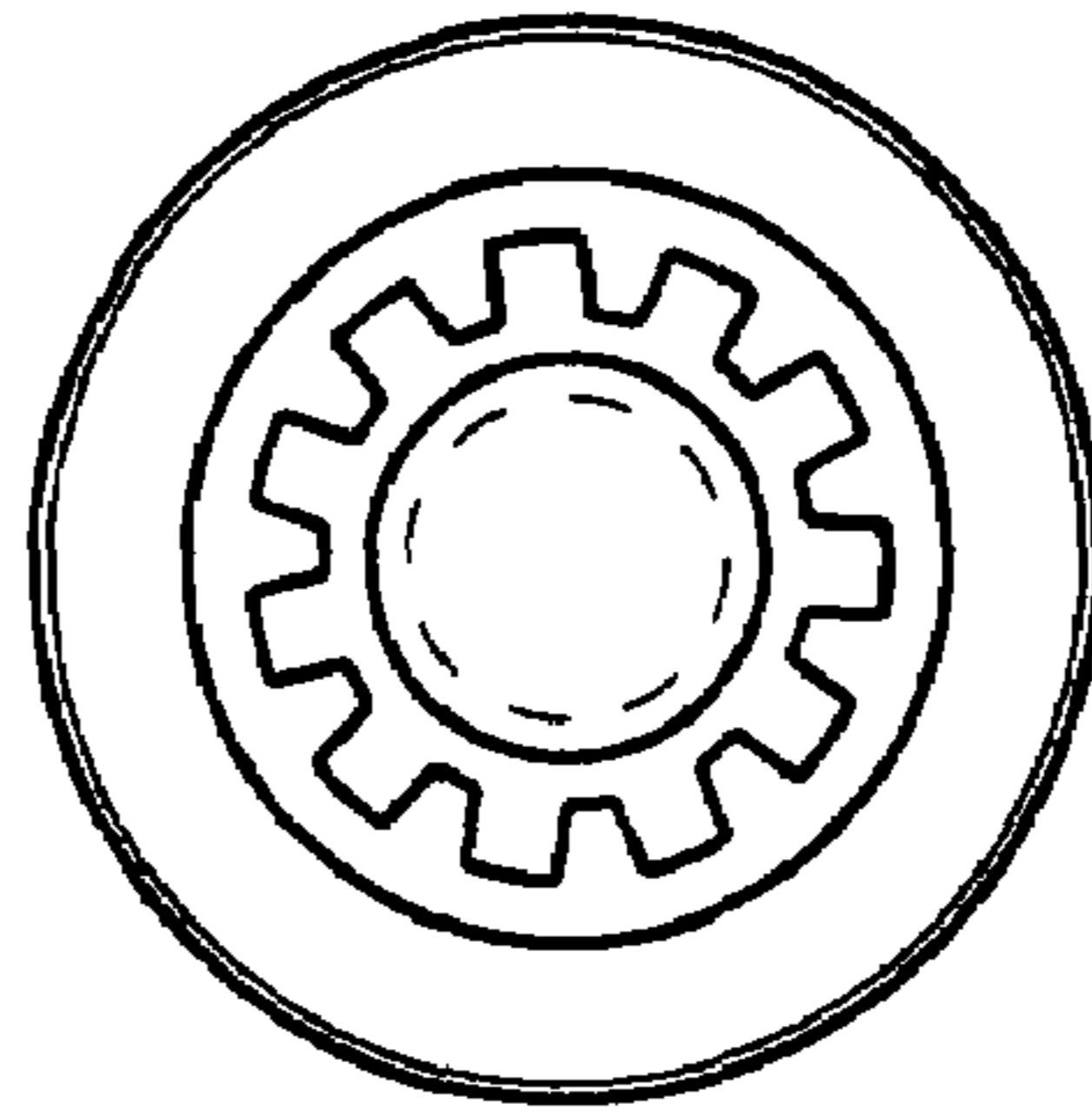
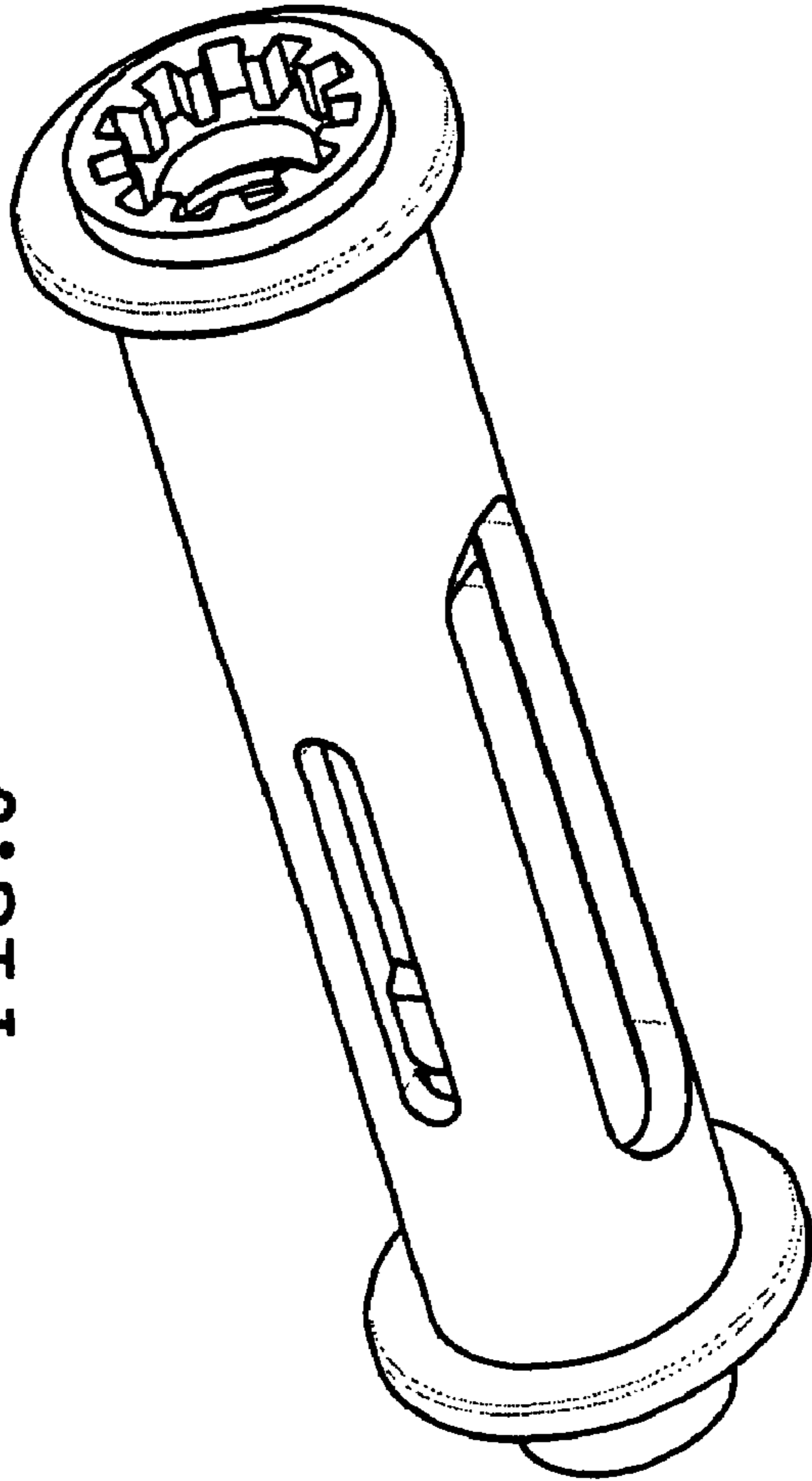


FIG. 9

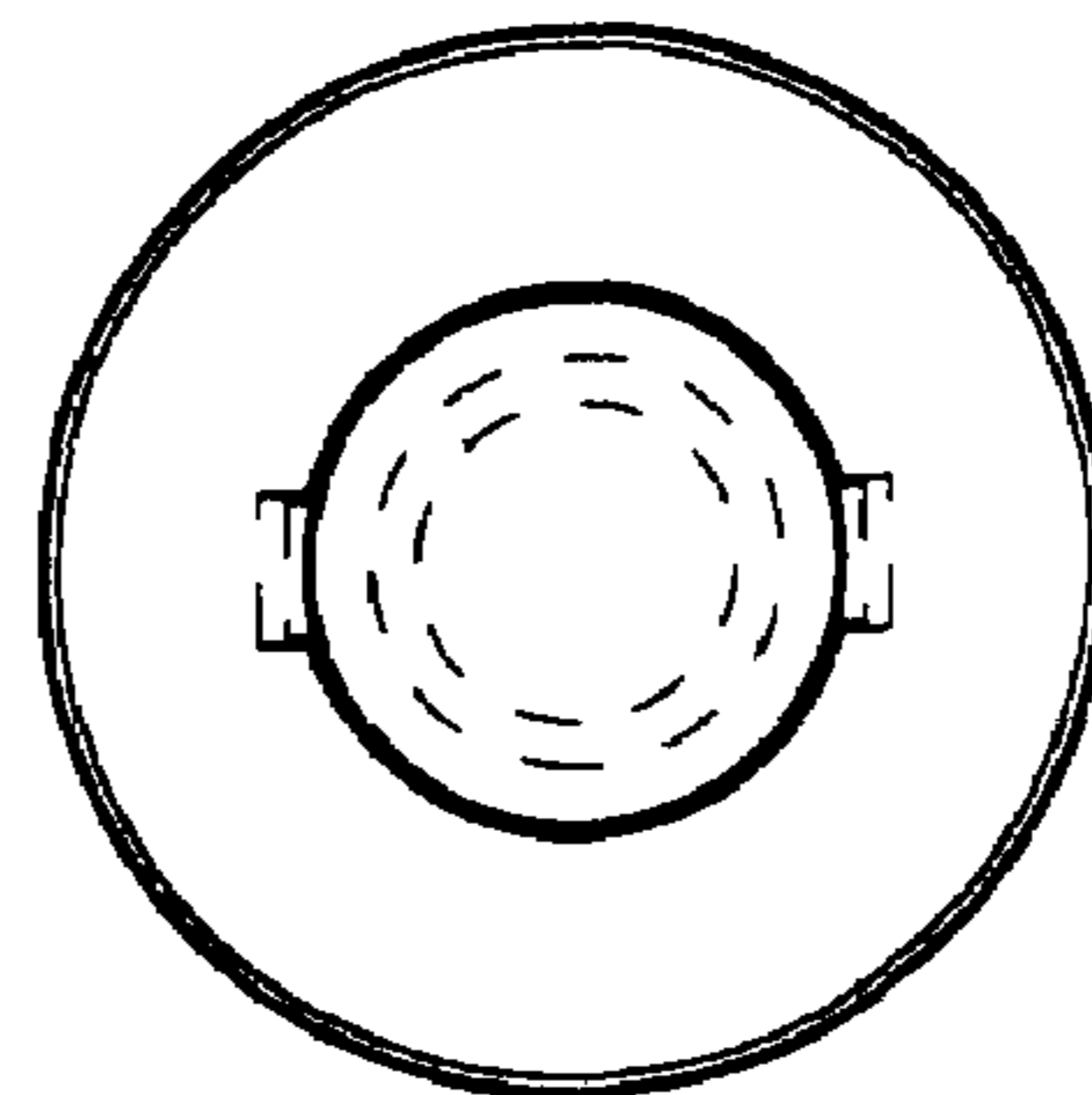


FIG. 10

FIG. 7

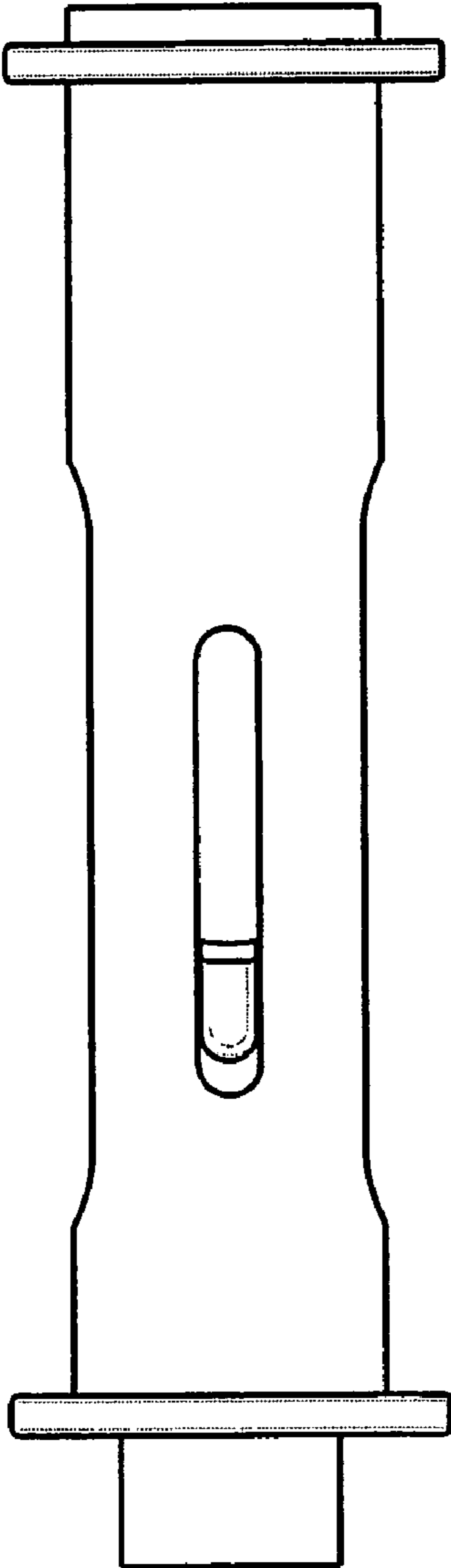


FIG. 8

