



US00D558046S

(12) **United States Design Patent**  
**Okin et al.**

(10) **Patent No.: US D558,046 S**

(45) **Date of Patent: \*\* \*Dec. 25, 2007**

(54) **CARTON FOR DISPENSING PERSONAL CARE ARTICLES**

D491,059 S \* 6/2004 Kim ..... D9/416

(75) Inventors: **Matthew Scott Okin**, Cresskill, NJ (US); **Wayne Molinare**, Simsbury, CT (US)

(73) Assignee: **Conopco, Inc.**, Englewood Cliffs, NJ (US)

(\*) Notice: This patent is subject to a terminal disclaimer.

(\*\*) Term: **14 Years**

(21) Appl. No.: **29/246,719**

(22) Filed: **May 5, 2006**

(51) **LOC (8) Cl.** ..... **09-03**

(52) **U.S. Cl.** ..... **D9/423; D9/432; D9/433**

(58) **Field of Classification Search** ..... D9/414-435, D9/438, 443, 744, 730, 733, 759; D7/590, D7/596, 598, 601, 629, 538-549; D6/512, D6/515, 518; D3/294, 273, 302, 203.2, 318; D28/4, 7, 73, 77, 85; D24/131; 220/270, 220/265.3, 15, 810, 283, 254.1-254.9, 259.1-259.5; 221/26, 33, 45; 206/528, 530; 222/92-97  
See application file for complete search history.

(56) **References Cited**

**U.S. PATENT DOCUMENTS**

4,458,810 A \* 7/1984 Mahoney ..... 206/210  
5,145,091 A \* 9/1992 Meyers ..... 221/45  
D465,685 S \* 11/2002 Dellerman et al. .... D9/435  
6,488,175 B2 \* 12/2002 Shiffler et al. .... 221/47

**OTHER PUBLICATIONS**

Co-Pending U.S. Appl. No. 29/246,718; Applicant: Okin et al.; filed May 5, 2006; For: Carton for Dispensing Personal Care Articles.  
Co-Pending U.S. Appl. No. 11/381,776; Molinare et al.; filed May 5, 2006; For: Personal Care Article Dispensing Carton.

\* cited by examiner

*Primary Examiner*—Stella Reid

*Assistant Examiner*—Thomas Johannes

(74) *Attorney, Agent, or Firm*—Milton L. Honig

(57) **CLAIM**

The ornamental design for a carton for dispensing personal care articles, as shown and described.

**DESCRIPTION**

FIG. 1 is a front perspective view of a carton for dispensing personal care articles in an open lid position showing our new design;

FIG. 2 is a front elevational view thereof;

FIG. 3 is a rear elevational view thereof;

FIG. 4 is a right side elevational view thereof;

FIG. 5 is a left side elevational view thereof;

FIG. 6 is a top plan view thereof; and,

FIG. 7 is a bottom plan view thereof.

The broken line showing of a carton for dispensing personal care articles is for the purpose of illustrating environment and forms no part of the claimed design.

**1 Claim, 4 Drawing Sheets**

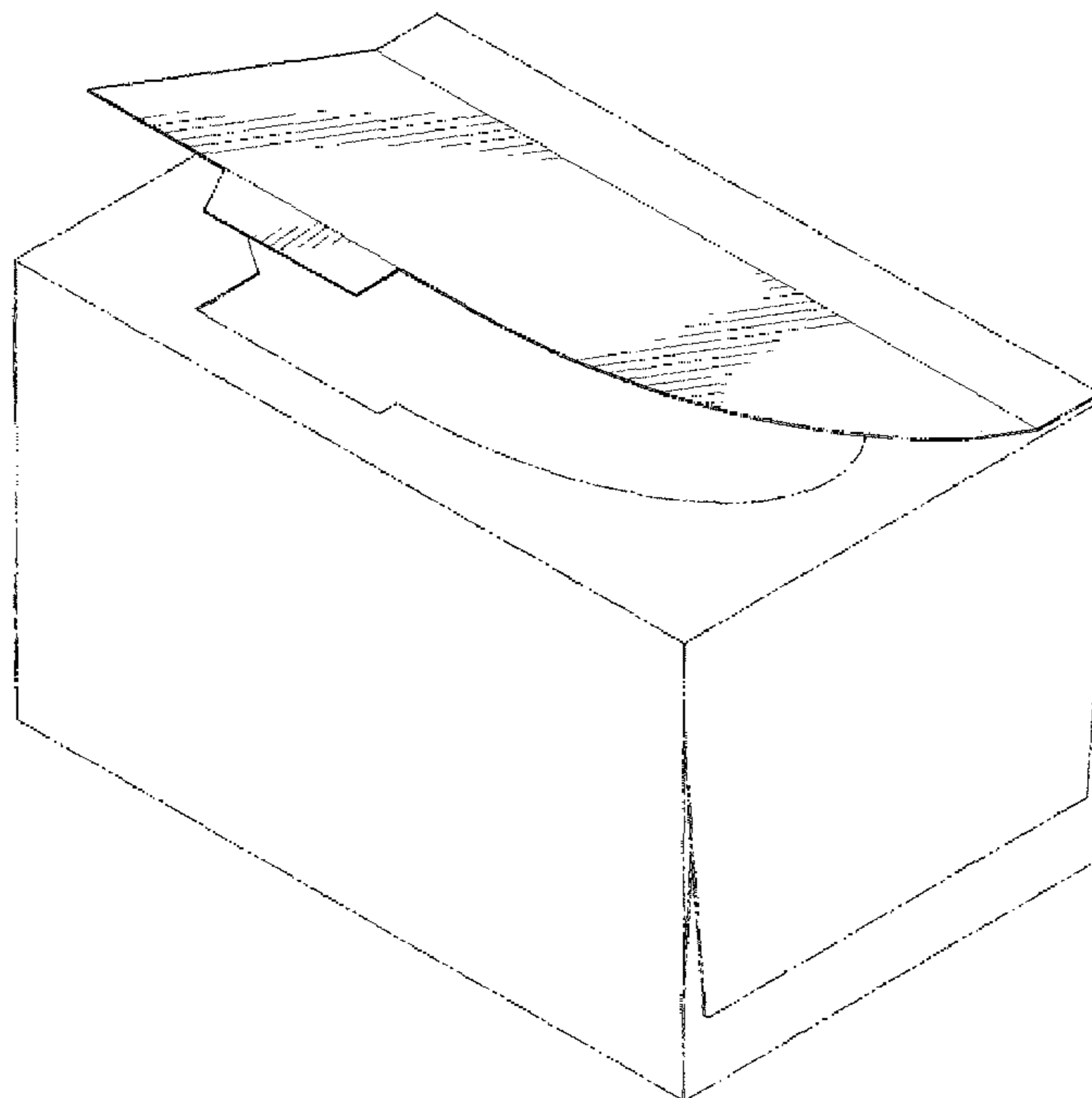


FIG. 1

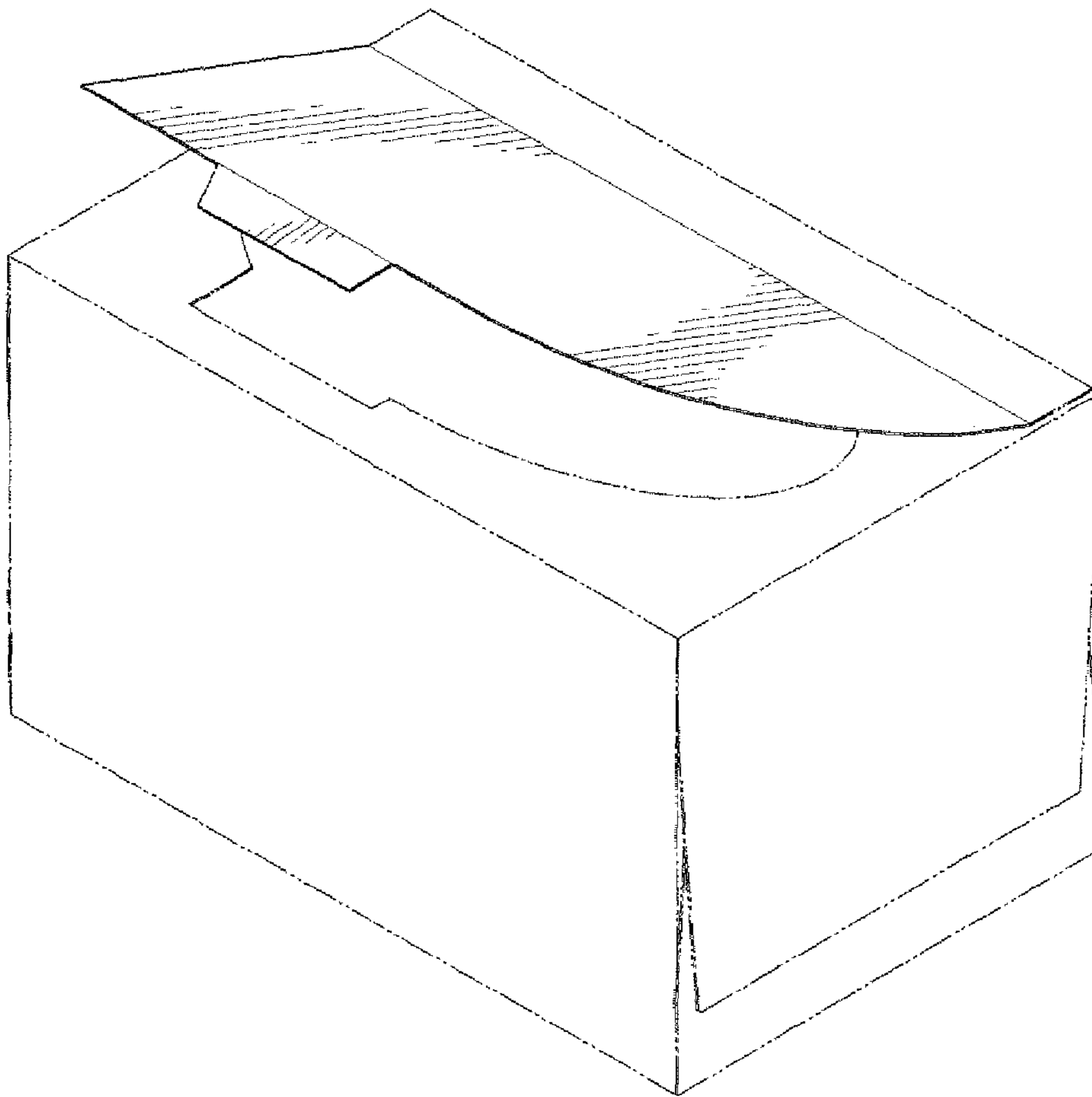


FIG. 2

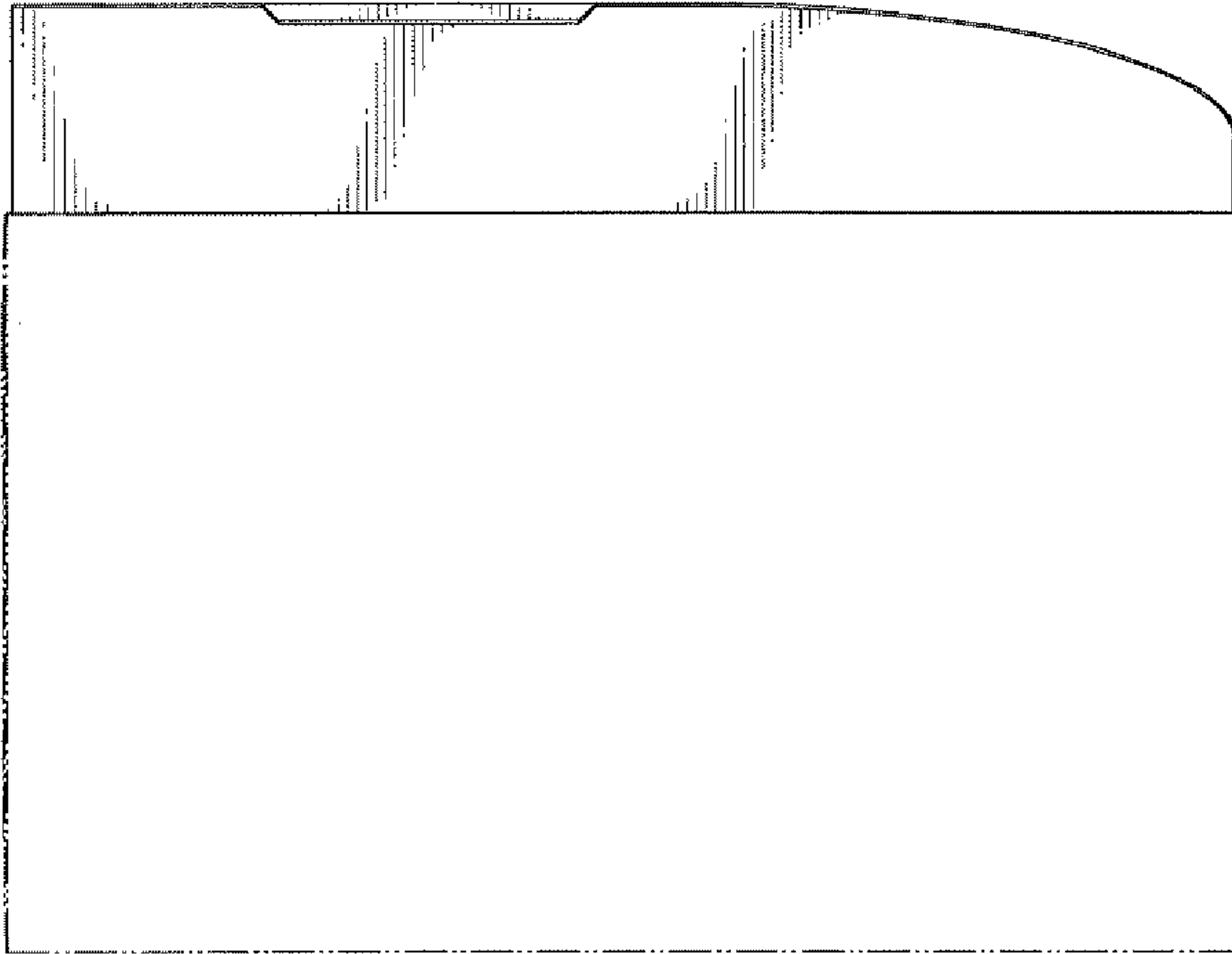


FIG. 3

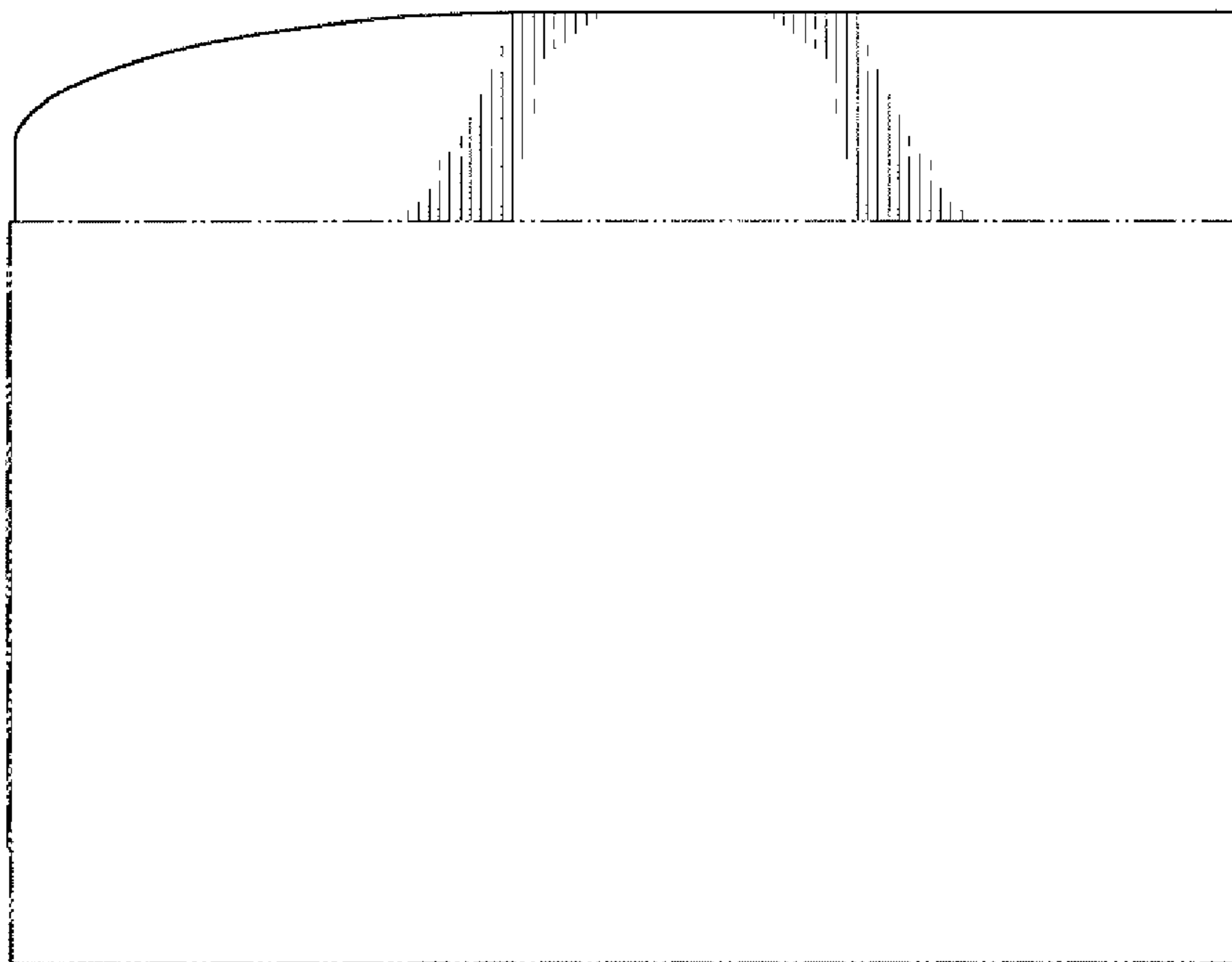


FIG. 4

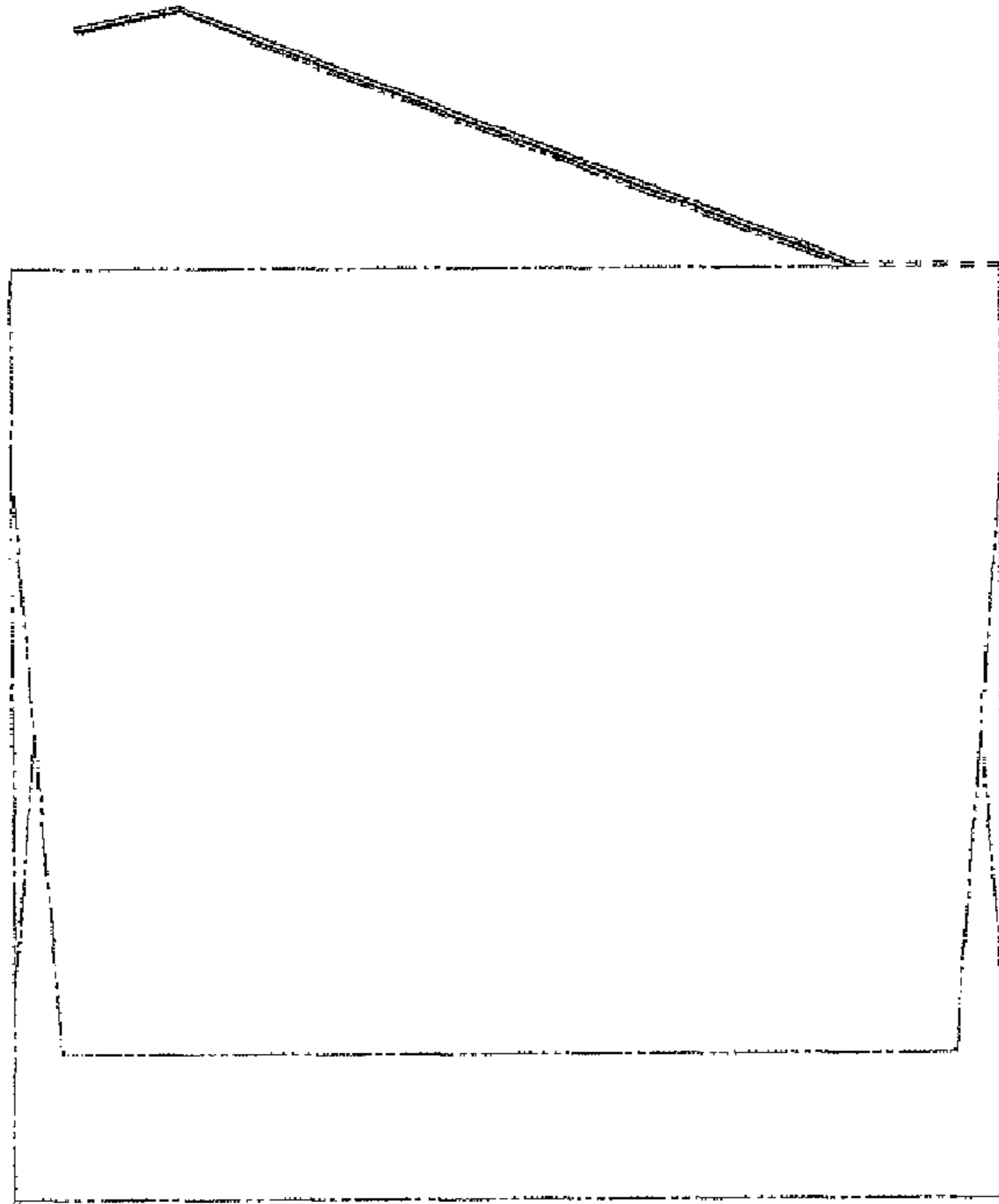


FIG. 5

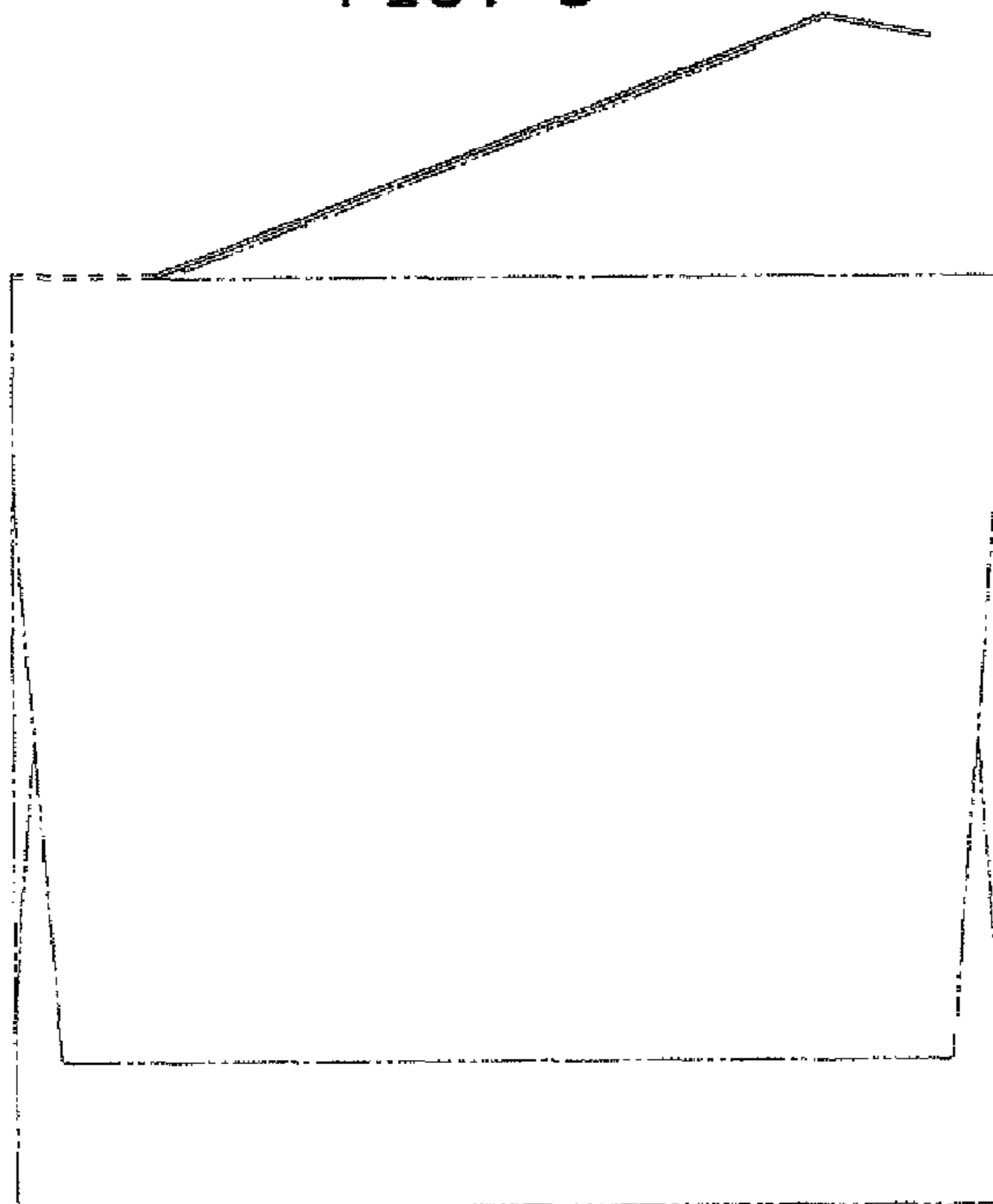


FIG. 6

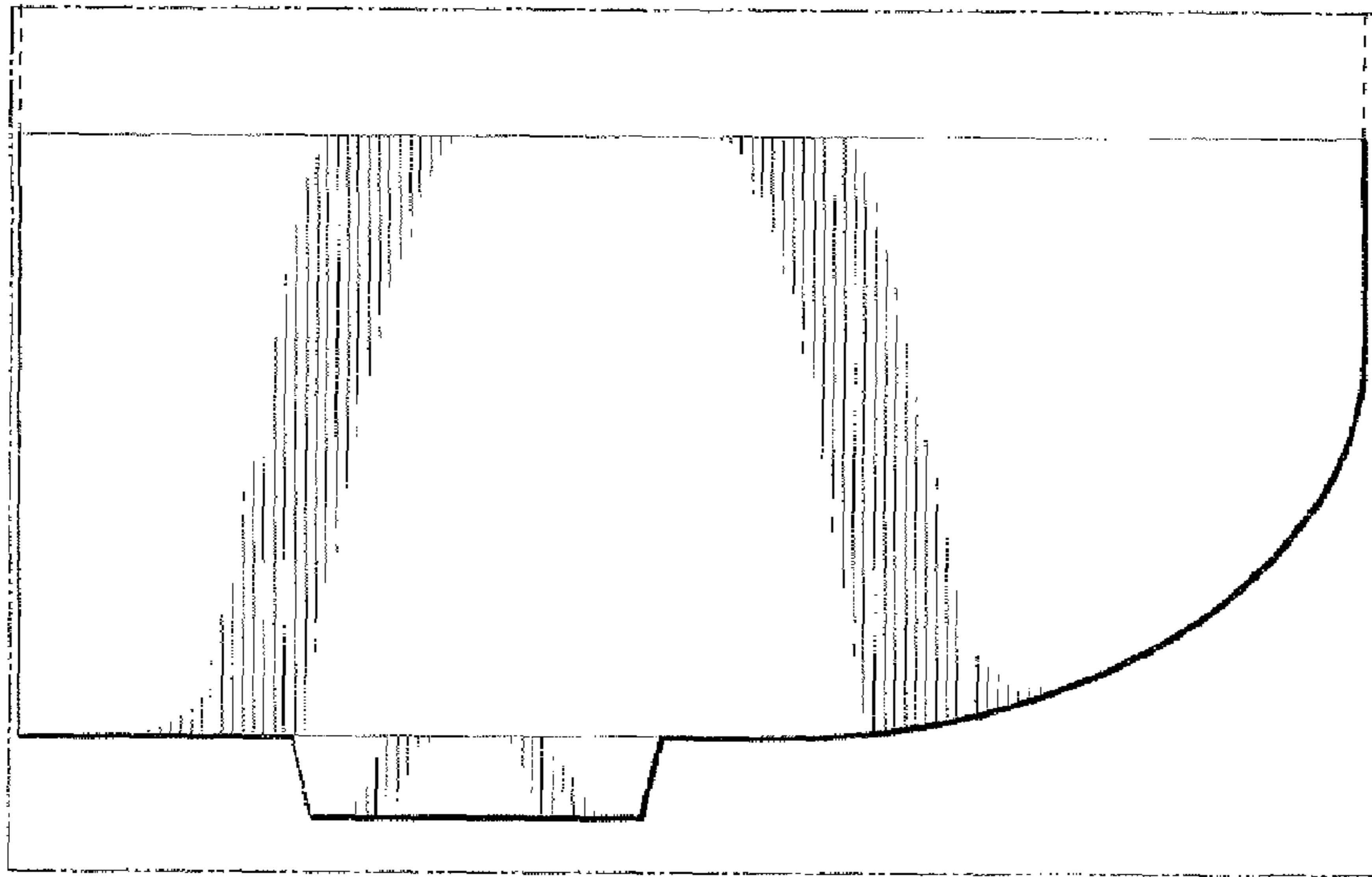
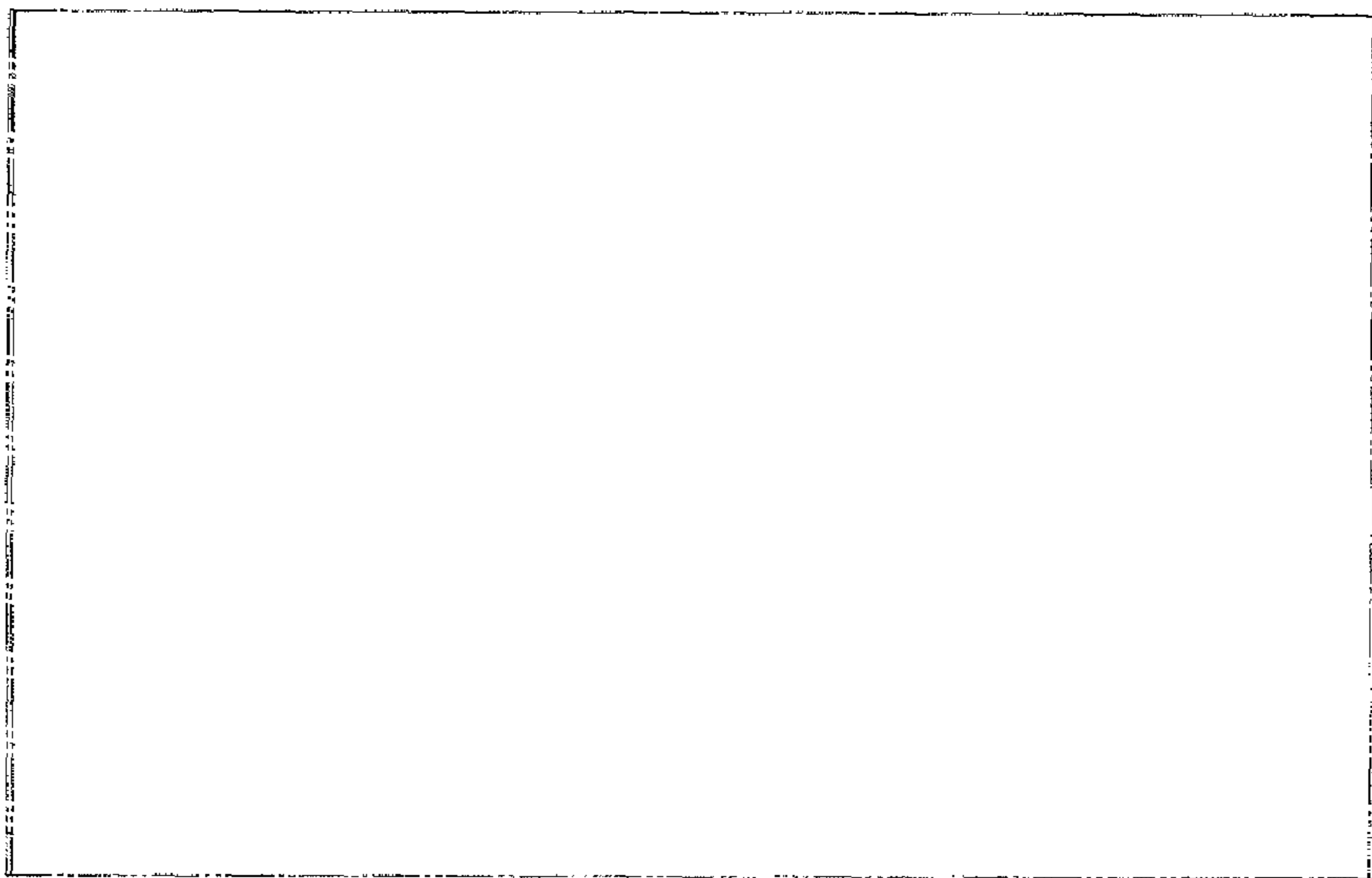


FIG. 7



UNITED STATES PATENT AND TRADEMARK OFFICE  
**CERTIFICATE OF CORRECTION**

PATENT NO. : Des. 558,046 S  
APPLICATION NO. : 29/246719  
DATED : December 25, 2007  
INVENTOR(S) : Okin et al.

Page 1 of 1

It is certified that error appears in the above-identified patent and that said Letters Patent is hereby corrected as shown below:

On the title page, item [73] Assignee:

“Conopco, Inc.,” should read -- Conopco, Inc., d/b/a Unilever --.

Signed and Sealed this

Sixth Day of May, 2008

A handwritten signature in black ink that reads "Jon W. Dudas". The signature is written in a cursive style with a large, looped initial "J".

JON W. DUDAS

*Director of the United States Patent and Trademark Office*