



US00D558045S

(12) **United States Design Patent**
Templeton

(10) **Patent No.:** **US D558,045 S**

(45) **Date of Patent:** **** Dec. 25, 2007**

(54) **CONTAINER**

(75) Inventor: **Garry Templeton**, Suwanee, GA (US)

(73) Assignee: **First Choice Packaging, Inc.**, Fremont, OH (US)

(**) Term: **14 Years**

(21) Appl. No.: **29/285,714**

(22) Filed: **Apr. 6, 2007**

5,388,758 A	2/1995	Scovell
D359,447 S	6/1995	Mylander et al.
5,429,833 A	7/1995	Wyslotsky
D361,714 S	8/1995	Krupa
5,456,379 A *	10/1995	Krupa et al. 220/835
5,485,919 A	1/1996	Samberg et al.
5,493,848 A	2/1996	McKibben et al.
D393,204 S *	4/1998	Goins et al. D9/425
5,860,530 A *	1/1999	Simmons et al. 206/557
D434,315 S	11/2000	Clarke
6,170,663 B1	1/2001	Glassman

(Continued)

Related U.S. Application Data

(62) Division of application No. 29/242,820, filed on Nov. 15, 2005.

(51) **LOC (8) Cl.** **09-03**

(52) **U.S. Cl.** **D9/420**

(58) **Field of Classification Search** D9/420,
D9/422, 423, 425, 429; D7/538, 391; 220/839,
220/835, 792, 4.23, 4.22; 206/508, 520
See application file for complete search history.

(56) **References Cited**

U.S. PATENT DOCUMENTS

4,412,630 A *	11/1983	Daenen	220/792
4,753,351 A *	6/1988	Guillin	206/520
4,872,551 A	10/1989	Theros		
D305,408 S	1/1990	LaJoie		
D306,561 S	3/1990	Lee		
5,012,928 A *	5/1991	Proffitt et al.	206/508
5,046,659 A *	9/1991	Warburton	220/4.22
D323,114 S *	1/1992	Sheehan	D9/420
D327,844 S	7/1992	Wimbish et al.		
5,129,516 A	7/1992	Theros		
D329,600 S	9/1992	LaJoie		
D338,619 S	8/1993	Mylander et al.		
D339,744 S *	9/1993	Seppala	D9/425
D342,446 S	12/1993	Parker et al.		

Primary Examiner—Selina Sikder

Assistant Examiner—Thomas J Johannes

(74) *Attorney, Agent, or Firm*—Calfee, Halter & Griswold LLP

(57) **CLAIM**

The ornamental design for a container, as shown and described.

DESCRIPTION

FIG. 1 is a perspective view of a container having a unitary lid and base, in an opened condition, showing my new design;

FIG. 2 is a bottom plan view thereof;

FIG. 3 is a top plan view thereof;

FIG. 4 is a front elevational view thereof;

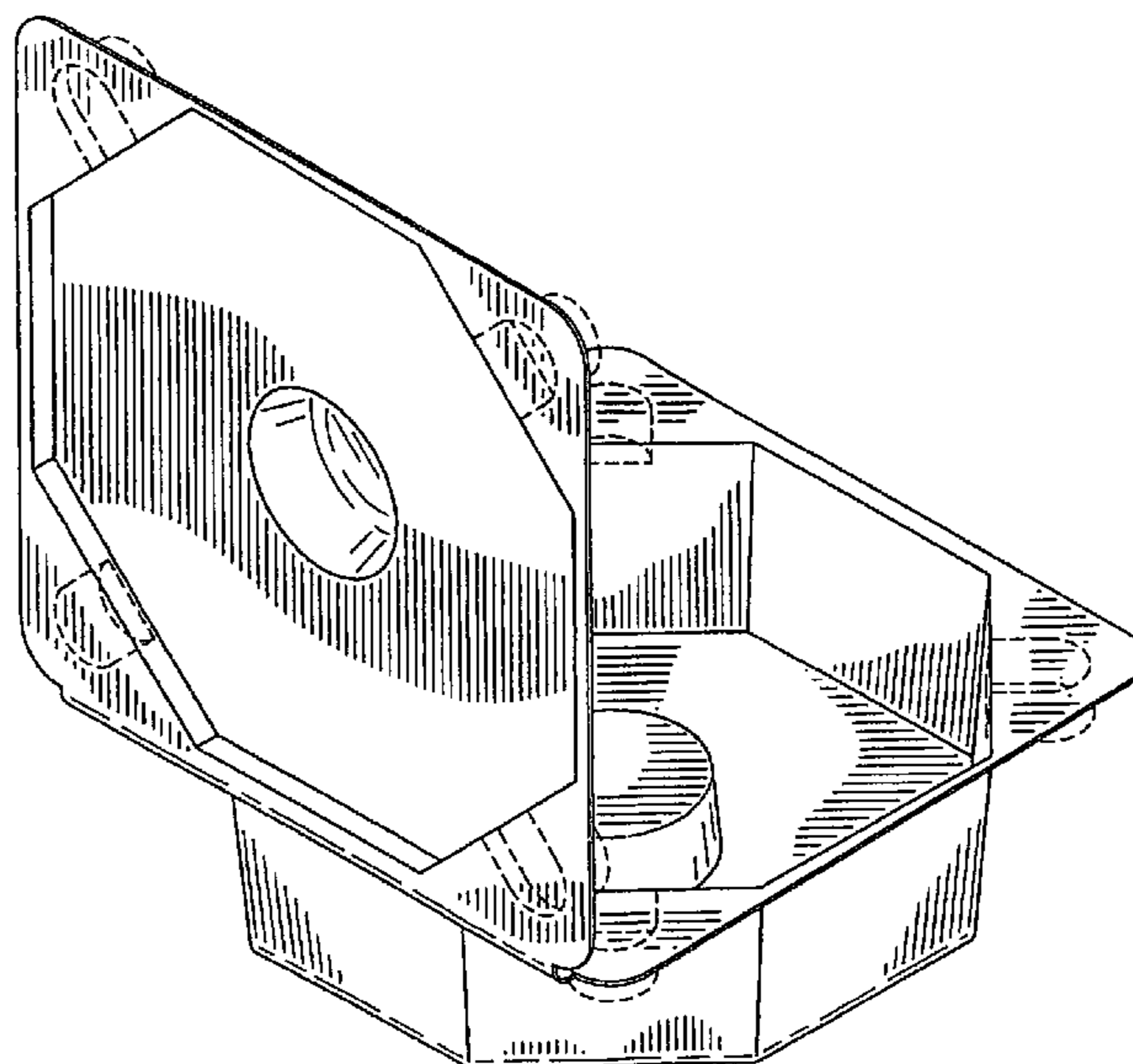
FIG. 5 is a side view thereof;

FIG. 6 is a rear elevational view thereof; and,

FIG. 7 is an opposing side view thereof.

The portions of the Figures shown is broken lines are not part of the claimed design and are for illustration only.

1 Claim, 4 Drawing Sheets



US D558,045 S

Page 2

U.S. PATENT DOCUMENTS

D441,286 S	5/2001	Clarke	D505,619 S	5/2005	Metaxatos	
6,227,369 B1	5/2001	Glassman	D506,130 S	6/2005	Metaxatos	
D445,330 S	7/2001	Clarke, III	D514,452 S *	2/2006	Enriquez	D9/759
6,330,945 B1	12/2001	Reimer	D524,645 S *	7/2006	LaMasney	D9/429
6,364,114 B1	4/2002	Glassman	D530,197 S *	10/2006	LaMasney	D9/420
D470,767 S	2/2003	Meyer et al.	D536,992 S *	2/2007	Garg et al.	D9/737
D484,043 S	12/2003	Hwang et al.				

* cited by examiner

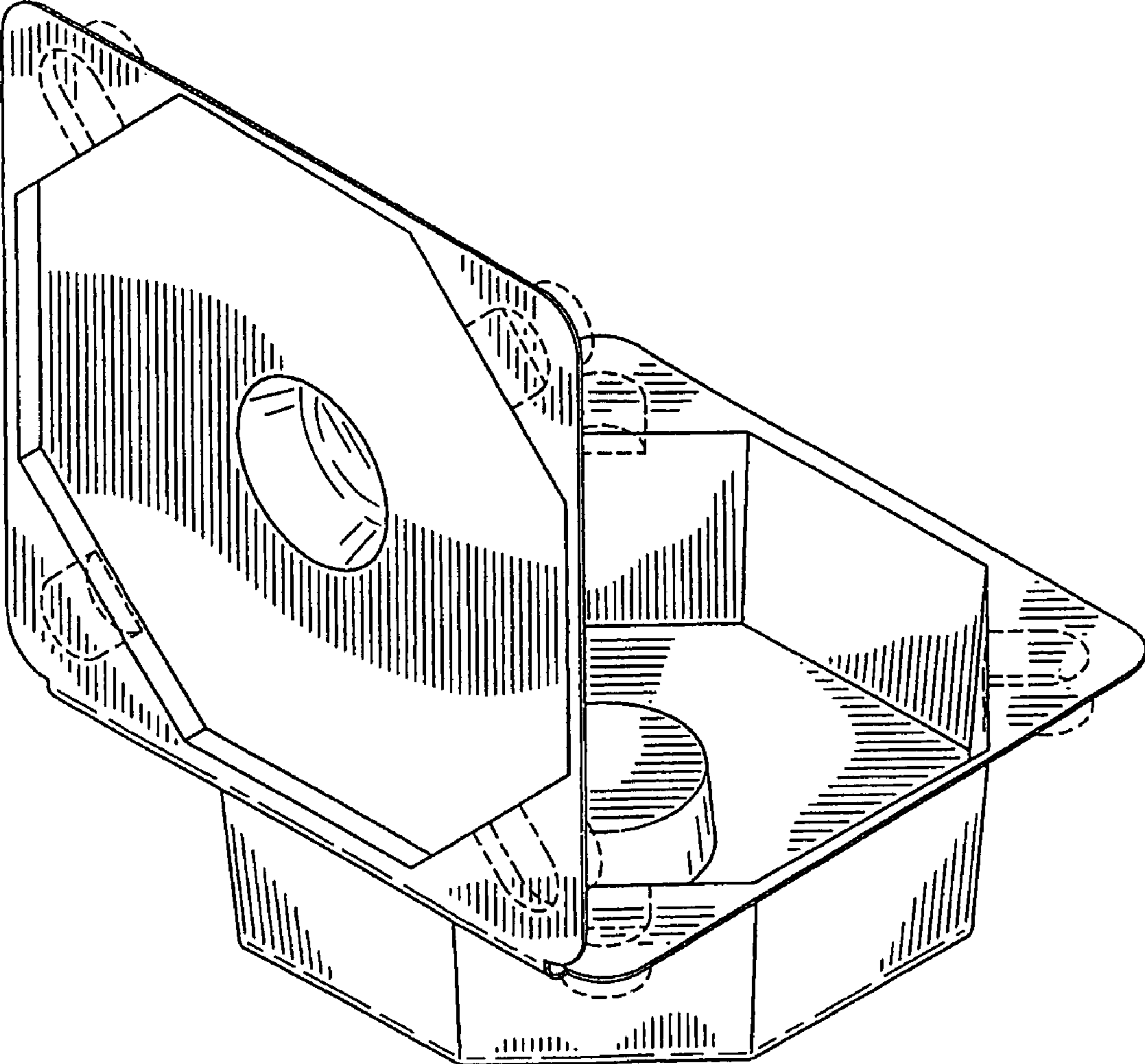


FIG-1

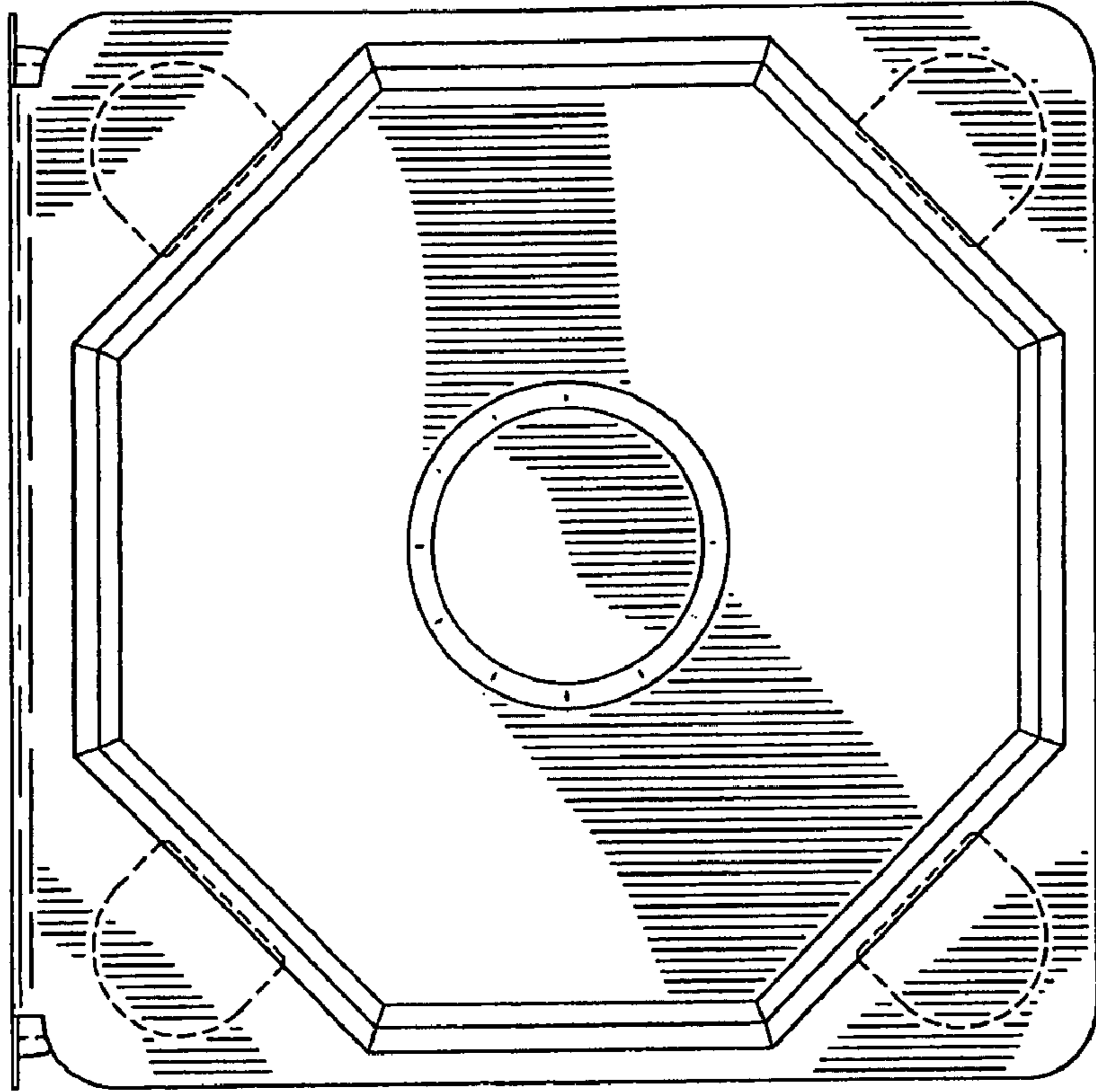


FIG-3

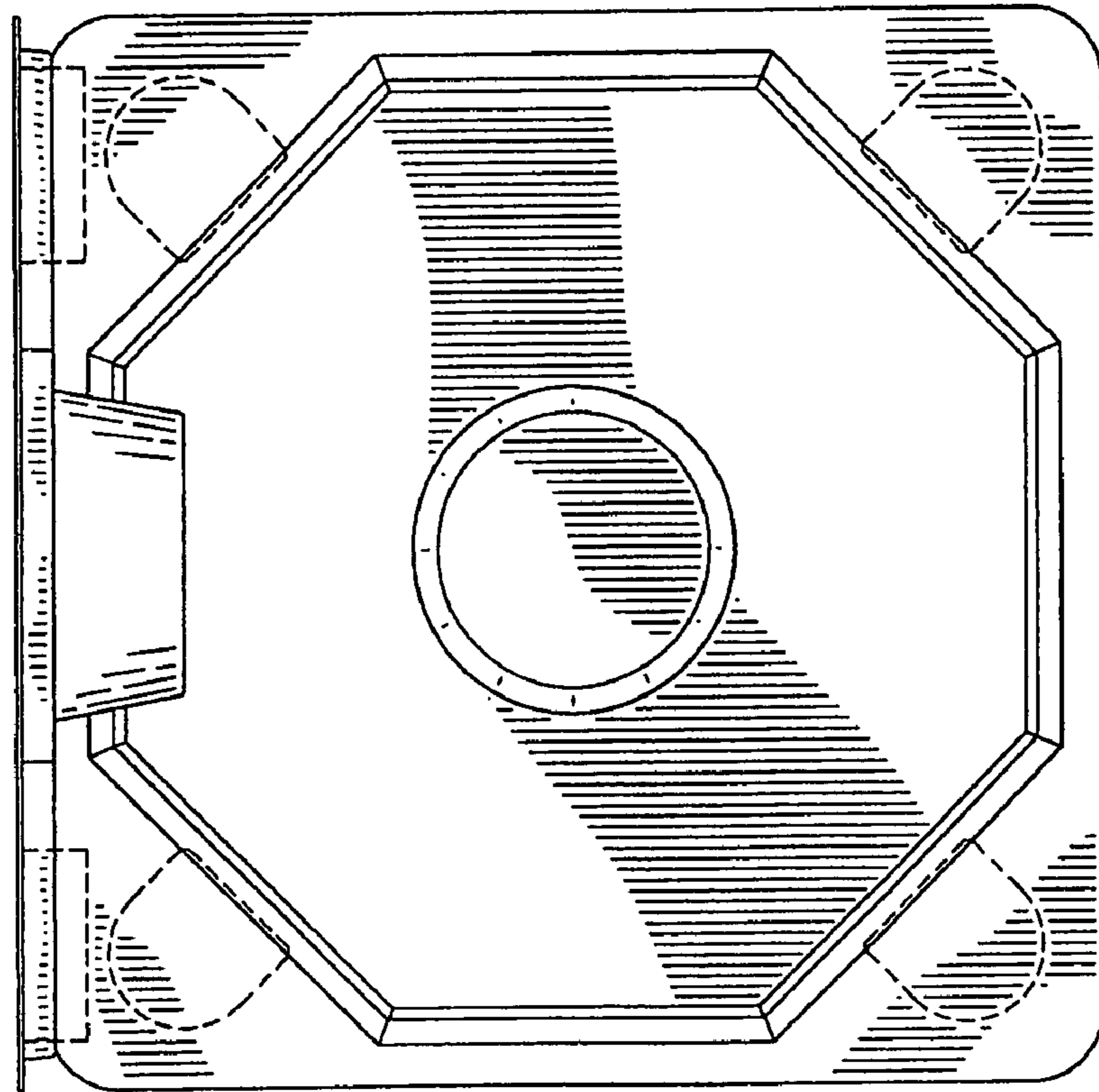


FIG-2

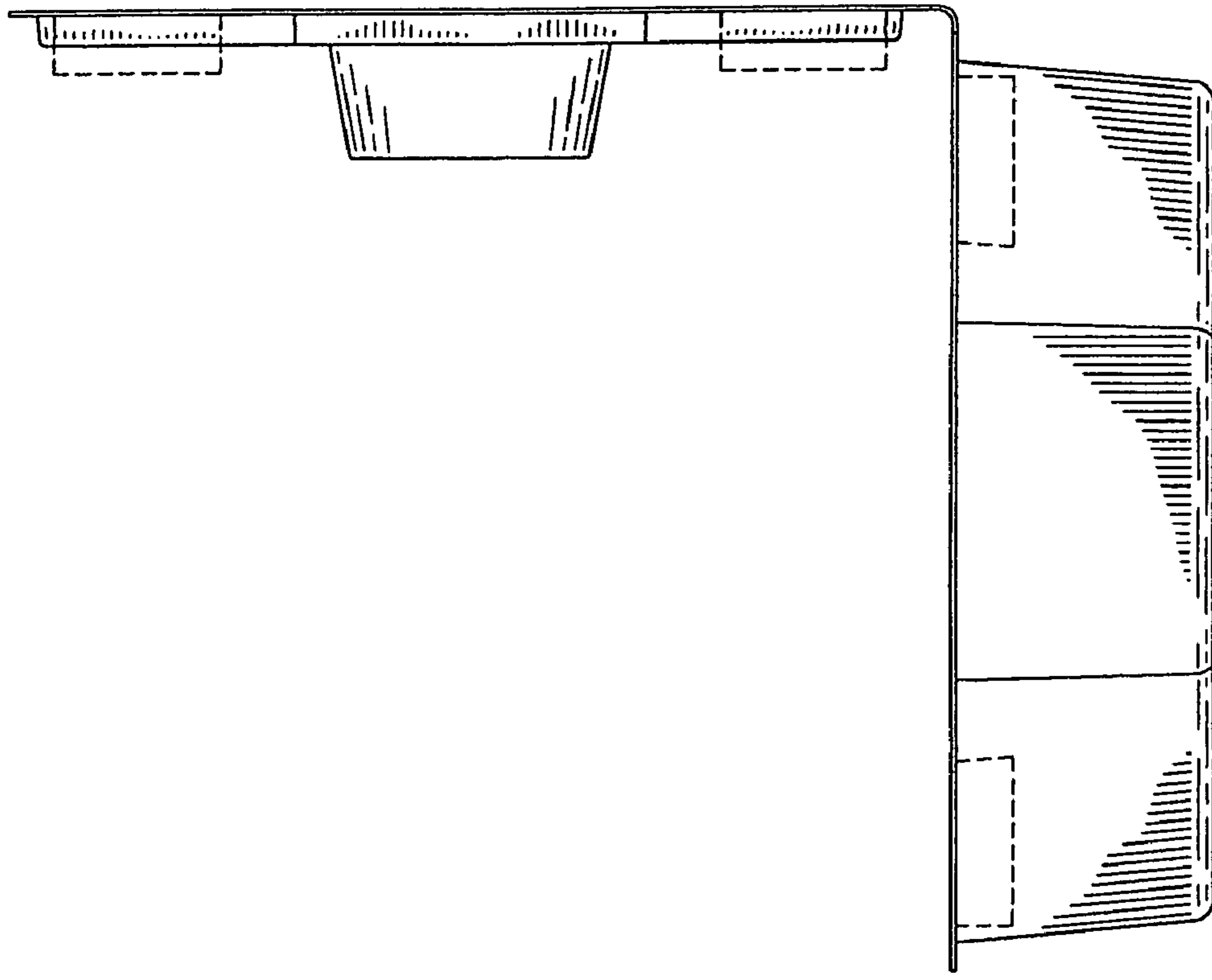


FIG-5

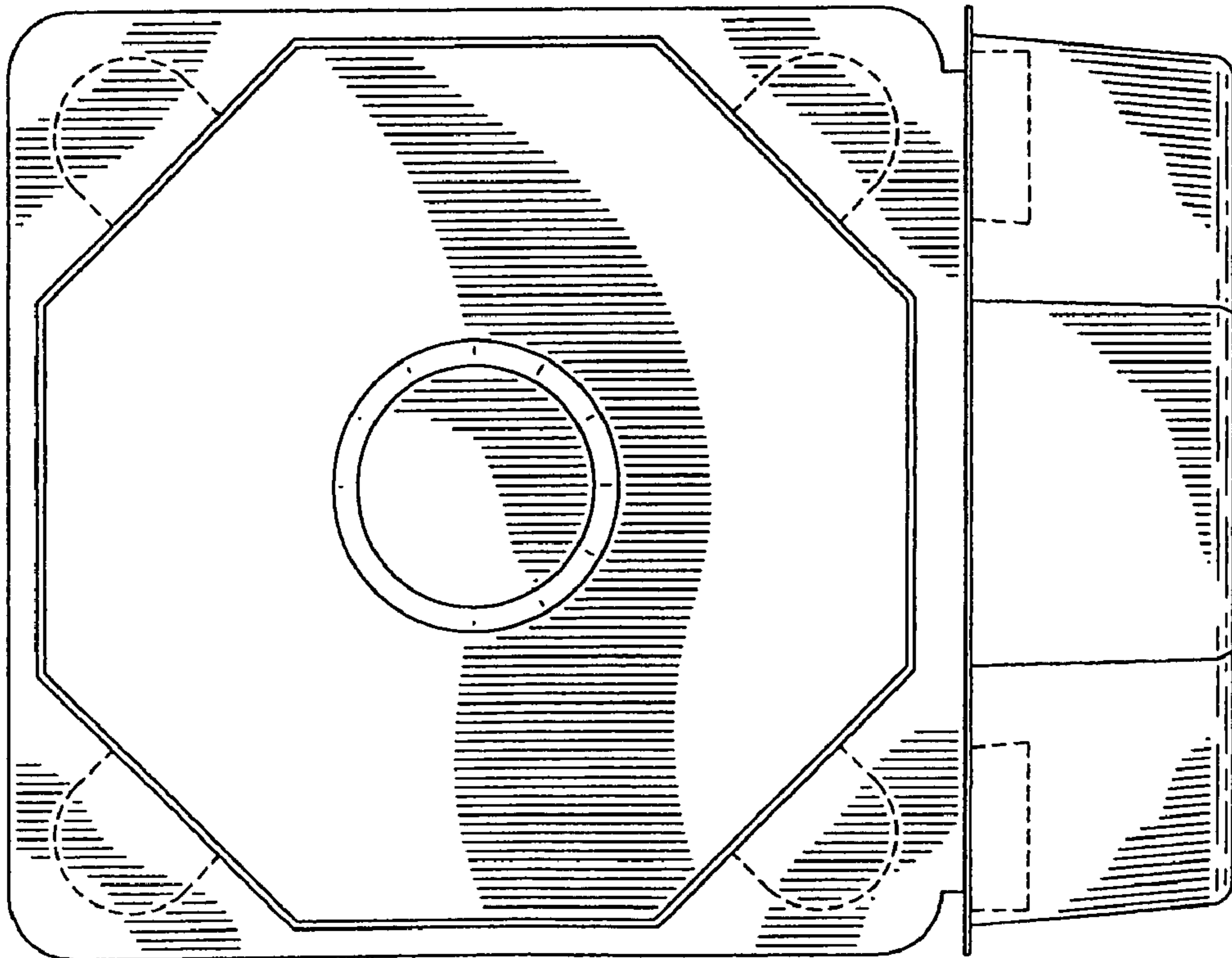


FIG-4

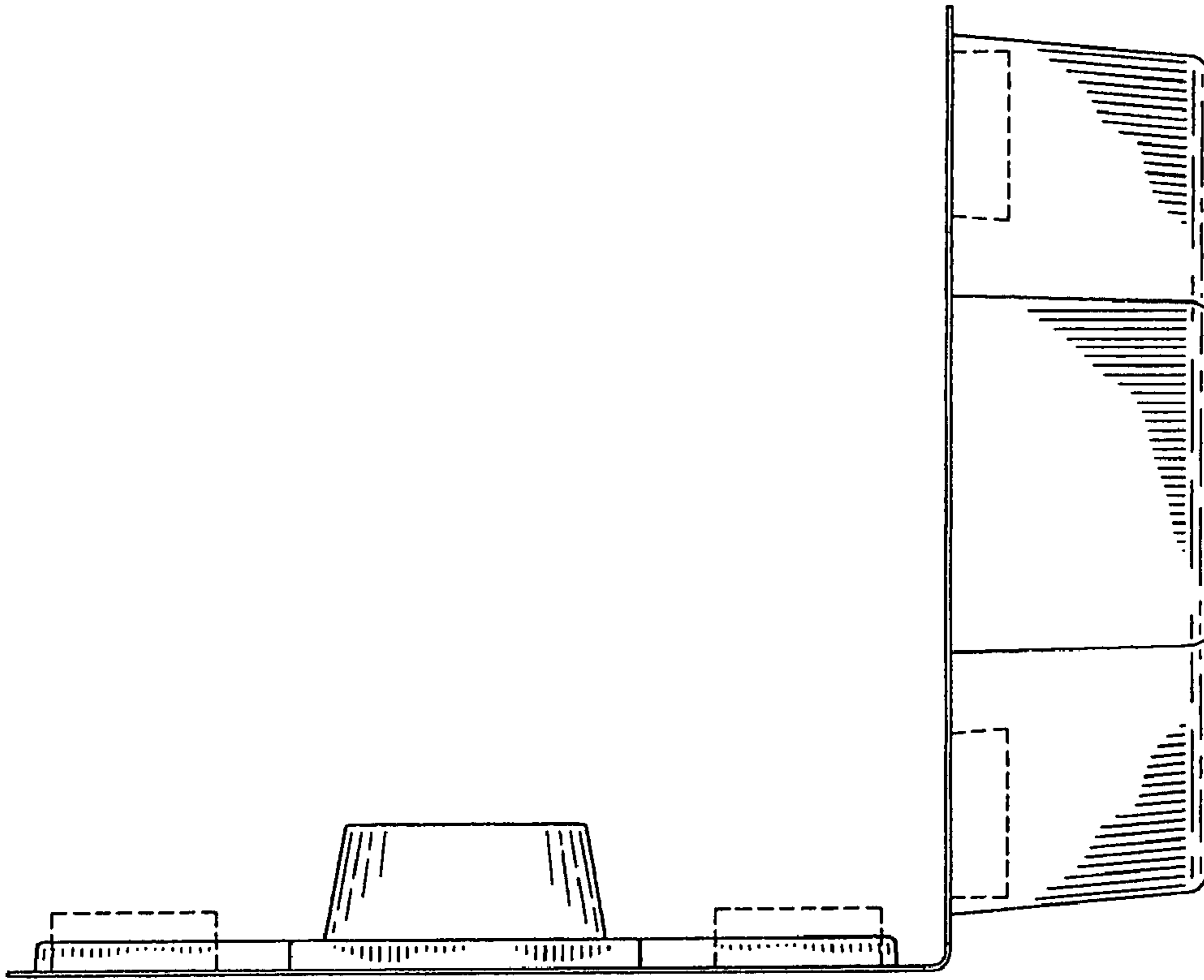


FIG-7

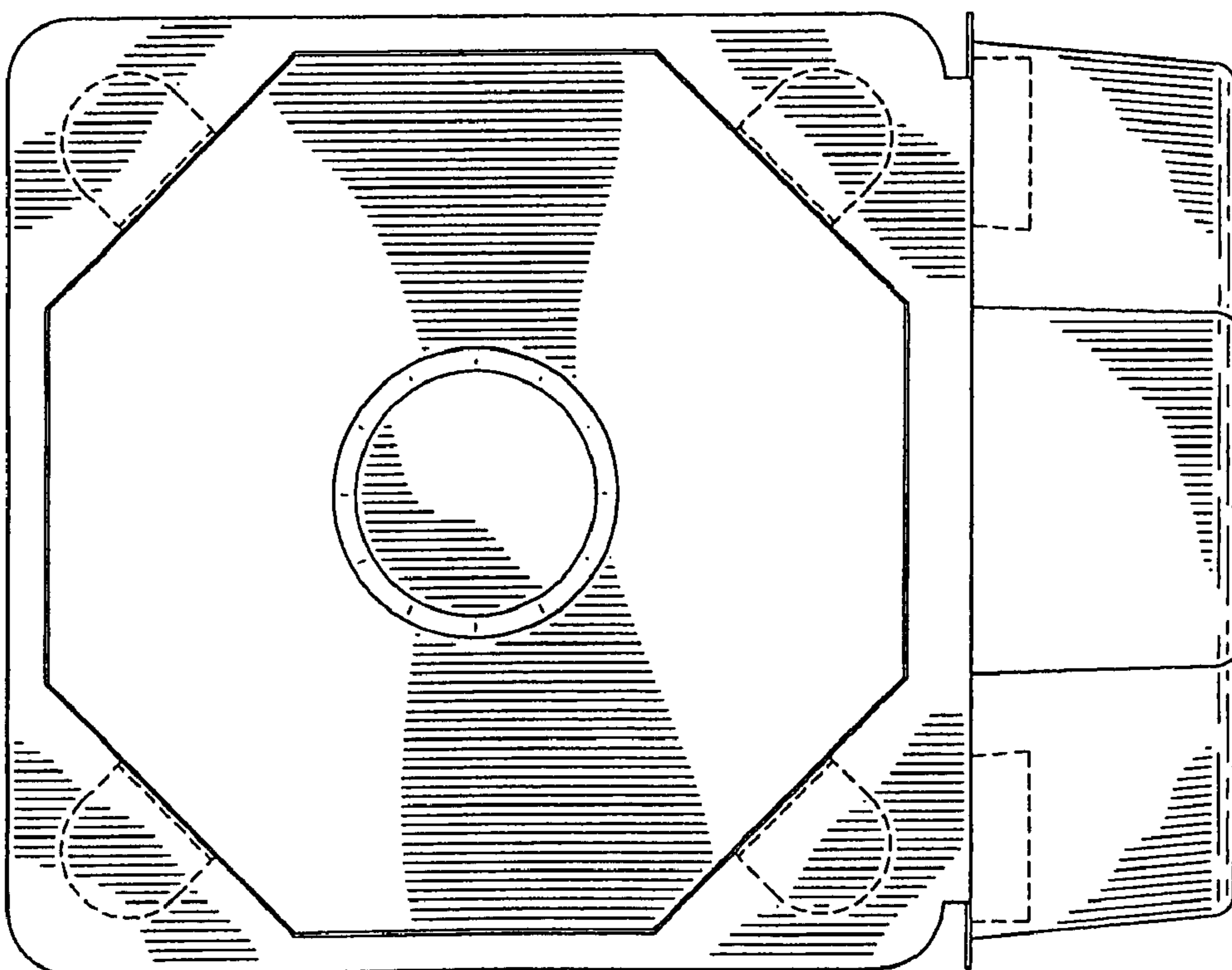


FIG-6