



US00D558043S

(12) **United States Design Patent** (10) **Patent No.:** **US D558,043 S**
Kiser (45) **Date of Patent:** **** Dec. 25, 2007**

(54) **CLAM SHELL PACKAGING** 2004/0149616 A1* 8/2004 Briscoe 206/461

(75) Inventor: **Kenneth Kirby Kiser**, Nunda, NY (US)

* cited by examiner

(73) Assignee: **Crosman Corporation**, East Bloomfield, NY (US)

Primary Examiner—Stella M. Reid

Assistant Examiner—Susan E Krakower

(74) *Attorney, Agent, or Firm*—Michael J. Didas, Esq.; Brian B. Shaw, Esq.; Harter Secrest & Emery LLP

(**) Term: **14 Years**

(57) **CLAIM**

(21) Appl. No.: **29/246,636**

The ornamental design for a clam shell packaging, as shown and described.

(22) Filed: **Apr. 28, 2006**

(51) **LOC (8) Cl.** **09-03**

DESCRIPTION

(52) **U.S. Cl.** **D9/418; D9/415**

FIG. 1 is a perspective view of a clam shell packaging showing the present design;

(58) **Field of Classification Search** D9/414–433, D9/457, 701, 341–348, 730–762, 304, 227; 206/461–471, 495, 806; D22/108, 199
See application file for complete search history.

FIG. 2 is a left side elevational view thereof;

FIG. 3 is a front elevational view thereof;

FIG. 4 is a rear elevational view thereof;

FIG. 5 is a top plan view thereof;

FIG. 6 is a bottom plan view thereof; and,

FIG. 7 is a right side elevational view thereof.

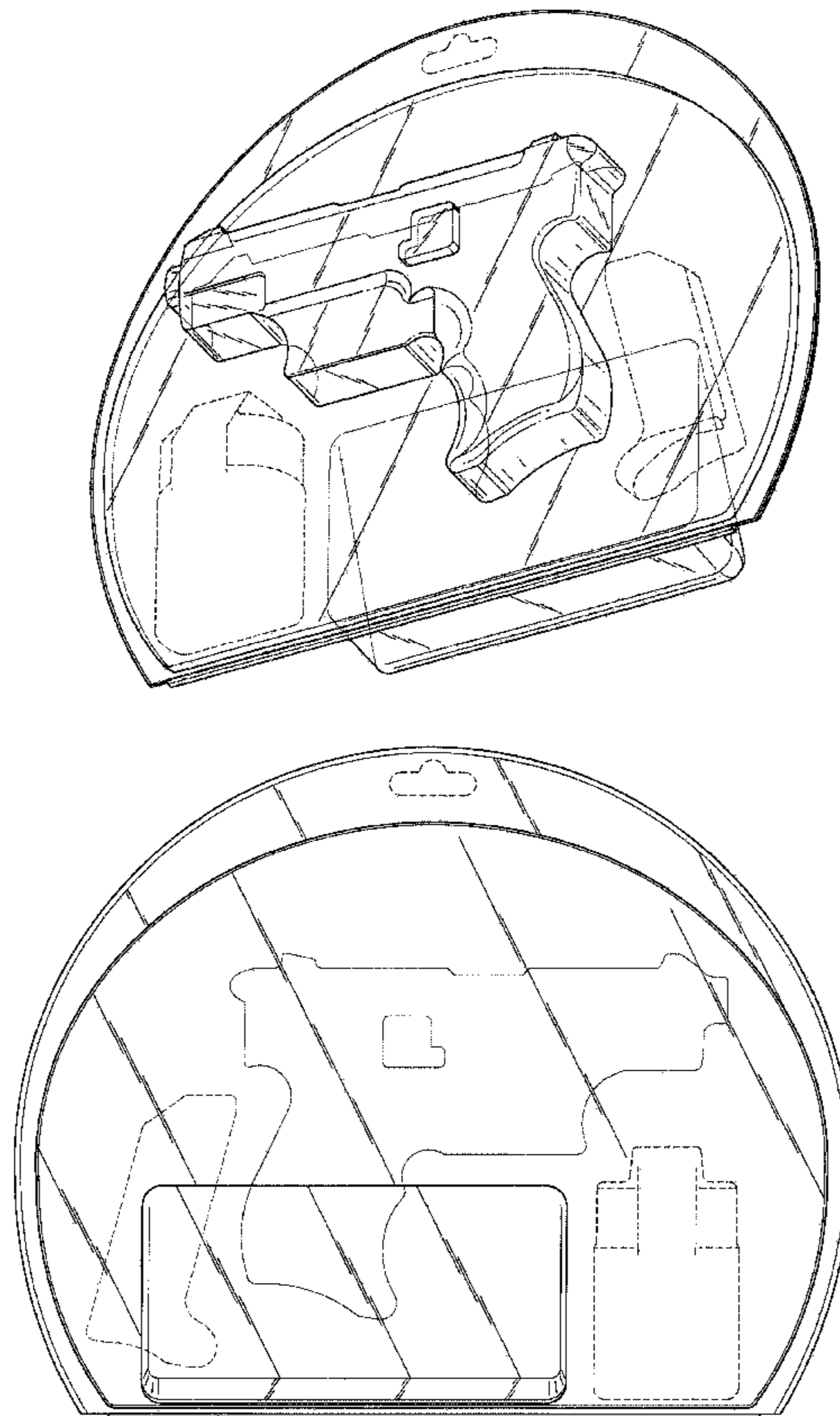
(56) **References Cited**

U.S. PATENT DOCUMENTS

D338,619 S	8/1993	Mylander et al.	
D359,447 S	6/1995	Mylander et al.	
D365,022 S *	12/1995	Wada D9/415
D372,291 S	7/1996	Watley	
D399,737 S	10/1998	Zuhlke, Jr. et al.	
D432,410 S	10/2000	Schwartz	
D480,964 S *	10/2003	Lee D9/415
D502,867 S *	3/2005	Koizumi D9/415

The broken line showing of a die cut for hanging, magazine clip and rounded canister is included for the purpose of illustrating structural environment and forms no part of the claimed design.

1 Claim, 5 Drawing Sheets



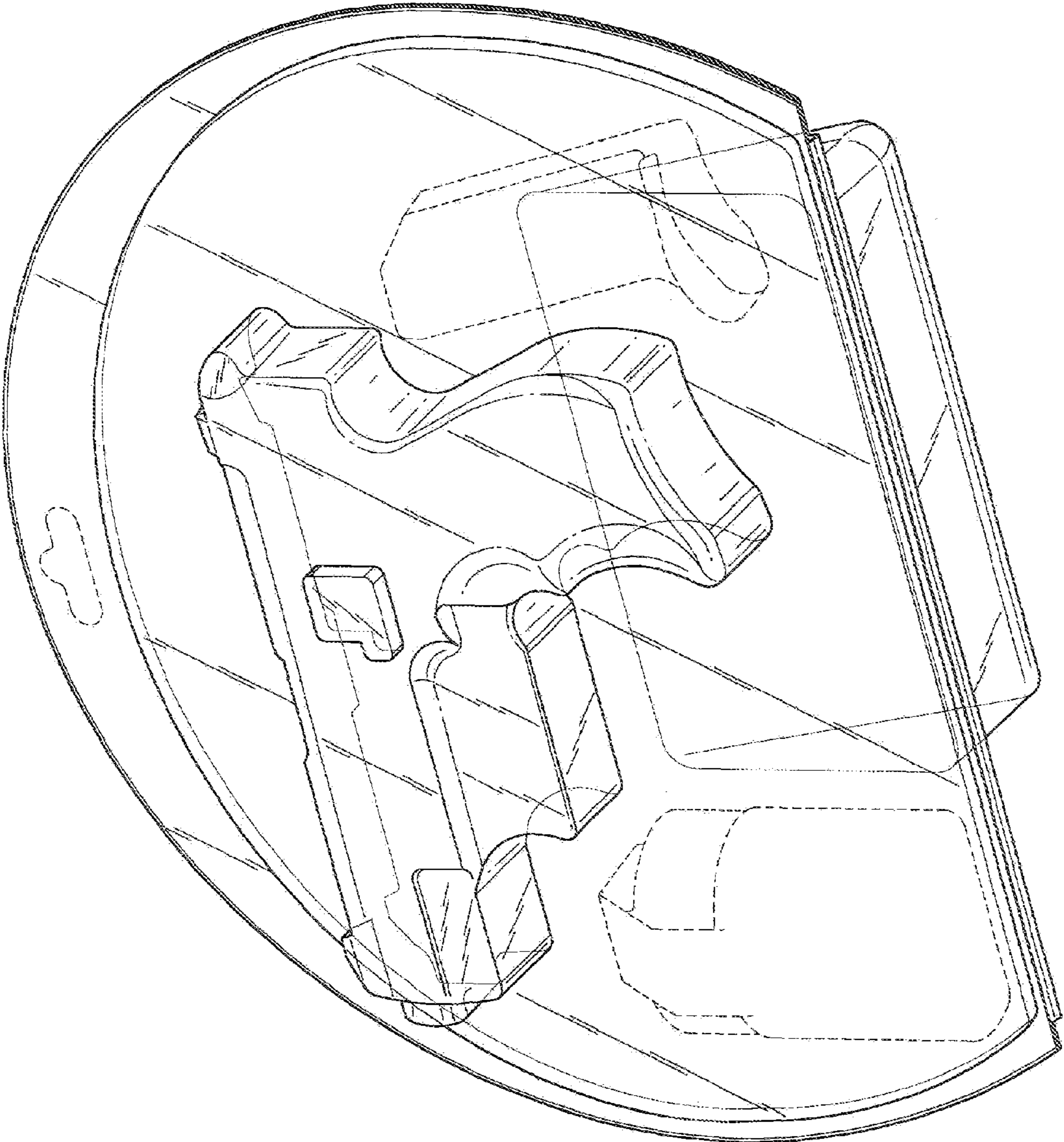


FIG. 1

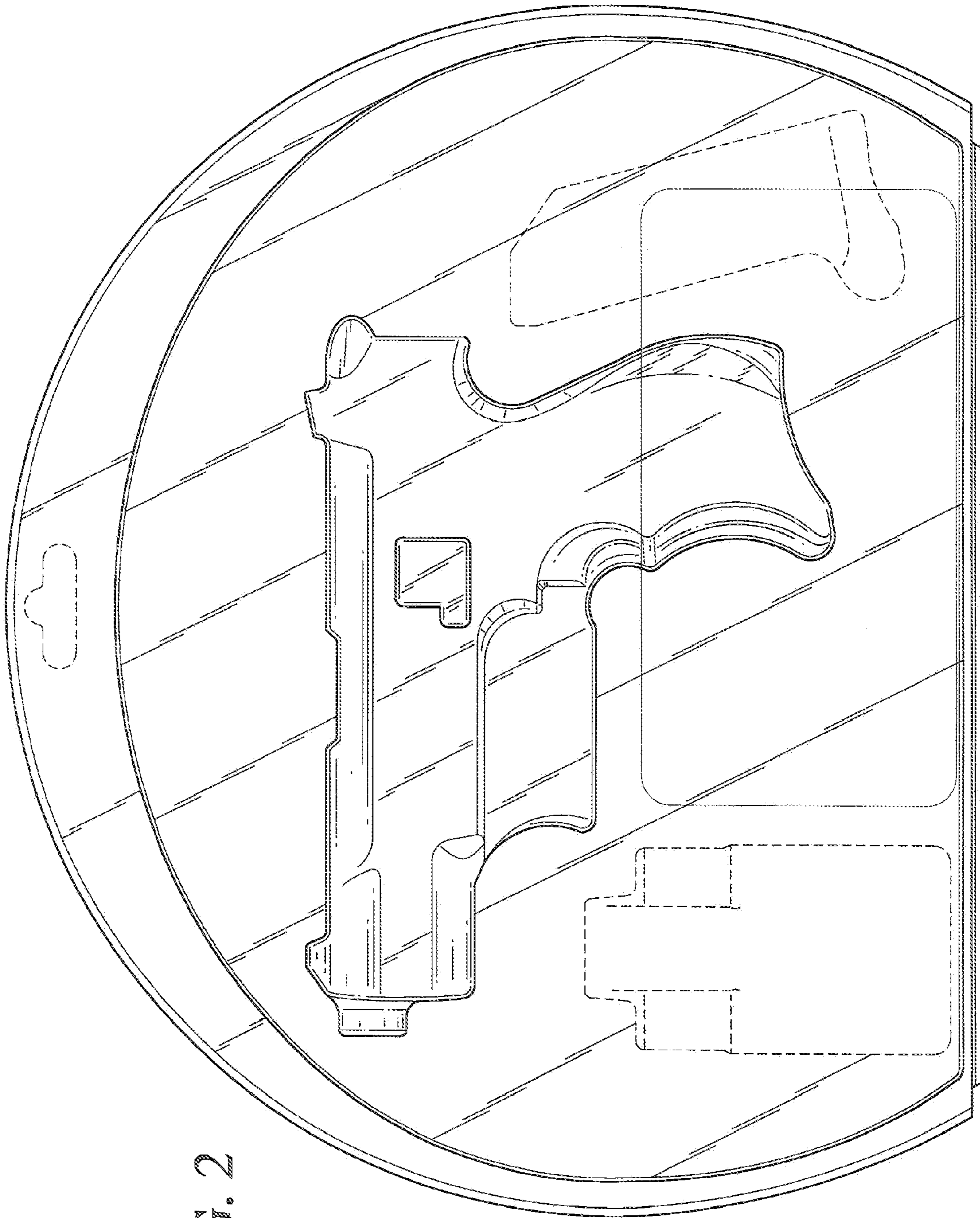


FIG. 2

FIG. 4

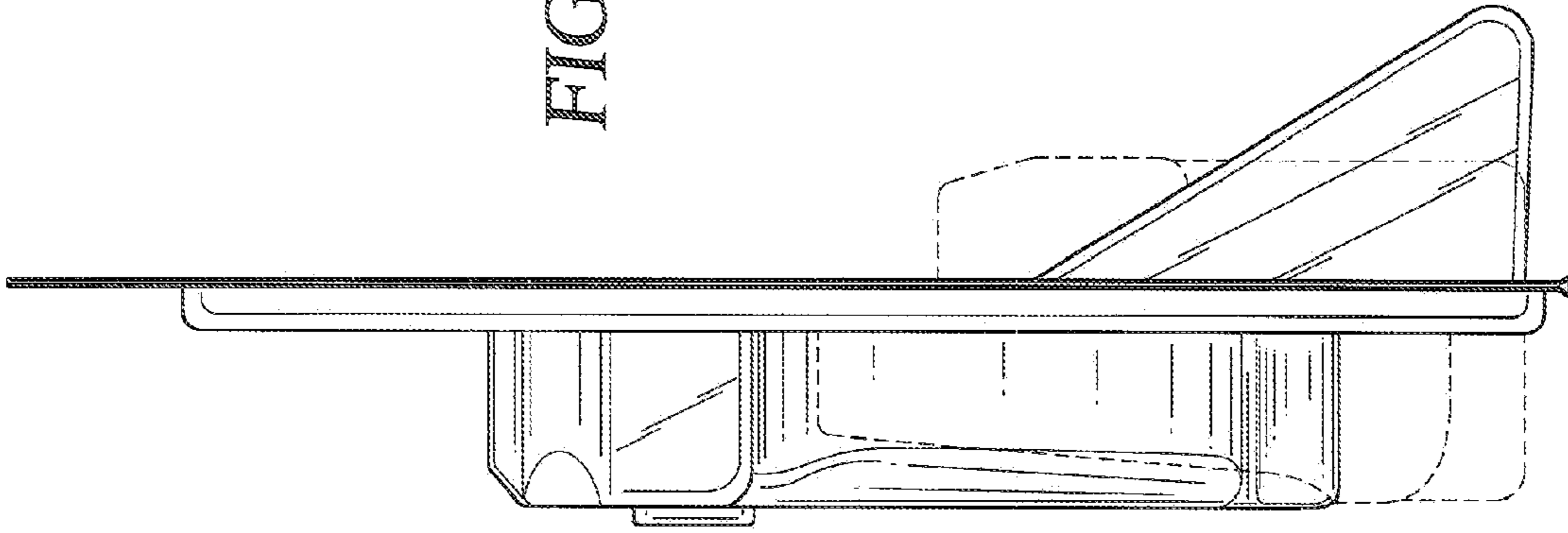
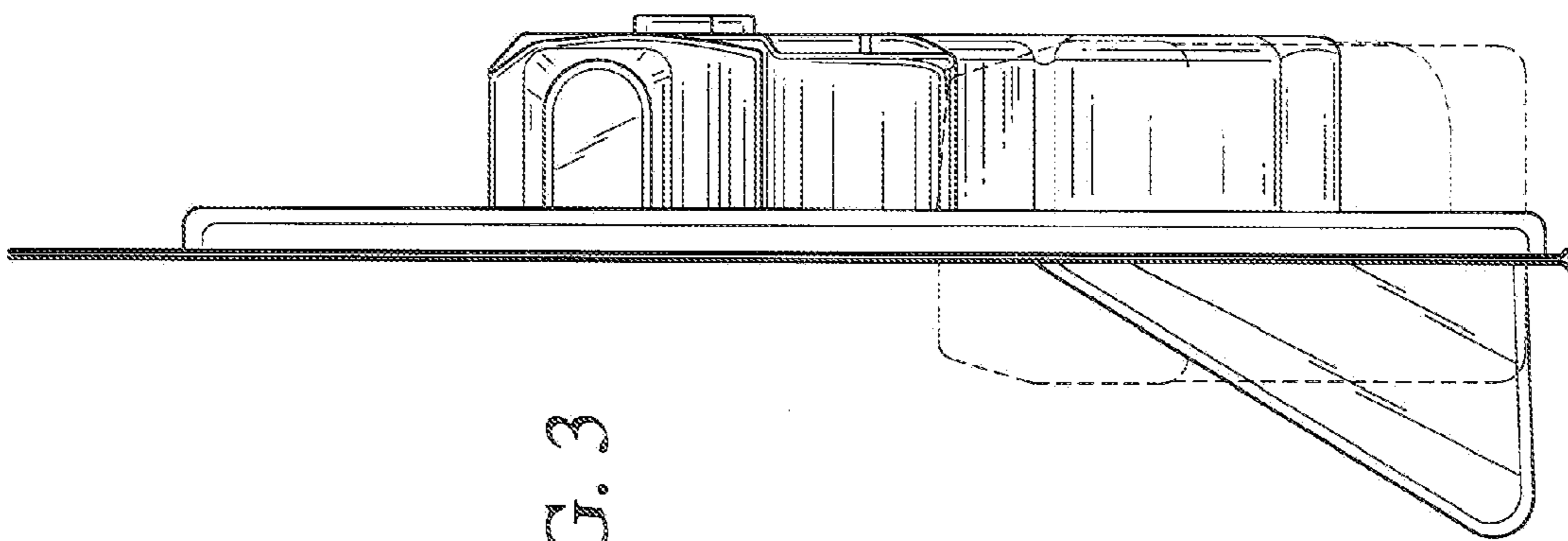
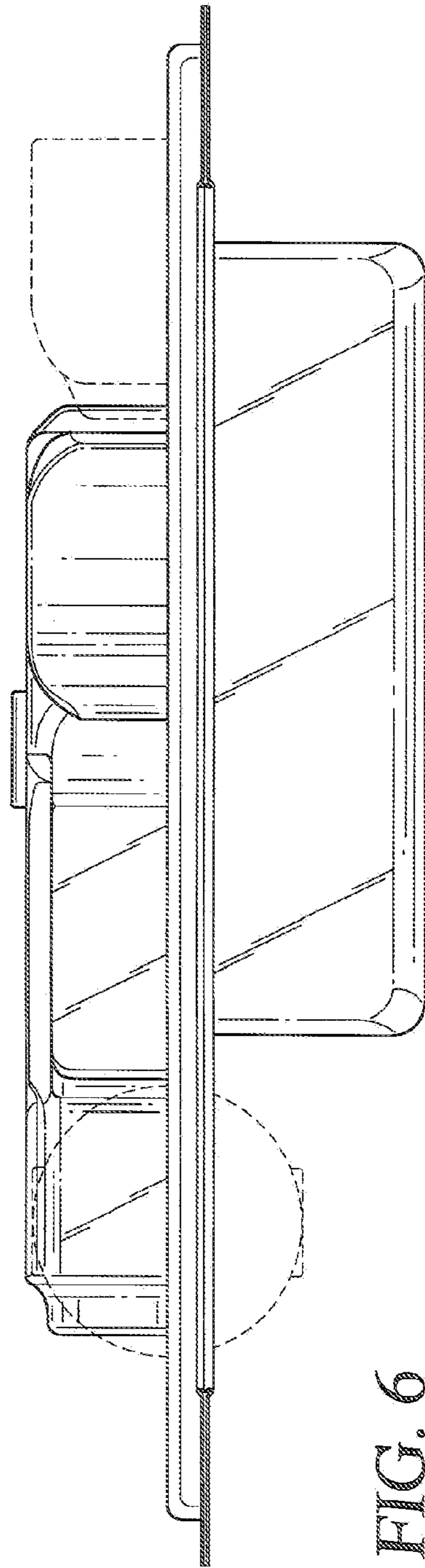
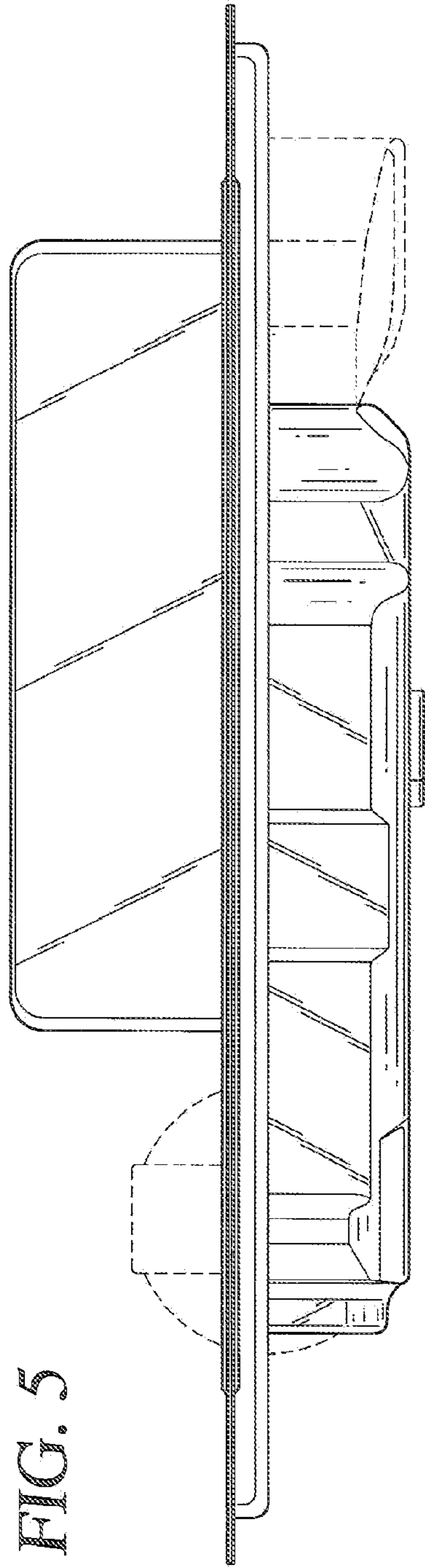


FIG. 3





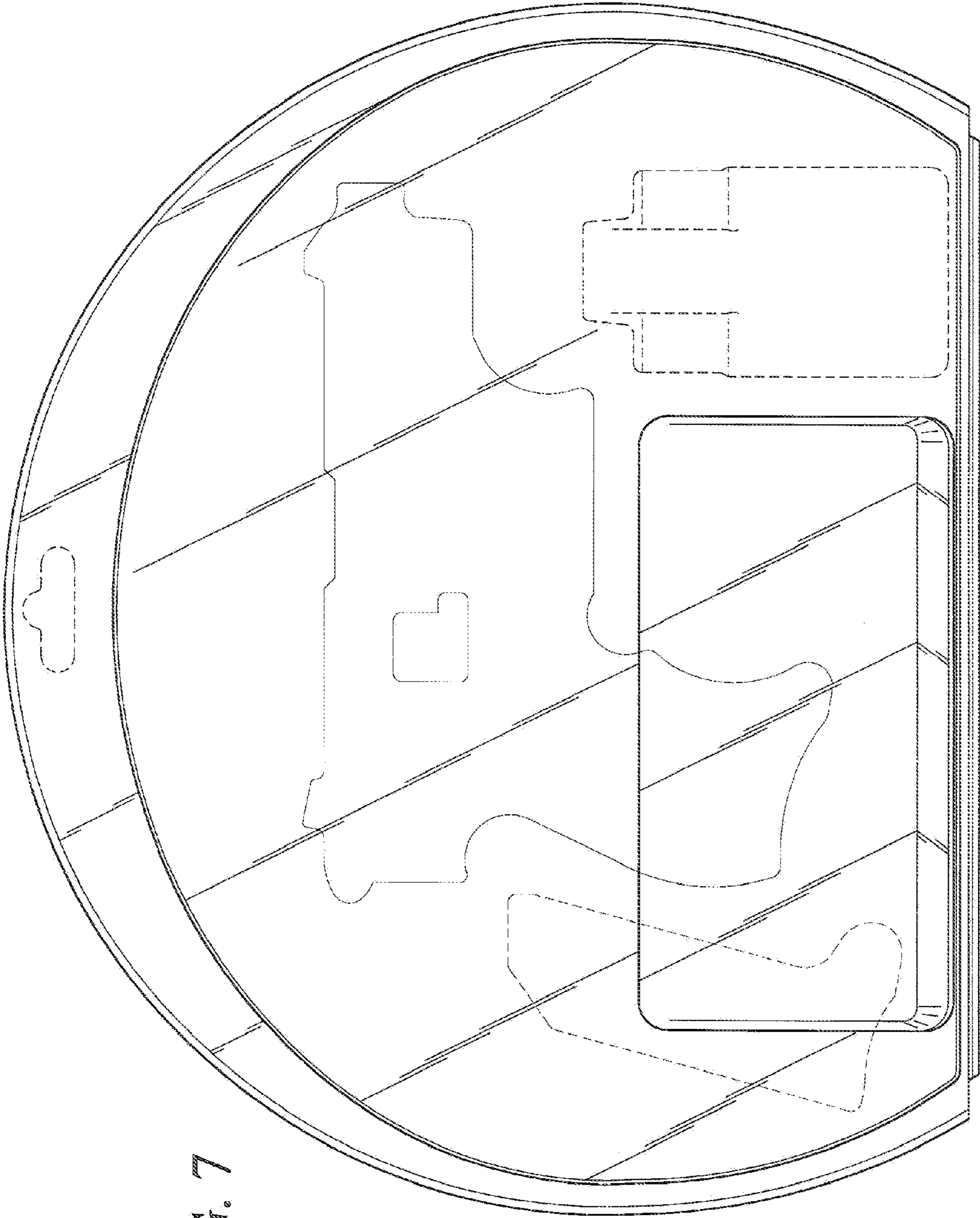


FIG. 7