



US00D558041S

(12) **United States Design Patent**
Skinner

(10) **Patent No.:** **US D558,041 S**

(45) **Date of Patent:** **** Dec. 25, 2007**

(54) **COUPLING**

(75) **Inventor:** **Richard William Skinner**, Moranbah (AU)

(73) **Assignee:** **Onesteel Trading Pty Limited**, Sydney, NSW (AU)

(**) **Term:** **14 Years**

(21) **Appl. No.:** **29/261,858**

(22) **Filed:** **Jun. 21, 2006**

(30) **Foreign Application Priority Data**

Dec. 22, 2005 (AU) 15753/05

(51) **LOC (8) Cl.** **08-08**

(52) **U.S. Cl.** **D8/382; D8/354**

(58) **Field of Classification Search** D8/382,
D8/349, 354; 403/169, 167; 248/300, 309.1;
52/506.5, 586.1

See application file for complete search history.

(56) **References Cited**

U.S. PATENT DOCUMENTS

D364,794 S * 12/1995 Eberschlag D8/354
D481,619 S * 11/2003 Hightower D8/382

D500,666 S * 1/2005 Murphy et al. D8/354
D500,667 S * 1/2005 Murphy et al. D8/354
D520,344 S * 5/2006 Vejmarker D8/354
D523,735 S * 6/2006 Craine D8/354
D536,240 S * 2/2007 Vejmarker D8/354

* cited by examiner

Primary Examiner—Holly H. Baynham

Assistant Examiner—Sheryl Friedman

(74) *Attorney, Agent, or Firm*—Ladas & Parry LLP

(57) **CLAIM**

The ornamental design for a coupling, as shown and described.

DESCRIPTION

FIG. 1 is a perspective view of a coupling showing my new design;

FIG. 2 is a front elevational view thereof;

FIG. 3 is a left side elevational view thereof, the right side elevational view being a mirror image thereof;

FIG. 4 is a top plan view thereof;

FIG. 5 is a bottom plan view thereof; and,

FIG. 6 is a rear elevational view thereof.

1 Claim, 3 Drawing Sheets

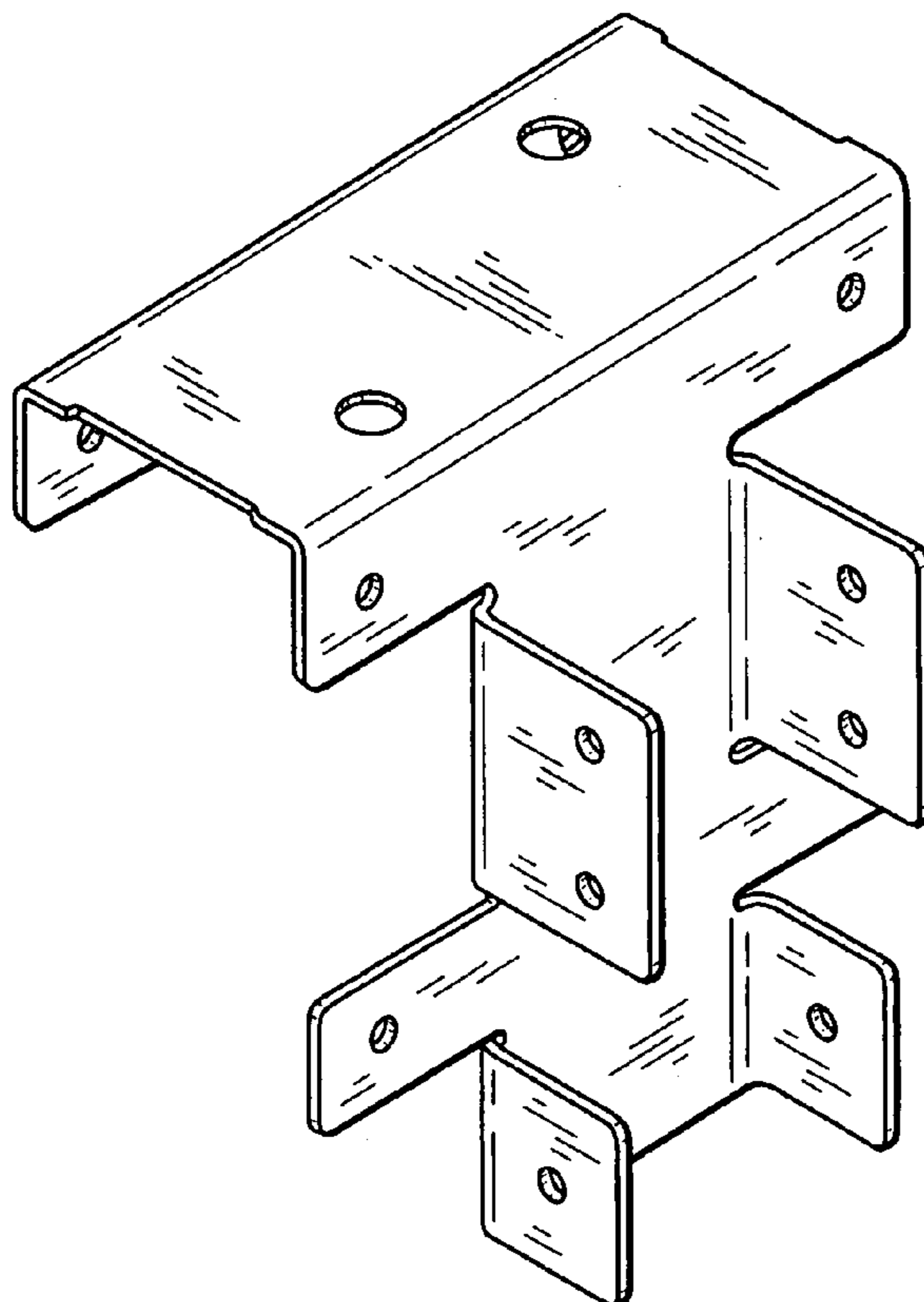


FIG. 1

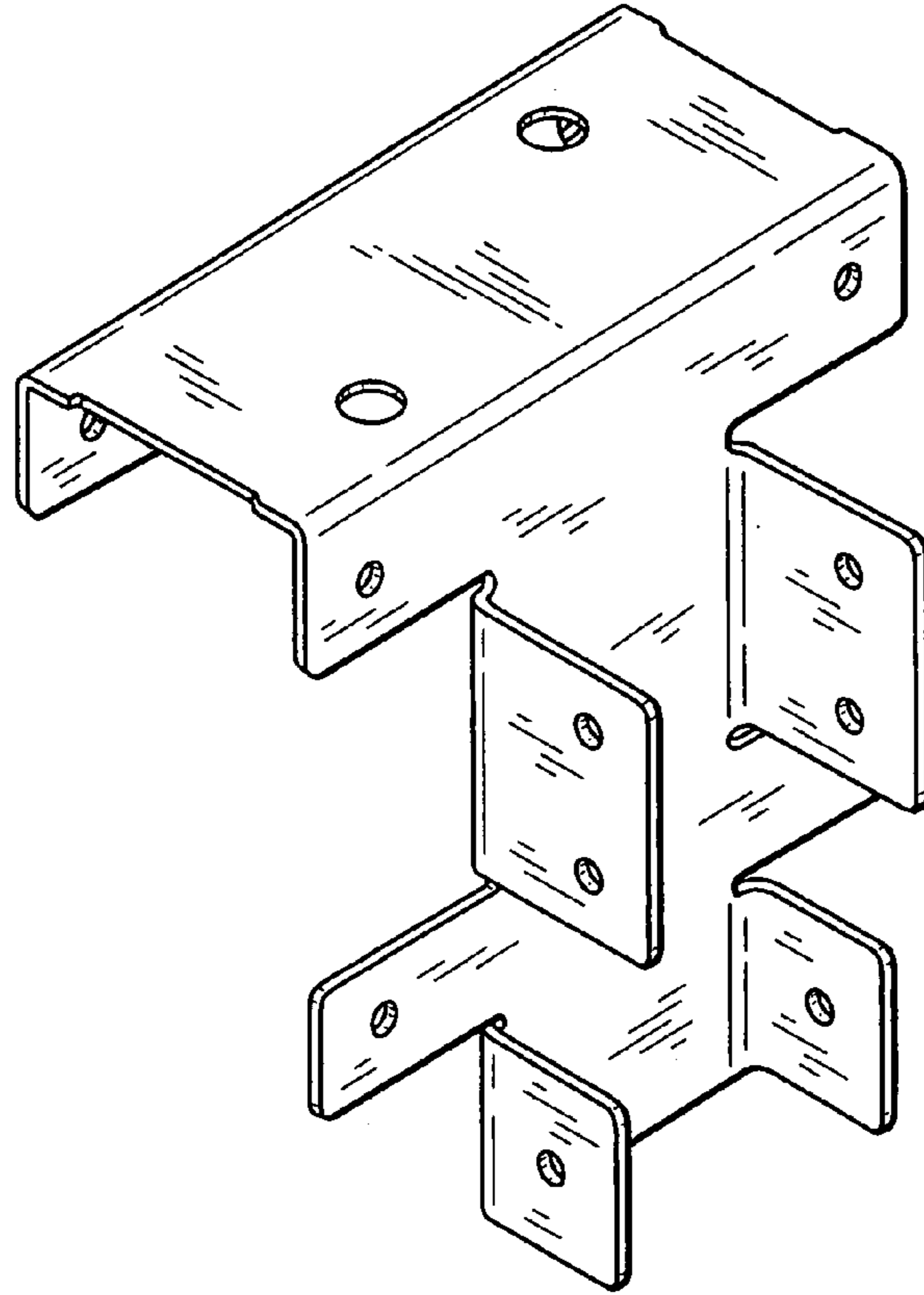


FIG. 2

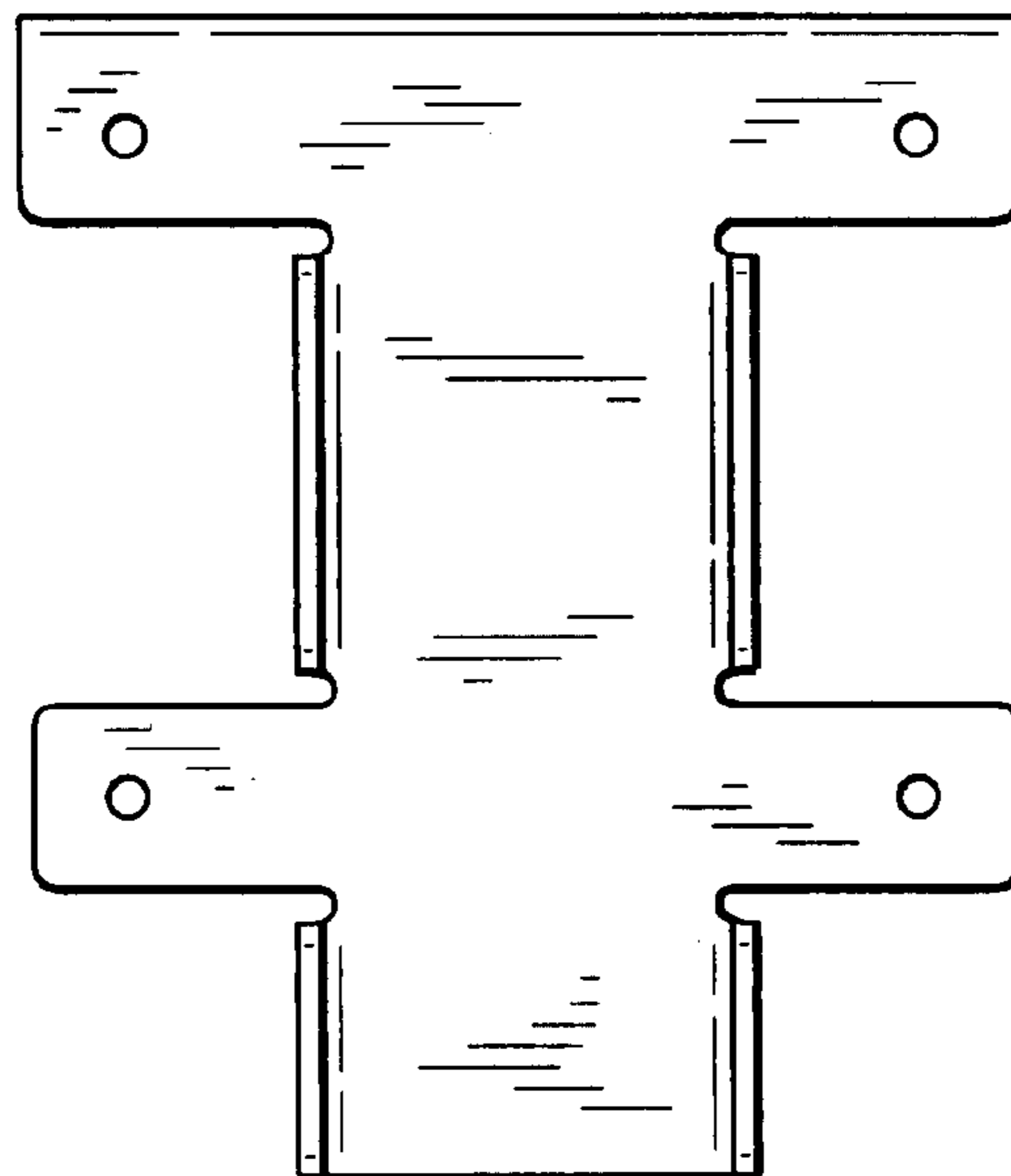


FIG. 3

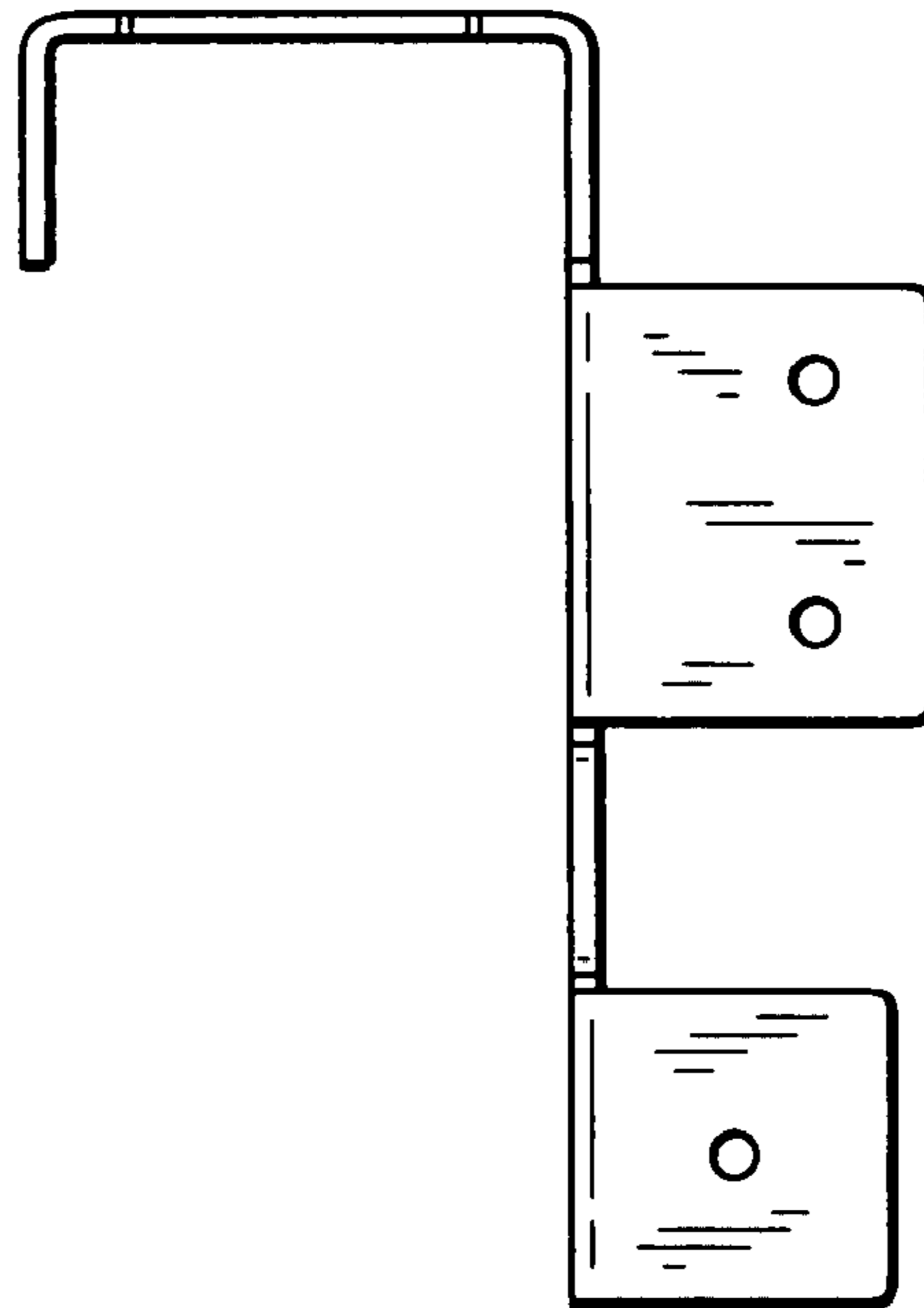


FIG. 4

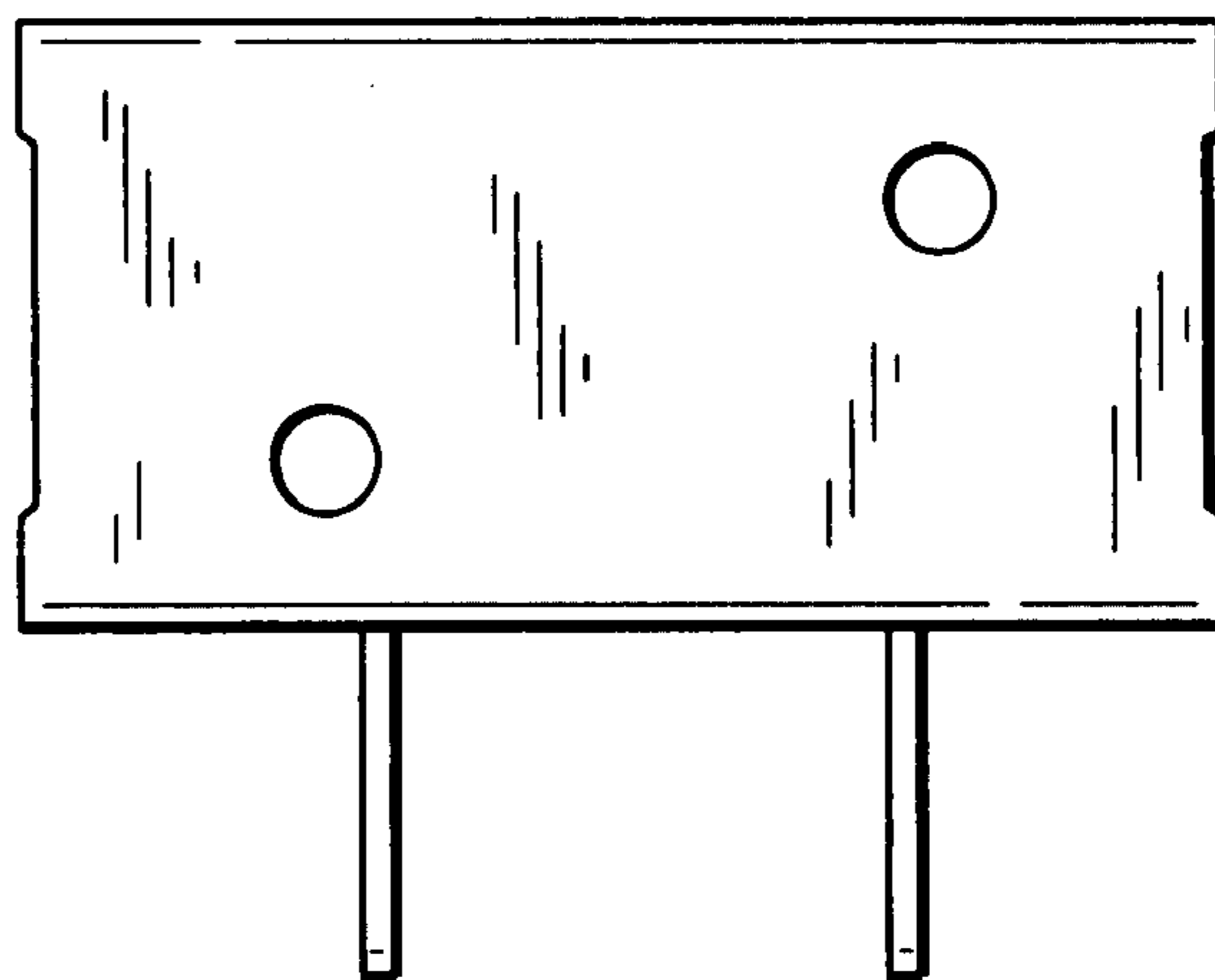


FIG. 5

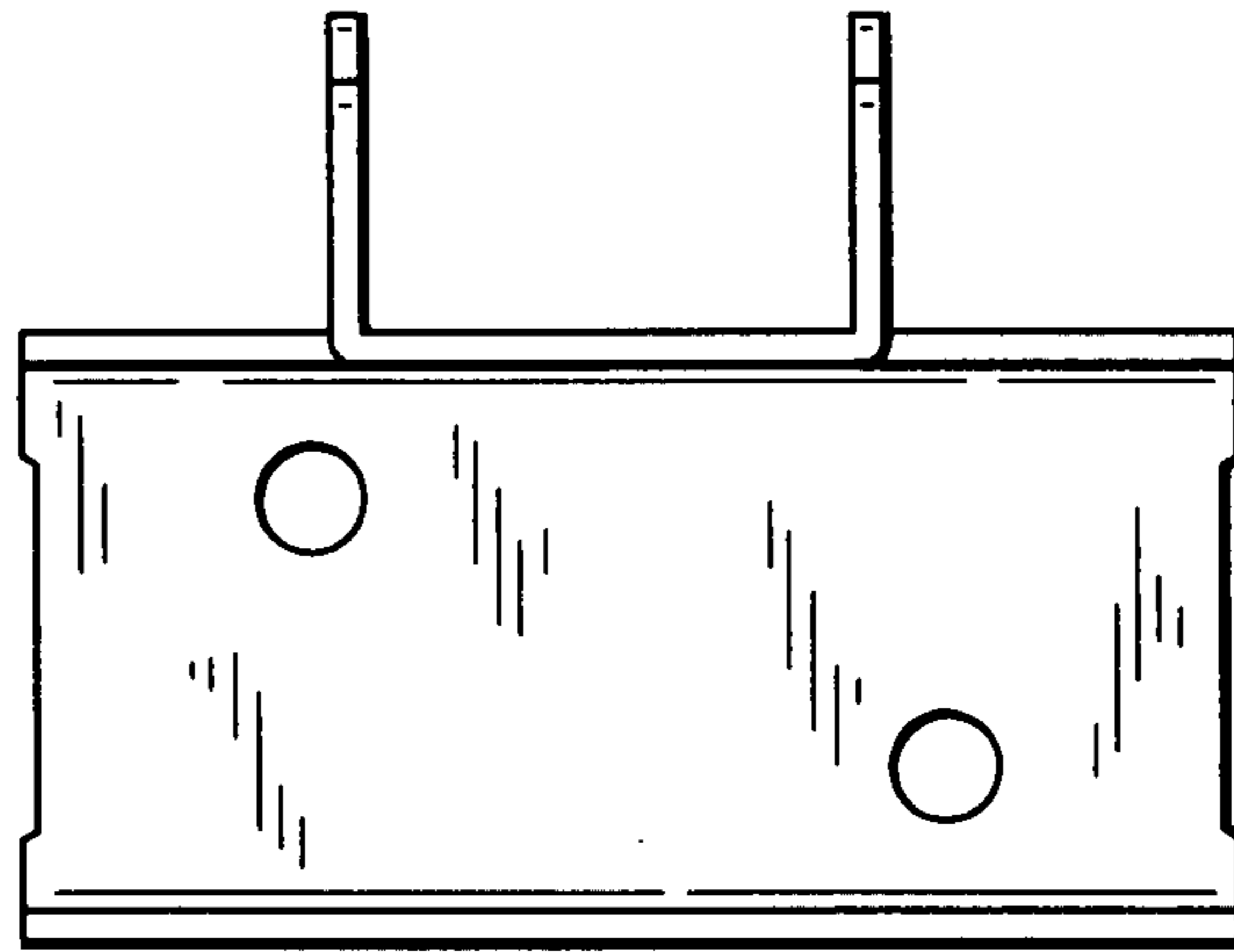


FIG. 6

