



US00D558040S

(12) **United States Design Patent**  
**Skinner**

(10) **Patent No.:** **US D558,040 S**

(45) **Date of Patent:** **\*\* Dec. 25, 2007**

(54) **COUPLING**

(75) **Inventor:** **Richard William Skinner**, Moranbah (AU)

(73) **Assignee:** **Onesteel Trading Pty Limited**, Sydney, NSW (AU)

(\*\*) **Term:** **14 Years**

(21) **Appl. No.:** **29/261,855**

(22) **Filed:** **Jun. 21, 2006**

(30) **Foreign Application Priority Data**

Dec. 22, 2005 (AU) ..... 15751/05

(51) **LOC (8) Cl.** ..... **08-08**

(52) **U.S. Cl.** ..... **D8/382; D8/354**

(58) **Field of Classification Search** ..... D8/382, D8/349, 354; 403/169, 167; 248/300, 309.1; 52/506.5, 586.1

See application file for complete search history.

(56) **References Cited**

**U.S. PATENT DOCUMENTS**

D364,794 S \* 12/1995 Eberschlag ..... D8/354  
D481,619 S \* 11/2003 Hightower ..... D8/382

D500,666 S \* 1/2005 Murphy et al. .... D8/354  
D500,667 S \* 1/2005 Murphy et al. .... D8/354  
D520,344 S \* 5/2006 Vejmarker ..... D8/354  
D523,735 S \* 6/2006 Craine ..... D8/354  
D536,240 S \* 2/2007 Vejmarker ..... D8/354

\* cited by examiner

*Primary Examiner*—Holly H. Baynham

*Assistant Examiner*—Sheryl Friedman

(74) *Attorney, Agent, or Firm*—Ladas & Parry LLP

(57) **CLAIM**

The ornamental design for a coupling, as shown and described.

**DESCRIPTION**

FIG. 1 is a perspective view of a coupling showing my new design;

FIG. 2 is a front elevational view thereof;

FIG. 3 is a right side elevational view thereof, the left side elevational view being a mirror image thereof;

FIG. 4 is a rear elevational view thereof;

FIG. 5 is a bottom view thereof; and,

FIG. 6 is a top plan view thereof.

**1 Claim, 2 Drawing Sheets**

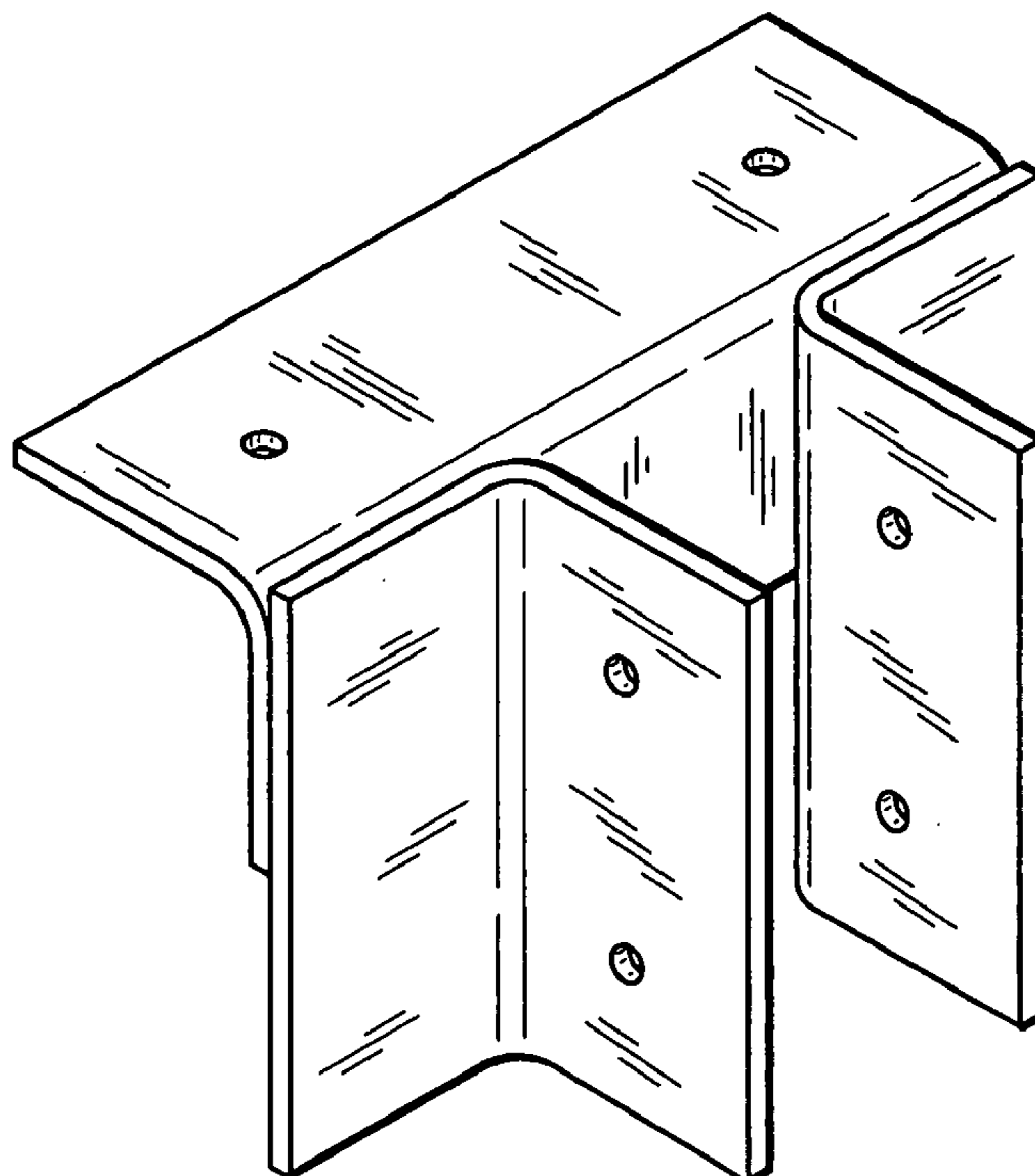


FIG. 1

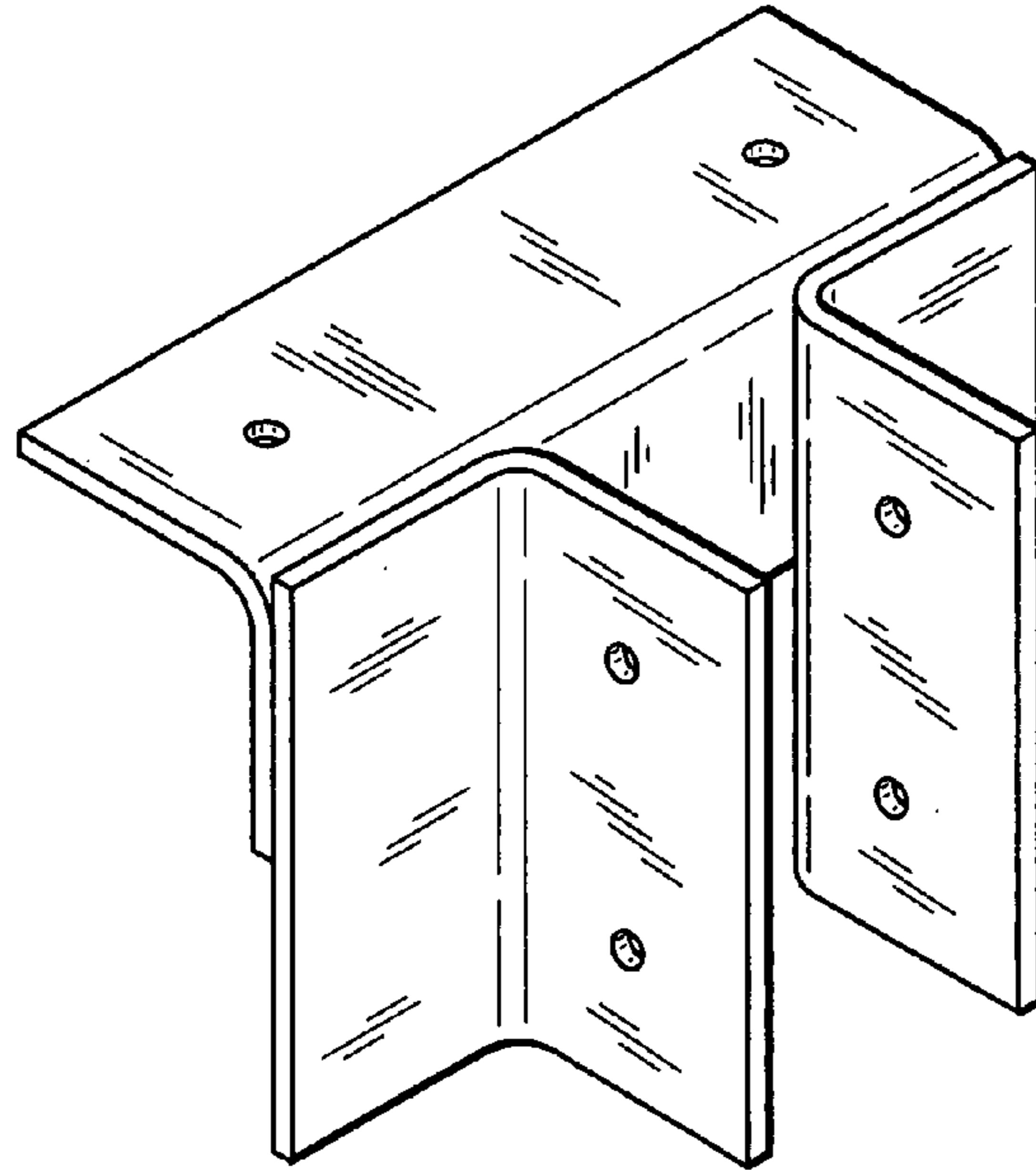


FIG. 2

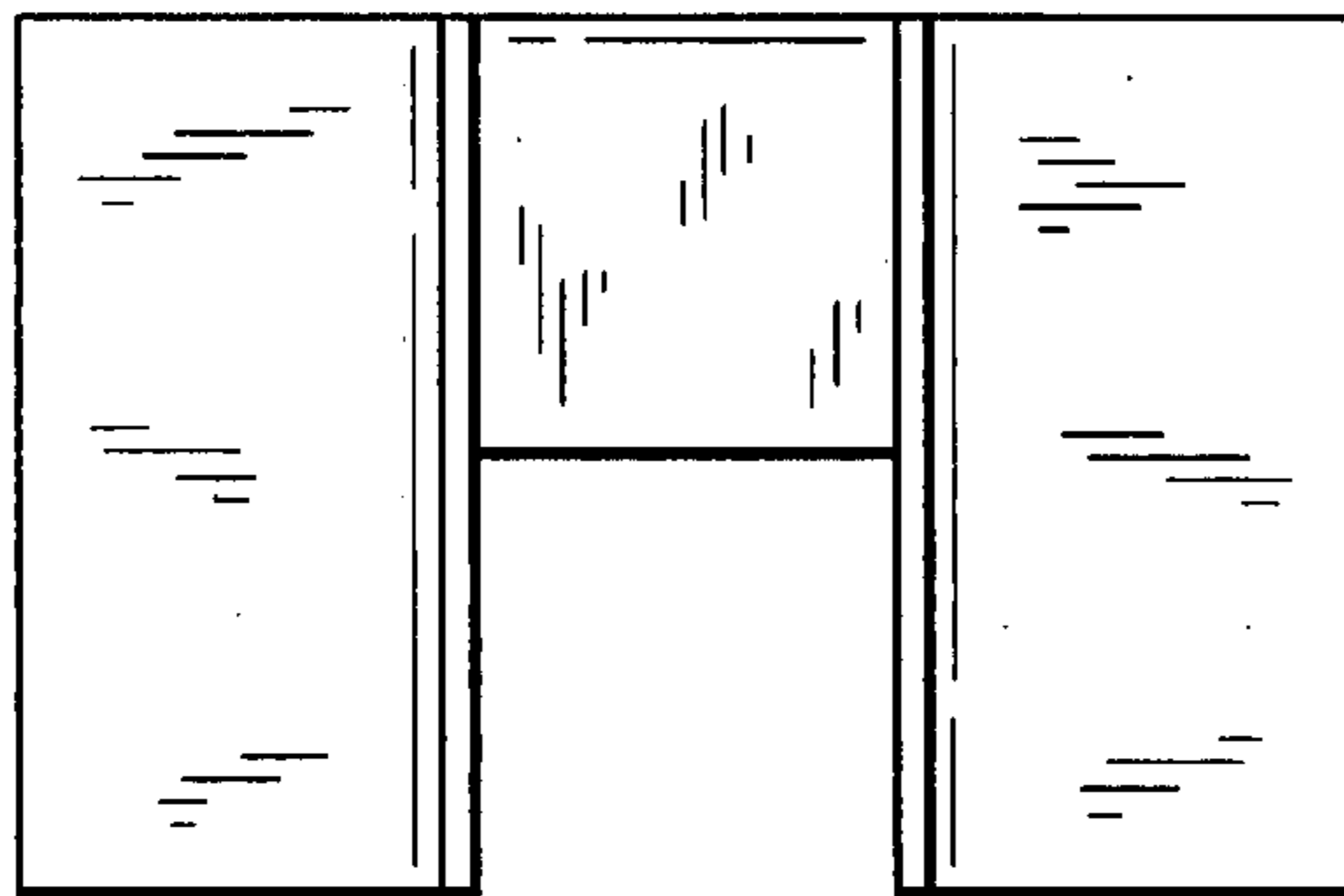


FIG. 3

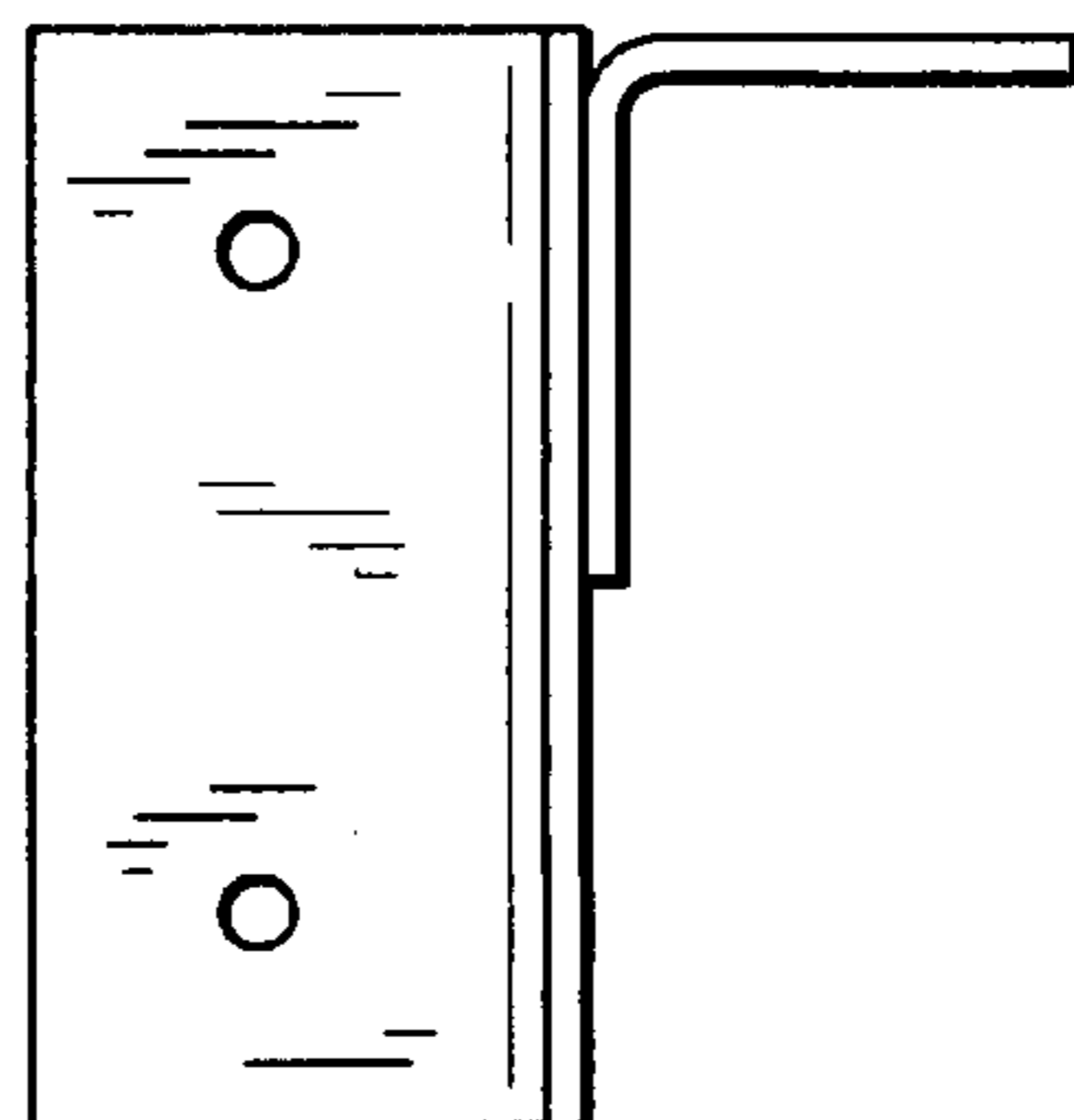


FIG. 4

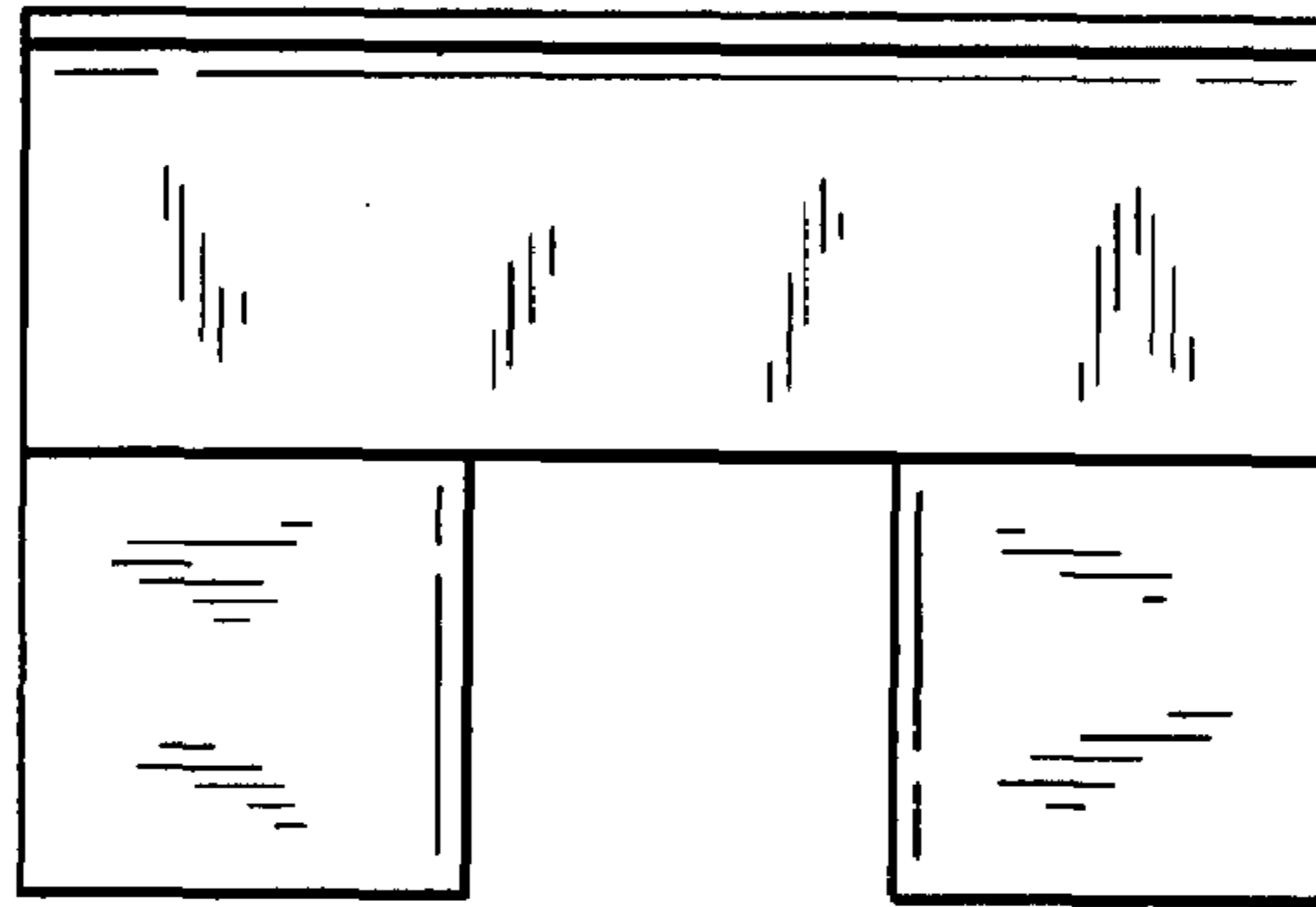


FIG. 5

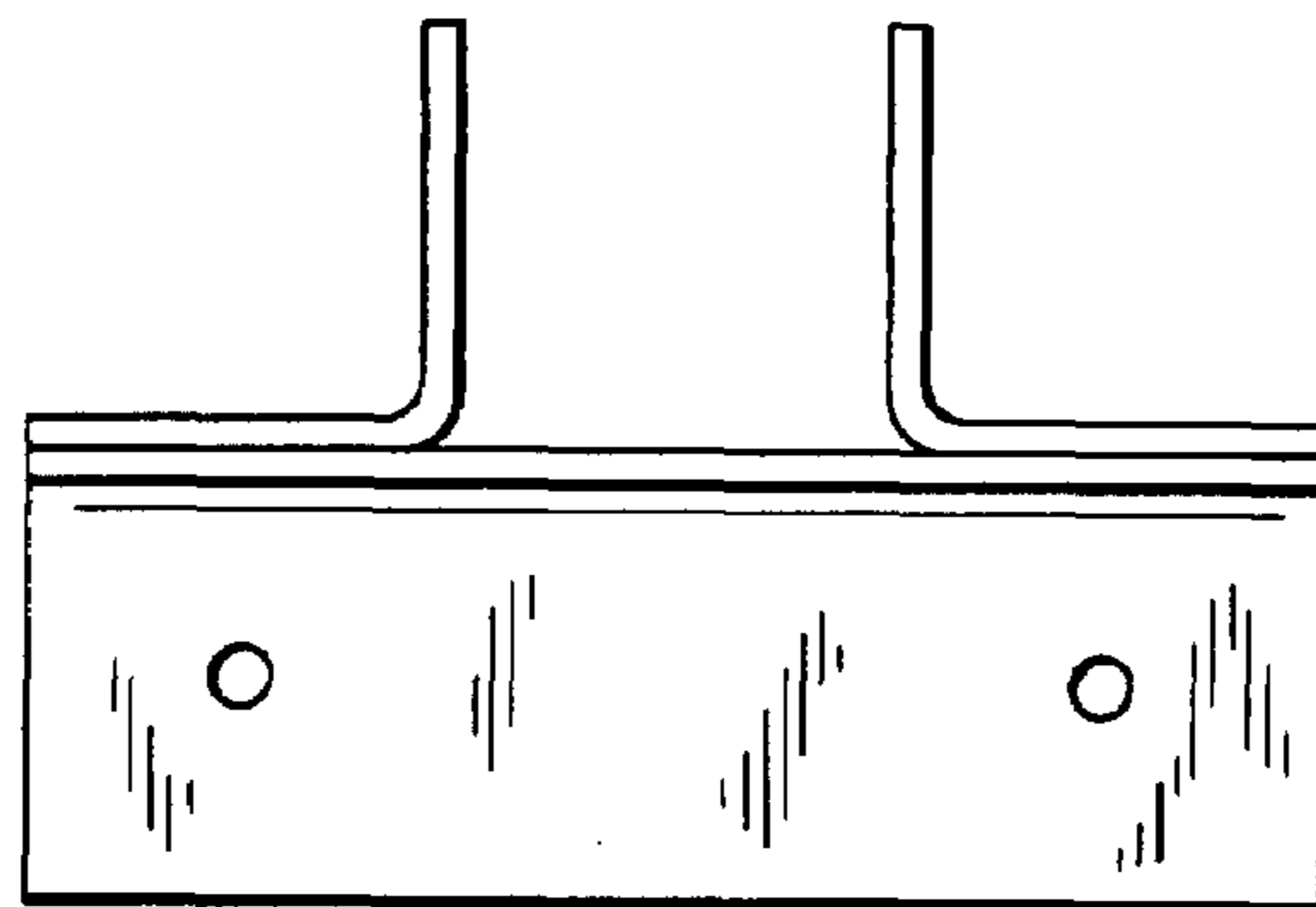


FIG. 6

