



US00D558037S

(12) **United States Design Patent**
Chelchowski et al.

(10) **Patent No.:** **US D558,037 S**

(45) **Date of Patent:** **** Dec. 25, 2007**

(54) **O-RING**

(75) Inventors: **David Chelchowski**, Largs Bay (AU);
Geoffrey Brian Puckett, Hallett Cove
(AU); **Malcolm Pridham**, Sheldow
Park (AU)

(73) Assignee: **Philmac Pty Ltd**, North Plympton,
South Australia (AU)

(**) Term: **14 Years**

(21) Appl. No.: **29/258,058**

(22) Filed: **Apr. 13, 2006**

(51) **LOC (8) Cl.** **08-08**

(52) **U.S. Cl.** **D8/382**

(58) **Field of Classification Search** D8/382;
D23/262

See application file for complete search history.

(56) **References Cited**

U.S. PATENT DOCUMENTS

D238,586 S * 1/1976 Smith D27/138
D243,456 S * 2/1977 Ryan D23/262
D243,457 S * 2/1977 Ryan D23/262
D296,579 S * 7/1988 Hattori D23/262
D308,011 S * 5/1990 Norris D8/356

D332,653 S * 1/1993 Ryan D23/262
D383,053 S * 9/1997 Schrader et al. D8/382
D383,378 S * 9/1997 Schrader et al. D8/382
6,325,390 B1 * 12/2001 Sillmon 277/614
D480,953 S * 10/2003 Lee et al. D8/399

* cited by examiner

Primary Examiner—Holly H. Baynham

Assistant Examiner—Sheryl Friedman

(74) *Attorney, Agent, or Firm*—Francis Law Group

(57) **CLAIM**

We claim the ornamental design for an o-ring, as shown and described.

DESCRIPTION

FIG. 1 is a top perspective view of our new design;

FIG. 2 is a bottom perspective view thereof;

FIG. 3 is a top plan view thereof;

FIG. 4 is a bottom plan view thereof;

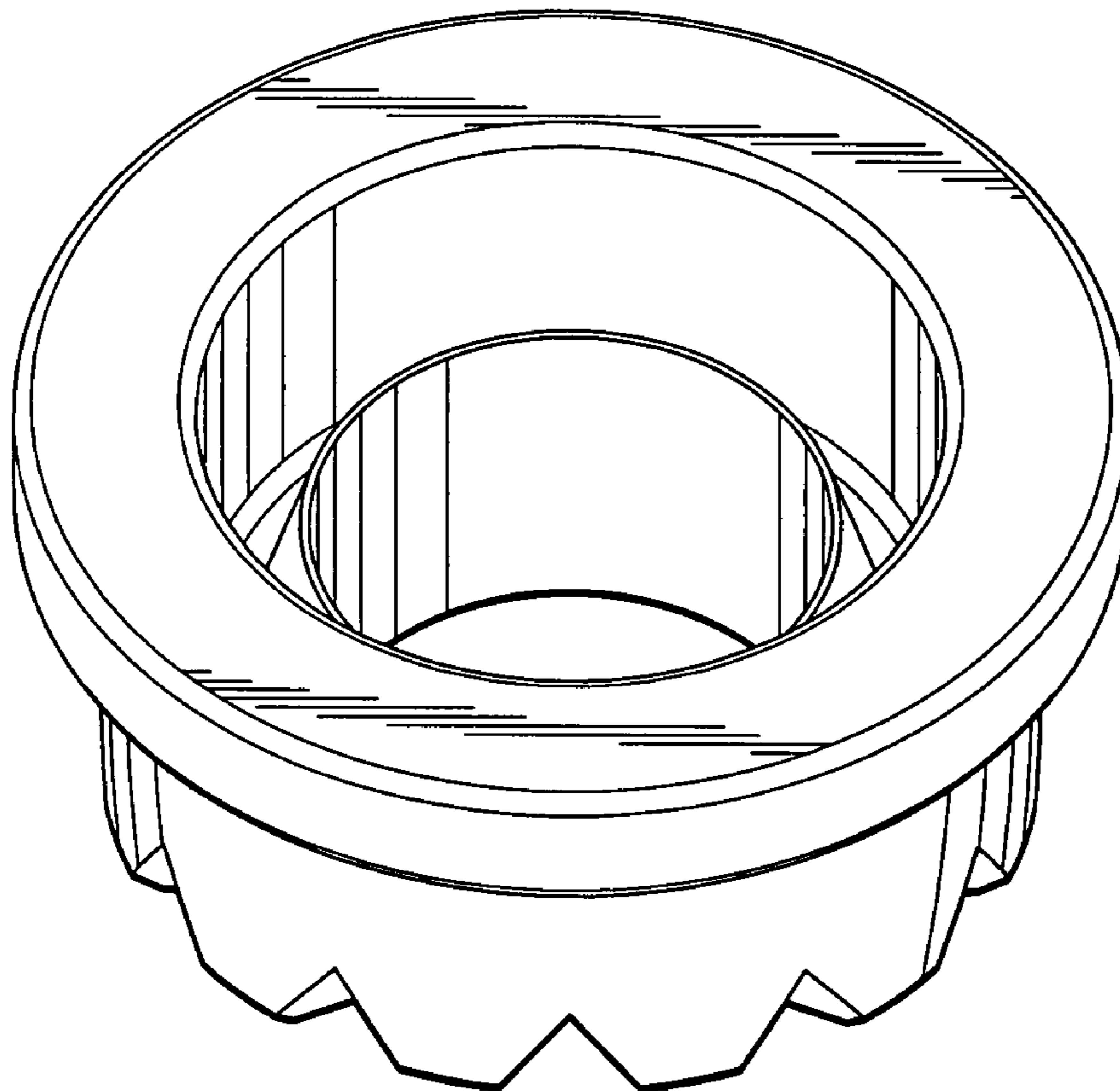
FIG. 5 is a front elevational view thereof;

FIG. 6 is a rear elevational view thereof;

FIG. 7 is a right side elevational view thereof; and,

FIG. 8 is a left side elevational view.

1 Claim, 3 Drawing Sheets



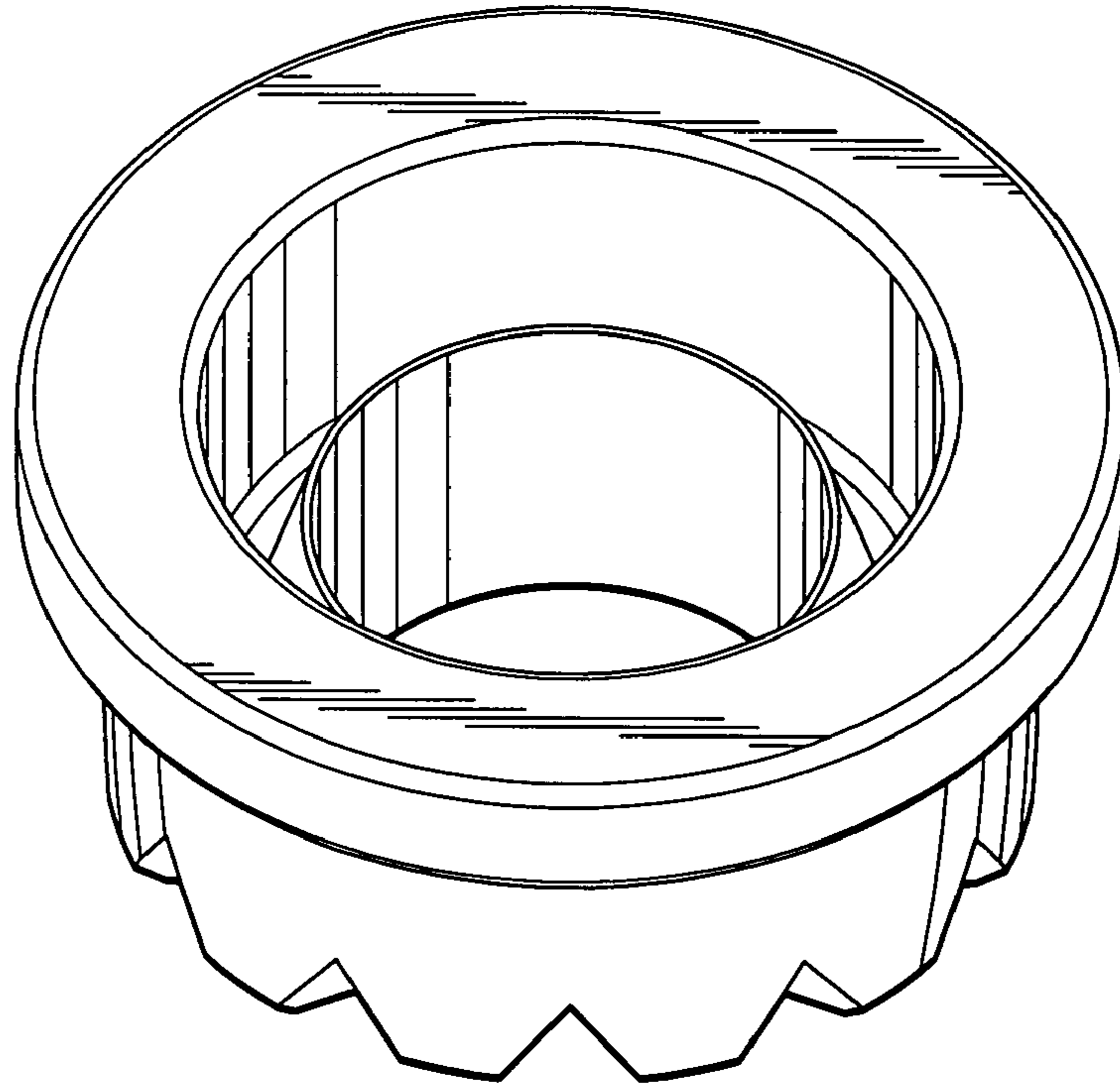


FIG.-1

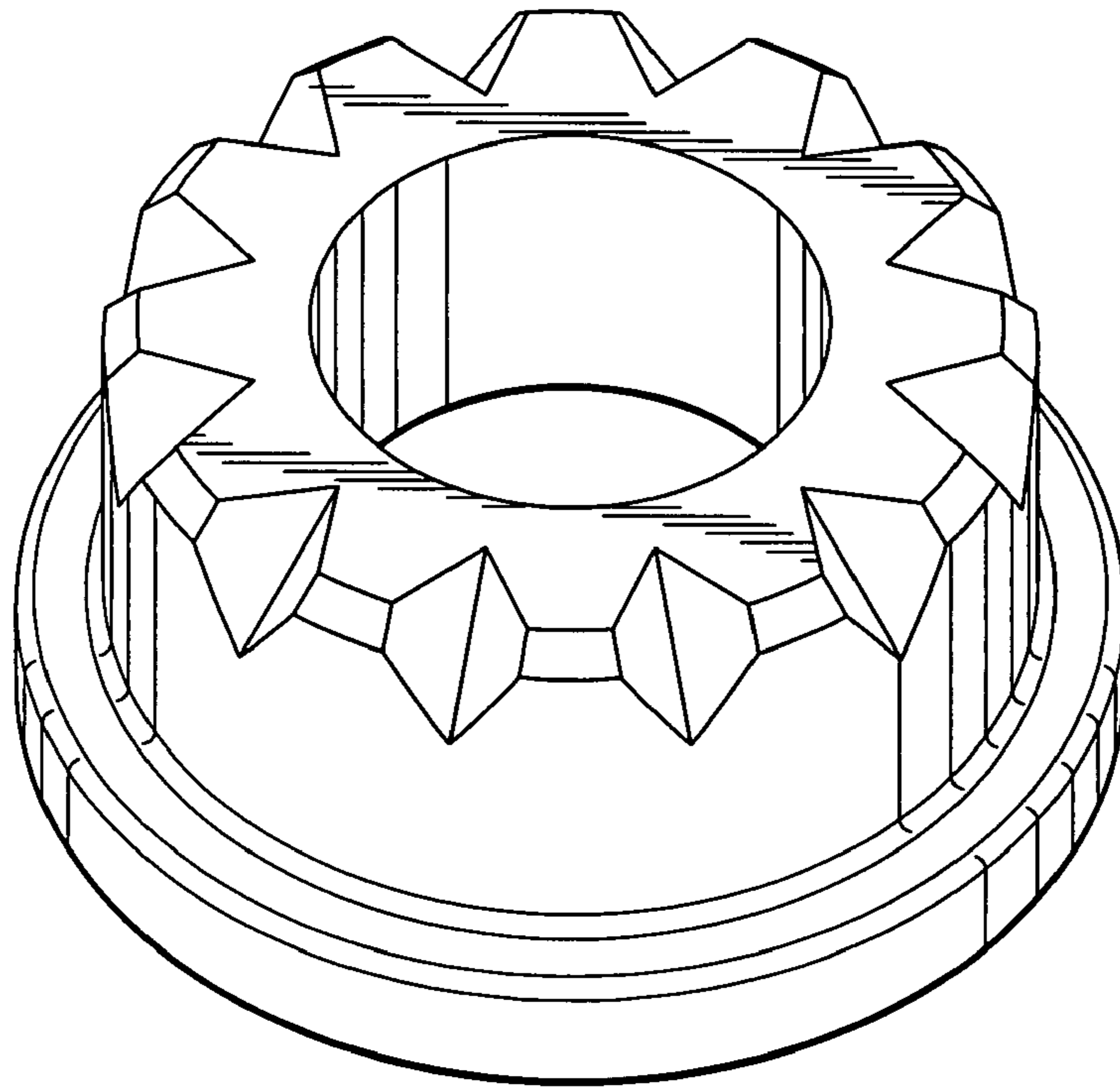


FIG.-2

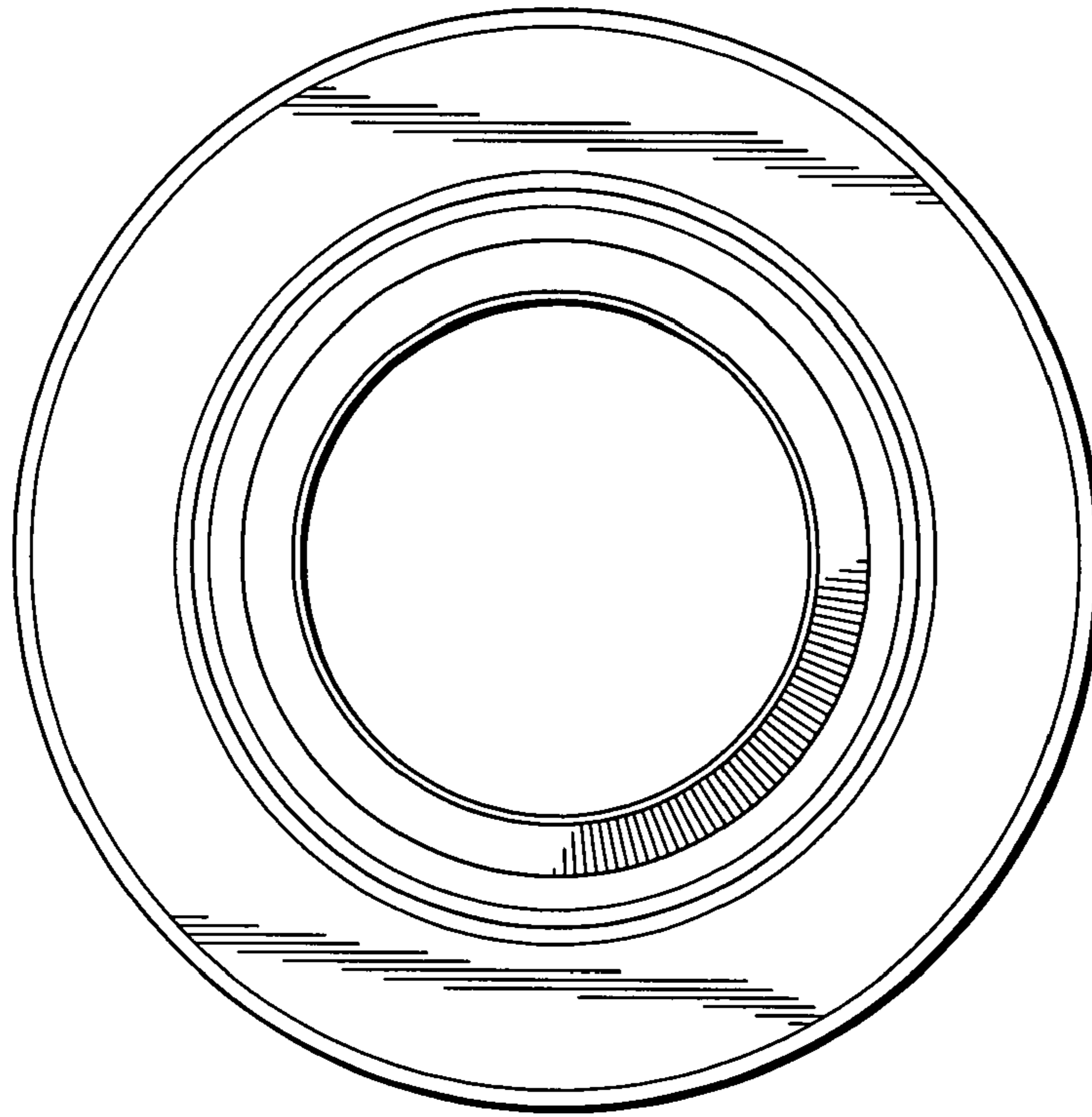


FIG. -3

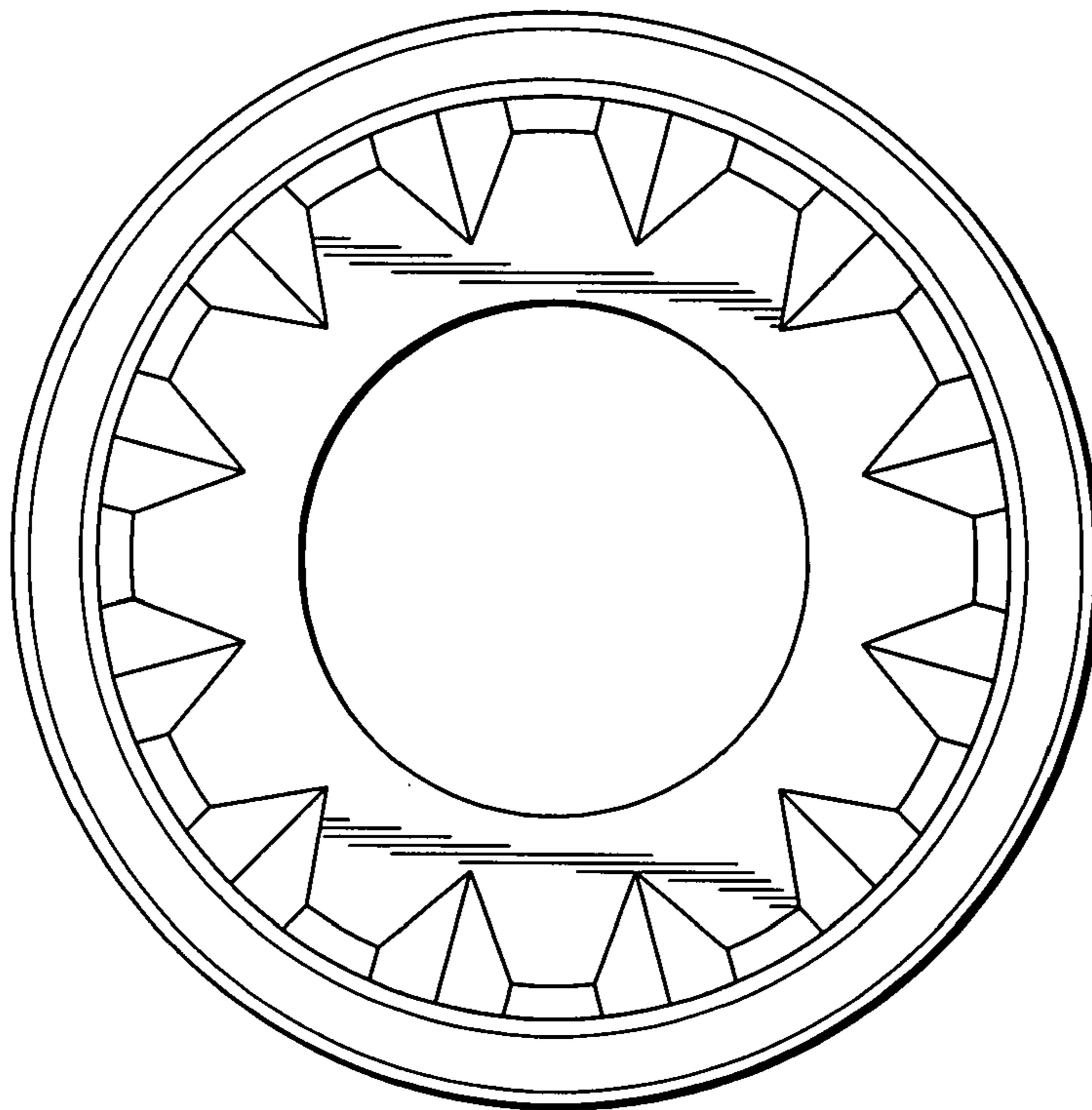


FIG. -4

FIG.-5

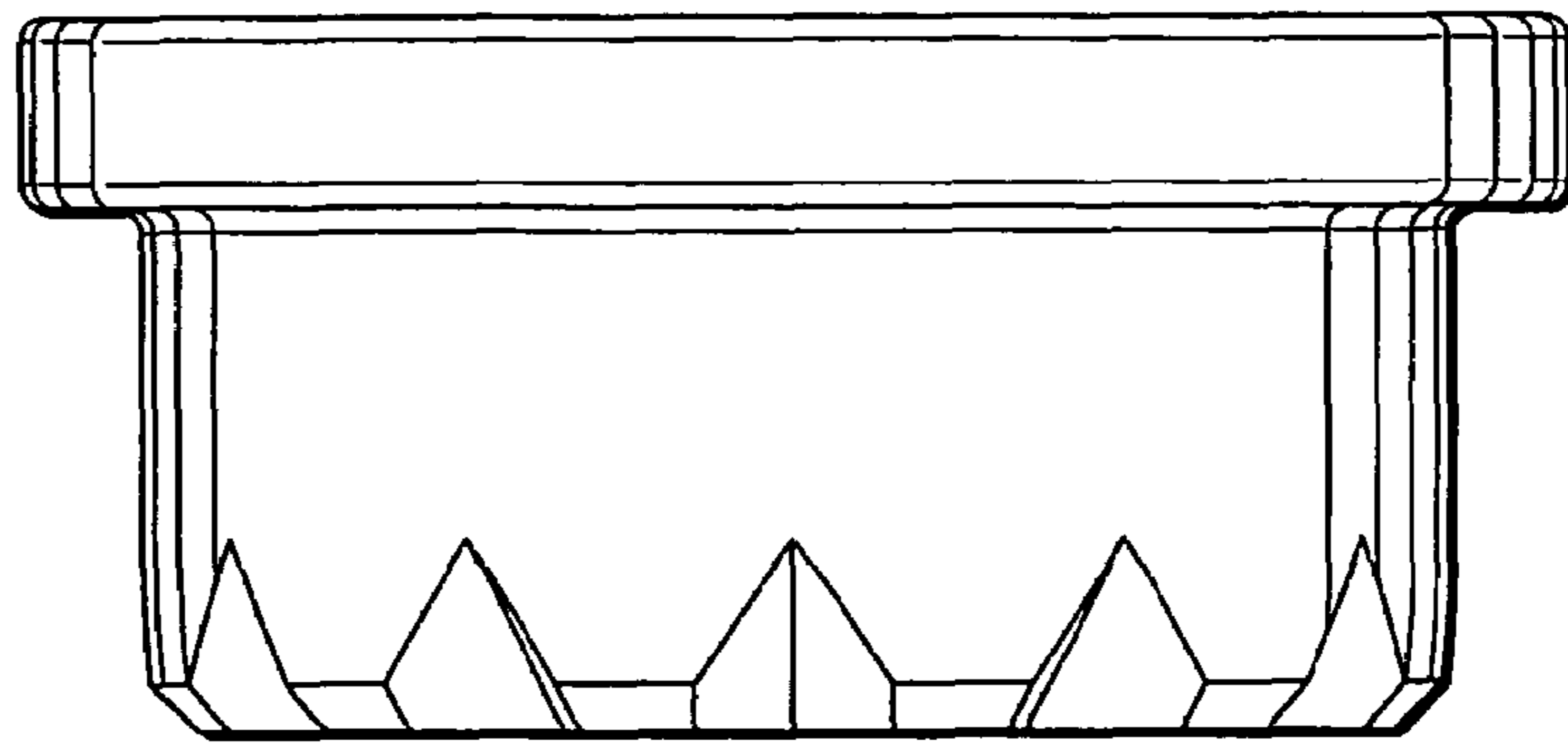


FIG.-6

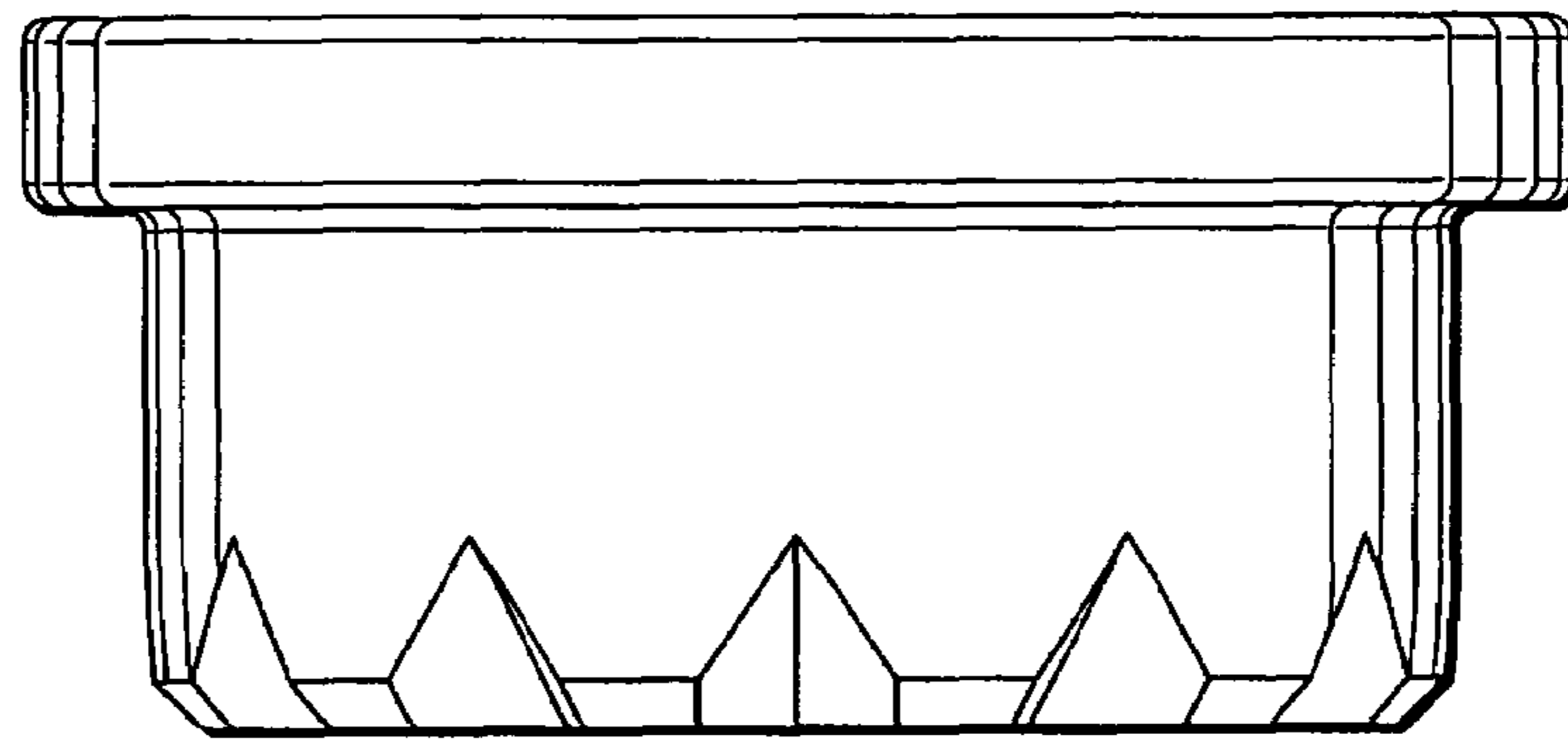


FIG.-7

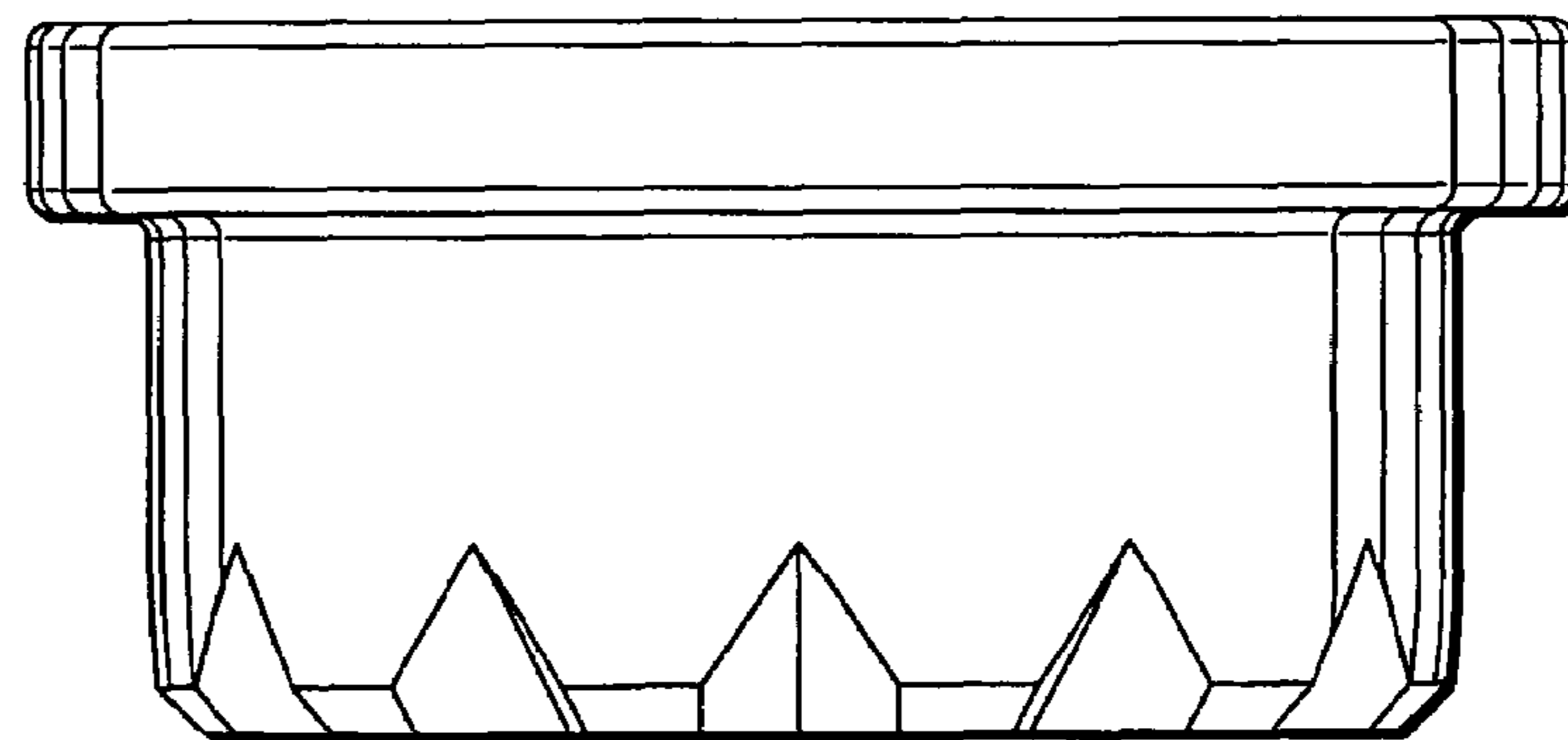


FIG.-8

