



US00D558036S

(12) **United States Design Patent**  
**Rogers**

(10) **Patent No.:** **US D558,036 S**

(45) **Date of Patent:** **\*\* Dec. 25, 2007**

(54) **WALL MOUNT SUPPORT ASSEMBLY**

(75) Inventor: **David John Rogers**, Eagle, ID (US)

(73) Assignee: **Securmount, Inc.**, Eagle, ID (US)

(\*\*) Term: **14 Years**

(21) Appl. No.: **29/261,681**

(22) Filed: **Jun. 15, 2006**

(51) **LOC (8) Cl.** ..... **08-05**

(52) **U.S. Cl.** ..... **D8/380**

(58) **Field of Classification Search** ..... D8/380,  
D8/373, 363; D25/136, 122, 119; D14/451;  
52/718.04, 716.1; 256/69, 67, 24; 248/220.1,  
248/200, 205.3, 201, 207, 917, 266, 294.1,  
248/291.1, 292.13, 289.11, 225.21

See application file for complete search history.

(56) **References Cited**

**U.S. PATENT DOCUMENTS**

1,815,767 A *	7/1931	Fusmer	.....	248/475.1
6,923,413 B2 *	8/2005	Dozier	.....	248/225.21
7,070,156 B2 *	7/2006	Liao	.....	248/466

\* cited by examiner

*Primary Examiner*—Robert M. Spear

*Assistant Examiner*—Susan Bennett Hattan

(74) *Attorney, Agent, or Firm*—Hani Z. Sayed; Rutan & Tucker, LLP

(57) **CLAIM**

The ornamental design for a wall mount support assembly, as shown and described.

**DESCRIPTION**

FIG. 1 is a front perspective view.

FIG. 2 is a back plan view of FIG. 1.

FIG. 3 is a front plan view of FIG. 1.

FIG. 4 is a left plan view of either of the side brackets of FIG. 1.

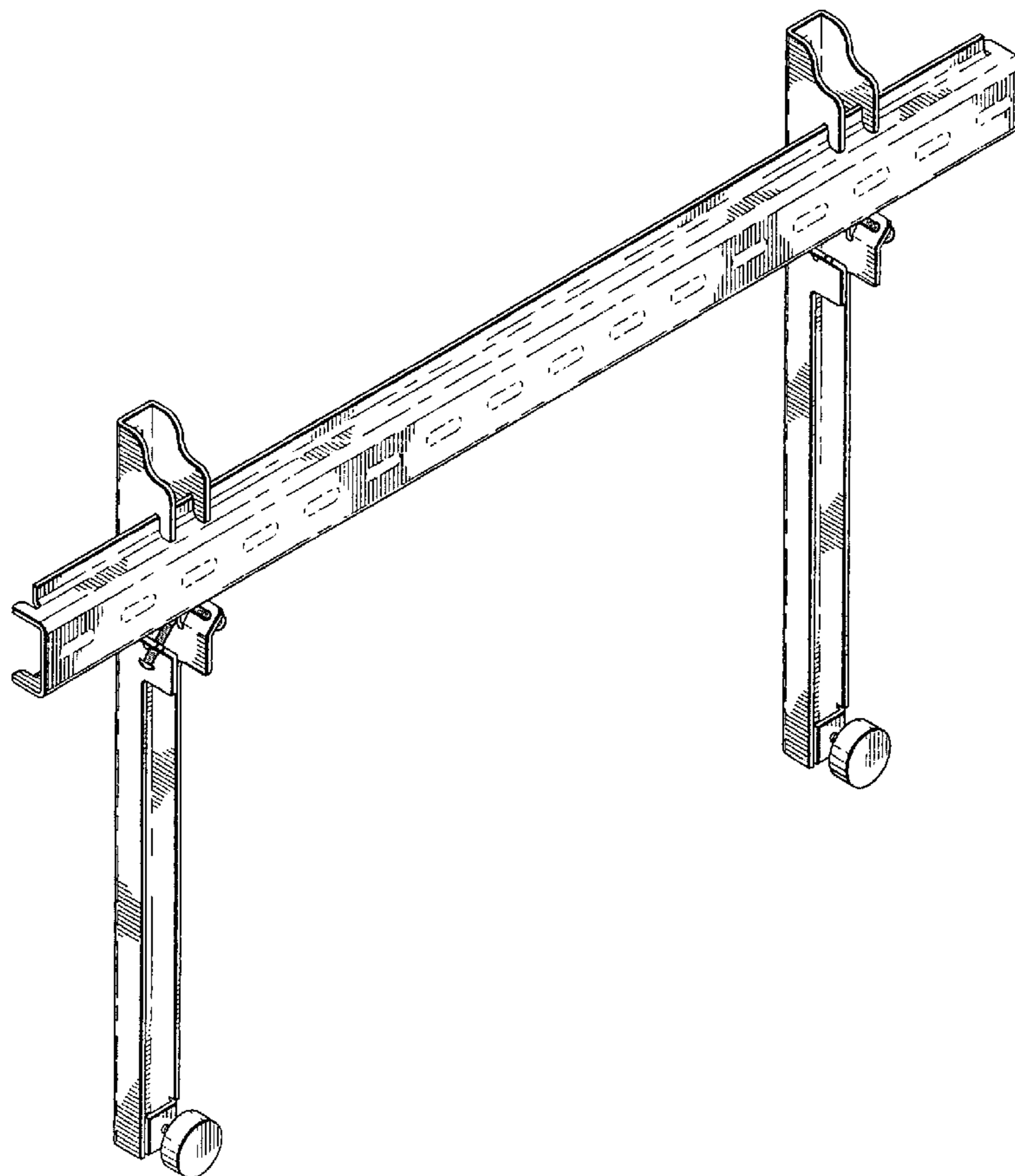
FIG. 5 is a right plan view of either of the side brackets of FIG. 1.

FIG. 6 is a top plan view of FIG. 1; and,

FIG. 7 is a bottom plan view of FIG. 1.

The broken lines in the drawings are for illustrative purposes only and form no part of the claimed design.

**1 Claim, 5 Drawing Sheets**



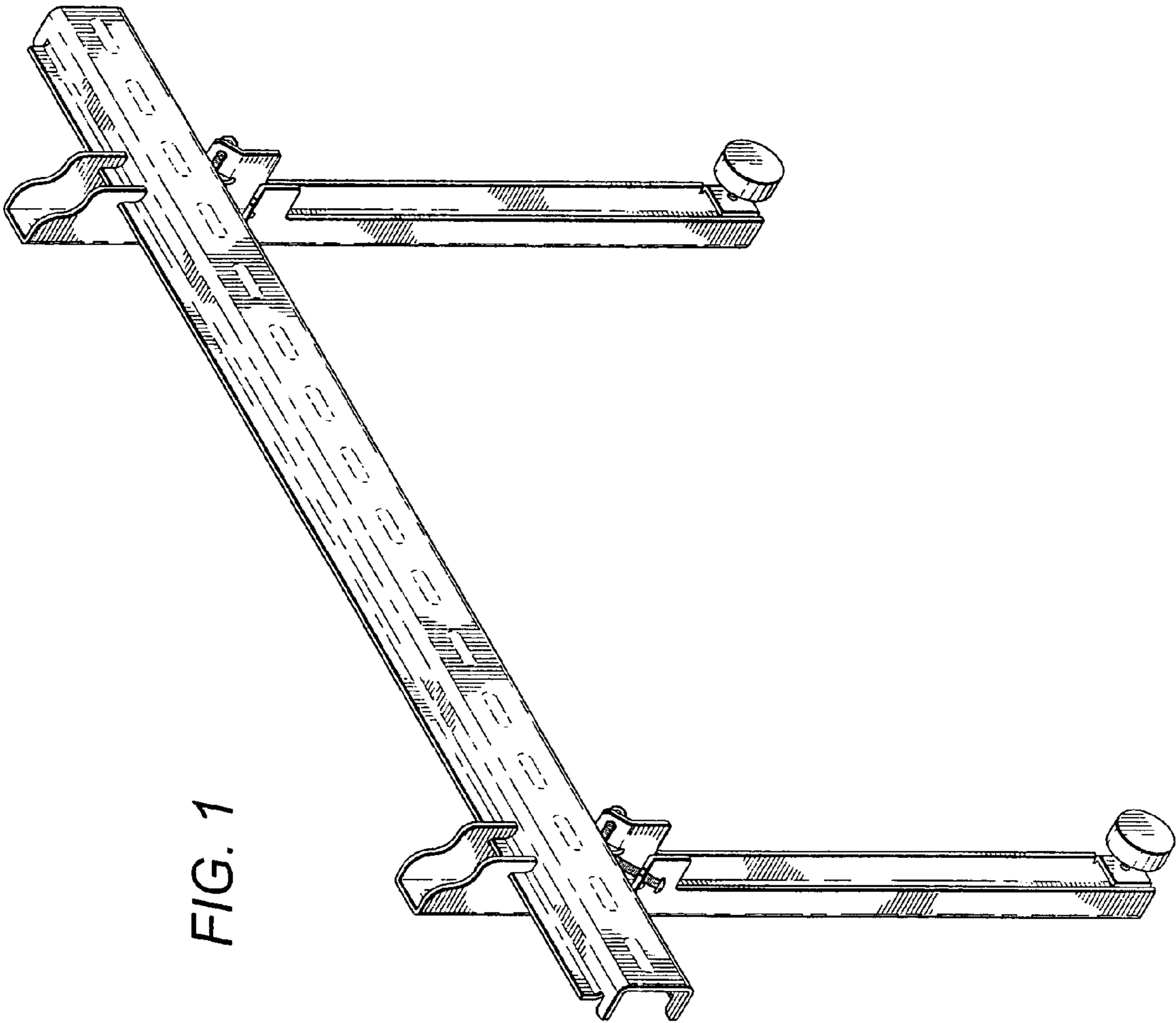


FIG. 1

FIG. 2

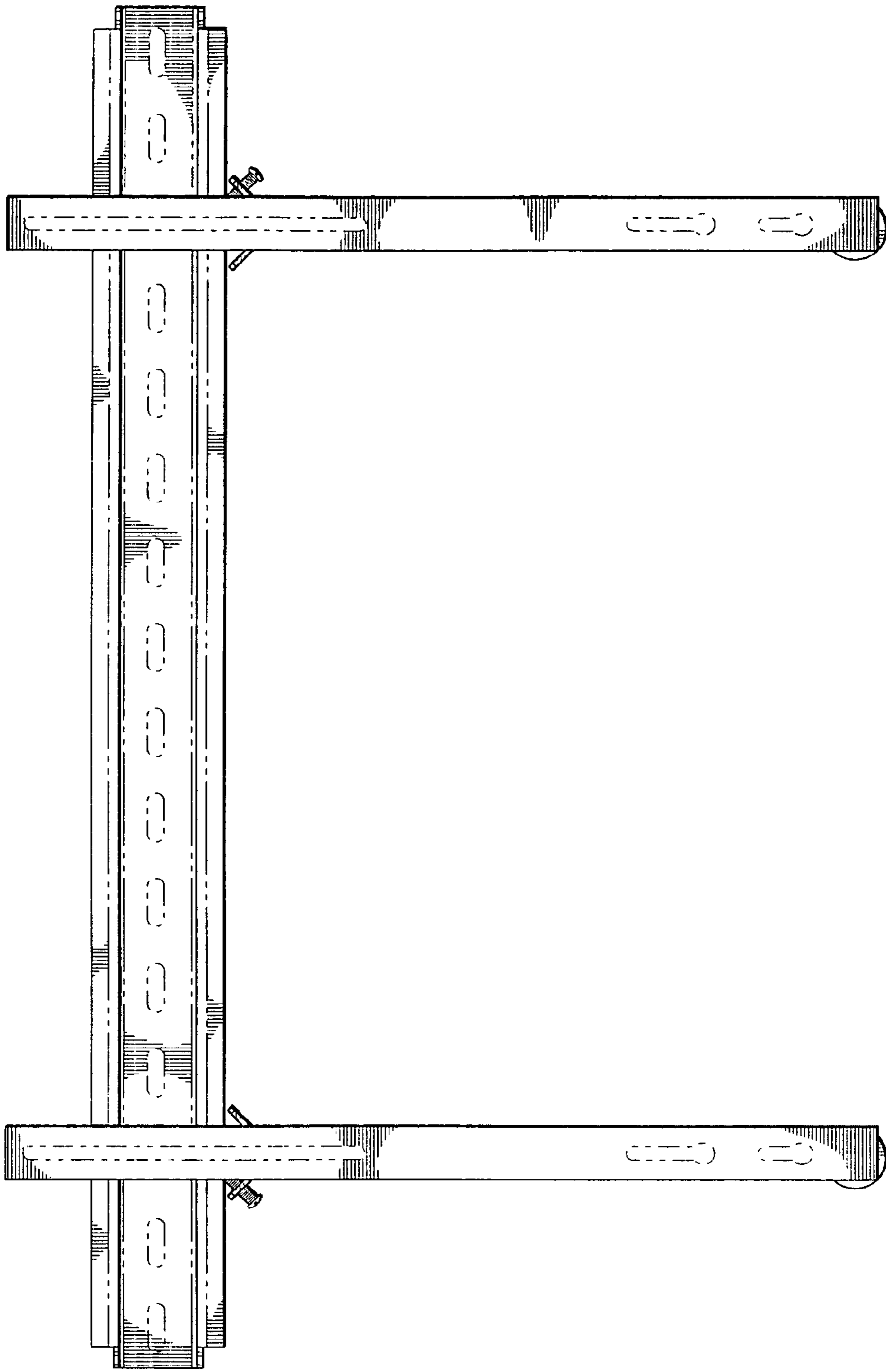
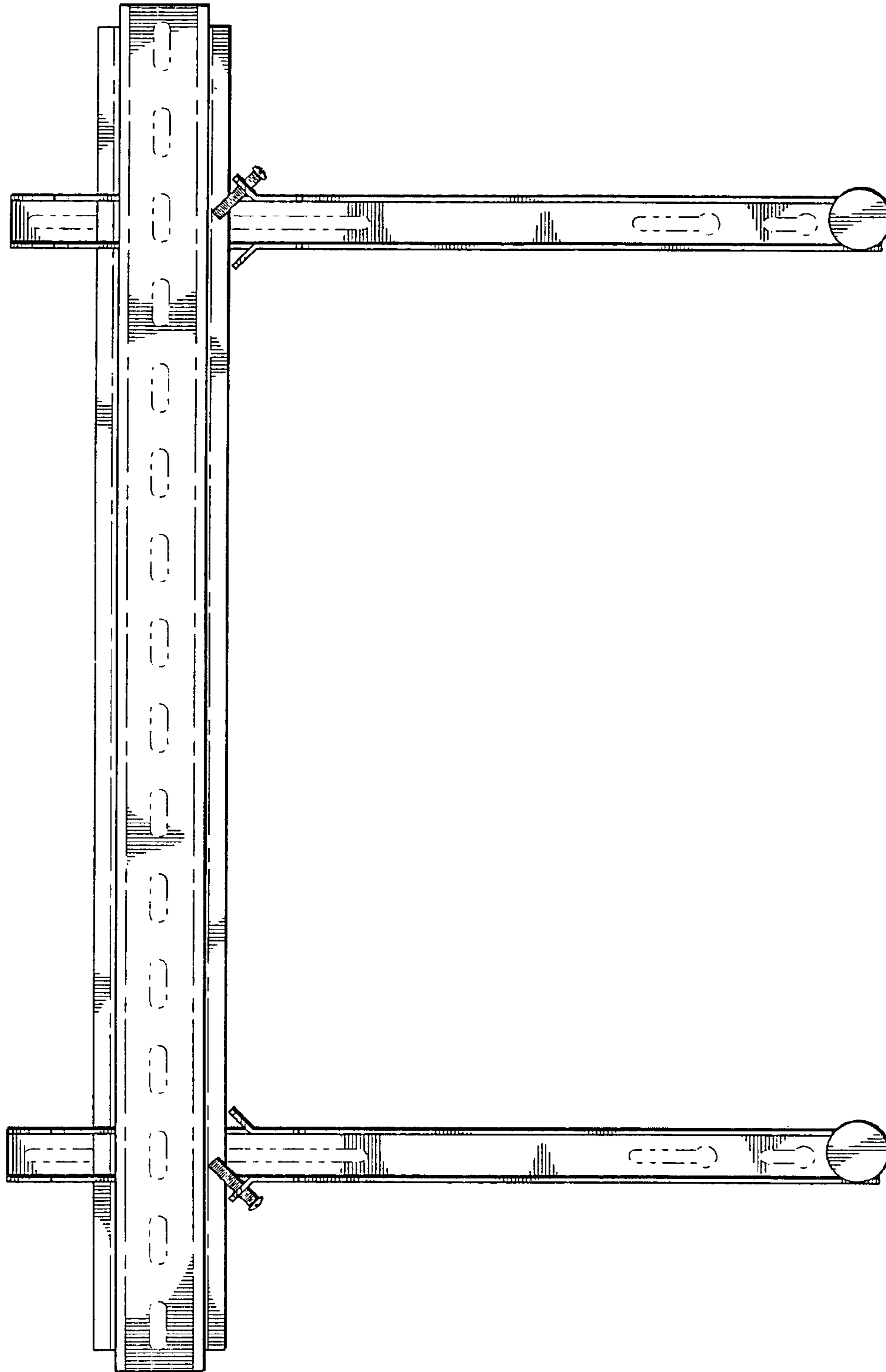
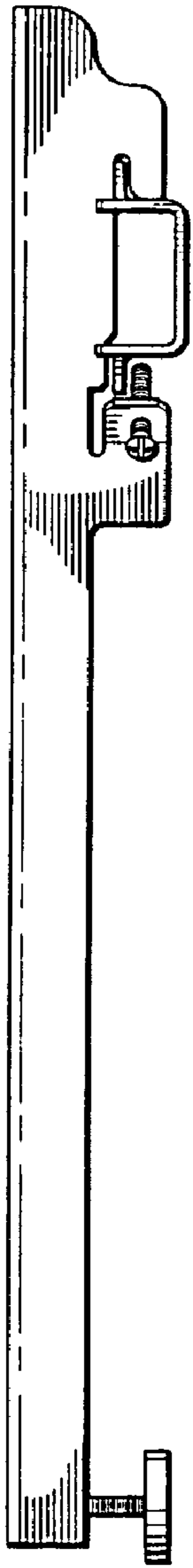


FIG. 3





*FIG. 4*



*FIG. 5*

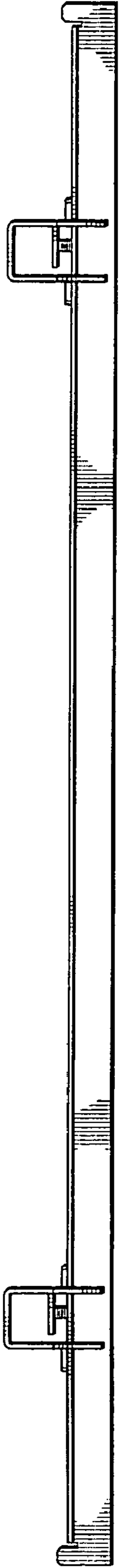


FIG. 6

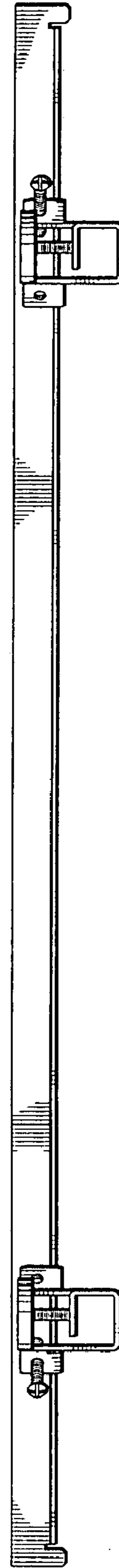


FIG. 7