



US00D558035S

(12) **United States Design Patent**  
**Egger**

(10) **Patent No.:** **US D558,035 S**

(45) **Date of Patent:** **\*\* Dec. 25, 2007**

(54) **CASTOR WITH HUB**

D460,346 S \* 7/2002 Screen et al. .... D8/375

(75) Inventor: **Julien Egger**, Santa Monica, CA (US)

\* cited by examiner

(73) Assignee: **True Seating Concepts, LLC** (MU)

*Primary Examiner*—Gary D. Watson

*Assistant Examiner*—Susan Bennett Hattan

(\*\*) Term: **14 Years**

(74) *Attorney, Agent, or Firm*—Morland C. Fischer

(21) Appl. No.: **29/259,663**

(57) **CLAIM**

(22) Filed: **May 15, 2006**

The ornamental design for a castor with hub, as shown and described.

(51) **LOC (8) Cl.** ..... **08-05**

(52) **U.S. Cl.** ..... **D8/375**

(58) **Field of Classification Search** ..... D8/375;  
D3/318; 190/18 A; 16/45-47, 40, 35 R,  
16/35 D, 31 R, 31 A, 29, 18 R, 18 CG; D12/501,  
D12/207-210, 204, 133

See application file for complete search history.

**DESCRIPTION**

FIG. 1 is a left side elevational view of a castor with hub which forms my new design;

FIG. 2 is a right side elevational view thereof;

FIG. 3 is a rear elevational view thereof;

FIG. 4 is a front elevational view thereof;

FIG. 5 is a bottom plan view thereof;

FIG. 6 is a top plan view thereof; and,

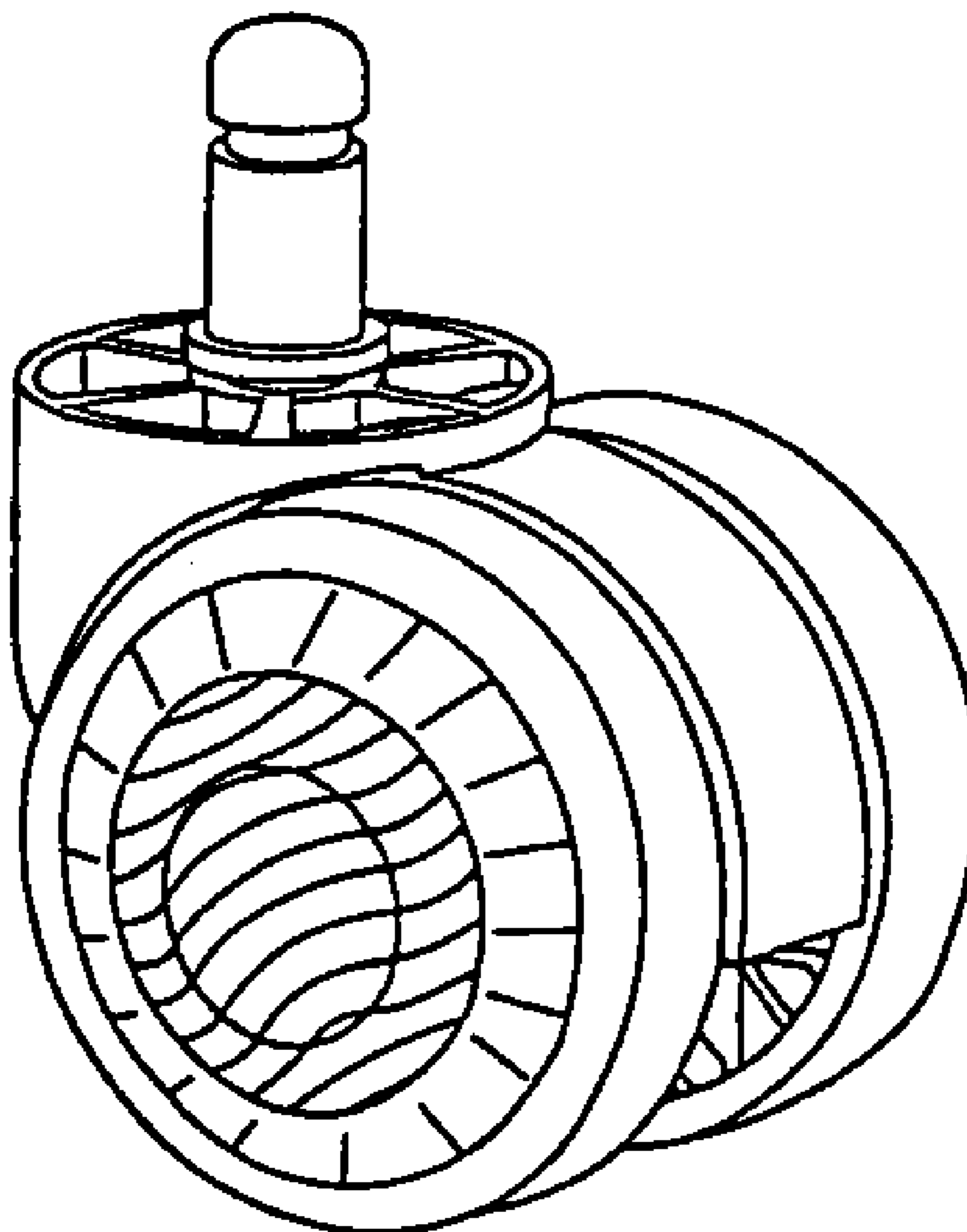
FIG. 7 is an enlarged perspective view showing the front, left side and top thereof.

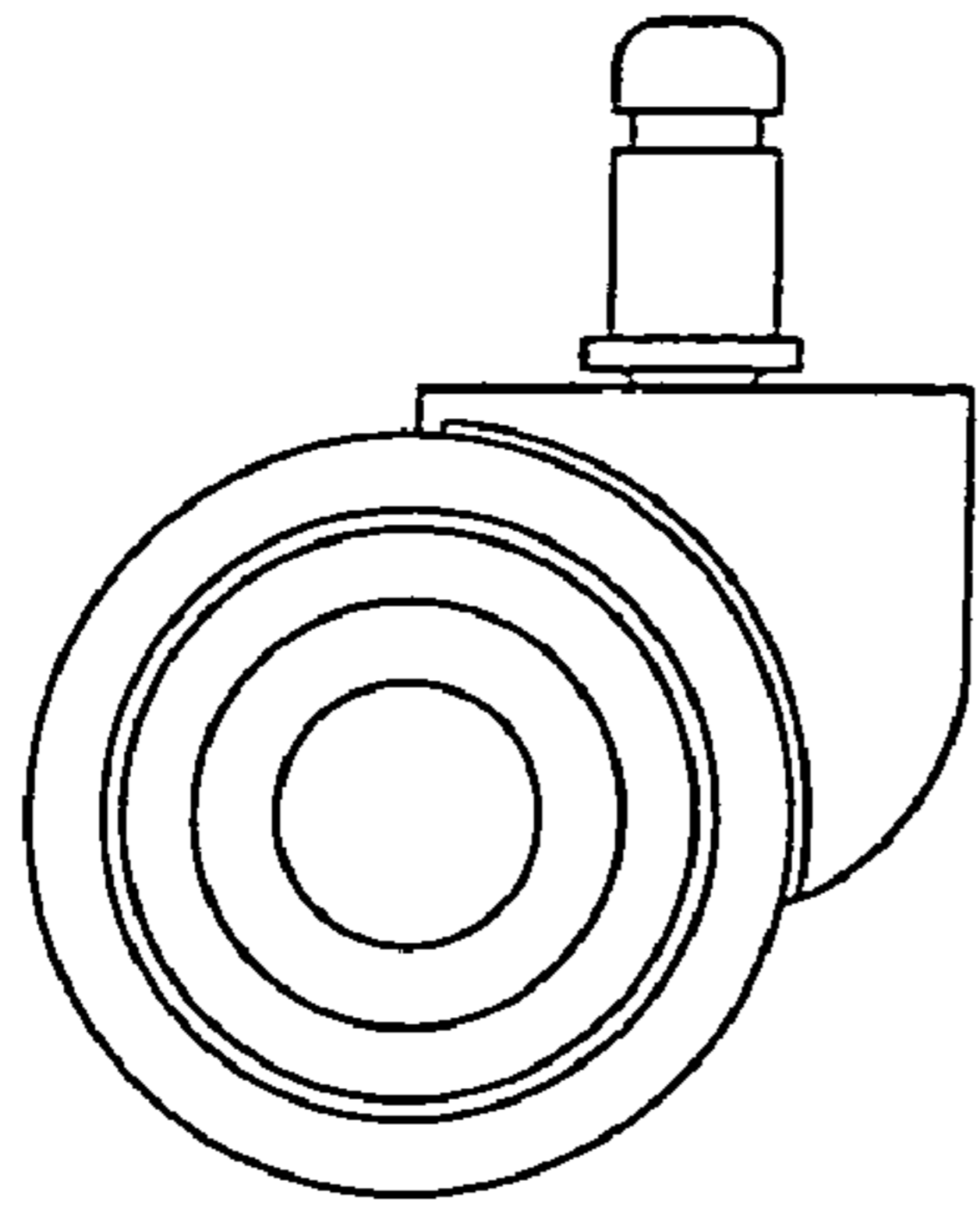
(56) **References Cited**

**U.S. PATENT DOCUMENTS**

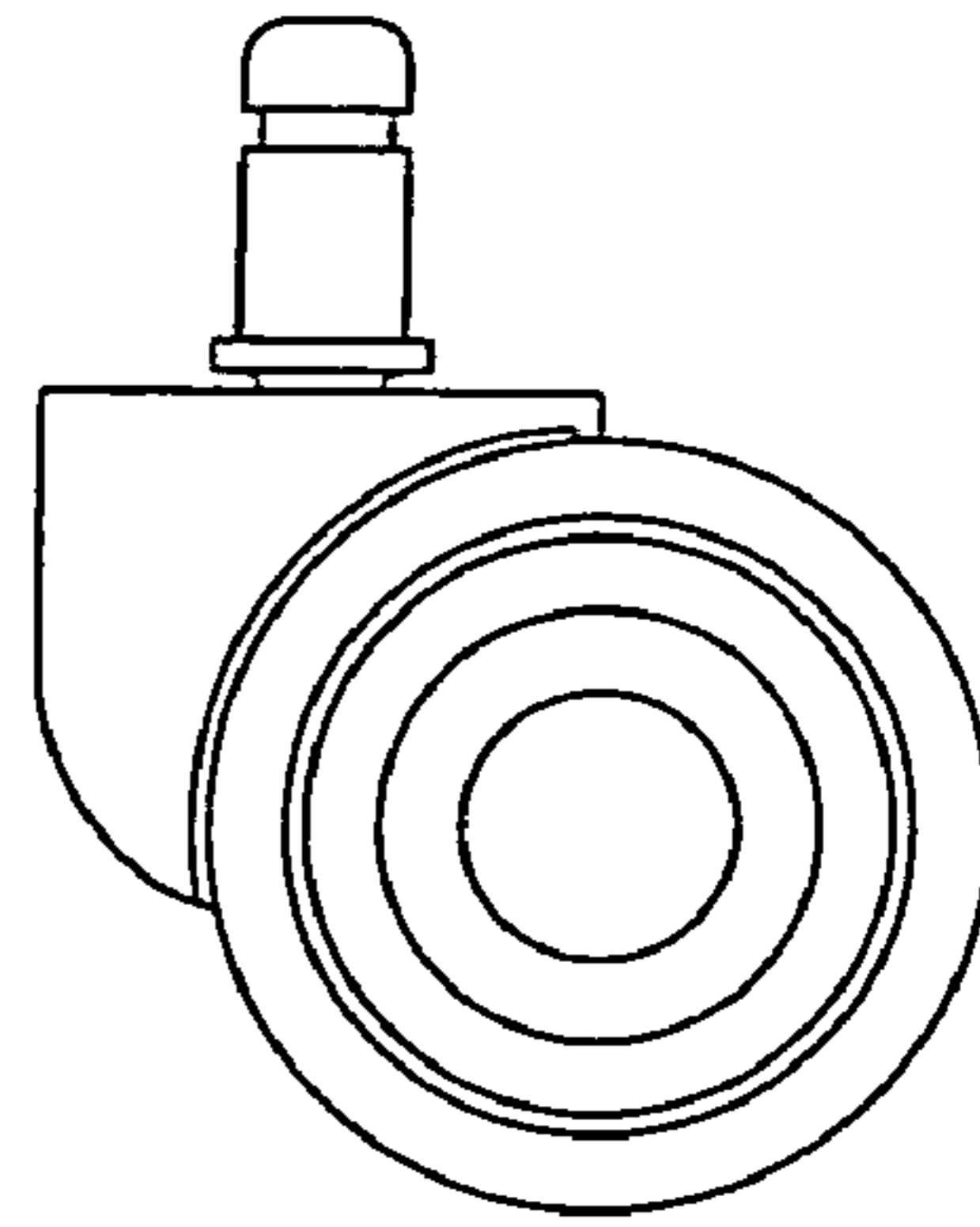
492,924 A *	3/1893	Lachman	.....	16/45
D240,399 S *	7/1976	Crescenzi	.....	D8/375
D296,300 S *	6/1988	Doyle et al.	.....	D8/375
D308,161 S *	5/1990	Daniels	.....	D8/375
D329,011 S *	9/1992	Block	.....	D8/375

**1 Claim, 1 Drawing Sheet**

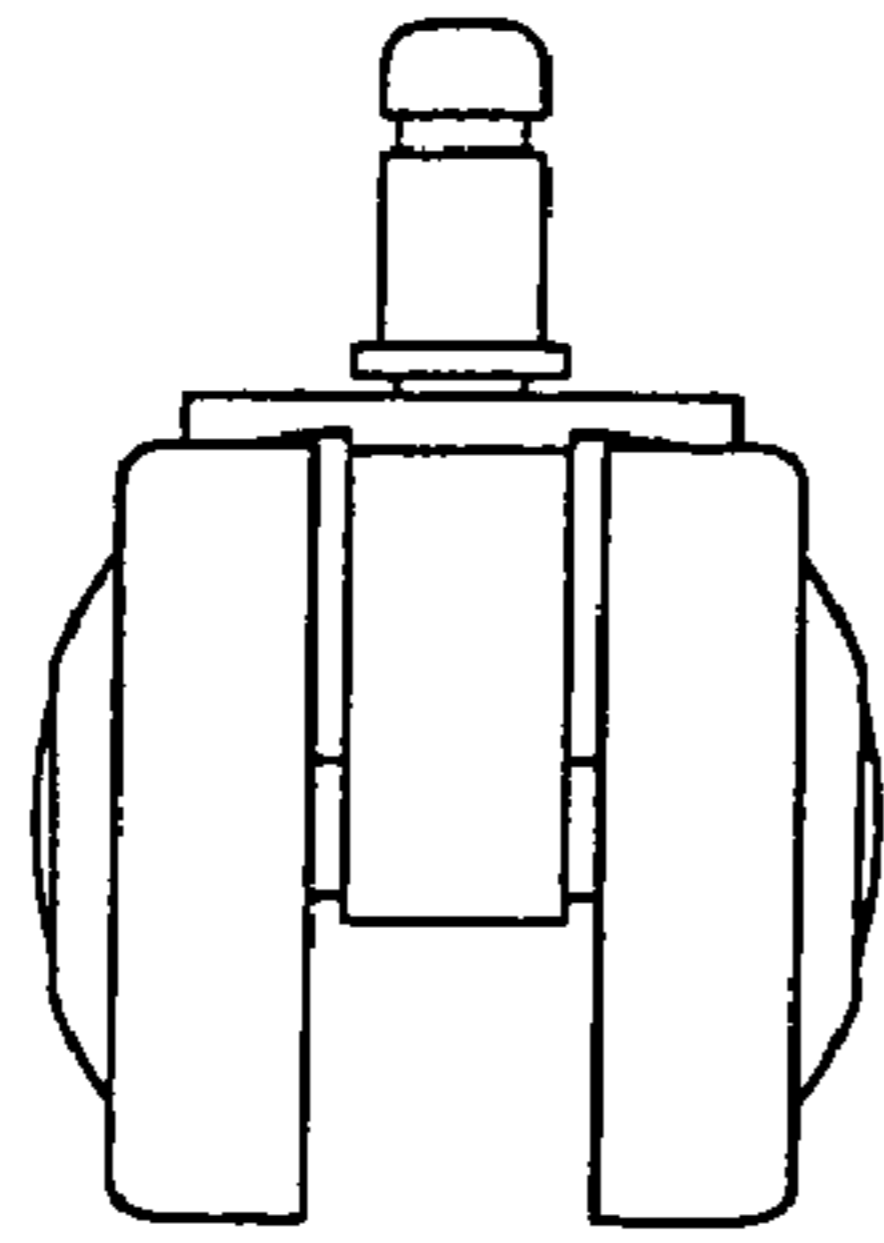




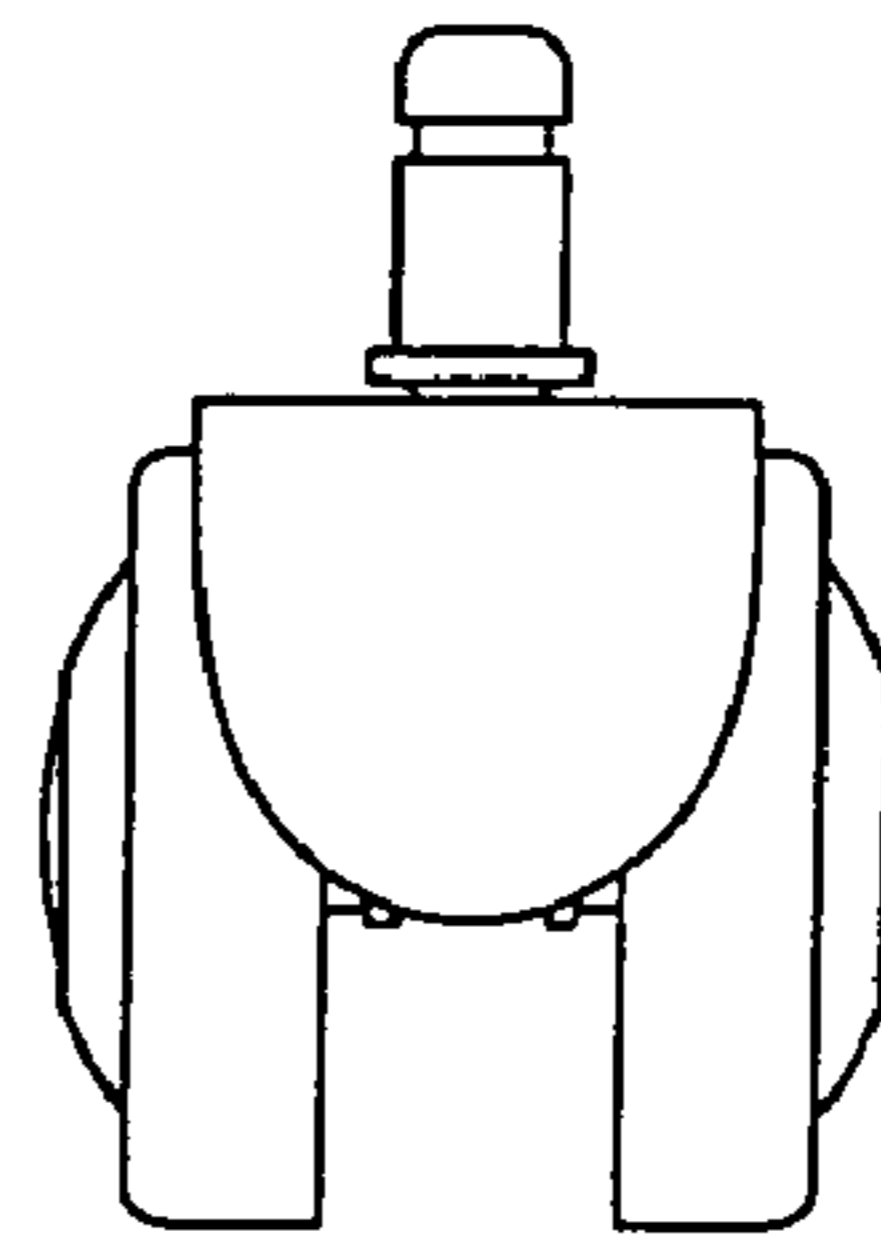
*FIG. 1*



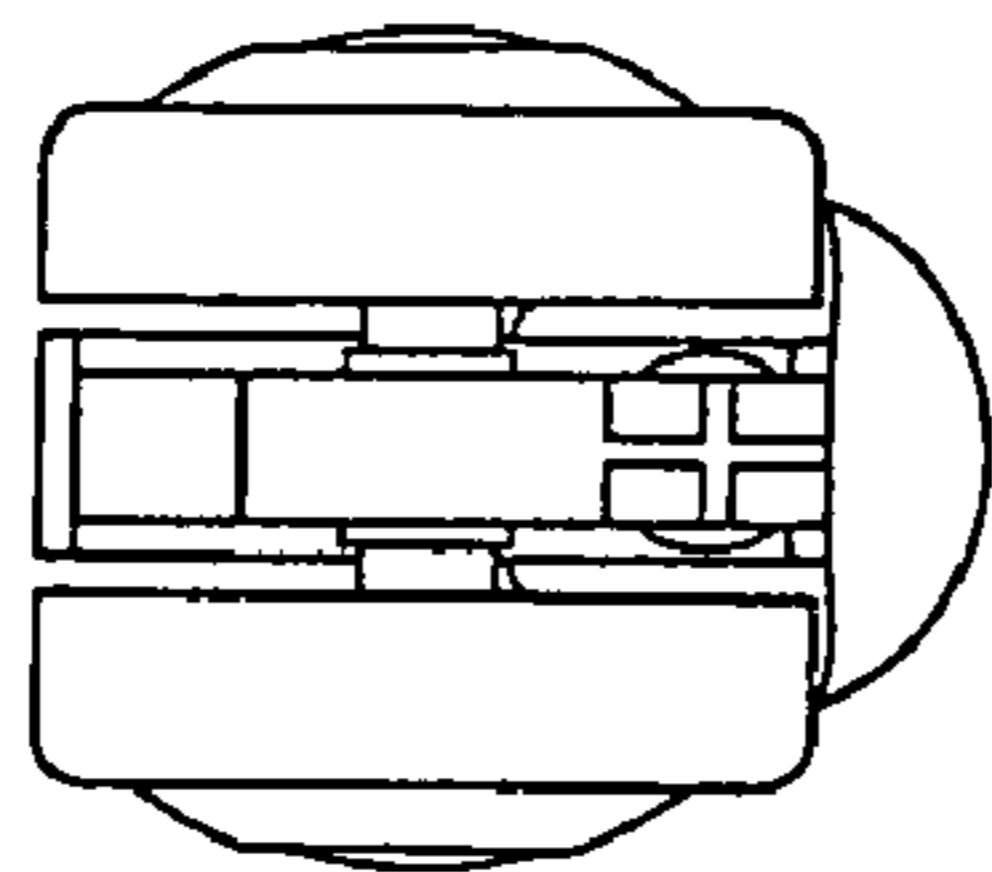
*FIG. 2*



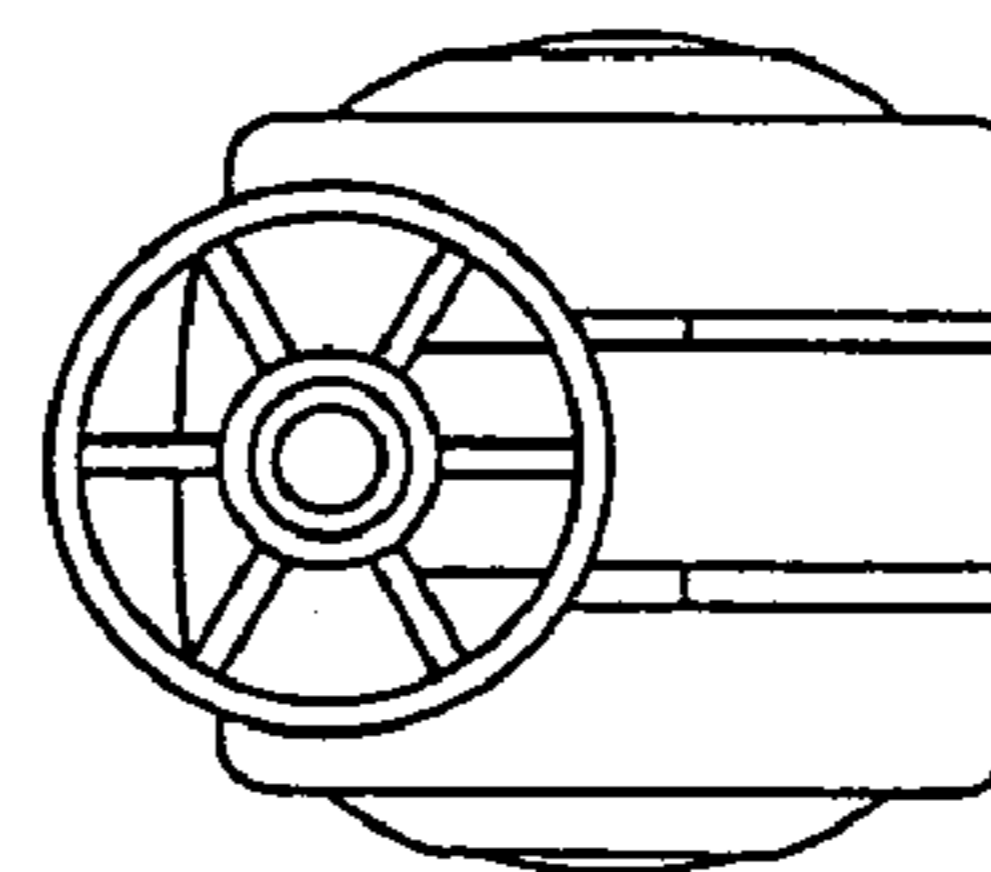
*FIG. 3*



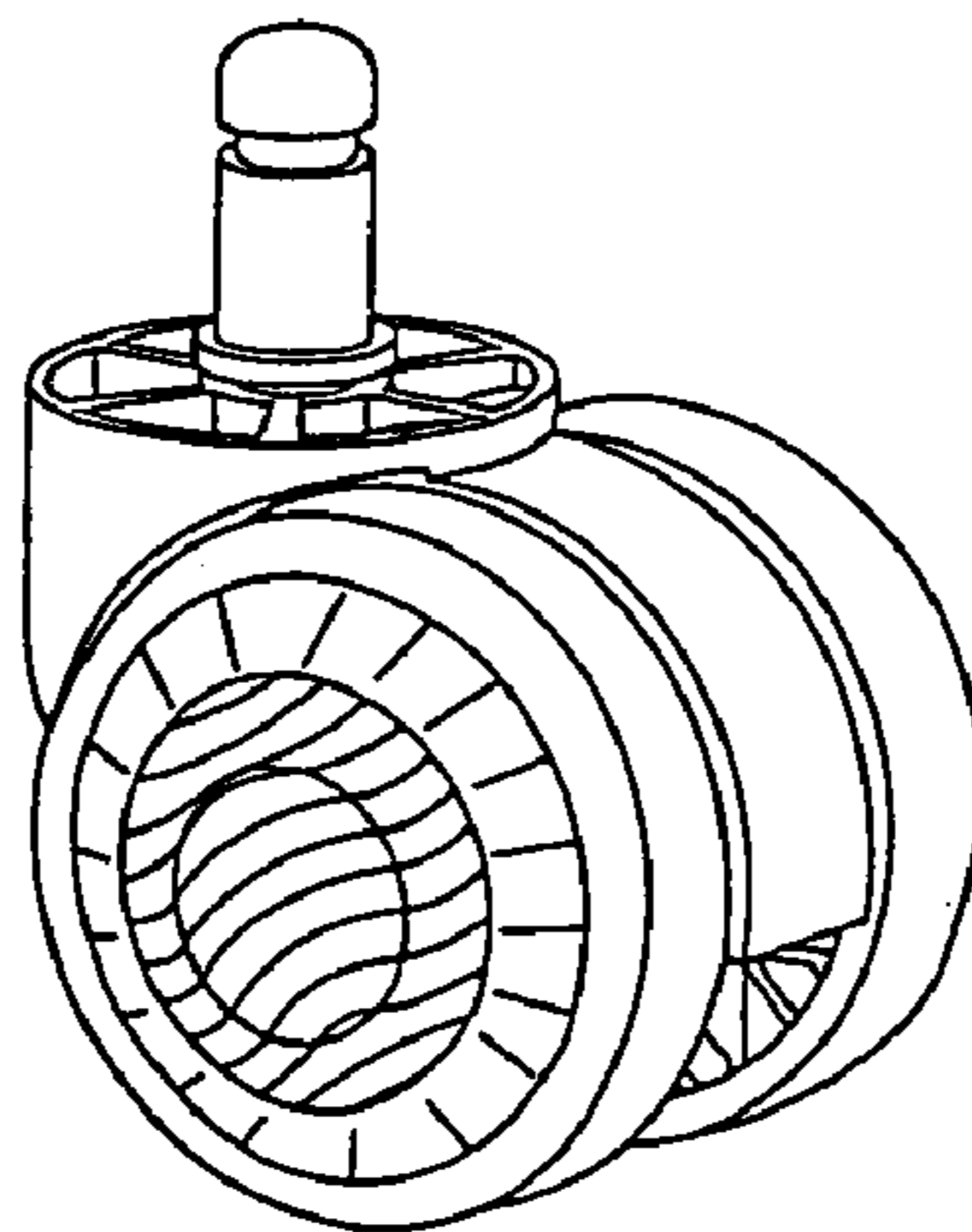
*FIG. 4*



*FIG. 5*



*FIG. 6*



*FIG. 7*