



US00D558033S

(12) **United States Design Patent**  
**Schiller**

(10) **Patent No.:** **US D558,033 S**

(45) **Date of Patent:** **\*\* Dec. 25, 2007**

(54) **CURTAIN FASTENER**

(75) Inventor: **Kenneth Monroe Schiller**, New York, NY (US)

(73) Assignee: **Monroe Design, Inc.**, New York, NY (US)

(\*\*) Term: **14 Years**

(21) Appl. No.: **29/262,644**

(22) Filed: **Jul. 7, 2006**

(51) **LOC (8) Cl.** ..... **08-05**

(52) **U.S. Cl.** ..... **D8/368; D8/367**

(58) **Field of Classification Search** ..... D8/367-368,  
D8/373; 24/716; 4/558, 608; 248/301;  
160/330, 368.1

See application file for complete search history.

(56) **References Cited**

**U.S. PATENT DOCUMENTS**

D27,400 S *	7/1897	Ball et al. ....	D8/368
4,147,199 A *	4/1979	Cameron .....	160/330
D499,955 S *	12/2004	Victory .....	D8/367

\* cited by examiner

*Primary Examiner*—Holly H. Baynham

(74) *Attorney, Agent, or Firm*—Morgan & Finnegan, LLP

(57) **CLAIM**

I claim the ornamental design for a curtain fastener, including but not limited to a shower curtain fastener, as shown and described.

**DESCRIPTION**

FIG. 1 is a front perspective view of a curtain fastener showing my new design;

FIG. 2 is a top view thereof;

FIG. 3 is a front view thereof;

FIG. 4 is a right-side view thereof;

FIG. 5 is a left-side view thereof;

FIG. 6 is a rear view thereof; and,

FIG. 7 is a bottom view thereof.

The broken lines are for illustrative purposes only and form no part of the claimed design.

**1 Claim, 4 Drawing Sheets**

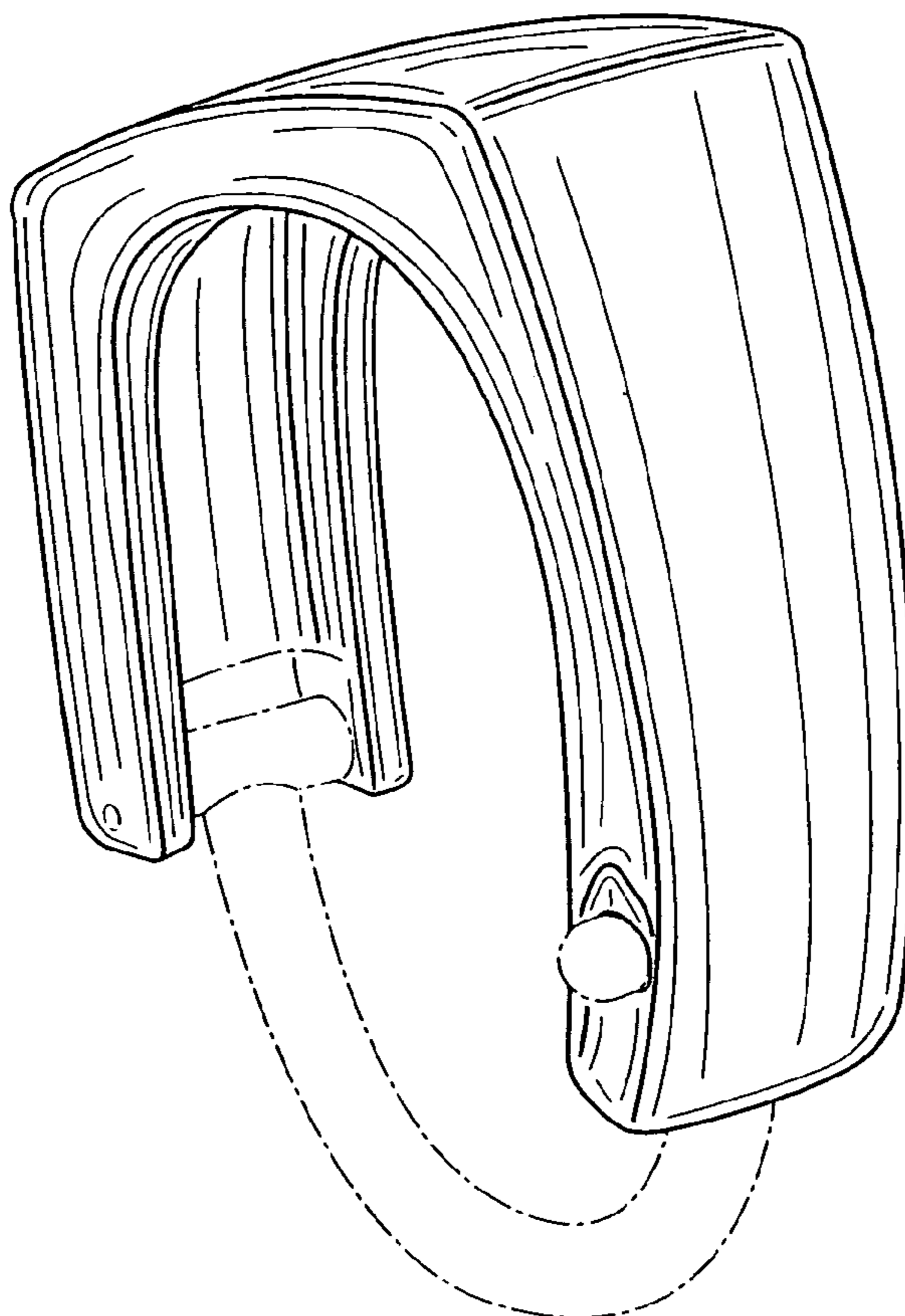


FIG. 1

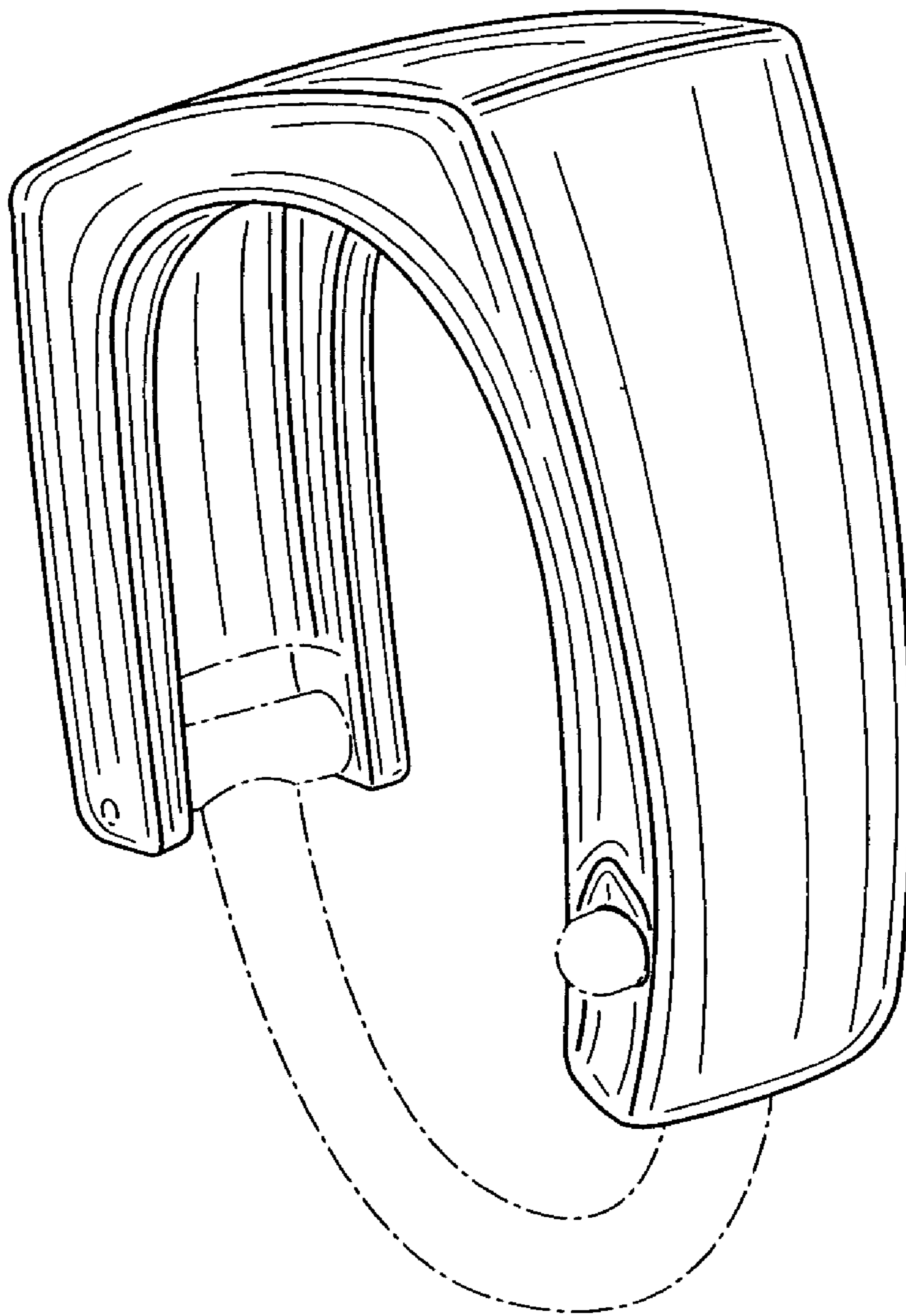


FIG. 2

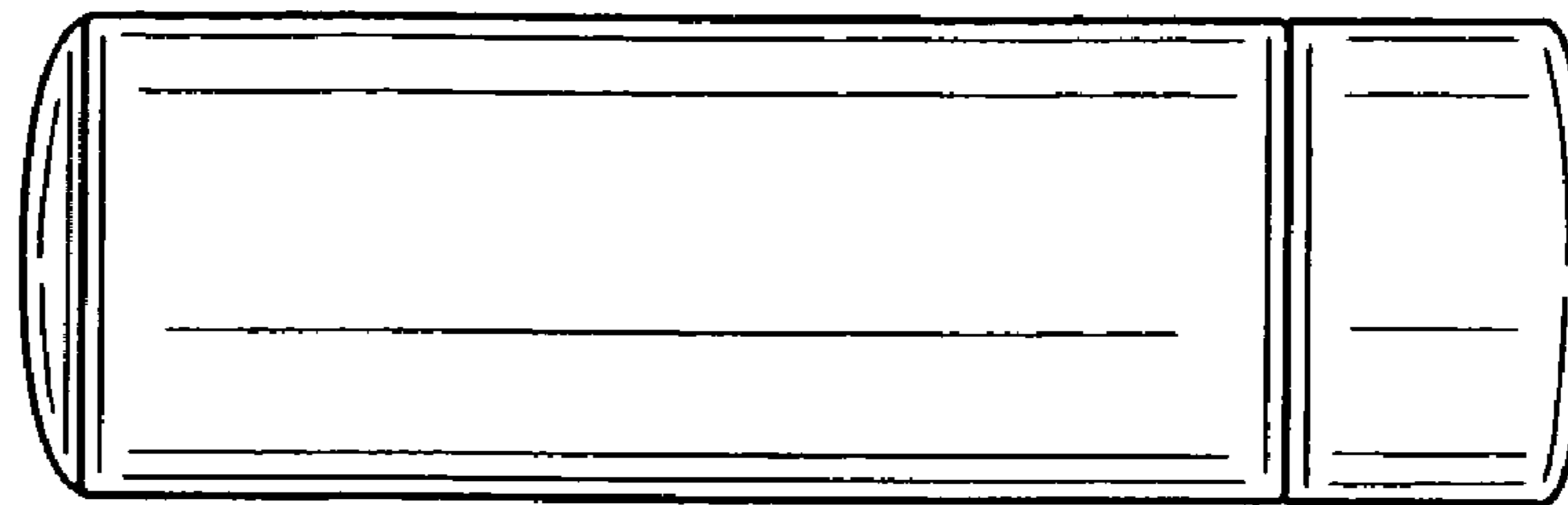


FIG. 3

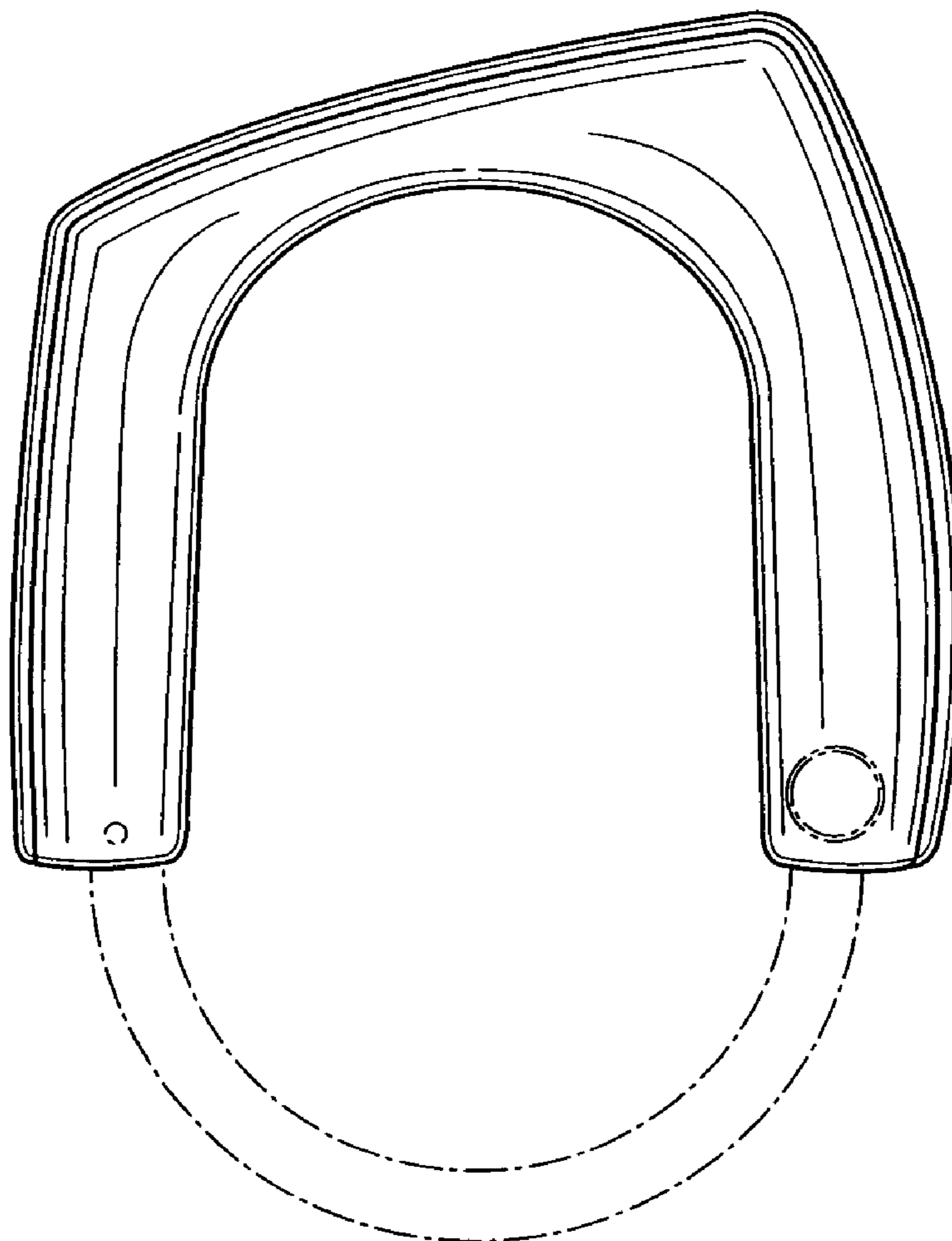


FIG. 4

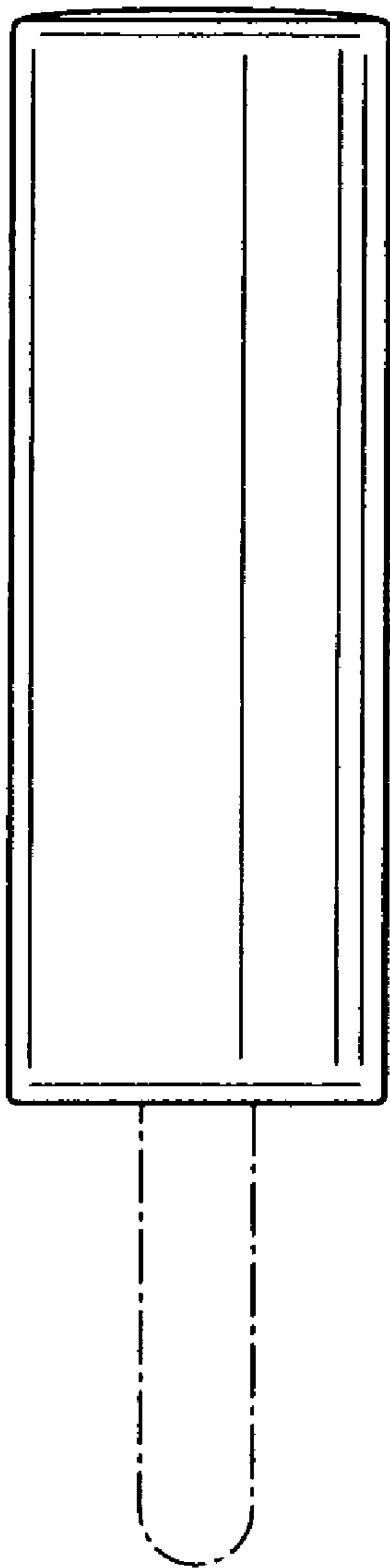


FIG. 5

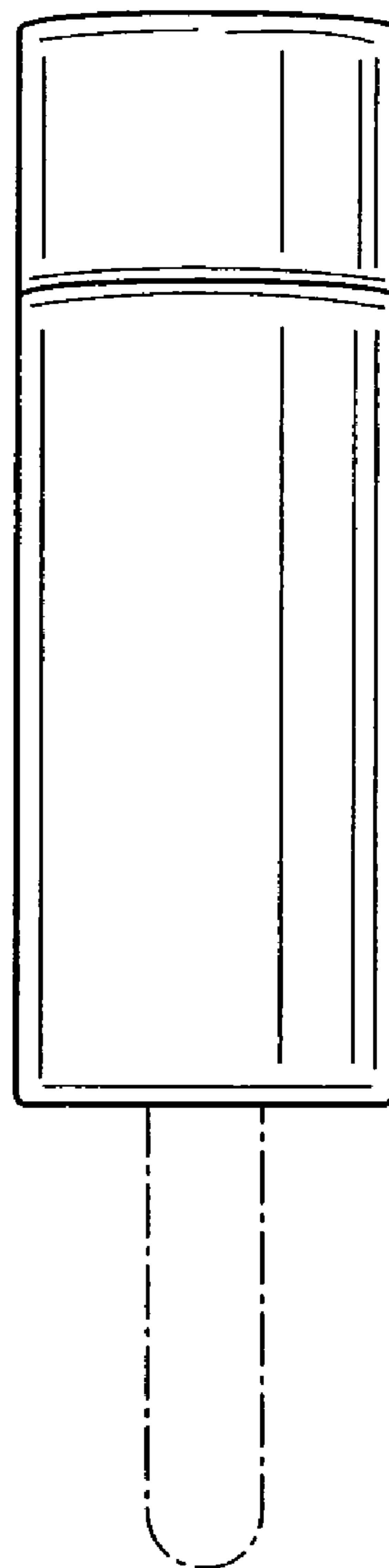


FIG. 6

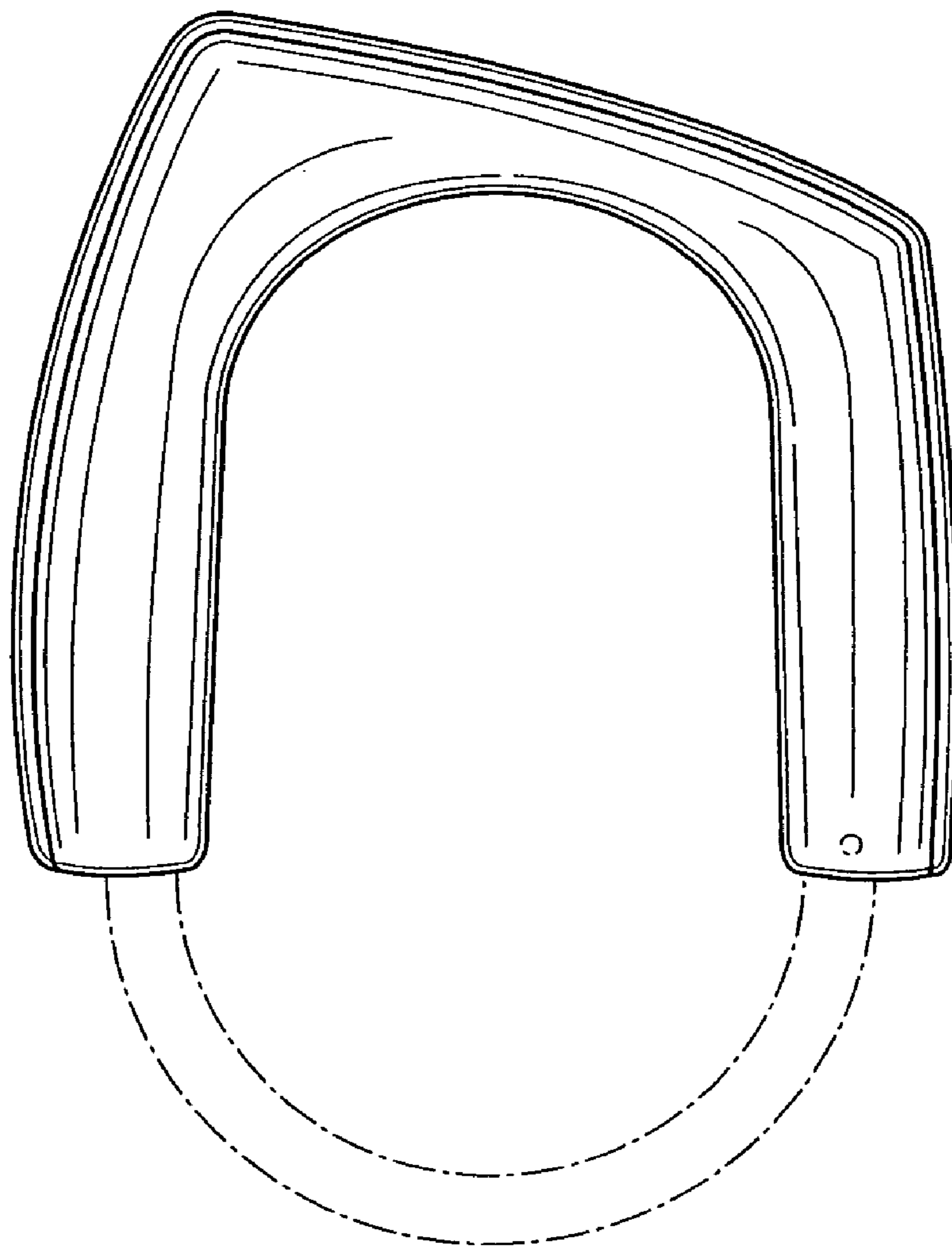


FIG. 7

