



US00D558028S

(12) **United States Design Patent**  
**Limber**

(10) **Patent No.:** **US D558,028 S**

(45) **Date of Patent:** **\*\* Dec. 25, 2007**

(54) **POOL HOSE REEL**

(74) *Attorney, Agent, or Firm*—The Halverson Law Firm

(76) Inventor: **Jamie Limber**, 4645 E. Cotton Center Blvd., Bldg. 3, Ste 195, Phoenix, AZ (US) 85040

(57) **CLAIM**

An ornamental design for a pool hose reel, according to the present invention, as shown and described.

(\*\*) Term: **14 Years**

**DESCRIPTION**

(21) Appl. No.: **29/254,886**

FIG. 1 is a perspective view of a pool hose reel according to the present invention;

(22) Filed: **Mar. 1, 2006**

FIG. 2 is a perspective view of the pool hose reel from a different side;

(51) **LOC (8) Cl.** ..... **08-05**

(52) **U.S. Cl.** ..... **D8/359**

(58) **Field of Classification Search** ..... D8/359, D8/358; D23/261; D22/140, 137; D12/501, D12/207, 204; 242/614, 613, 613.4, 609, 242/609.1, 608, 608.2, 606, 605, 405.2, 118, 242/118.1; 137/360

FIG. 3 is a side view of the pool hose reel;

FIG. 4 is a second side view of the pool hose reel;

FIG. 5 is a third side view of the pool hose reel;

FIG. 6 is a fourth side view of the pool hose reel;

See application file for complete search history.

FIG. 7 illustrates a second pool hose reel in the process of stacking with the pool hose reel;

FIG. 8 illustrates a second pool hose reel in the process of stacking with the pool hose reel; and,

(56) **References Cited**

**U.S. PATENT DOCUMENTS**

1,868,634 A \* 7/1932 Gregory ..... 242/608

2,489,319 A \* 11/1949 Nave, Jr. et al. .... D8/358

6,789,564 B1 \* 9/2004 Wu ..... 137/360

FIG. 9 illustrates a second pool hose reel stacked with the pool hose reel.

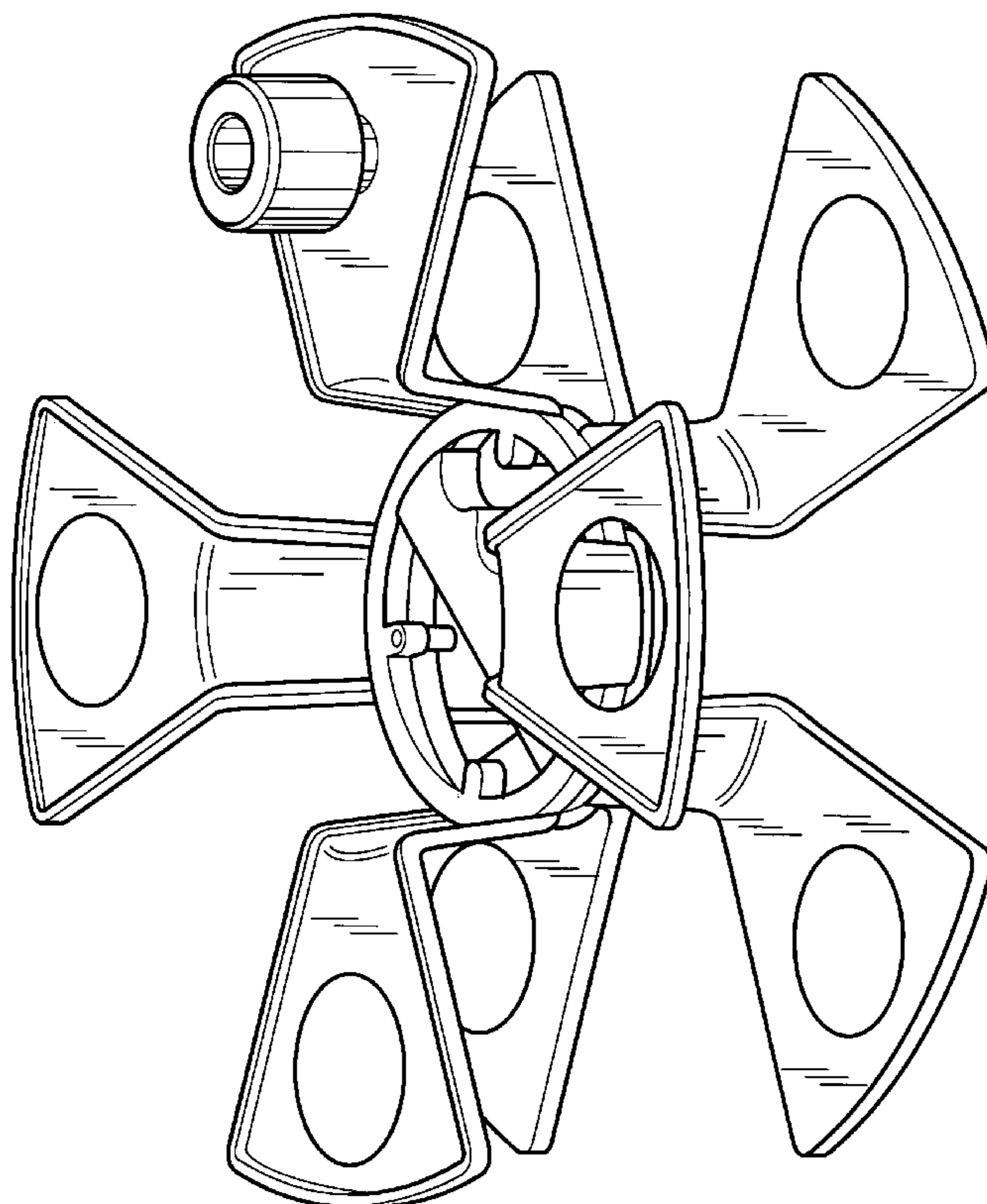
The broken line showing of a second pool hose reel depicts environmental subject matter only and forms no part of the claim.

\* cited by examiner

*Primary Examiner*—Gary D. Watson

*Assistant Examiner*—Susan Bennett Hattan

**1 Claim, 7 Drawing Sheets**



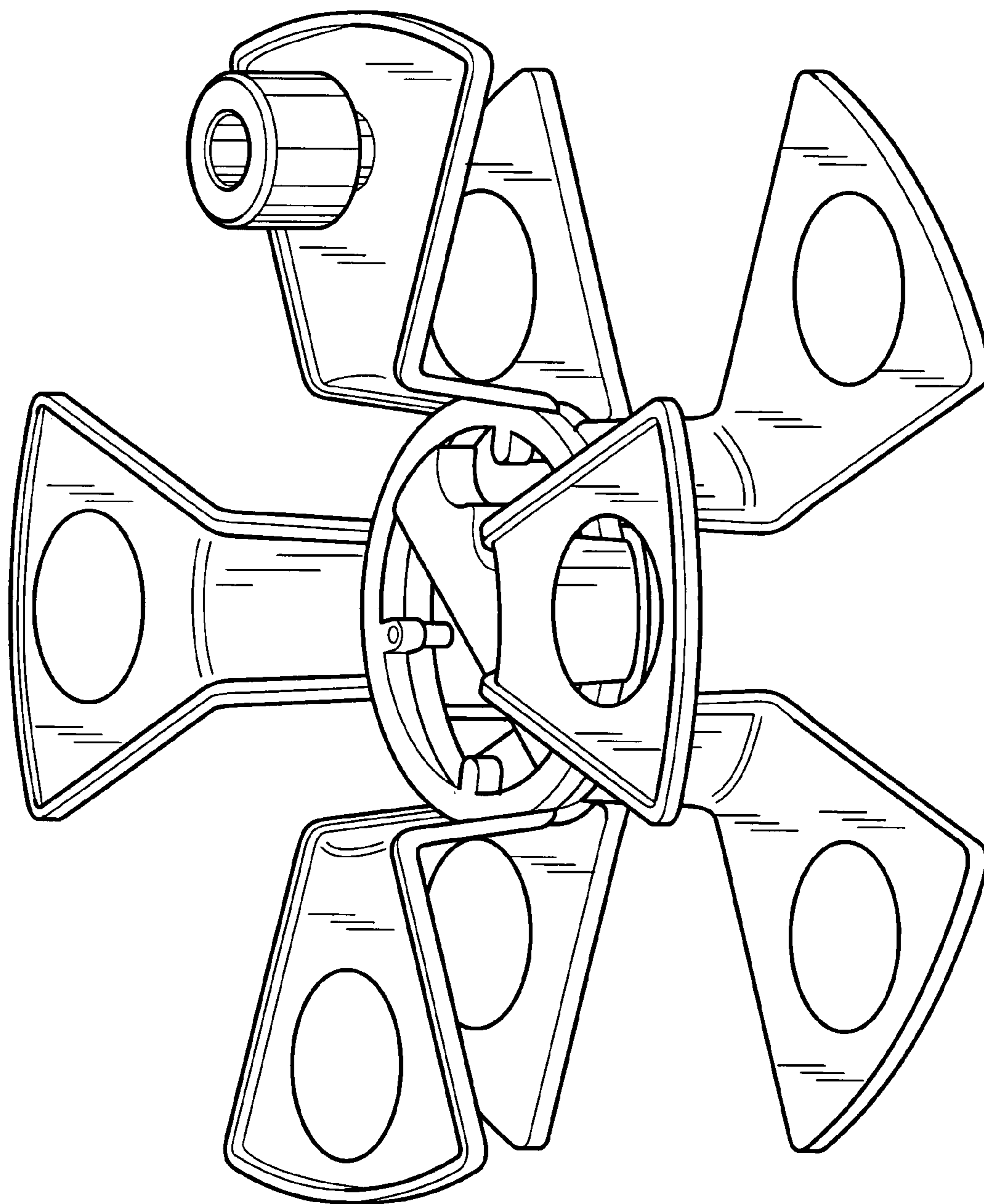


Fig. 1

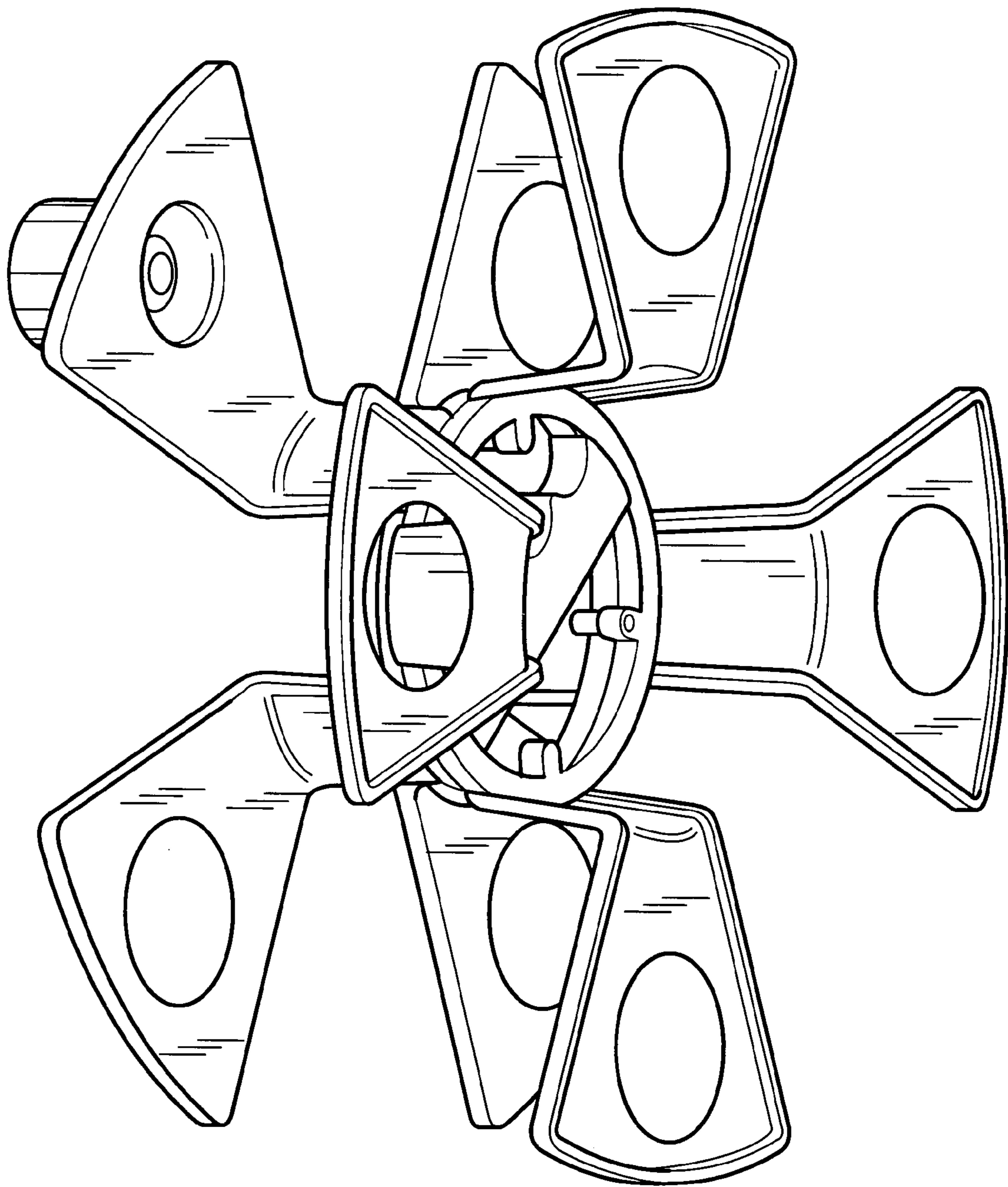


Fig. 2

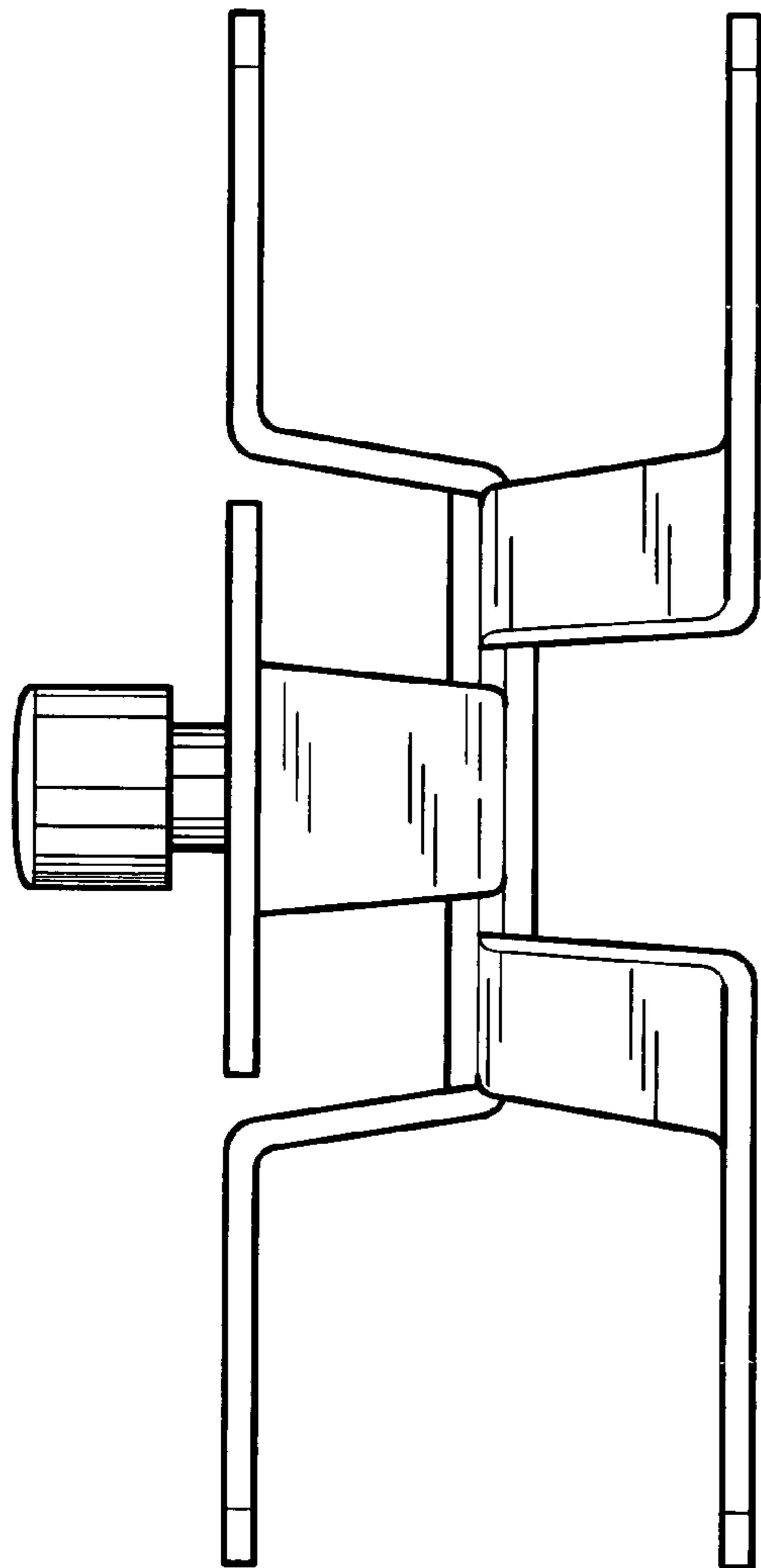


Fig. 3

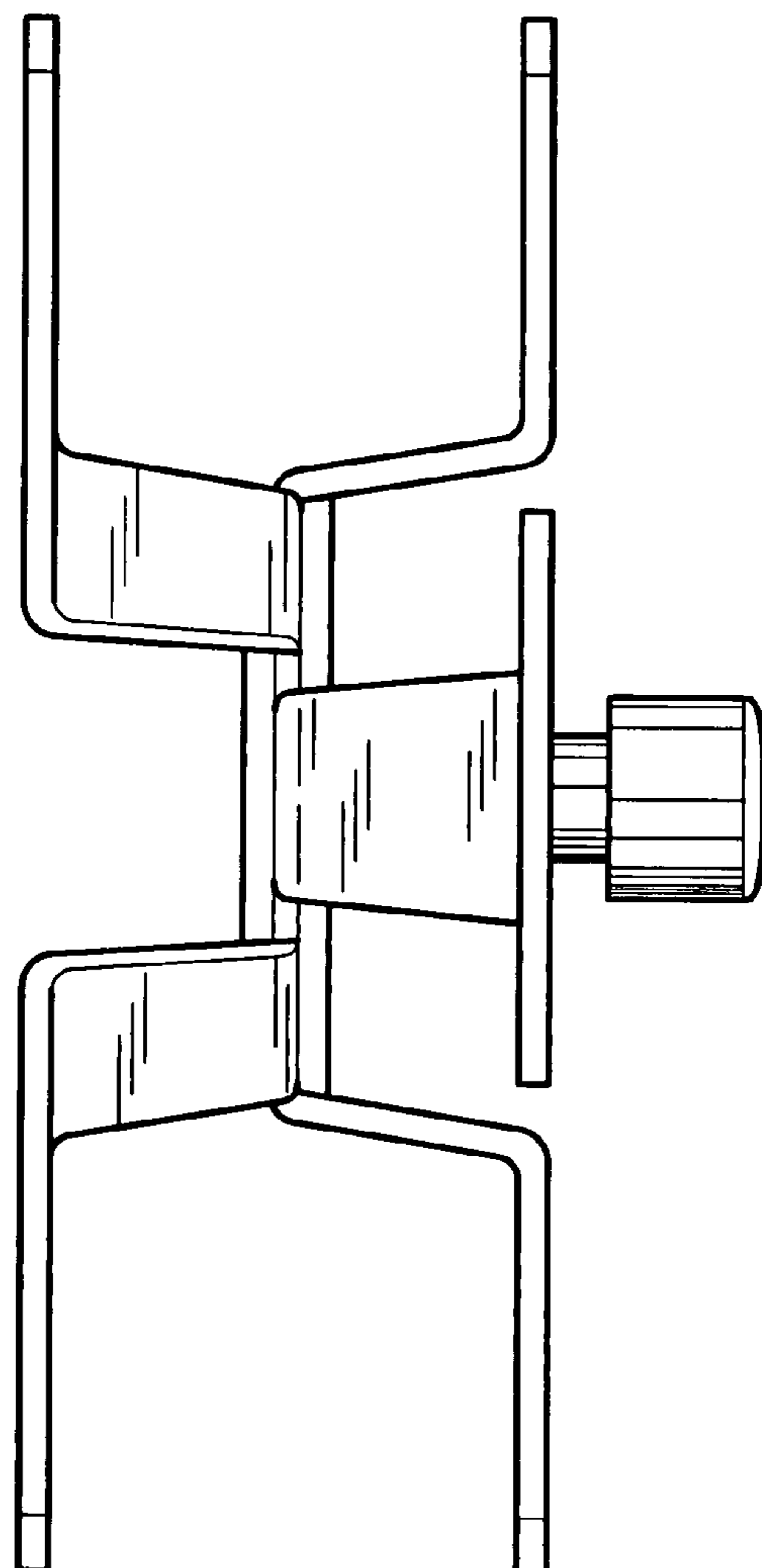


Fig. 4

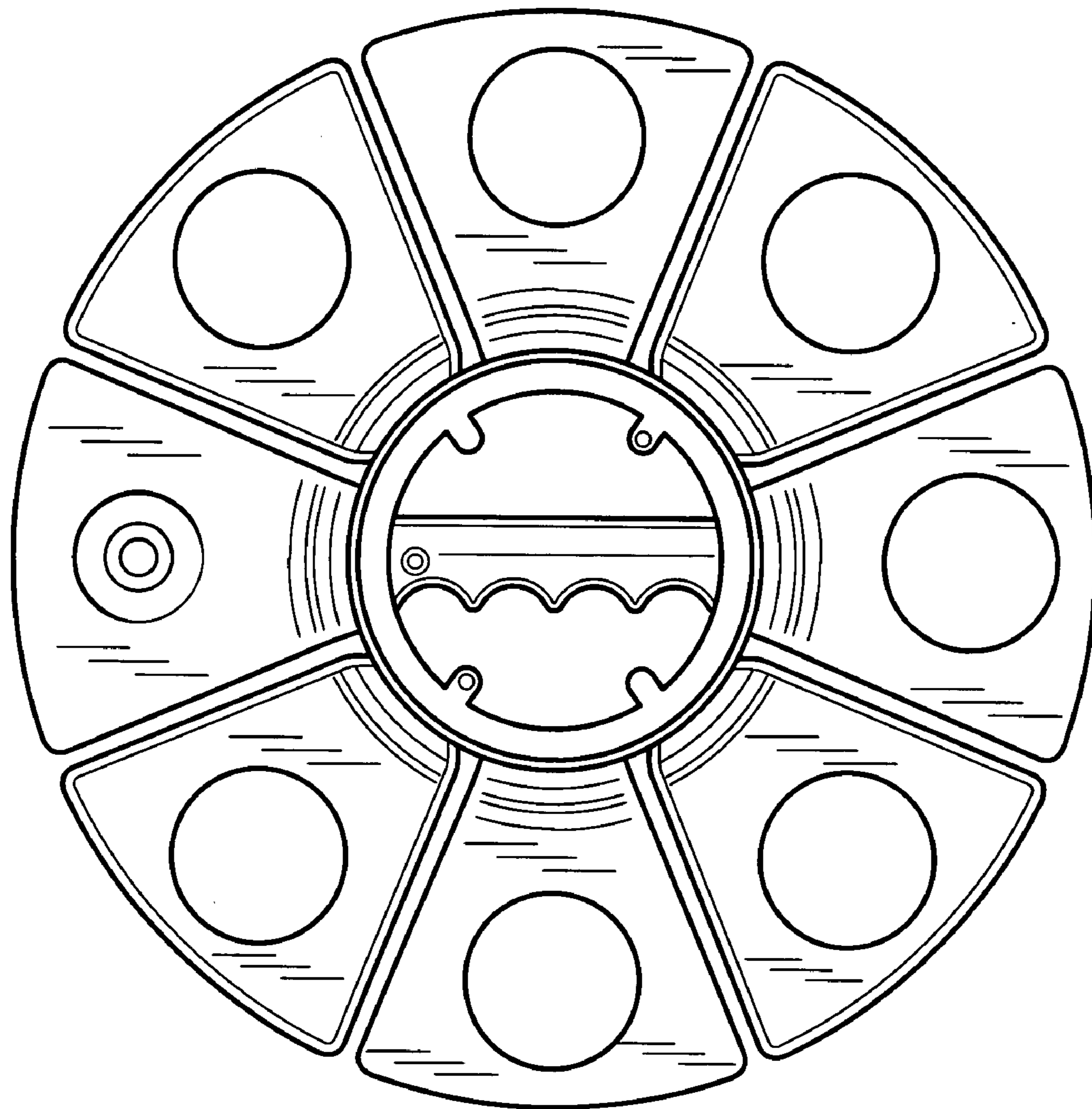


Fig. 5

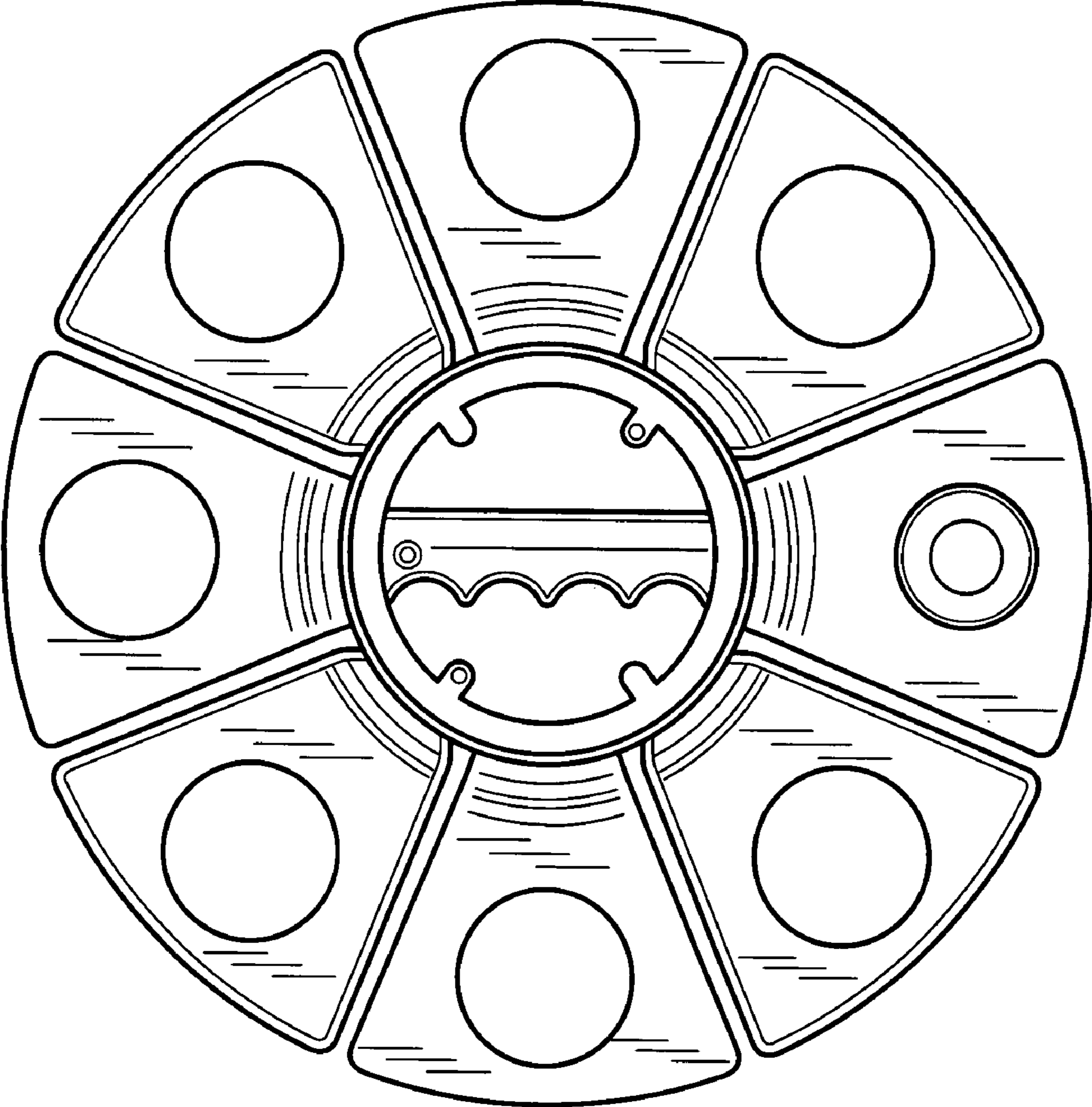


Fig. 6

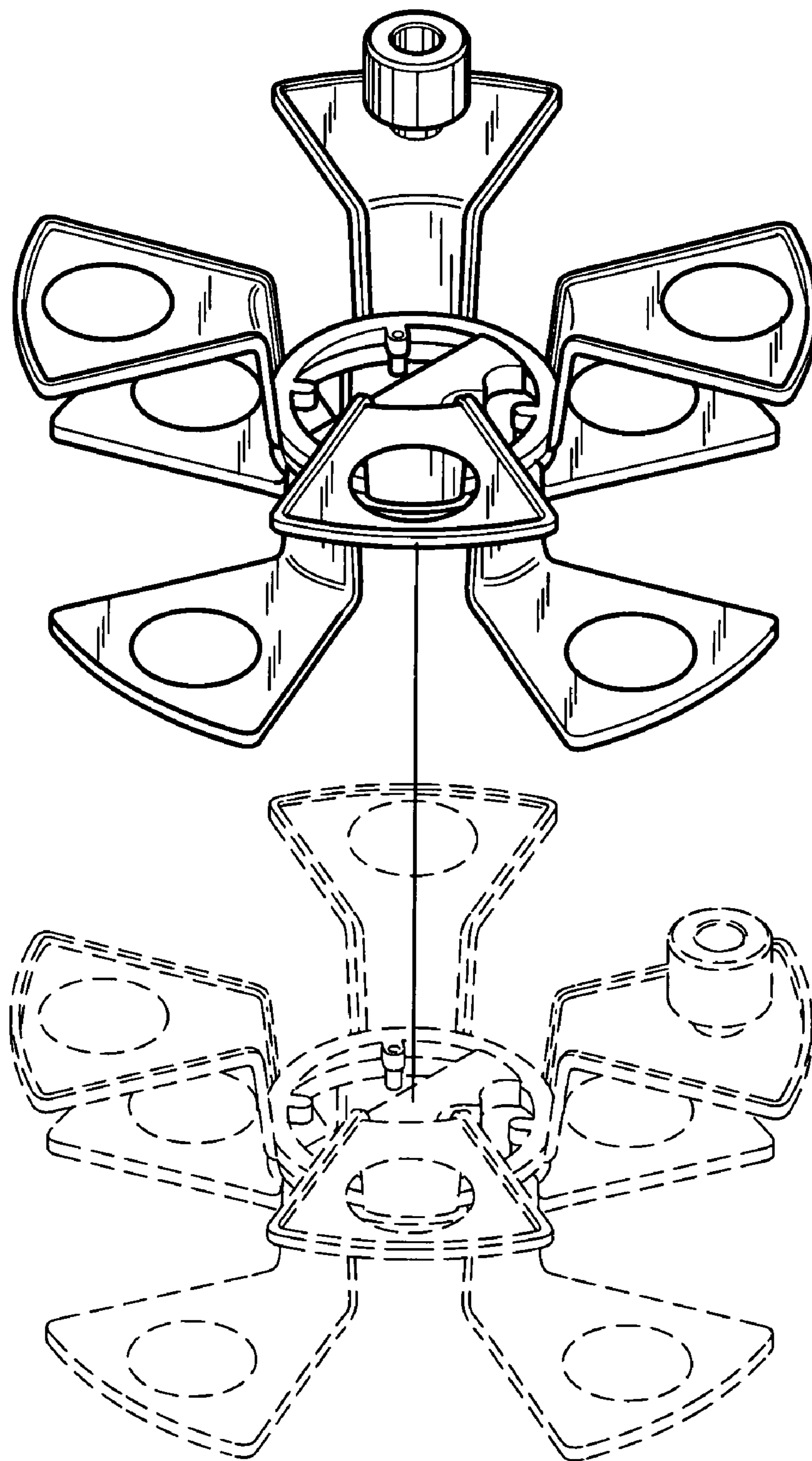


Fig. 7

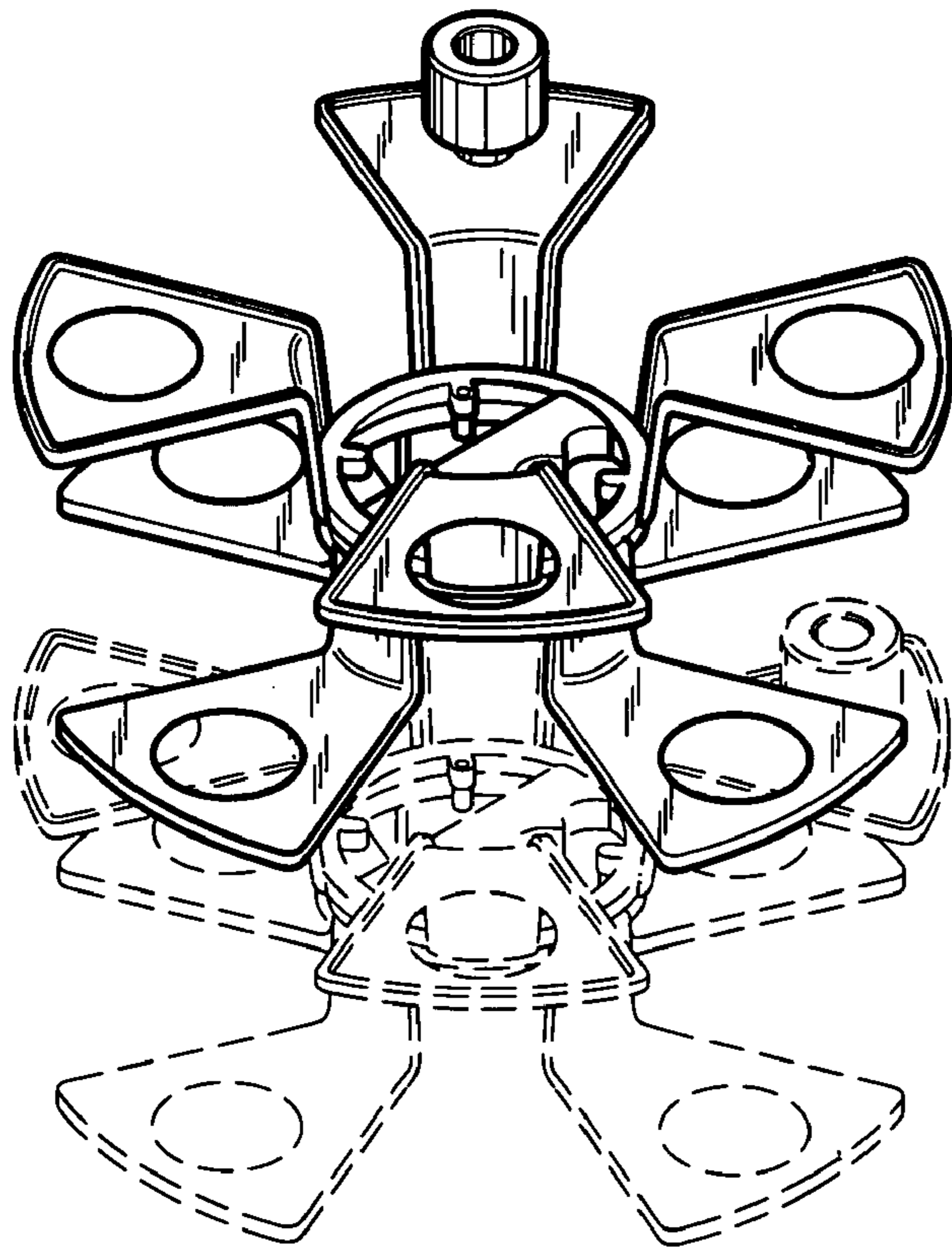


Fig. 8

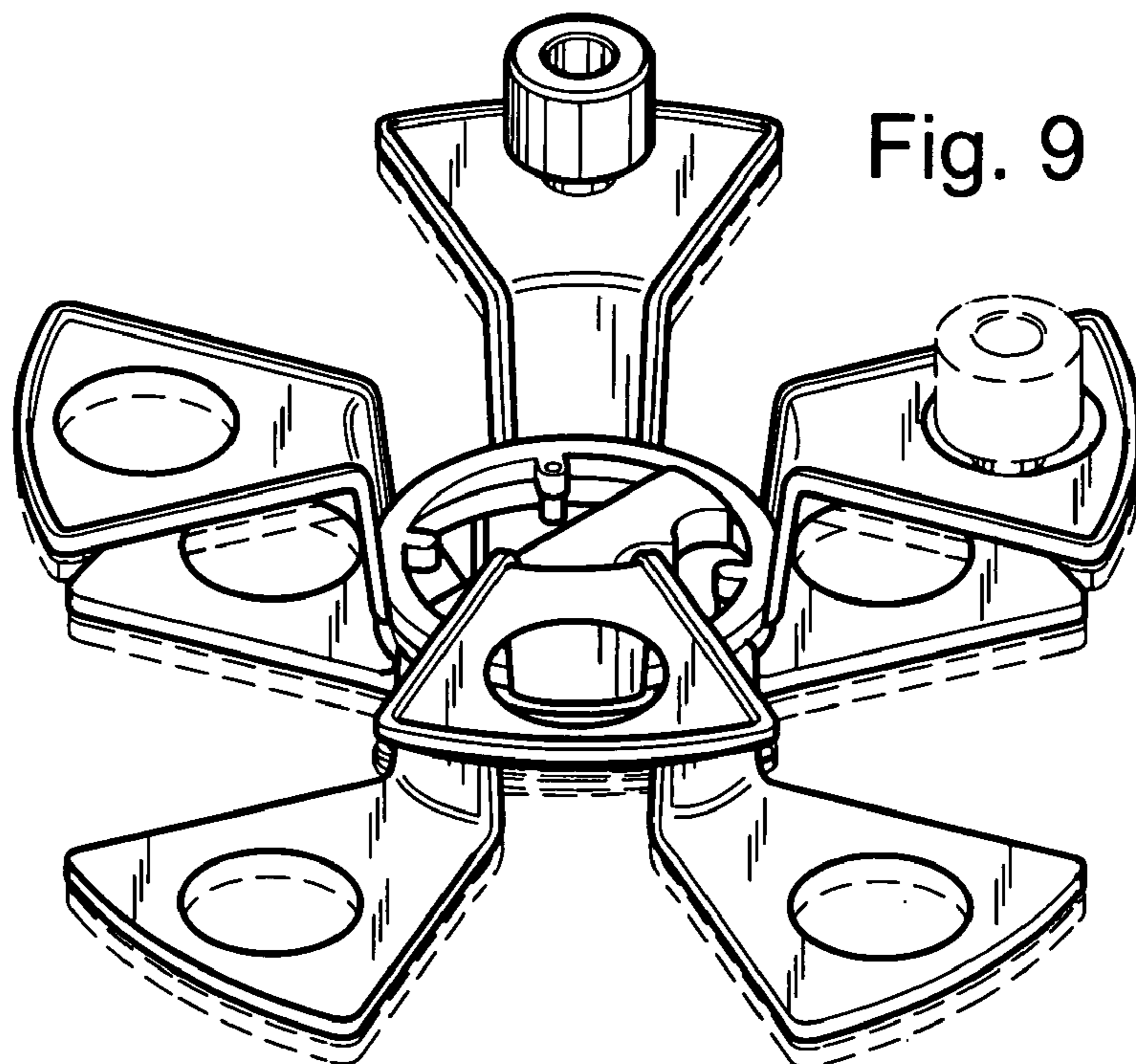


Fig. 9