

US00D558027S

(12) **United States Design Patent**
Lanz

(10) **Patent No.:** **US D558,027 S**

(45) **Date of Patent:** **** Dec. 25, 2007**

(54) **DUAL MOUNT, ANGLE ADJUSTABLE TOOL HOLDER FOR EXTENSION POLES**

D499,954 S * 12/2004 Brushaber D8/355
* cited by examiner

(76) Inventor: **Donald D. Lanz**, 15657 S. Neibur Rd.,
Oregon City, OR (US) 97045

Primary Examiner—Holly H. Baynham
(74) *Attorney, Agent, or Firm*—Olson & Olson

(**) Term: **14 Years**

(57) **CLAIM**

(21) Appl. No.: **29/264,812**

The ornamental design for a dual mount, angle adjustable tool holder for extension poles, as shown and described.

(22) Filed: **Aug. 18, 2006**

DESCRIPTION

(51) **LOC (8) Cl.** **08-05**

(52) **U.S. Cl.** **D8/355**

(58) **Field of Classification Search** D8/355;
248/124.1, 276.1, 284.1, 113, 289.11; 15/144.1–144.4,
15/145–146

FIG. 1 is a front perspective view of a dual mount, angle adjustable tool holder for extension poles showing my new design.

FIG. 2 is a side elevational view thereof;

FIG. 3 is a side elevational view taken from the left in FIG. 2.

See application file for complete search history.

FIG. 4 is a rear elevational view taken from the left of FIG. 3;

(56) **References Cited**

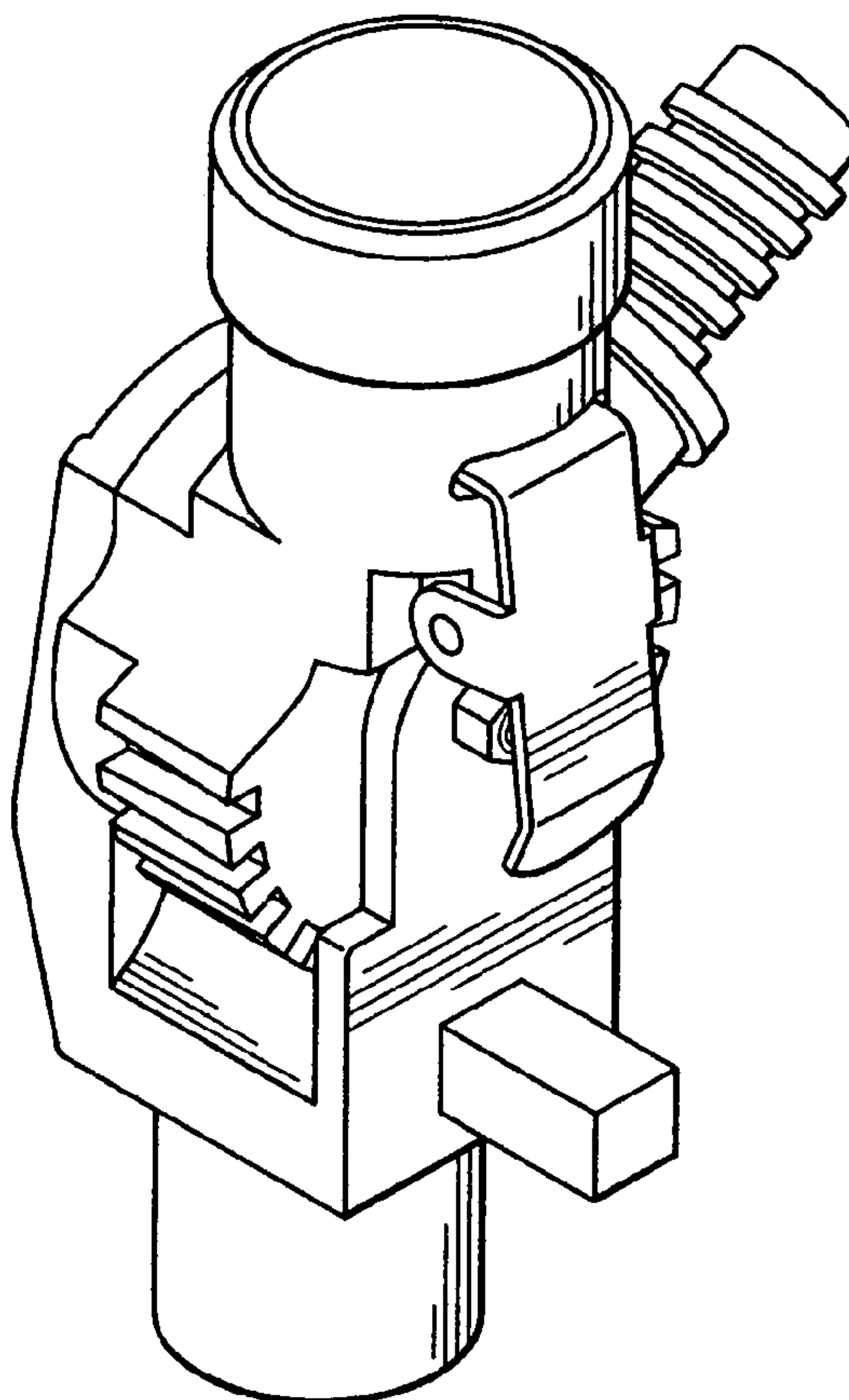
U.S. PATENT DOCUMENTS

- D188,292 S * 9/1960 Olexiewicz D8/355
- 3,205,522 A * 9/1965 Then 15/146
- D229,480 S * 12/1973 Brushaber D8/355
- D306,396 S * 3/1990 Brushaber D8/355
- D312,566 S * 12/1990 Scherer D8/355
- D433,616 S * 11/2000 Fischer D8/355

FIG. 5 is an opposite side elevational view taken from the left of FIG. 4;

FIG. 6 is a top plan view taken from the top in FIG. 4; and,
FIG. 7 is a bottom plan view taken from the bottom in FIG. 2.

1 Claim, 2 Drawing Sheets



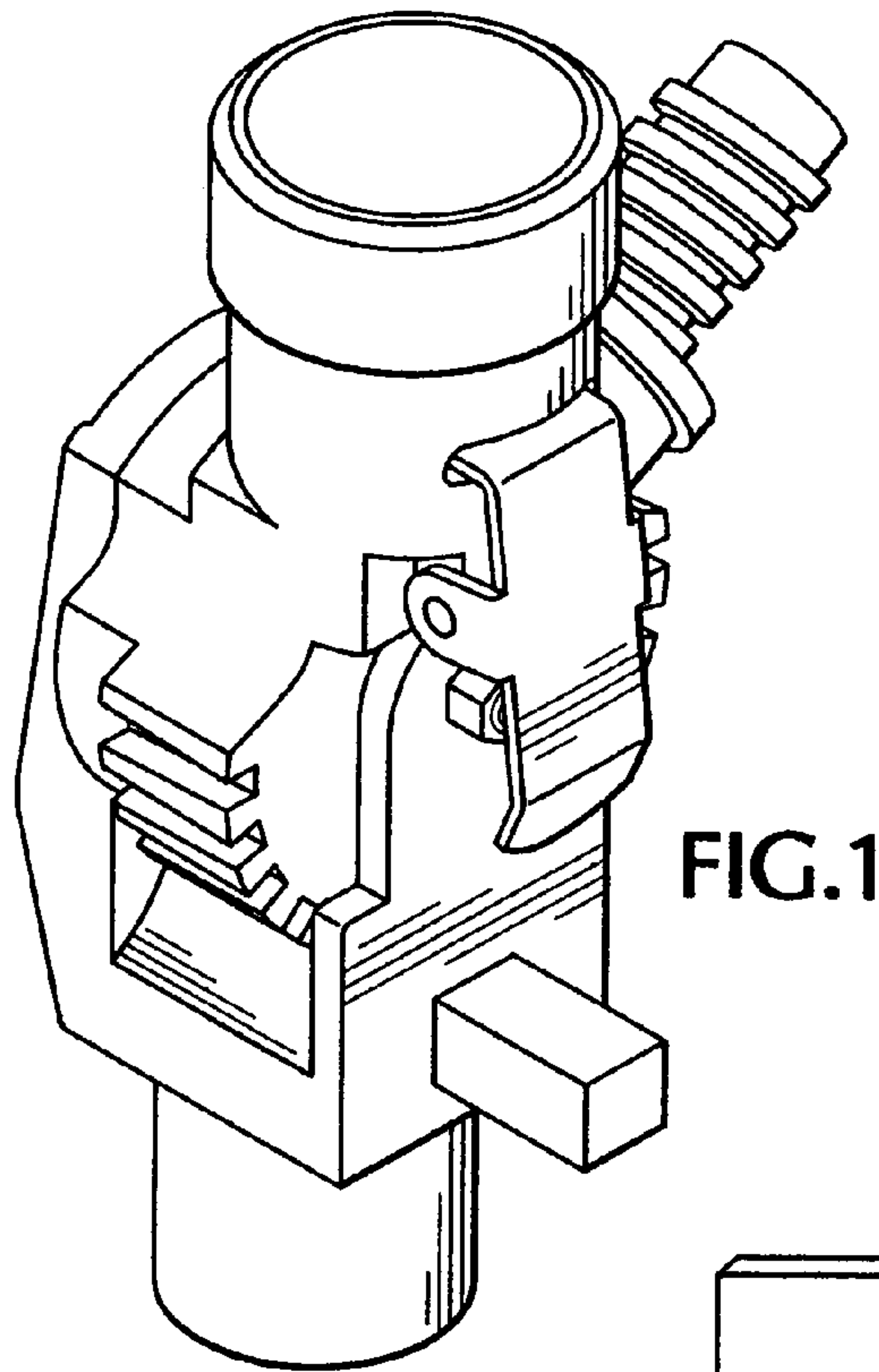


FIG. 1

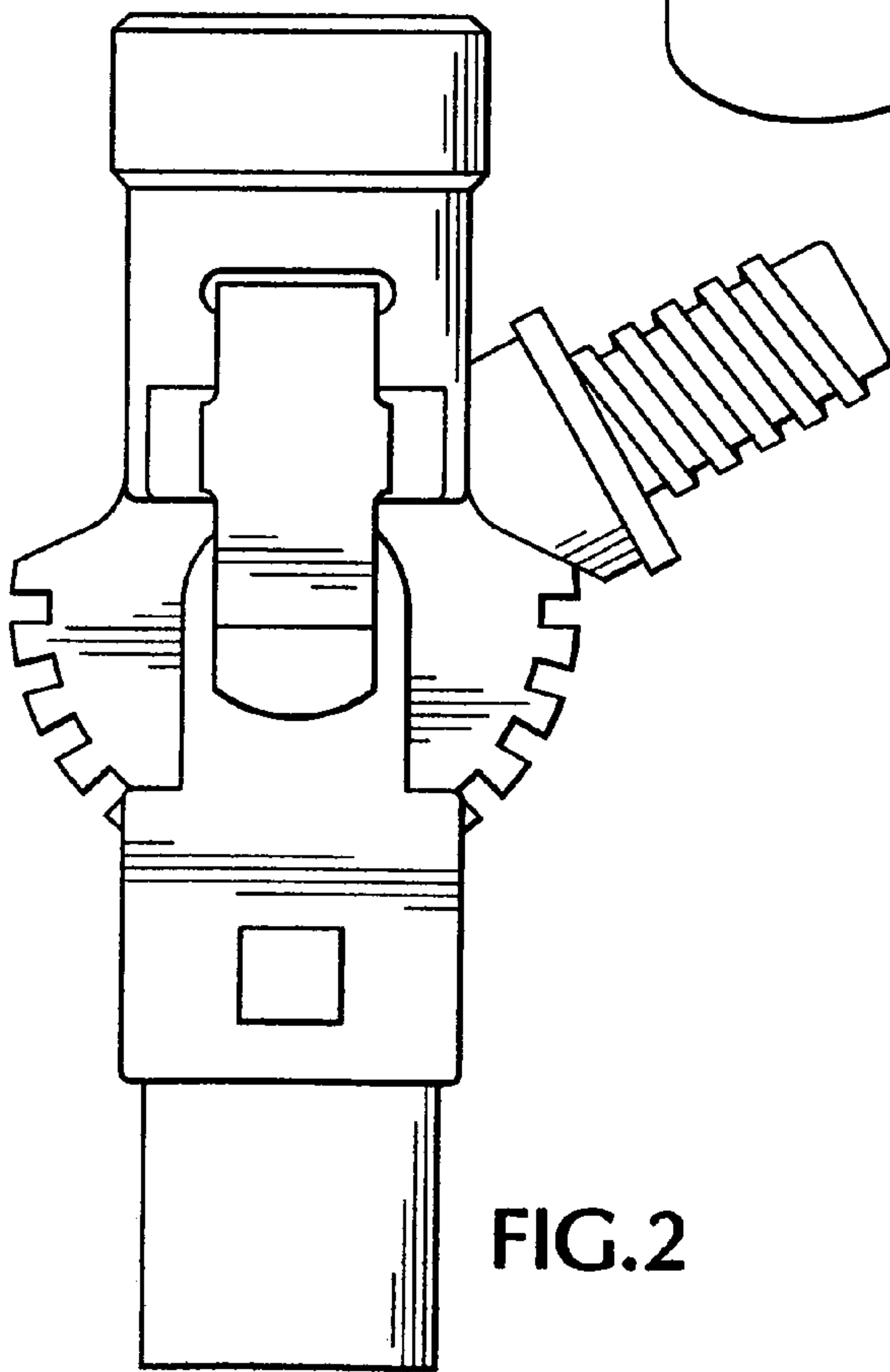


FIG. 2

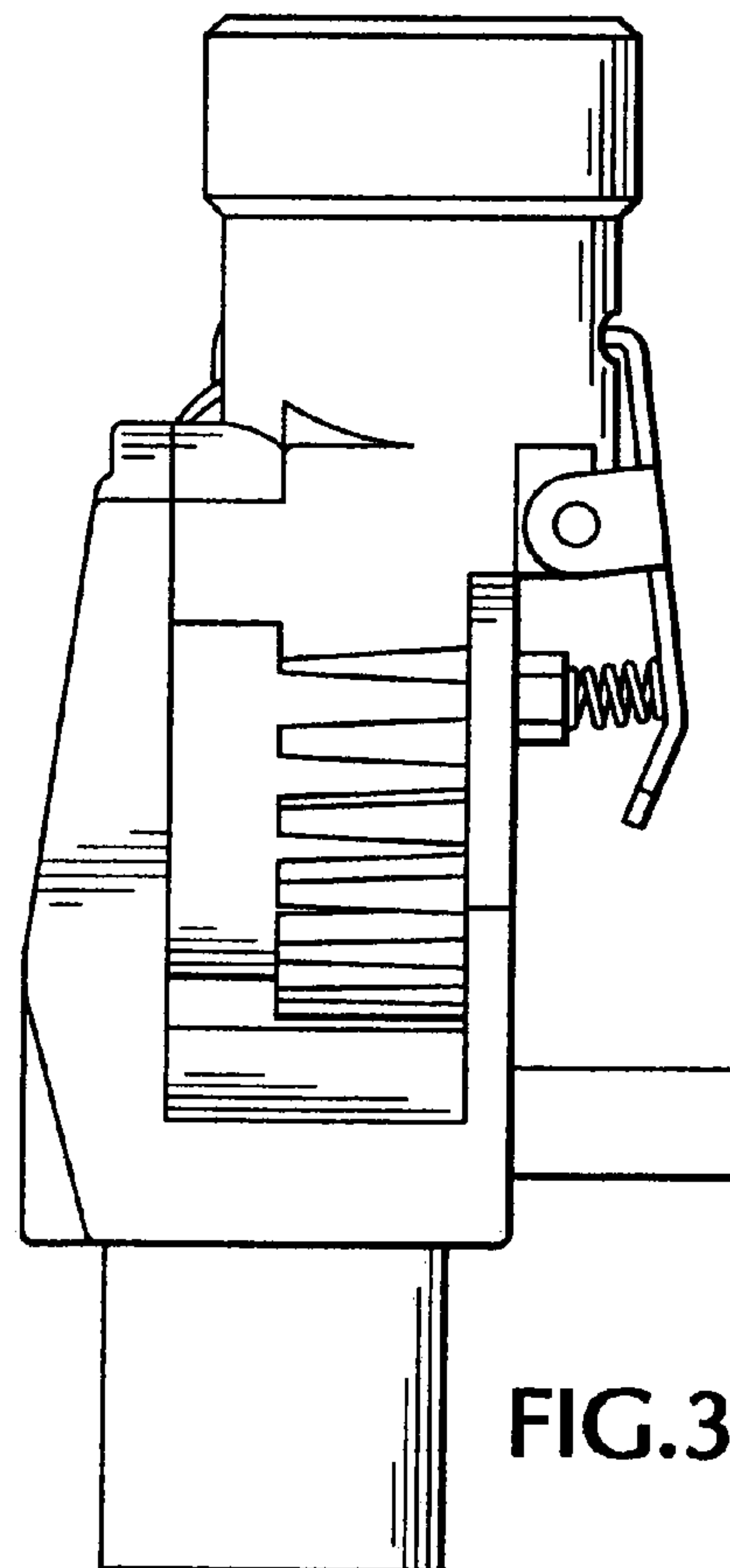


FIG. 3

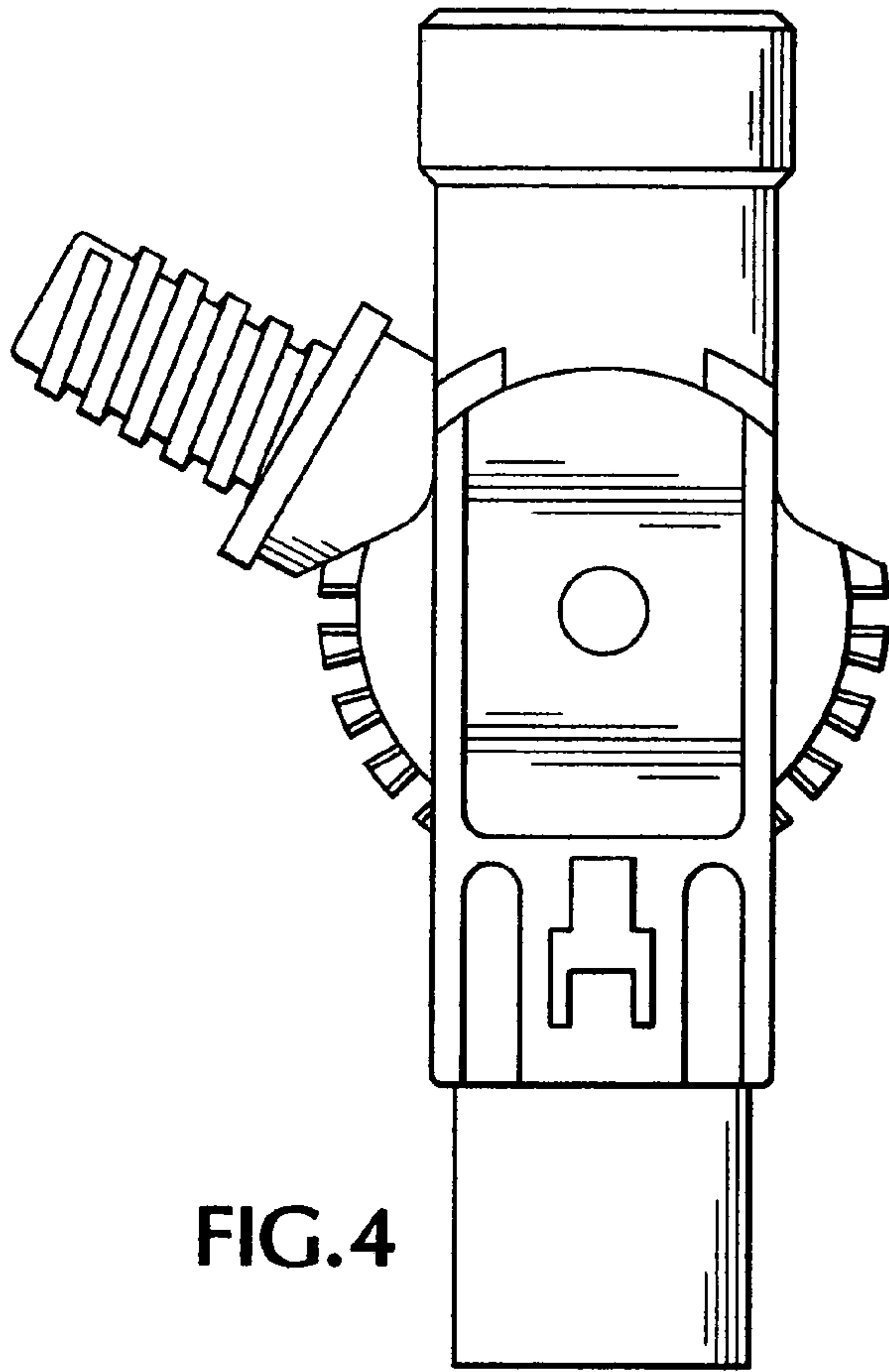


FIG. 4

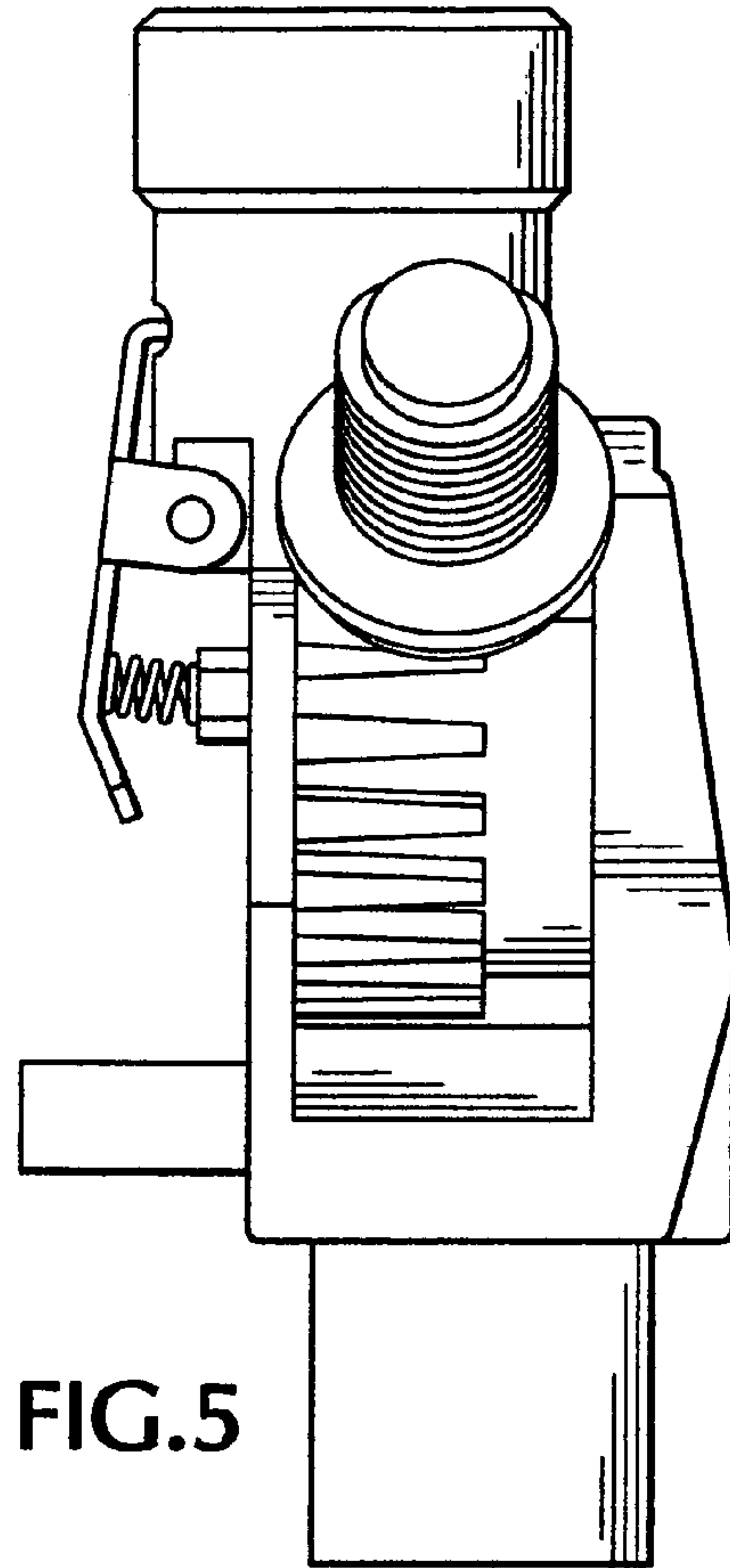


FIG. 5

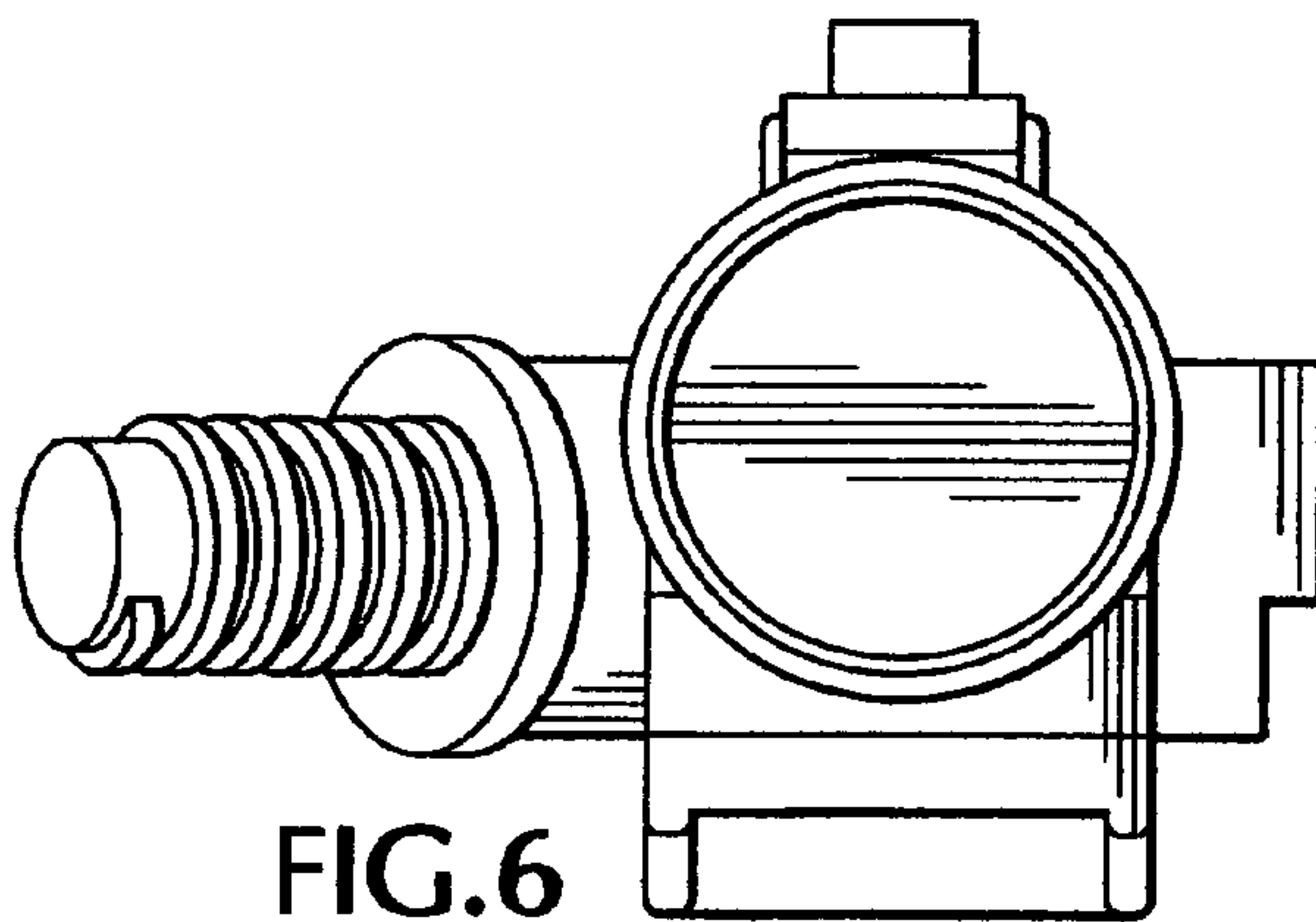


FIG. 6

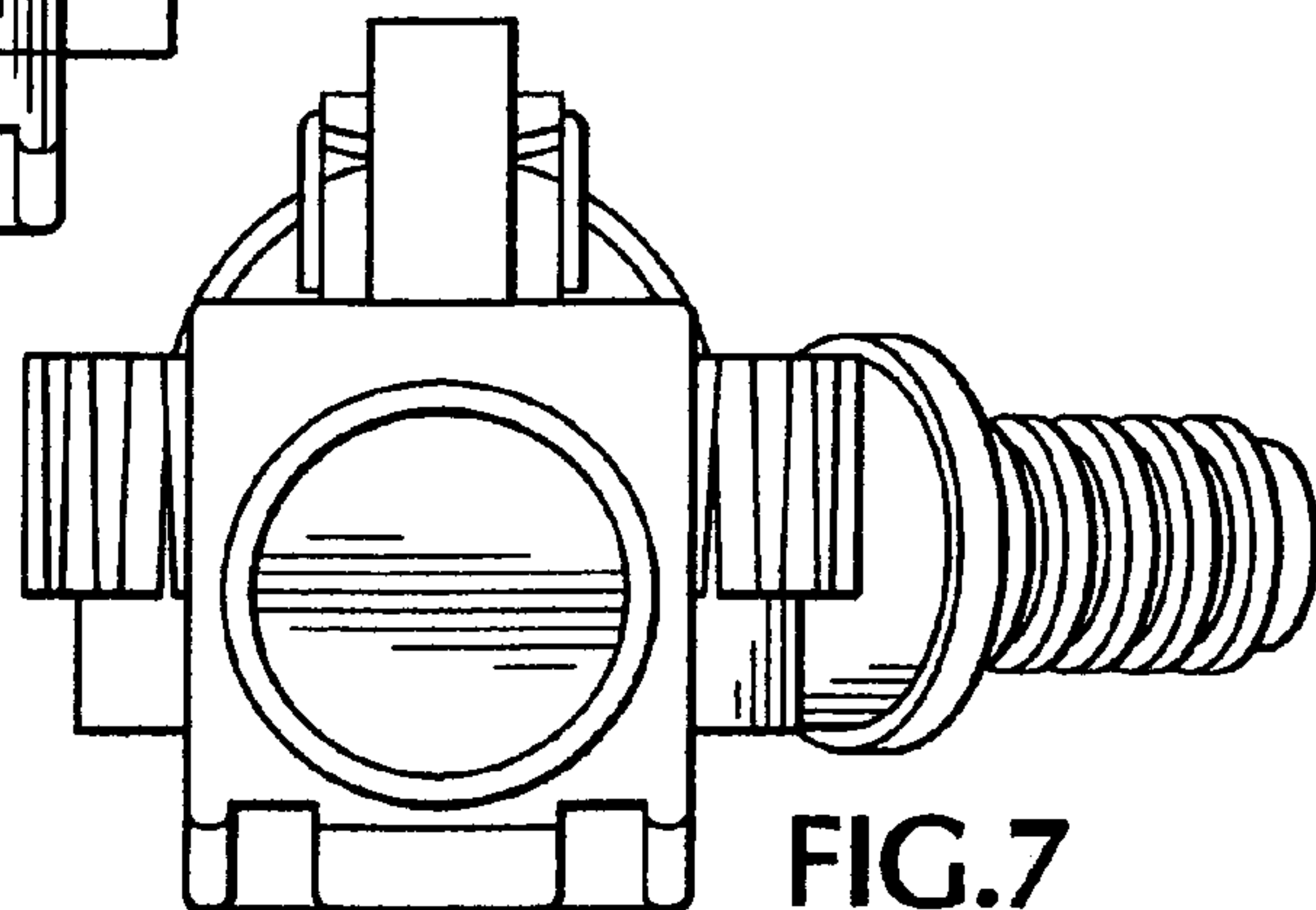


FIG. 7