



US00D558025S

(12) **United States Design Patent**  
**Rohde et al.**

(10) **Patent No.:** **US D558,025 S**  
(45) **Date of Patent:** **\*\* Dec. 25, 2007**

(54) **LOCK**

D547,161 S \* 7/2007 Blomstrom et al. .... D8/334

(75) Inventors: **Christopher Rohde**, West Allis, WI (US); **John Blomstrom**, Milwaukee, WI (US); **Scott Kalous**, Kenosha, WI (US)

\* cited by examiner

*Primary Examiner*—Mitchell Siegel  
(74) *Attorney, Agent, or Firm*—Calfee, Halter & Griswold LLP

(73) Assignee: **Master Lock Company LLC**, Oak Creek, WI (US)

(57) **CLAIM**

(\*\*) Term: **14 Years**

We claim the ornamental design for a lock, as shown and described.

(21) Appl. No.: **29/266,868**

**DESCRIPTION**

(22) Filed: **Sep. 29, 2006**

FIG. 1 is a perspective view of a lock made in accordance with an embodiment of the new design;

(51) **LOC (8) Cl.** ..... **08-07**

FIG. 2 is a front view of the lock of FIG. 1;

(52) **U.S. Cl.** ..... **D8/334**

FIG. 3 is a rear view of the lock of FIG. 1;

(58) **Field of Classification Search** ..... D8/330–348;  
70/20–22, 24, 27, 29, 35, 40–44, 51, 54–55,  
70/431, 443, 437

FIG. 4 is a side view of the lock of FIG. 1, the opposite side being a mirror image of FIG. 4;

See application file for complete search history.

FIG. 5 is a top view of the lock of FIG. 1; and,

(56) **References Cited**

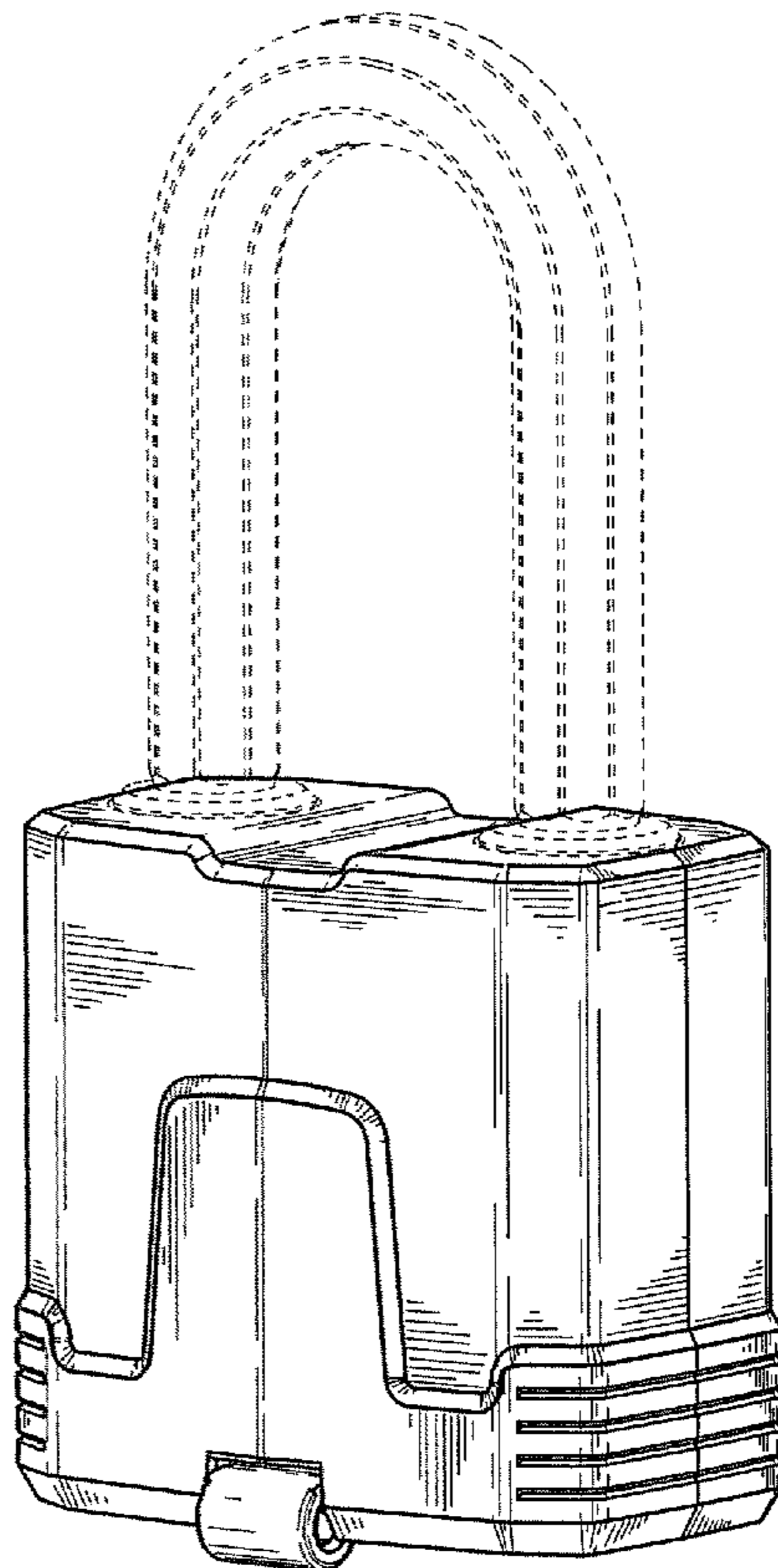
FIG. 6 is a bottom view of the lock of FIG. 1.

**U.S. PATENT DOCUMENTS**

The portions of the Figures shown in phantom lines are not part of the claimed design but are for either illustration only, or to define the boundaries of the claimed design.

- D408,262 S \* 4/1999 Liu ..... D8/334
- D423,324 S \* 4/2000 Liu ..... D8/334
- D484,391 S \* 12/2003 Hackbarth et al. .... D8/346

**1 Claim, 2 Drawing Sheets**



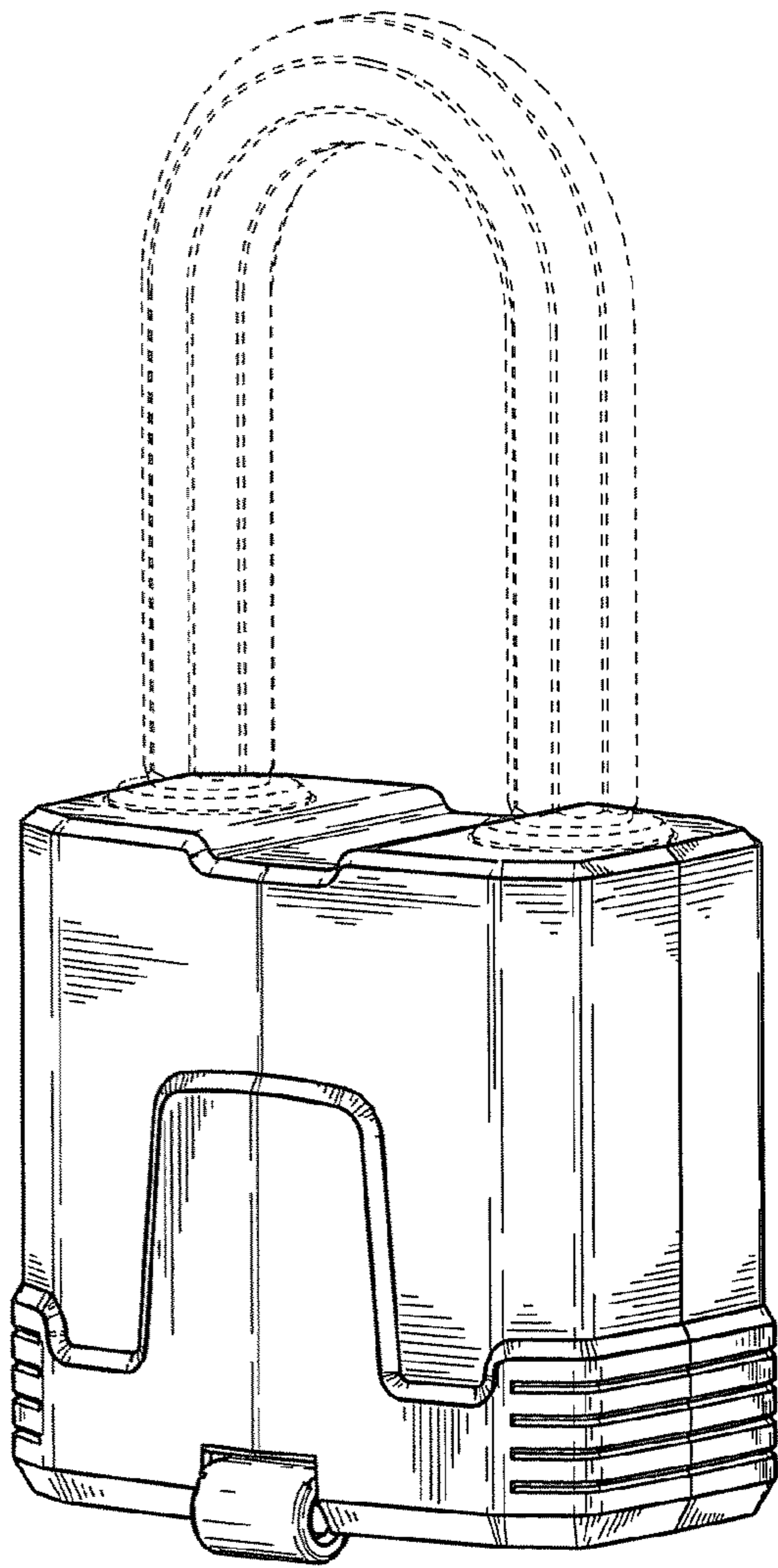


Fig. 1

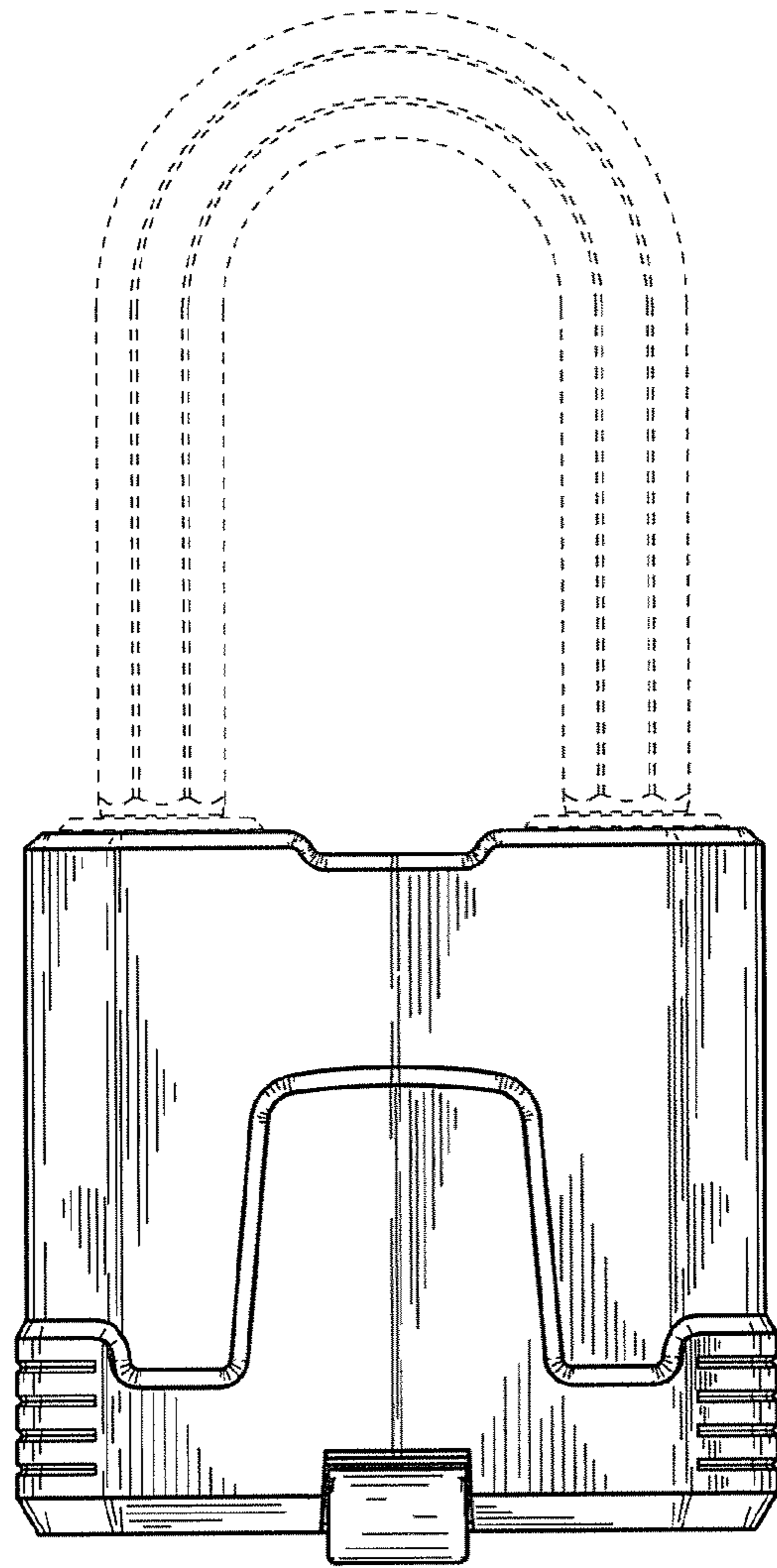


Fig. 2



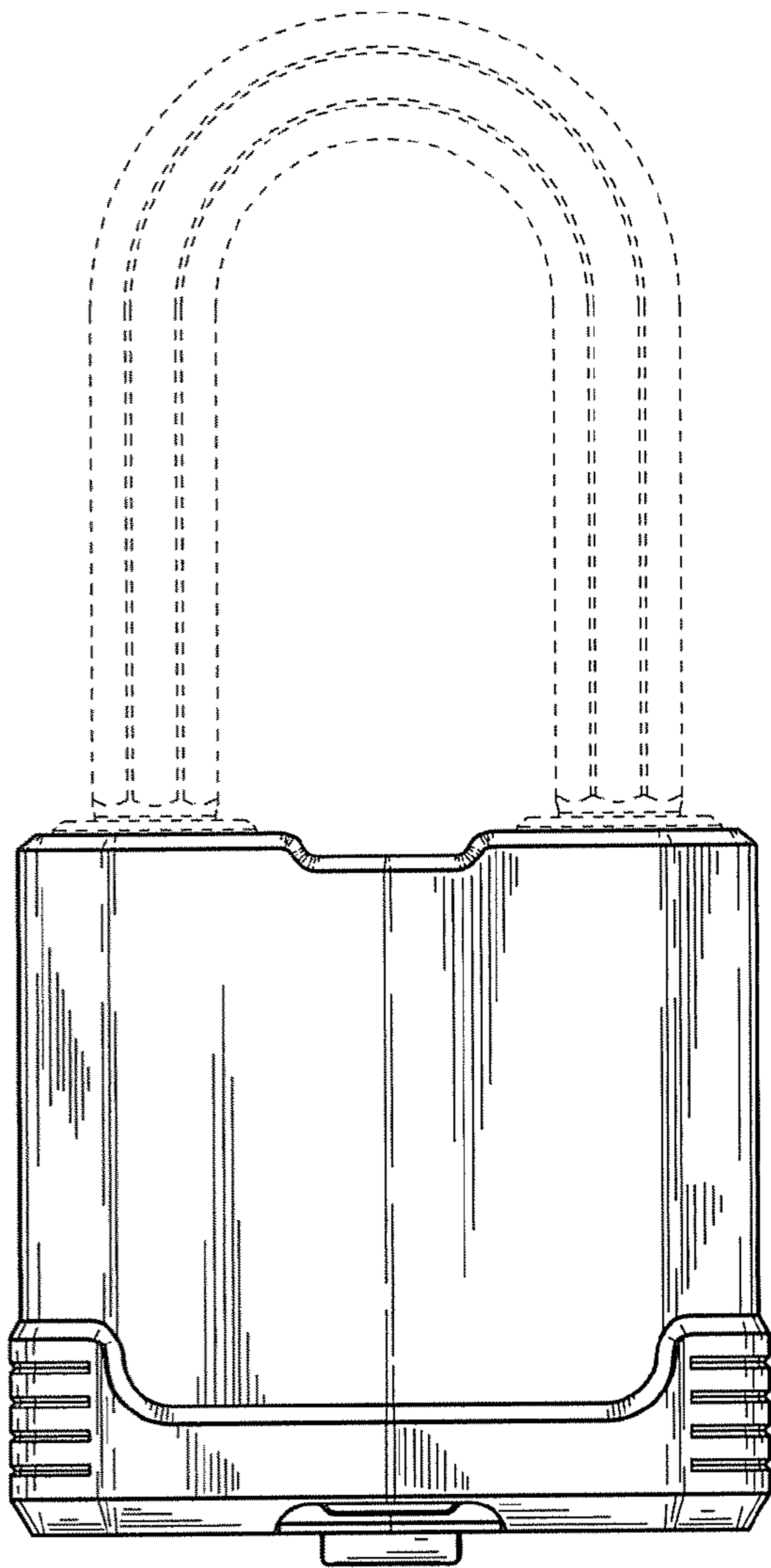


Fig. 3

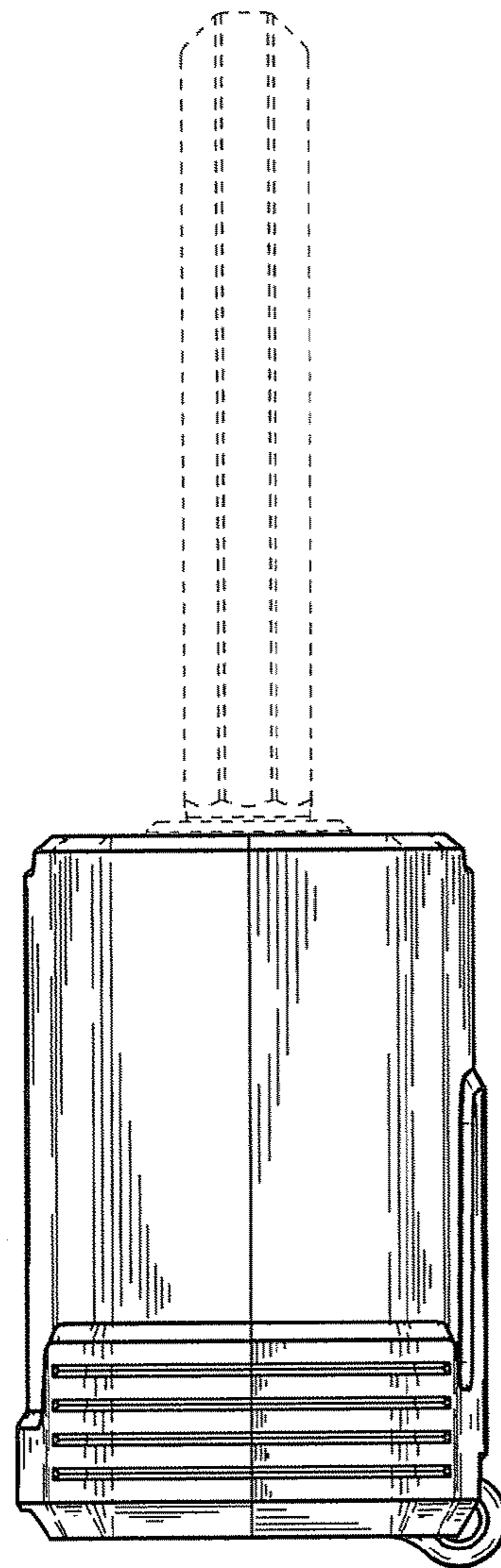


Fig. 4

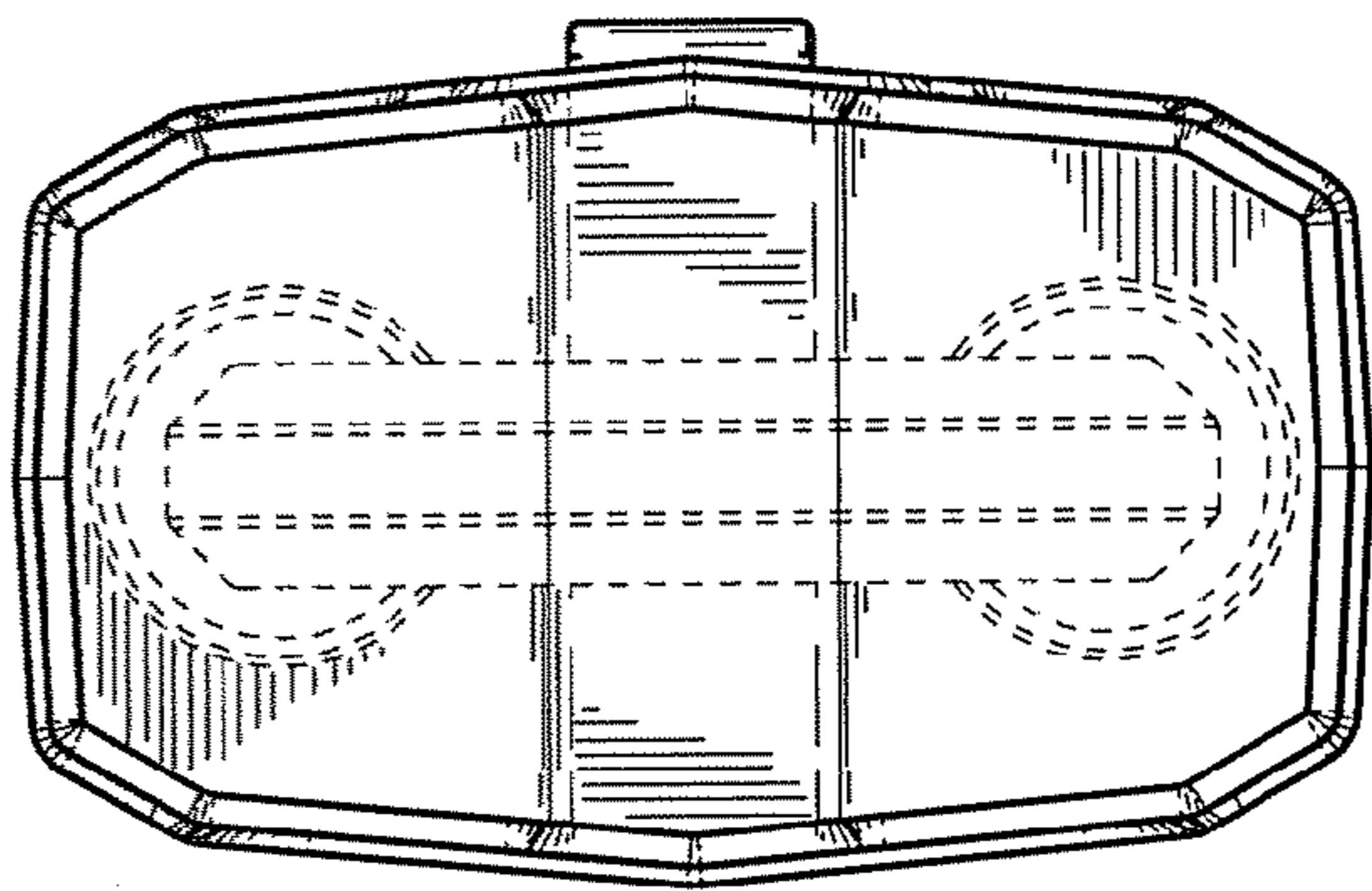


Fig. 5

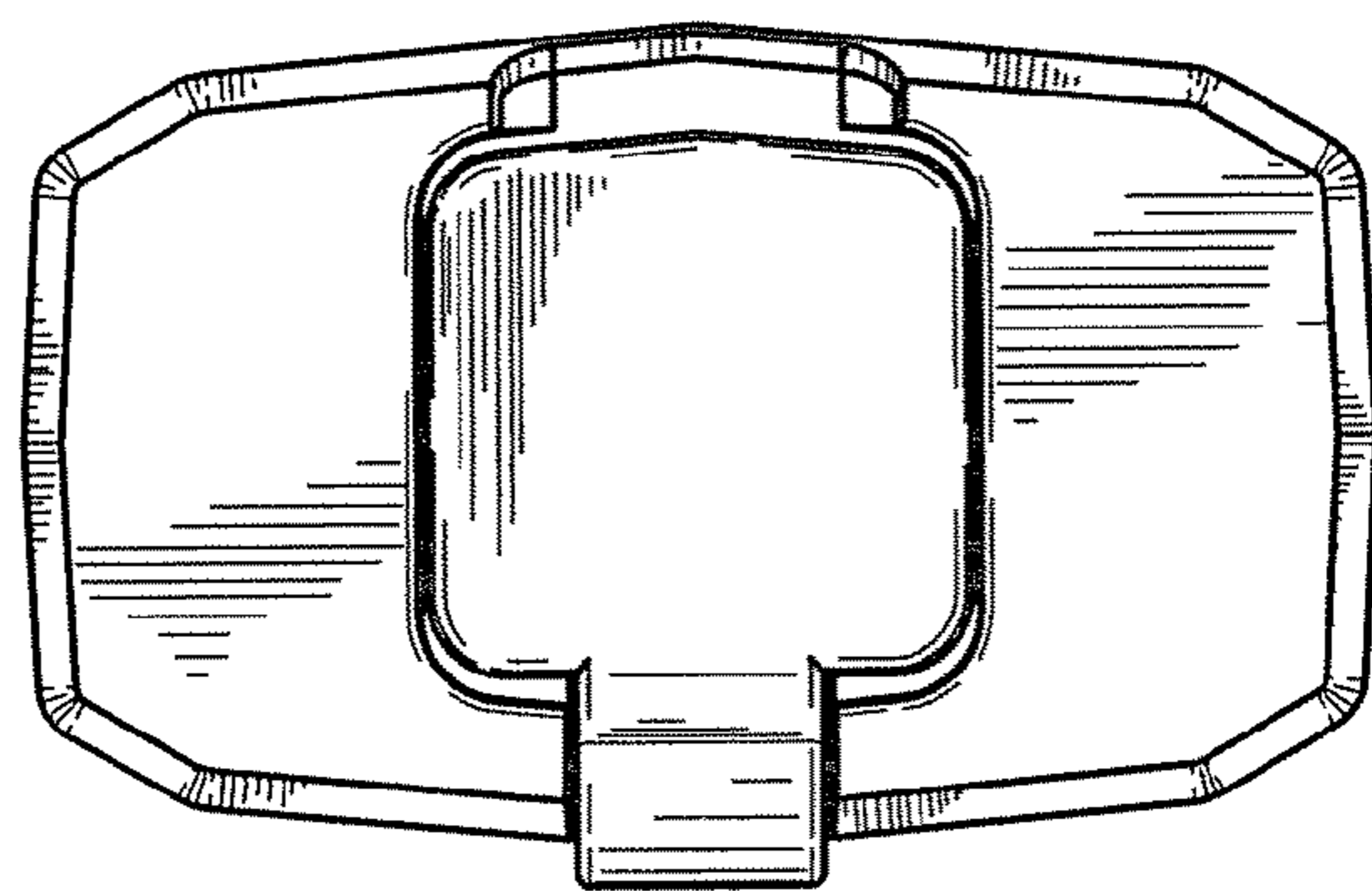


Fig. 6