



US00D558024S

(12) **United States Design Patent**
Tremble et al.

(10) **Patent No.:** **US D558,024 S**

(45) **Date of Patent:** **** Dec. 25, 2007**

(54) **LOCK**

(75) Inventors: **John Tremble**, Redmond, WA (US);
Oliver Grabes, Dusseldorf (DE); **Tim Hulford**, Seattle, WA (US)

(73) Assignee: **Milgard Manufacturing Incorporated**, Tacoma, WA (US)

(**) Term: **14 Years**

(21) Appl. No.: **29/267,378**

(22) Filed: **Oct. 12, 2006**

(51) **LOC (8) Cl.** **08-07**

(52) **U.S. Cl.** **D8/331**

(58) **Field of Classification Search** D8/330-348;
70/67, 69, 70-72, 74; 292/58, 103, 108,
292/99, 286, 205, 204, 228

See application file for complete search history.

(56) **References Cited**

U.S. PATENT DOCUMENTS

151,529 A	6/1874	Baker
466,184 A	12/1891	Pumyea
939,480 A	11/1909	Deggim
1,058,584 A	4/1913	Hendricks
1,280,993 A	10/1918	Hammer
1,654,221 A	12/1927	Kline
1,728,276 A	9/1929	Hoyt
2,140,890 A	12/1938	Waitekaites
2,217,248 A	10/1940	Ferruggia
2,503,370 A	4/1950	Zanona
2,560,274 A	7/1951	Cantello
2,802,682 A	8/1957	Enckevort
2,950,137 A	8/1960	Check
3,082,617 A	3/1963	Kerman
3,939,529 A	2/1976	Davis

3,984,136 A	10/1976	Bills
4,102,012 A	7/1978	Davis
4,226,002 A	10/1980	Davis
4,259,811 A	4/1981	Davis
4,441,835 A	4/1984	Davis
4,555,829 A	12/1985	Davis
4,582,435 A	4/1986	Davis
4,699,406 A	10/1987	Swanson, Jr.
D293,765 S *	1/1988	Miles et al. D8/330

(Continued)

Primary Examiner—Mitchell Siegel

(74) *Attorney, Agent, or Firm*—Foley & Lardner LLP

(57) **CLAIM**

We claim the ornamental design for a lock, as shown and described.

DESCRIPTION

FIG. 1 is a perspective view of a lock;

FIG. 2 is a top plan elevation view of the lock illustrated in FIG. 1;

FIG. 3 is a front elevation view of the lock illustrated in FIG. 1;

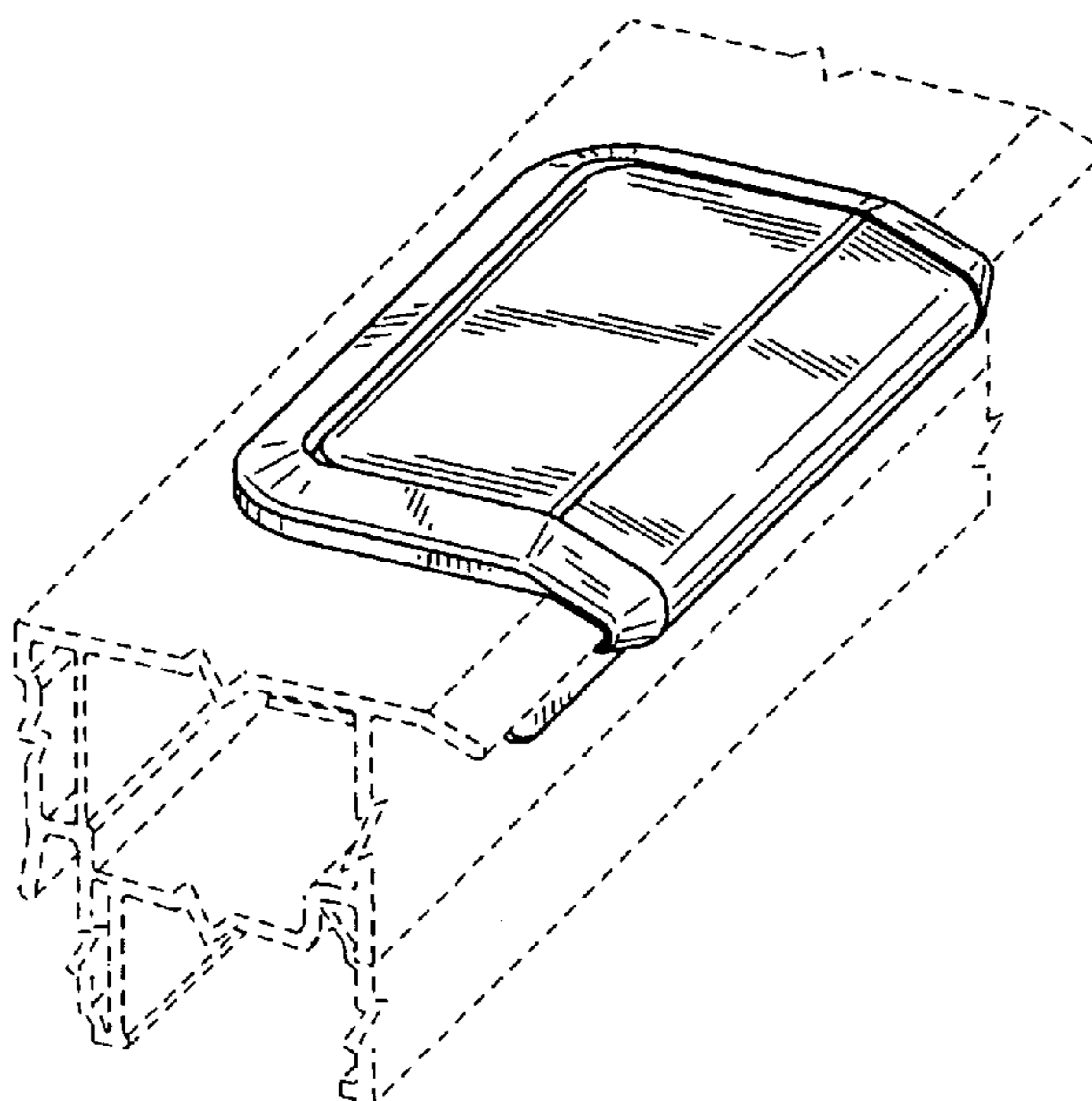
FIG. 4 is a side elevation view of the lock illustrated in FIG. 1;

FIG. 5 is a back elevation view of the lock illustrated in FIG. 1; and,

FIG. 6 is bottom plan elevation view of the lock illustrated in FIG. 1.

The ornamental design which is claimed is shown in solid lines in the drawings. The broken lines in the drawings are for illustrative purposes only and form no part of the claimed design.

1 Claim, 3 Drawing Sheets



US D558,024 S

Page 2

U.S. PATENT DOCUMENTS					
4,826,222	A	5/1989 Davis	5,975,598	A	11/1999 Fischer
4,968,072	A	11/1990 Taylor et al.	6,098,340	A	8/2000 Francis
5,090,754	A	2/1992 Thompson	6,138,325	A	10/2000 Figliola et al.
5,125,697	A *	6/1992 Kahl et al. 292/204	D442,464	S	5/2001 Richardson
5,139,291	A	8/1992 Schultz	D448,647	S	10/2001 Goldsbury
5,193,249	A	3/1993 Bucher	6,314,681	B1	11/2001 Moody
5,210,908	A	5/1993 Bucher	D452,130	S	12/2001 Richardson
5,244,238	A	9/1993 Lindqvist	D459,208	S	6/2002 Figliola
5,331,766	A	7/1994 Bennett	6,412,834	B1	7/2002 Waitai et al.
5,450,654	A	9/1995 Sullivan	6,450,063	B1	9/2002 Harvey et al.
5,509,177	A	4/1996 Hindin et al.	D470,389	S	2/2003 Richardson
D373,316	S	9/1996 Walters	6,598,910	B2	7/2003 McGregor et al.
D373,998	S	9/1996 Tutt et al.	D483,649	S	12/2003 Linford et al.
D374,394	S	10/1996 Lynch et al.	6,669,242	B2	12/2003 Fontaine et al.
D376,098	S	12/1996 Bucher	6,764,115	B1	7/2004 Speed et al.
5,669,639	A	9/1997 Lawrence	D495,237	S	8/2004 Tozer
D384,880	S	10/1997 Harvey et al.	D495,582	S	9/2004 Richardson et al.
D392,182	S	3/1998 Taylor et al.	6,827,376	B2	12/2004 Fontaine
D395,222	S	6/1998 Fontaine	6,846,025	B2	1/2005 Sclater et al.
5,791,805	A	8/1998 Lynch et al.	6,848,728	B2	2/2005 Rotondi et al.
5,829,199	A	11/1998 Harvey et al.	D508,195	S	8/2005 Pack et al.
5,901,501	A *	5/1999 Fontaine 292/228	6,952,916	B1	10/2005 Fontaine
5,937,582	A	8/1999 Taylor	2002/0195824	A1	12/2002 Fontaine et al.
5,951,068	A	9/1999 Strong et al.	2002/0195826	A1	12/2002 Fontaine
D414,673	S *	10/1999 Dickinson et al. D8/331	2003/0168867	A1	9/2003 Sclater et al.

* cited by examiner

FIG. 1

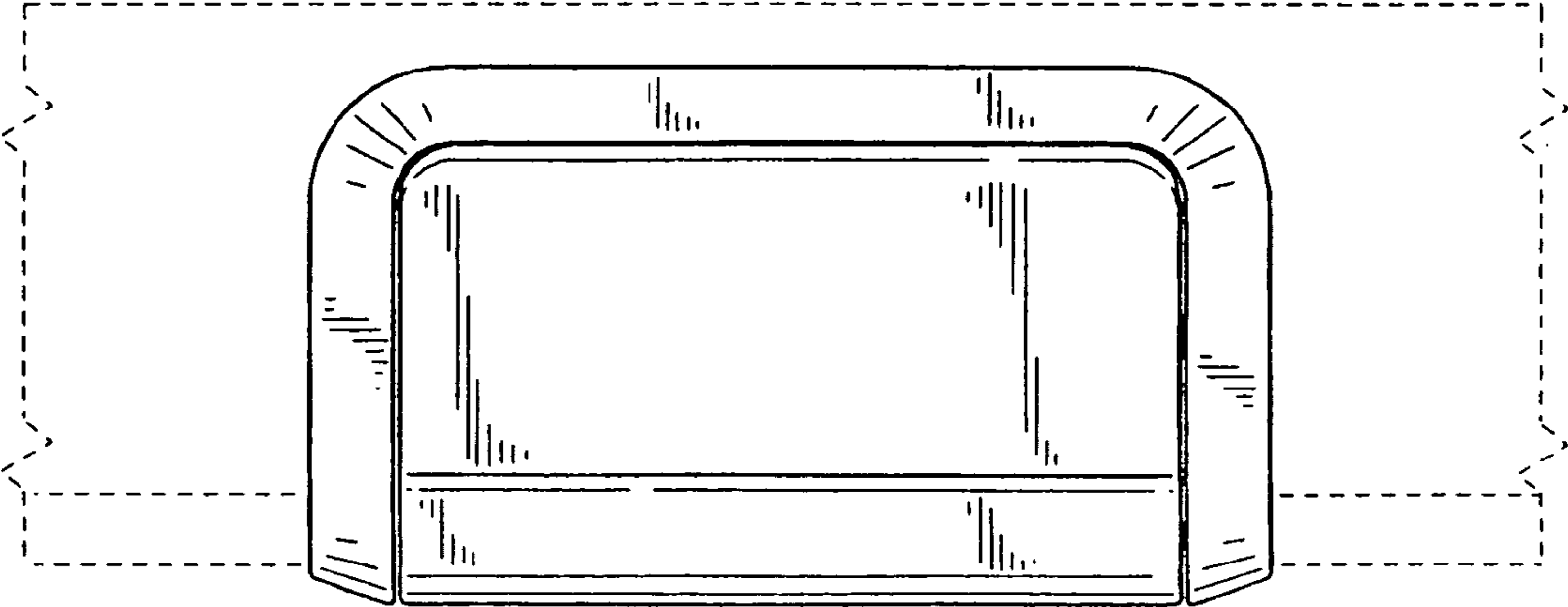
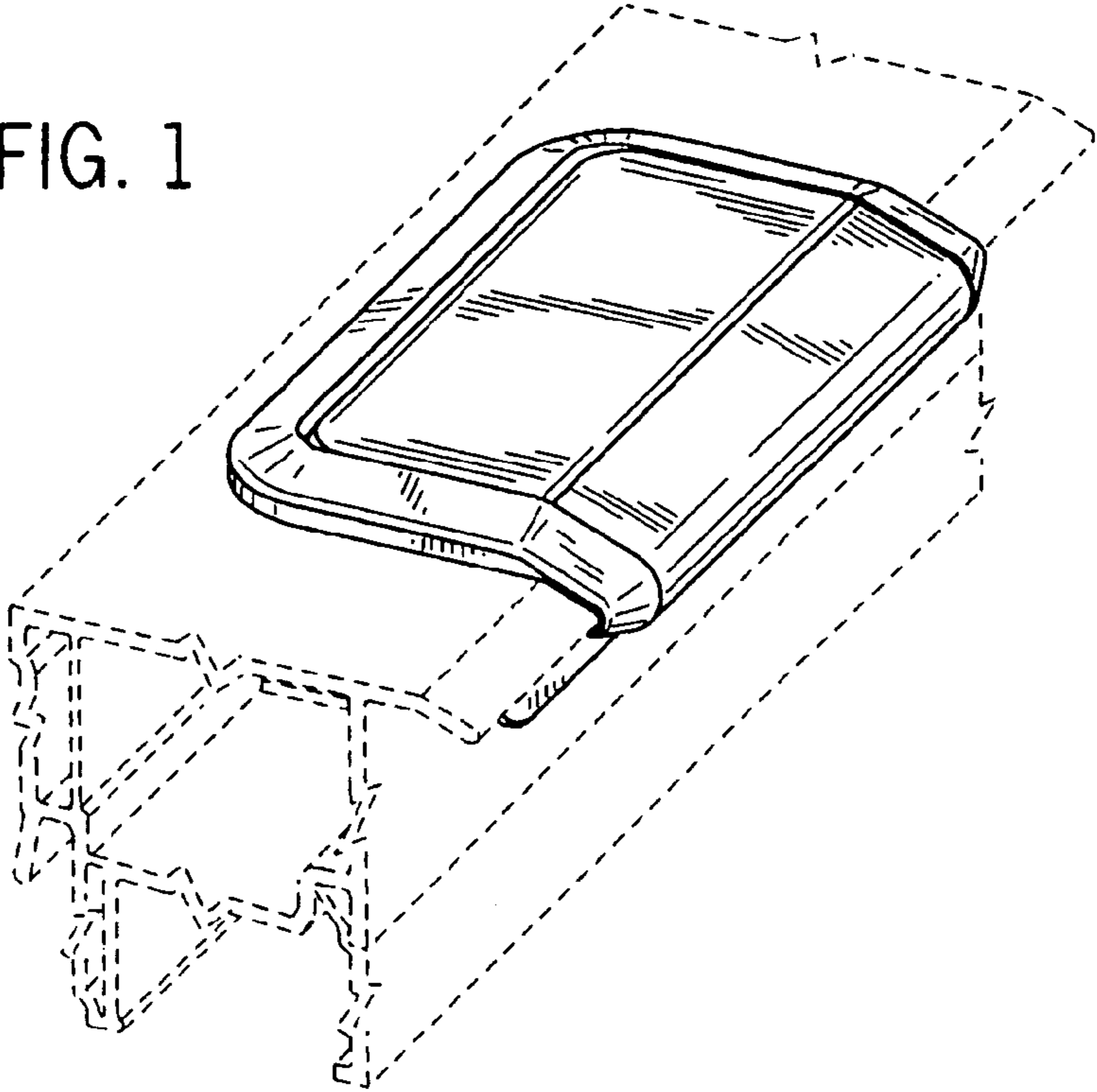


FIG. 2

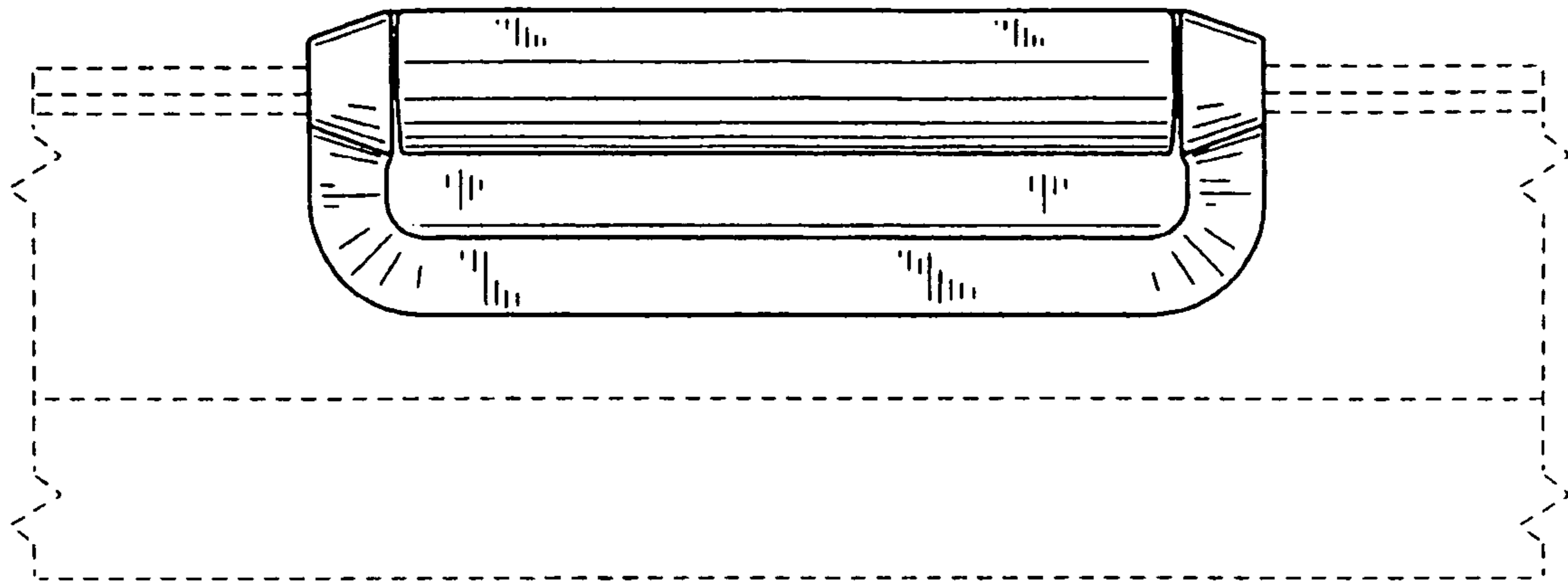


FIG. 3

FIG. 4

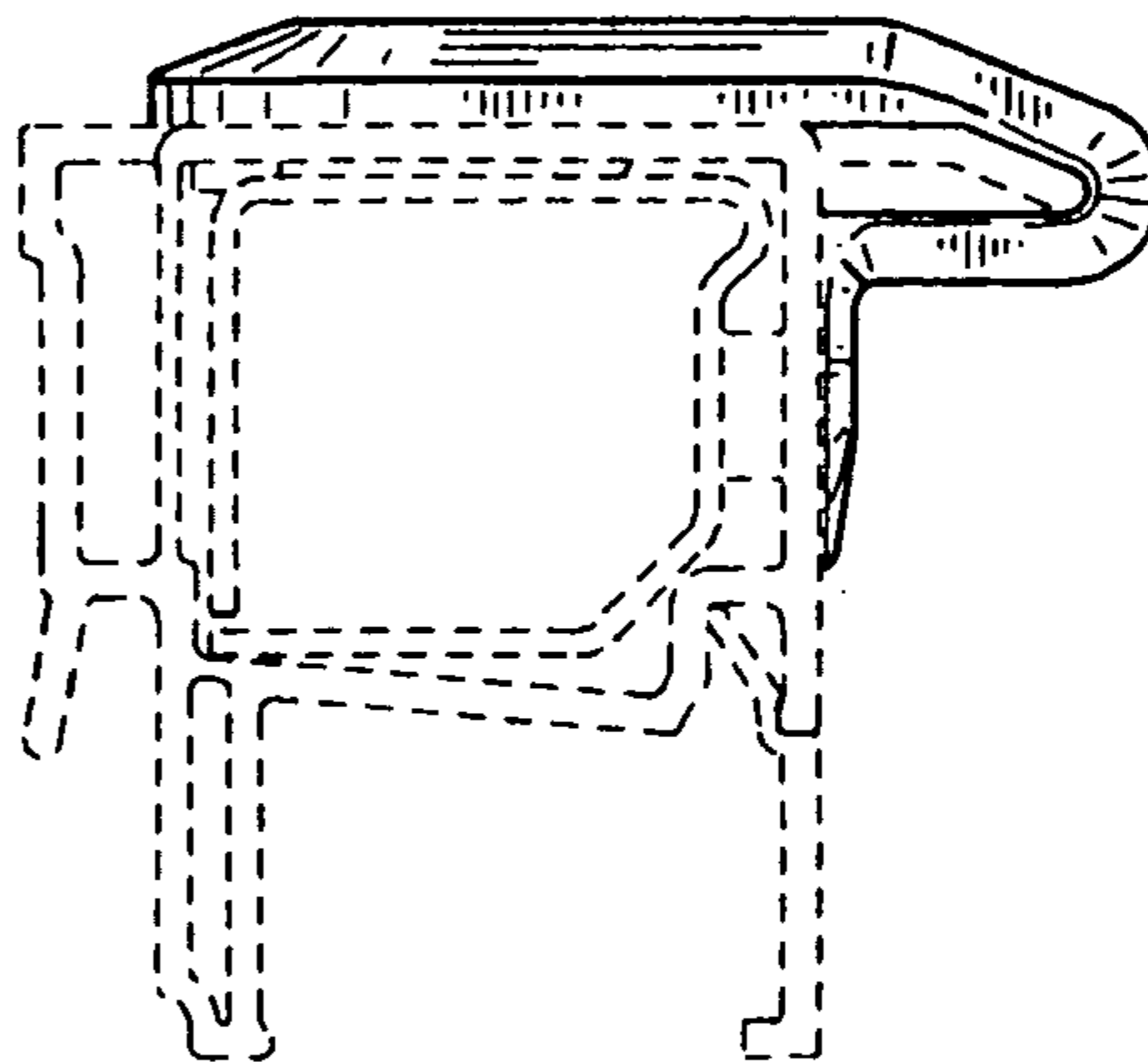


FIG. 5

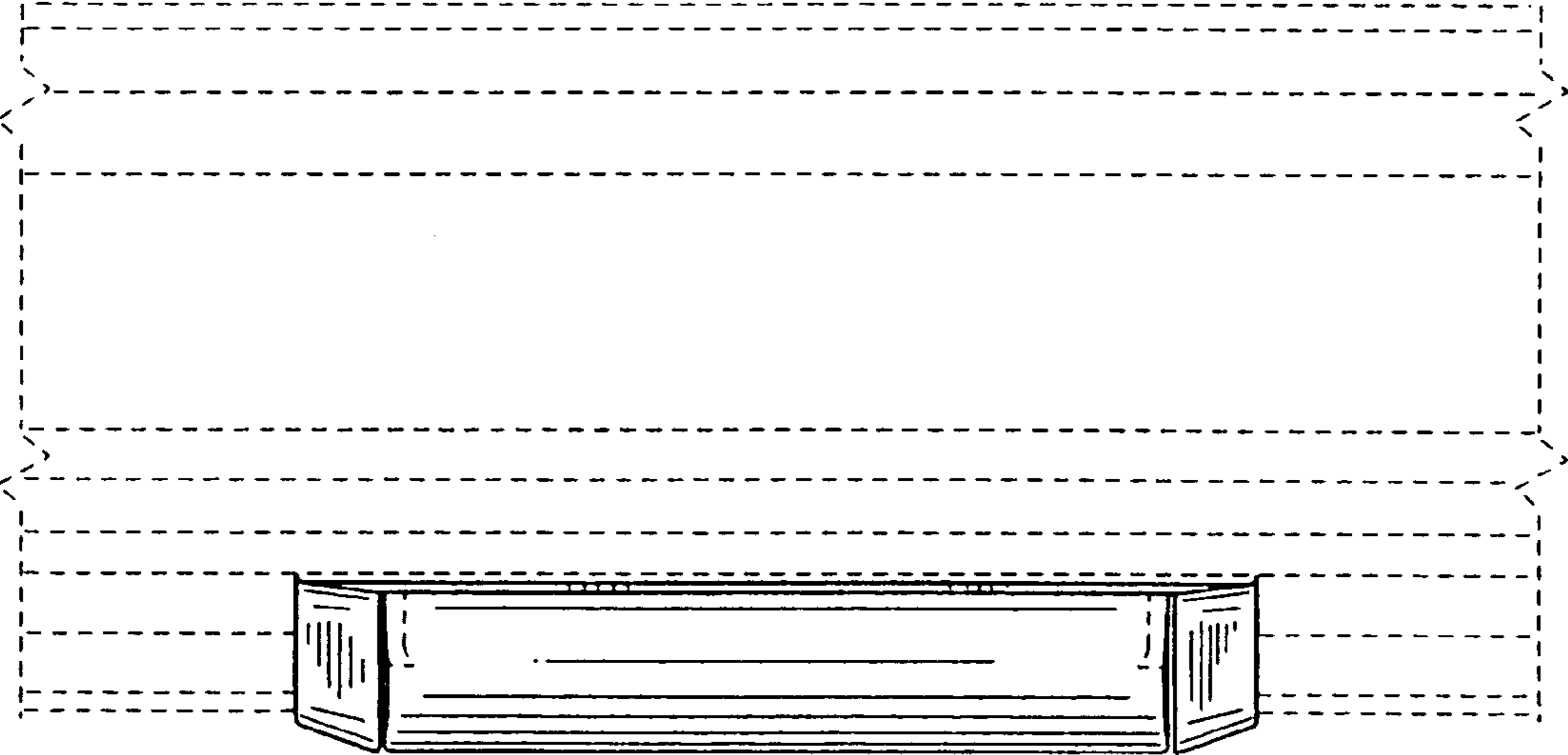
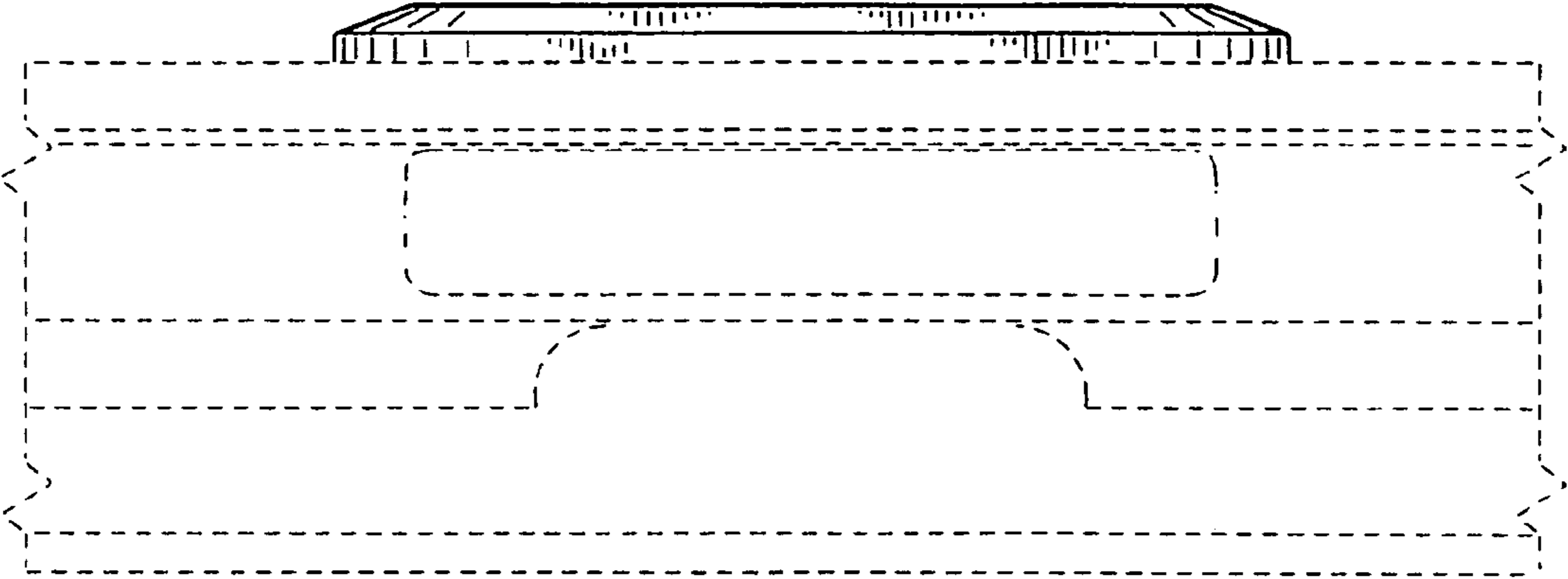


FIG. 6