



US00D558021S

(12) **United States Design Patent**
Lawrence

(10) **Patent No.: US D558,021 S**

(45) **Date of Patent: ** *Dec. 25, 2007**

(54) **METAL FABRICATION CLAMP**

D381,894 S * 8/1997 Lun D8/396

(76) Inventor: **Roger Lawrence**, 30 E. Cliff St.,
Somerville, NJ (US) 08876

* cited by examiner

Primary Examiner—Louis S. Zarfaz

Assistant Examiner—G. Andoll

(74) *Attorney, Agent, or Firm*—Horst M. Kasper

(*) Notice: This patent is subject to a terminal disclaimer.

(**) Term: **14 Years**

(57) **CLAIM**

(21) Appl. No.: **29/175,149**

I claim the ornamental design for a metal fabrication clamp,
as shown and described.

(22) Filed: **Jan. 30, 2003**

DESCRIPTION

(51) **LOC (8) Cl.** **08-05**

(52) **U.S. Cl.** **D8/72; D8/396**

(58) **Field of Classification Search** D8/71,
D8/72, 396; 269/87.2, 101, 128, 237, 258,
269/285; 24/278

See application file for complete search history.

FIG. 1 is a front elevation view of a metal fabrication clamp,
showing my new design;

FIG. 2 is a rear elevation view;

FIG. 3 is a side elevation view, the opposite side being a
mirror image thereof;

FIG. 4 is a top view; and,

FIG. 5 is a bottom view.

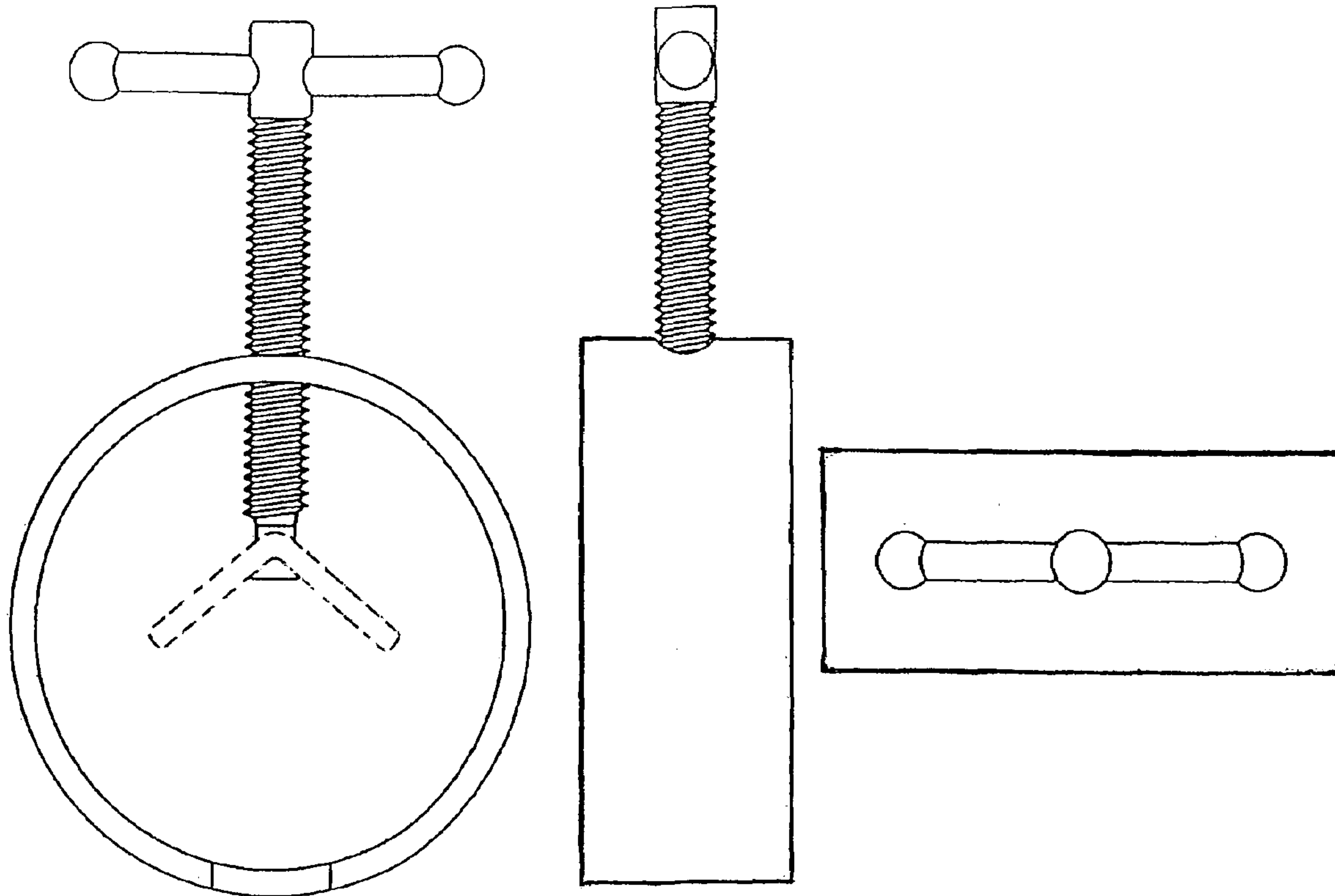
The broken lines in the Figures are for illustrative purposes
only and form no part of the claimed design.

(56) **References Cited**

U.S. PATENT DOCUMENTS

- 1,695,340 A * 12/1928 Miller 24/278
- 1,816,723 A * 7/1931 Dunoyer 269/285
- 2,024,112 A * 12/1935 Phillis 269/87.2
- D225,307 S * 12/1972 Matsuura D8/396

1 Claim, 2 Drawing Sheets



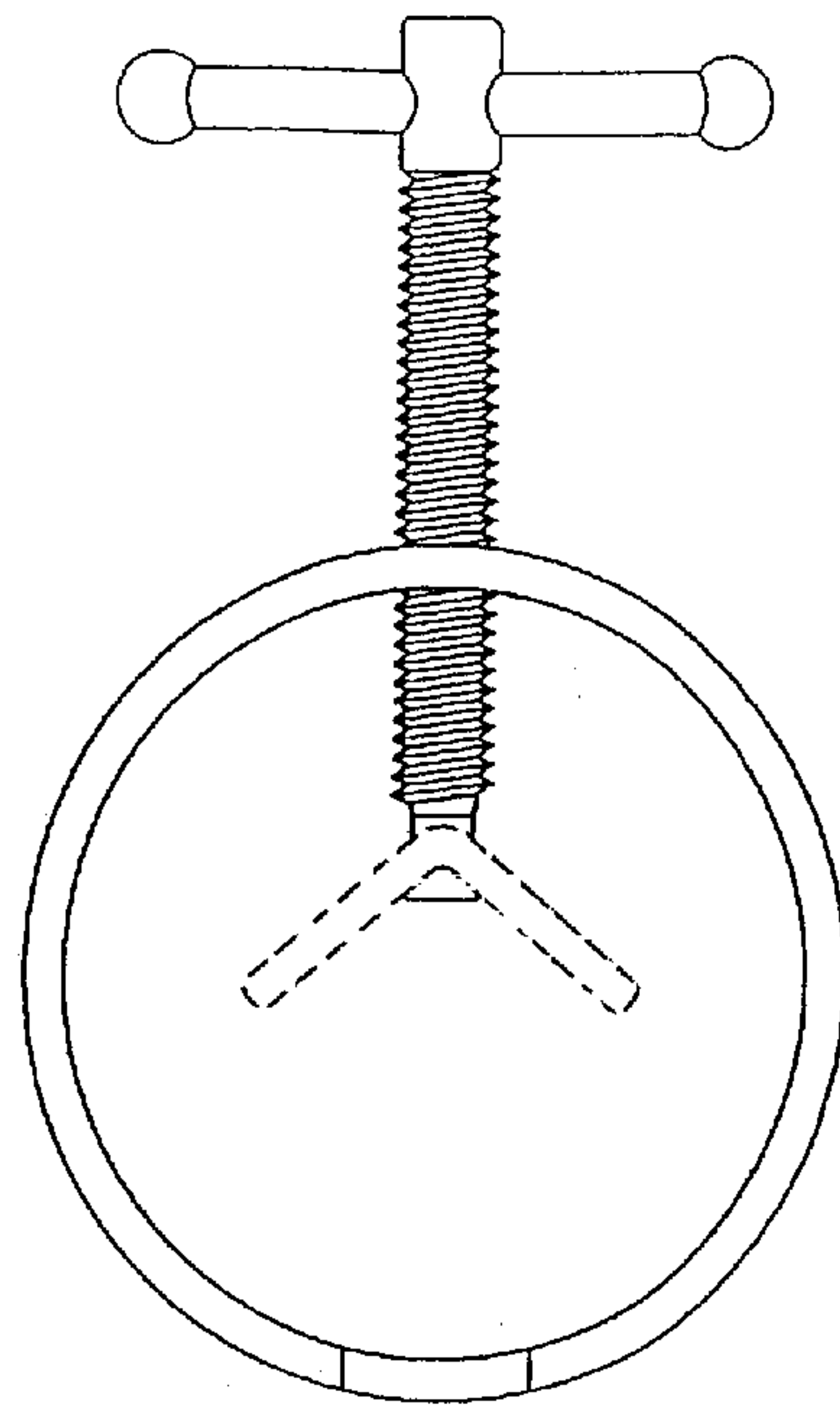


FIG. 1

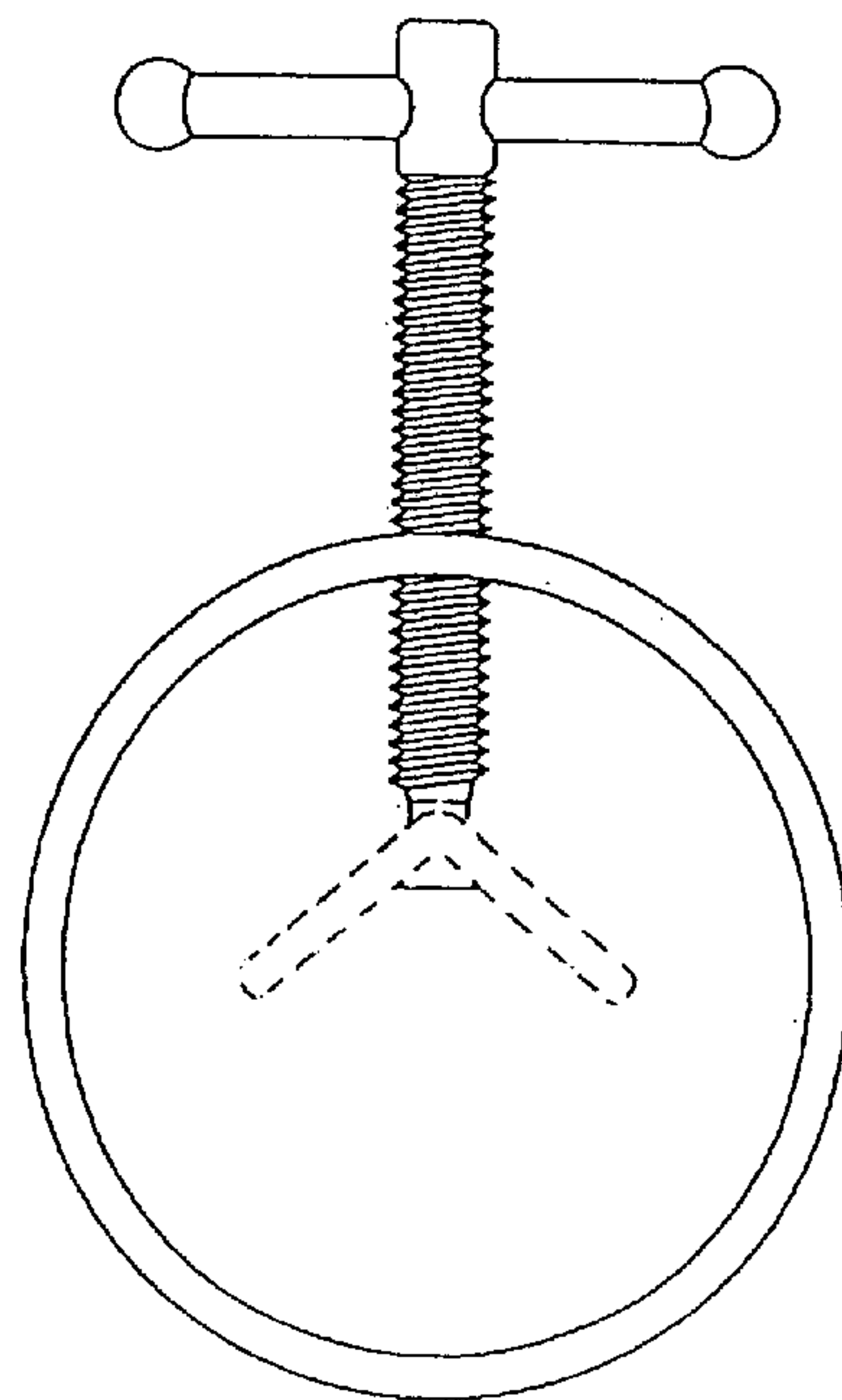


FIG. 2

FIG. 3

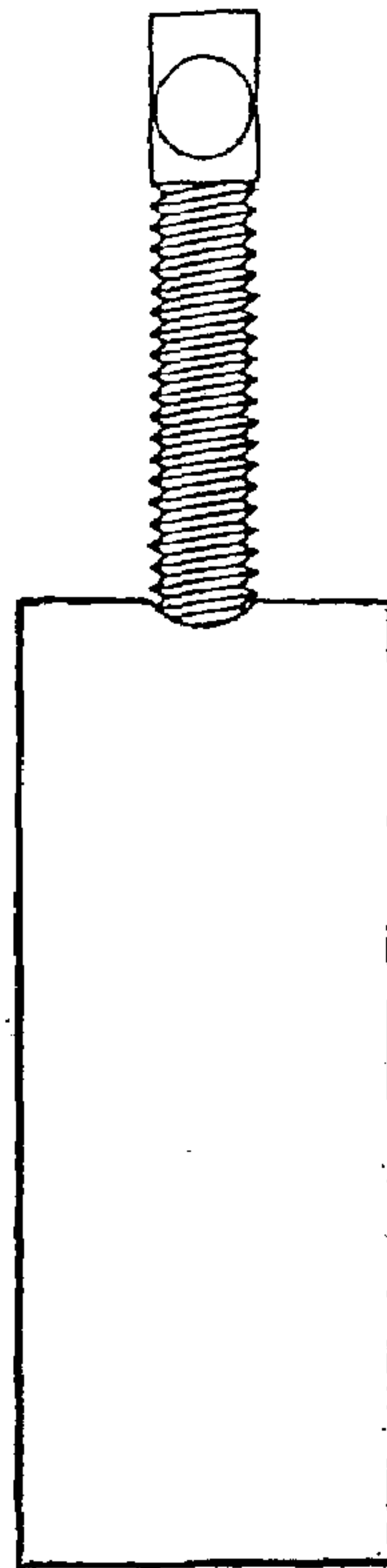


FIG. 4

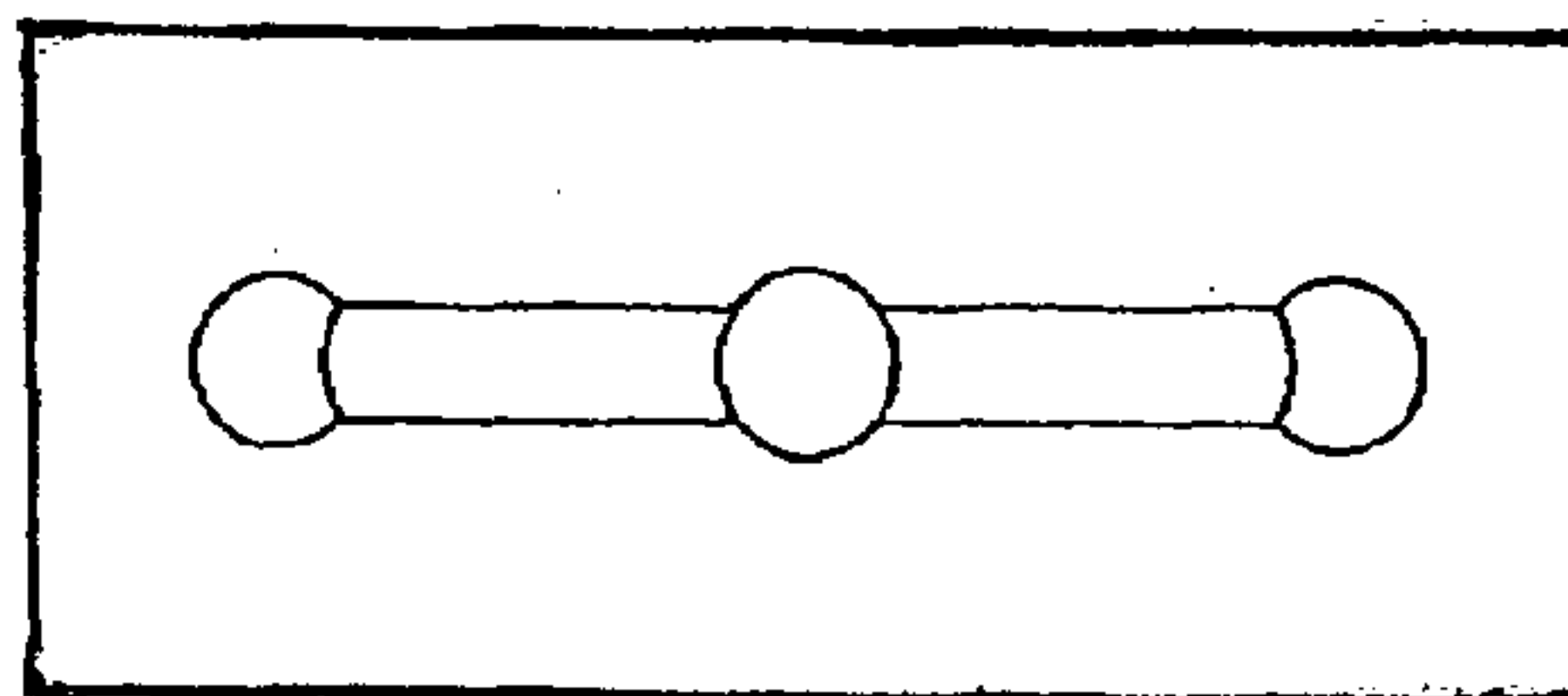
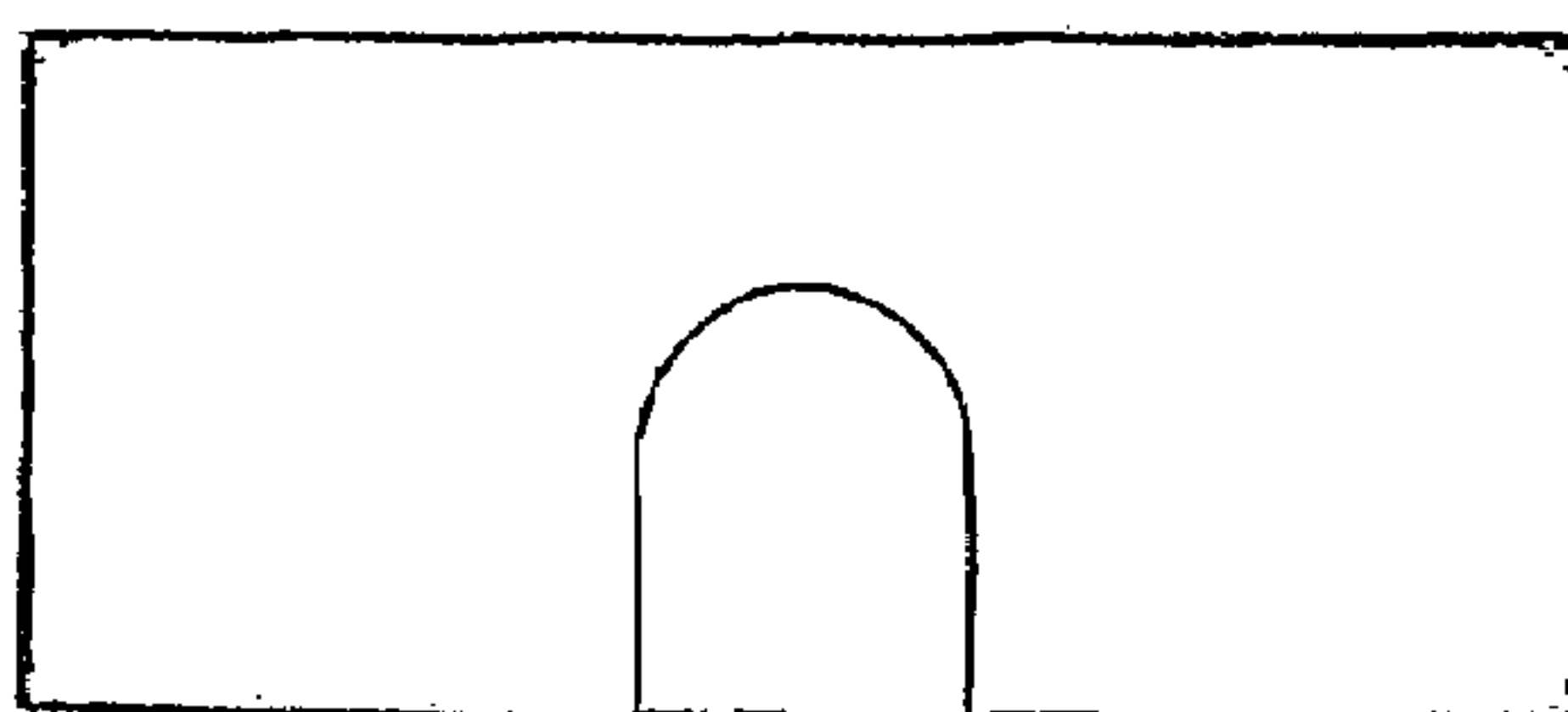


FIG. 5



~ A