



US00D558020S

(12) **United States Design Patent** (10) **Patent No.:** **US D558,020 S**
Karlsson et al. (45) **Date of Patent:** **** Dec. 25, 2007**

(54) **CHAIN SAW**

(75) Inventors: **Kenneth Karlsson**, Hyssna (SE); **Pär Martinsson**, Jönköping (SE)

(73) Assignee: **Husqvarna AB**, Huskvarna (SE)

(**) Term: **14 Years**

(21) Appl. No.: **29/277,856**

(22) Filed: **Mar. 12, 2007**

Related U.S. Application Data

(63) Continuation of application No. 29/214,414, filed on Oct. 1, 2004.

Foreign Application Priority Data

Jul. 12, 2004 (EM) 000201777

(51) **LOC (8) Cl.** **08-03**

(52) **U.S. Cl.** **D8/65**

(58) **Field of Classification Search** D8/7,
D8/8, 9, 68, 70, 65, 66, 67, 62, 63, 64, 61;
30/386, 383, 382, 371, 123; 125/21
See application file for complete search history.

(56) **References Cited**

U.S. PATENT DOCUMENTS

- D176,963 S 2/1956 Mall
- D233,075 S 10/1974 Tuggle
- 4,534,005 A 8/1985 Nagashima et al.
- 4,602,656 A * 7/1986 Nagashima et al. 137/590
- 4,630,372 A 12/1986 Nagashima
- 4,654,970 A 4/1987 Nagashima
- 4,662,071 A 5/1987 Hoppner et al.
- H000378 H 12/1987 Matsumoto
- 4,819,332 A 4/1989 Sugihara et al.
- D320,728 S 10/1991 Arvidsson
- 5,070,618 A 12/1991 Edlund
- D348,192 S * 6/1994 Griffin D8/65

- D361,251 S 8/1995 Griffin
- D364,326 S 11/1995 Lohse et al.
- 5,485,814 A 1/1996 Tuggle et al.
- D377,441 S * 1/1997 Hoppner et al. D8/65
- D381,249 S * 7/1997 Hubbe D8/65
- 5,666,734 A 9/1997 Morrison
- D386,958 S 12/1997 Karlsson et al.
- D412,652 S 8/1999 Durr et al.
- 5,992,025 A 11/1999 Fricke
- 6,016,604 A 1/2000 Wolf et al.
- 6,637,117 B2 10/2003 Kobayashi
- 6,842,987 B1 1/2005 Martinsson et al.
- 6,944,957 B2 9/2005 Donnerdal et al.
- 2002/0073558 A1 6/2002 Tajima et al.
- 2003/0051351 A1 3/2003 Buchholtz et al.
- 2004/0016133 A1 1/2004 Gorenflo et al.
- 2004/0103857 A1 6/2004 Kruse

* cited by examiner

Primary Examiner—Cathron C. Brooks

Assistant Examiner—Austin Murphy

(74) *Attorney, Agent, or Firm*—Pearne & Gordon LLP

(57) **CLAIM**

The ornamental design for a chain saw, as shown and described.

DESCRIPTION

FIG. 1 is a perspective view of my new design for a chain saw;

FIG. 2 is a top view thereof;

FIG. 3 is a rear view of FIG. 1;

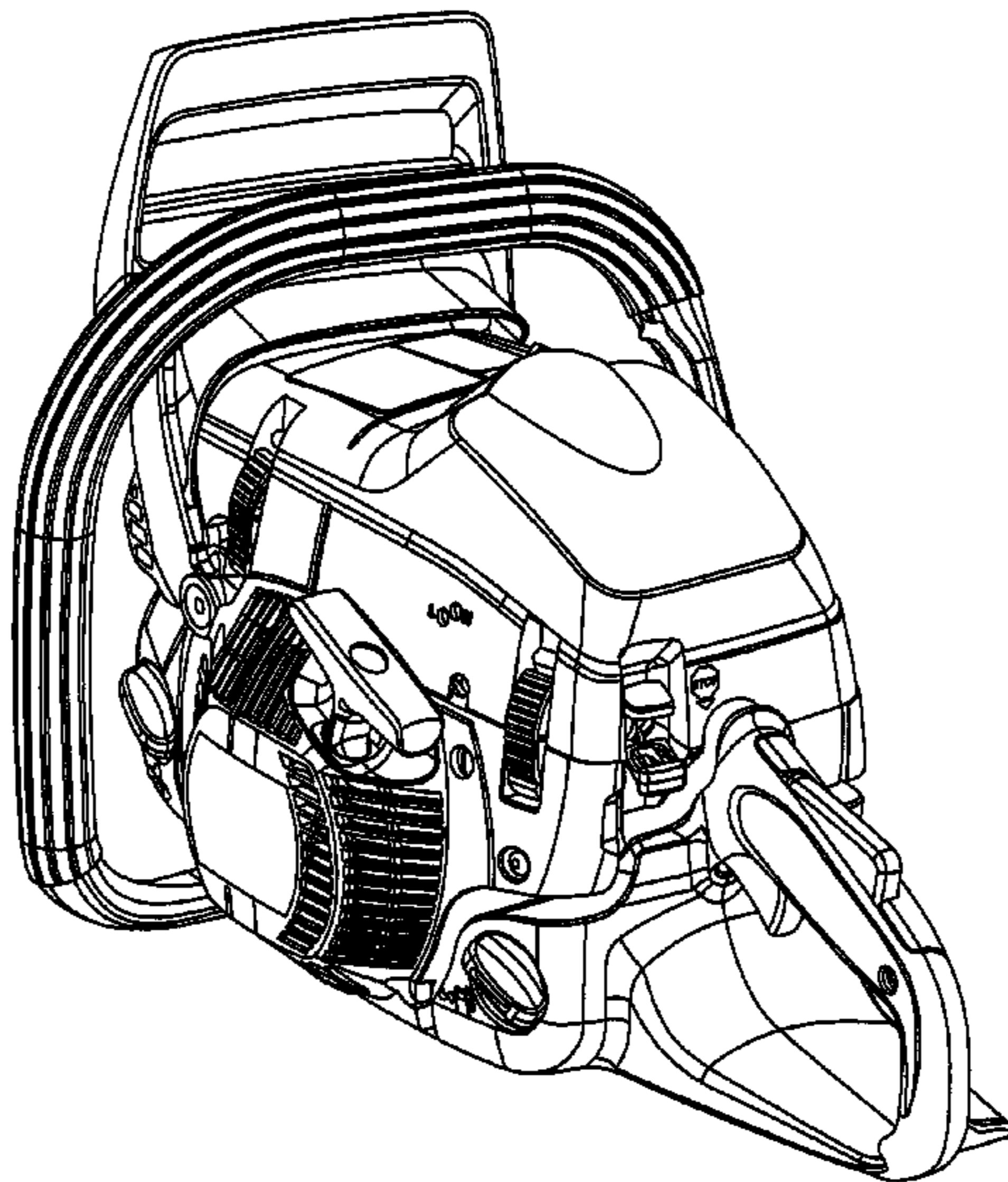
FIG. 4 is a bottom view of FIG. 1;

FIG. 5 is a right side view of FIG. 1; and,

FIG. 6 is a left side view of FIG. 1.

The broken lines shown in the drawings form no part of the claimed design.

1 Claim, 6 Drawing Sheets



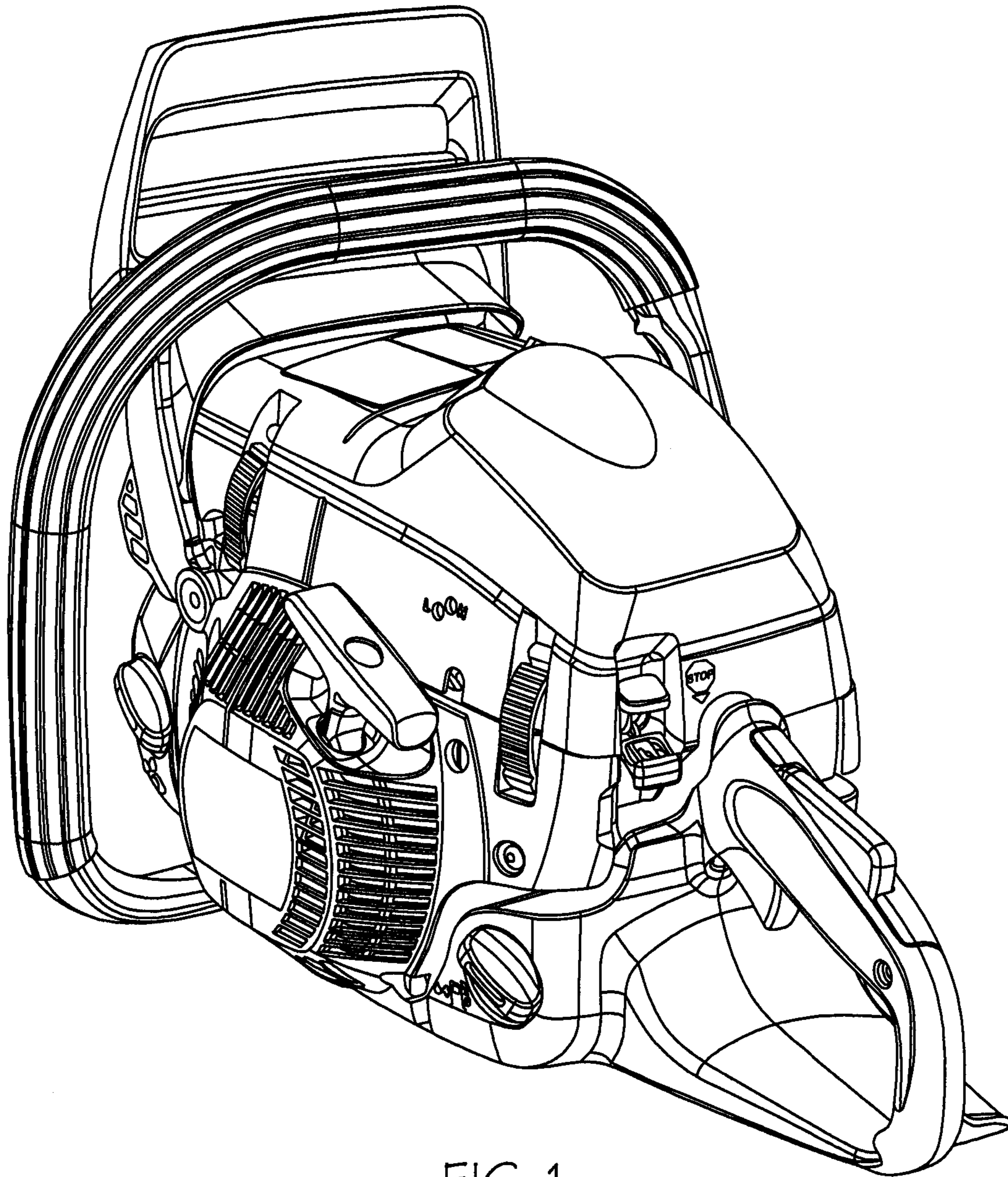


FIG. 1

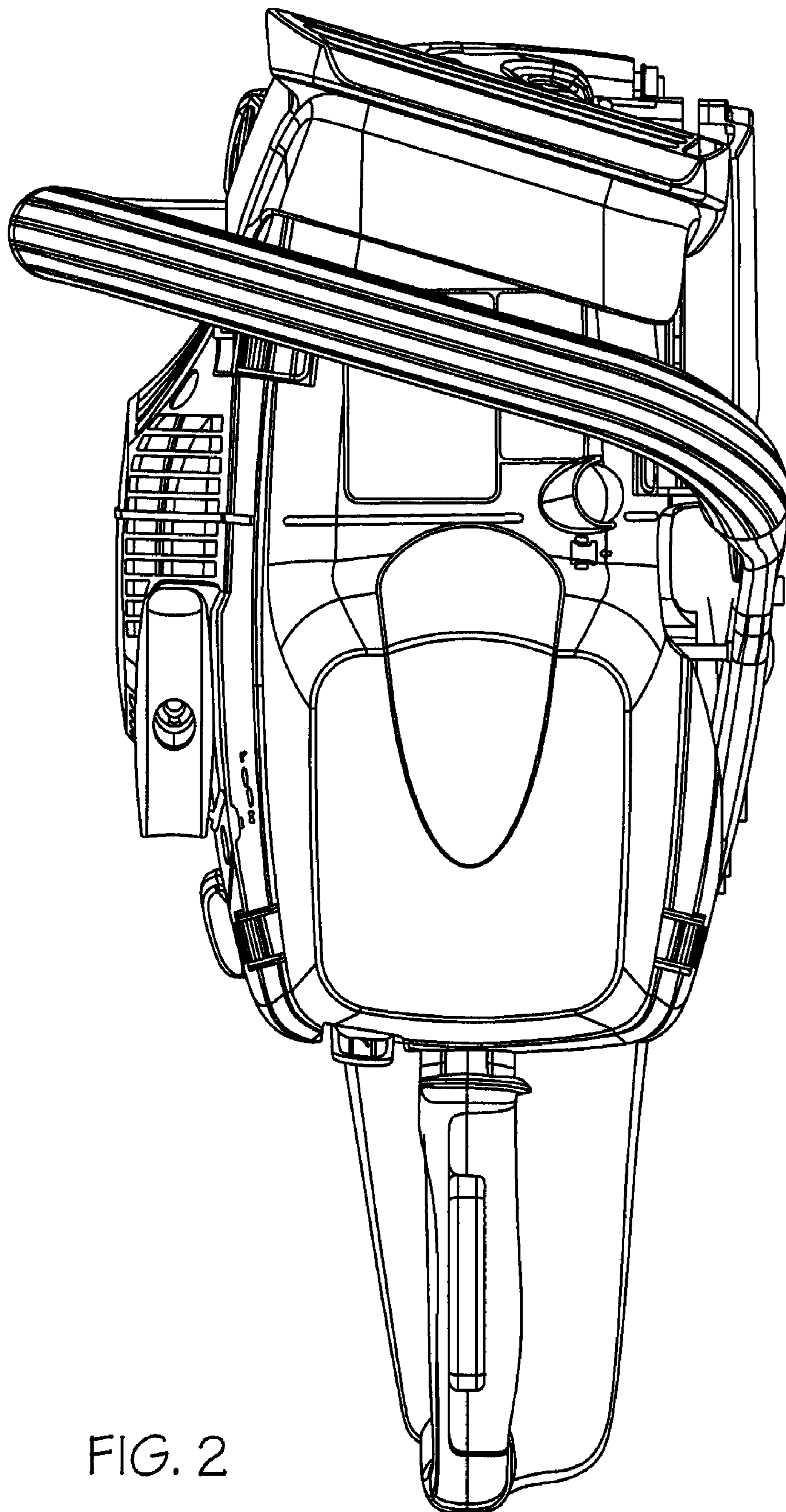


FIG. 2

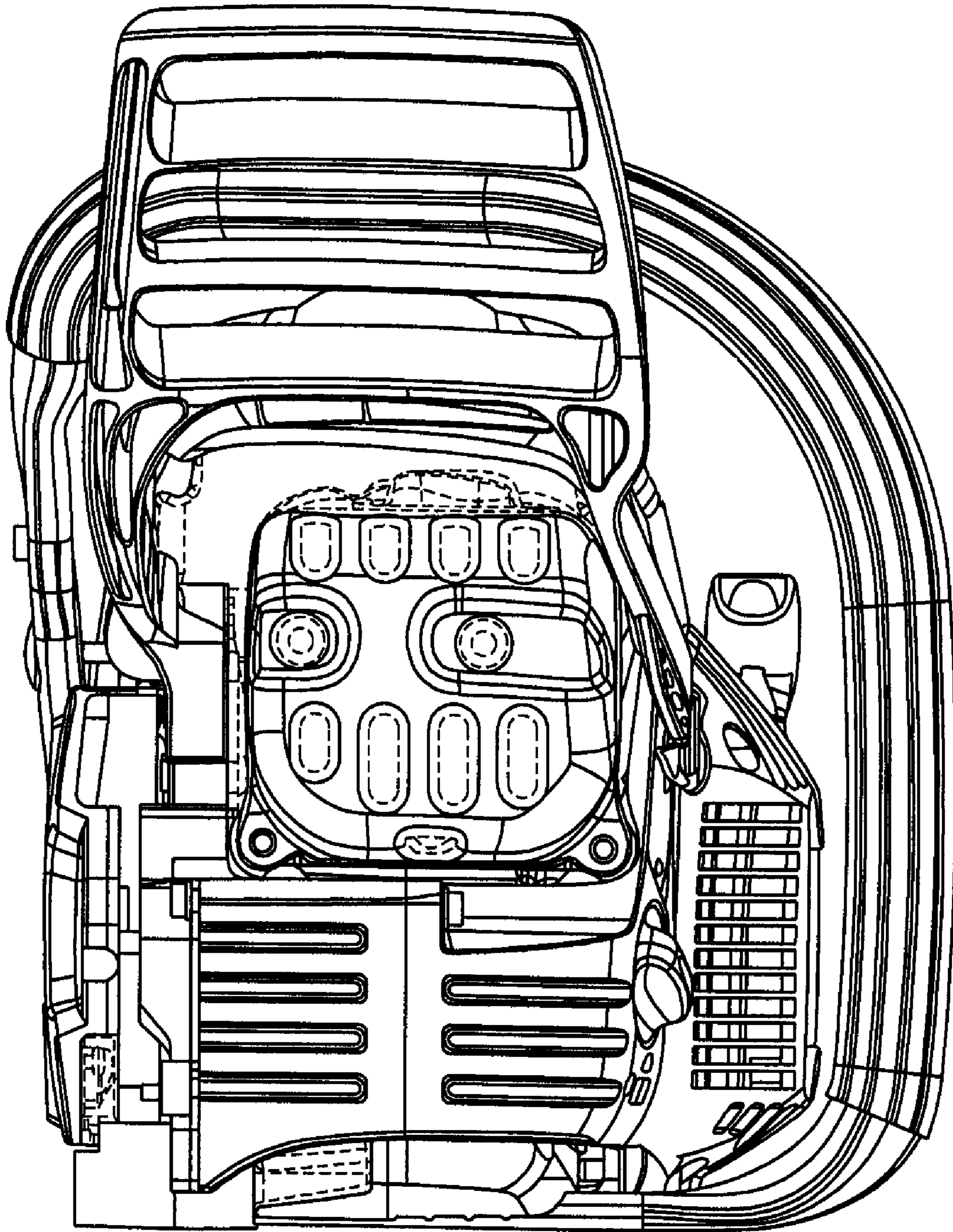


FIG. 3

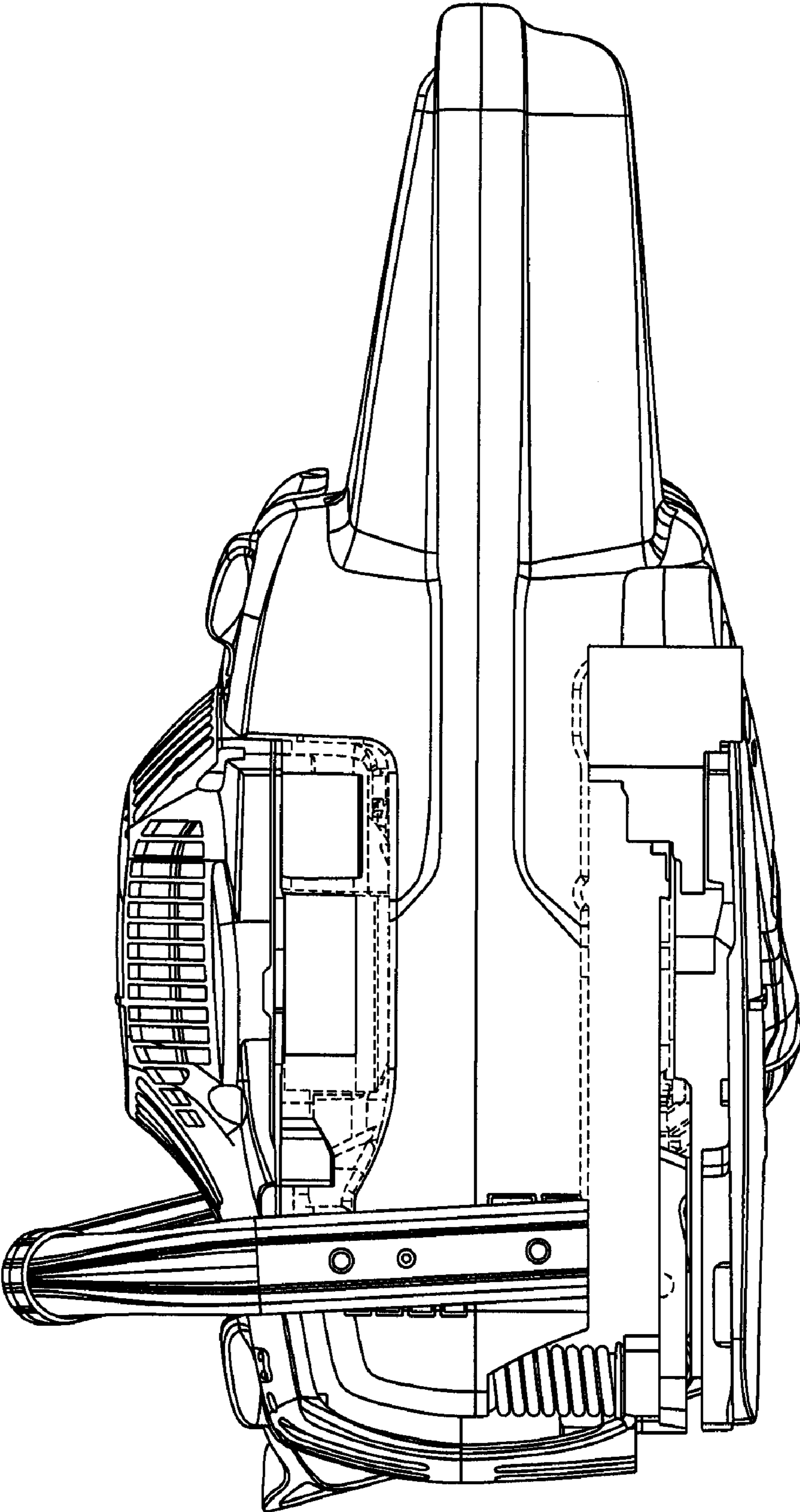


FIG. 4

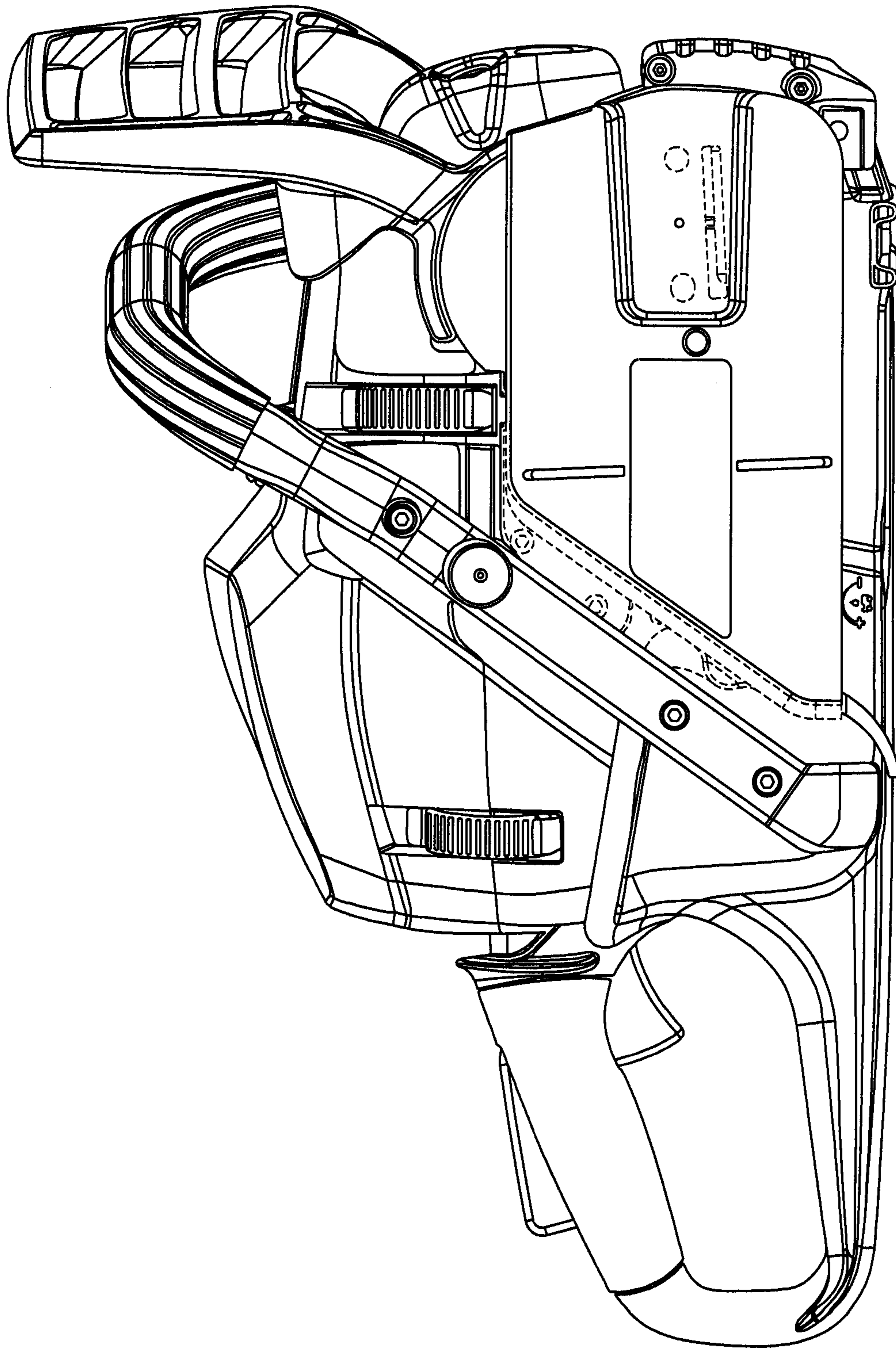


FIG. 5

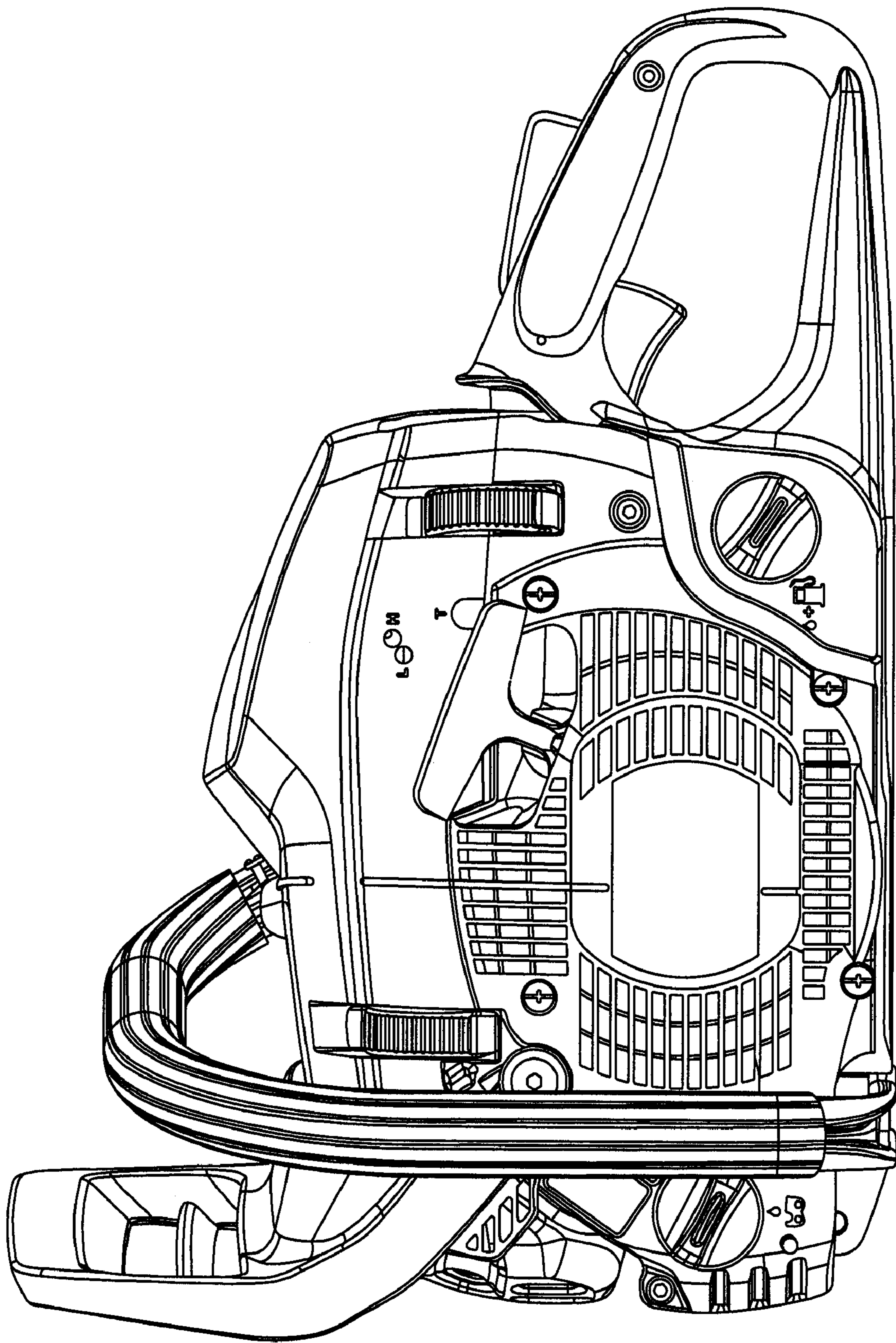


FIG. 6