



US00D558019S

(12) **United States Design Patent** (10) **Patent No.:** **US D558,019 S**
Granberg et al. (45) **Date of Patent:** **** Dec. 25, 2007**

(54) **CHAIN SAW**

(75) Inventors: **Ann Granberg**, Västra Frölunda (SE);
Hans P. Zachau, Göteborg (SE);
Kenneth Karlsson, Hyssna (SE);
Mattias Ossiansson, Huskvarna (SE)

(73) Assignee: **Husqvarna AB**, Huskvarna (SE)

(**) Term: **14 Years**

(21) Appl. No.: **29/277,852**

(22) Filed: **Mar. 12, 2007**

Related U.S. Application Data

(63) Continuation of application No. 29/208,851, filed on Jul. 7, 2004.

(51) **LOC (8) Cl.** **08-03**

(52) **U.S. Cl.** **D8/65**

(58) **Field of Classification Search** D8/7,
D8/8, 9, 68, 70, 65, 66, 67, 62, 63, 64, 61;
30/386, 383, 382, 371, 123; 125/21
See application file for complete search history.

(56) **References Cited**

U.S. PATENT DOCUMENTS

| | | | |
|---------------|---------|------------------|---------------|
| D176,963 S | 2/1956 | Mall | |
| D233,075 S | 10/1974 | Tuggle | |
| 4,534,005 A | 8/1985 | Nagashima et al. | |
| 4,602,656 A * | 7/1986 | Nagashima et al. | 137/590 |
| 4,630,372 A | 12/1986 | Nagashima | |
| 4,654,970 A | 4/1987 | Nagashima | |
| 4,662,071 A | 5/1987 | Hoppner et al. | |
| H000378 H | 12/1987 | Matsumoto | |
| 4,819,332 A | 4/1989 | Sugihara et al. | |
| D320,728 S | 10/1991 | Arvidsson | |
| 5,070,618 A | 12/1991 | Edlund | |
| D348,192 S * | 6/1994 | Griffin | D8/65 |
| D361,251 S | 8/1995 | Griffin | |

| | | | |
|-----------------|---------|-------------------|-------------|
| D364,326 S | 11/1995 | Lohse et al. | |
| 5,485,814 A | 1/1996 | Tuggle et al. | |
| D377,441 S * | 1/1997 | Hoppner et al. | D8/65 |
| D381,249 S * | 7/1997 | Hubbe | D8/65 |
| 5,666,734 A | 9/1997 | Morrison | |
| D386,958 S | 12/1997 | Karlsson et al. | |
| D412,652 S | 8/1999 | Durr et al. | |
| 5,992,025 A | 11/1999 | Fricke | |
| 6,016,604 A | 1/2000 | Wolf et al. | |
| 6,637,117 B2 | 10/2003 | Kobayashi | |
| 6,842,987 B1 | 1/2005 | Martinsson et al. | |
| 6,944,957 B2 | 9/2005 | Donnerdal et al. | |
| 2002/0073558 A1 | 6/2002 | Tajima et al. | |
| 2003/0051351 A1 | 3/2003 | Buchholtz et al. | |
| 2004/0016133 A1 | 1/2004 | Gorenflo et al. | |
| 2004/0103857 A1 | 6/2004 | Kruse | |

* cited by examiner

Primary Examiner—Cathron C. Brooks

Assistant Examiner—Austin Murphy

(74) *Attorney, Agent, or Firm*—Pearne & Gordon LLP

(57) **CLAIM**

The ornamental design for a chain saw, as shown and described.

DESCRIPTION

FIG. 1 is a perspective view of my new design for a chain saw;

FIG. 2 is a rear view thereof;

FIG. 3 is a front view of FIG. 1;

FIG. 4 is a right side view of FIG. 1;

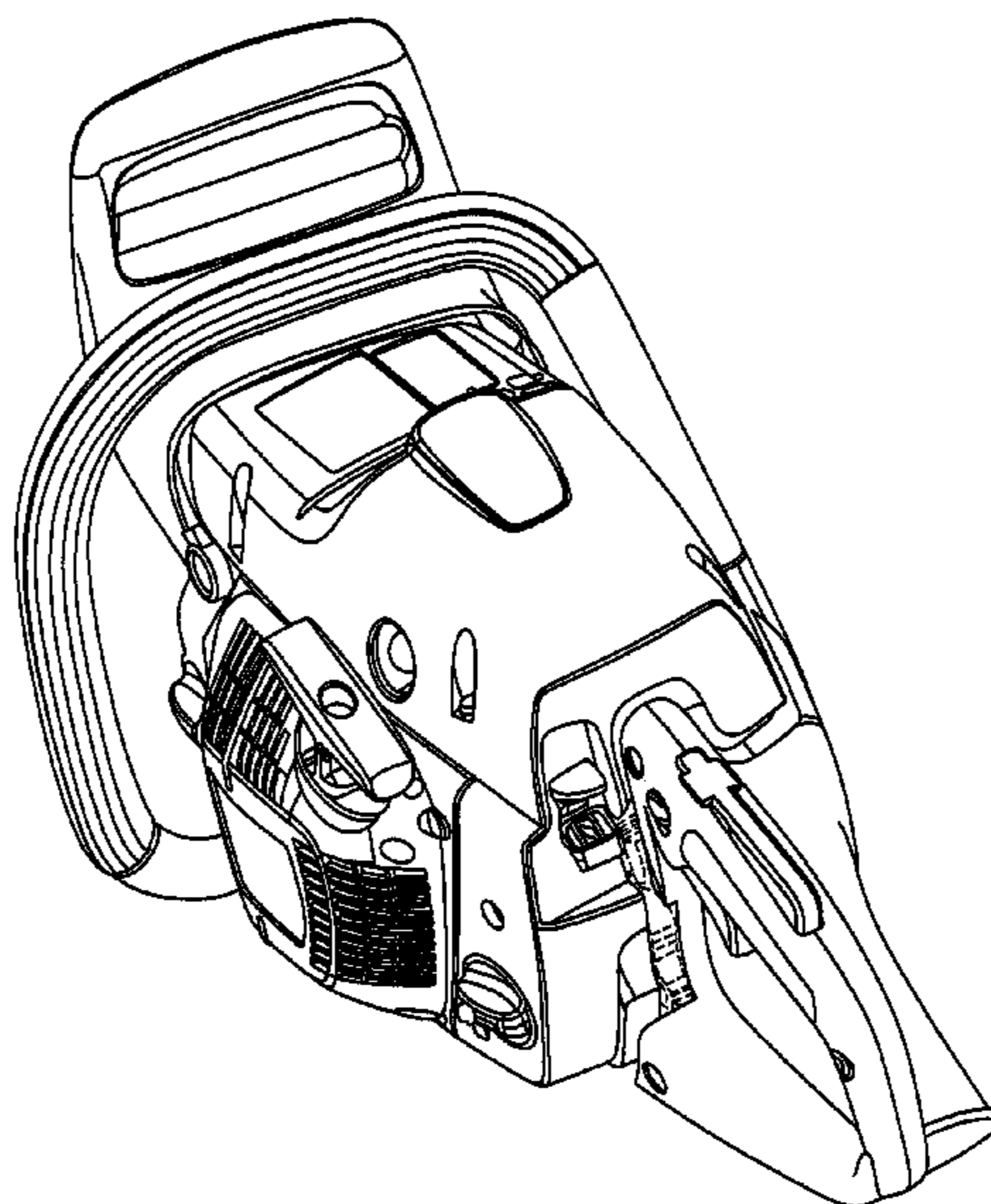
FIG. 5 is a left side view of FIG. 1;

FIG. 6 is a top view of FIG. 1; and,

FIG. 7 is a bottom view of FIG. 1.

The broken lines shown in the drawings form no part of the claimed design.

1 Claim, 7 Drawing Sheets



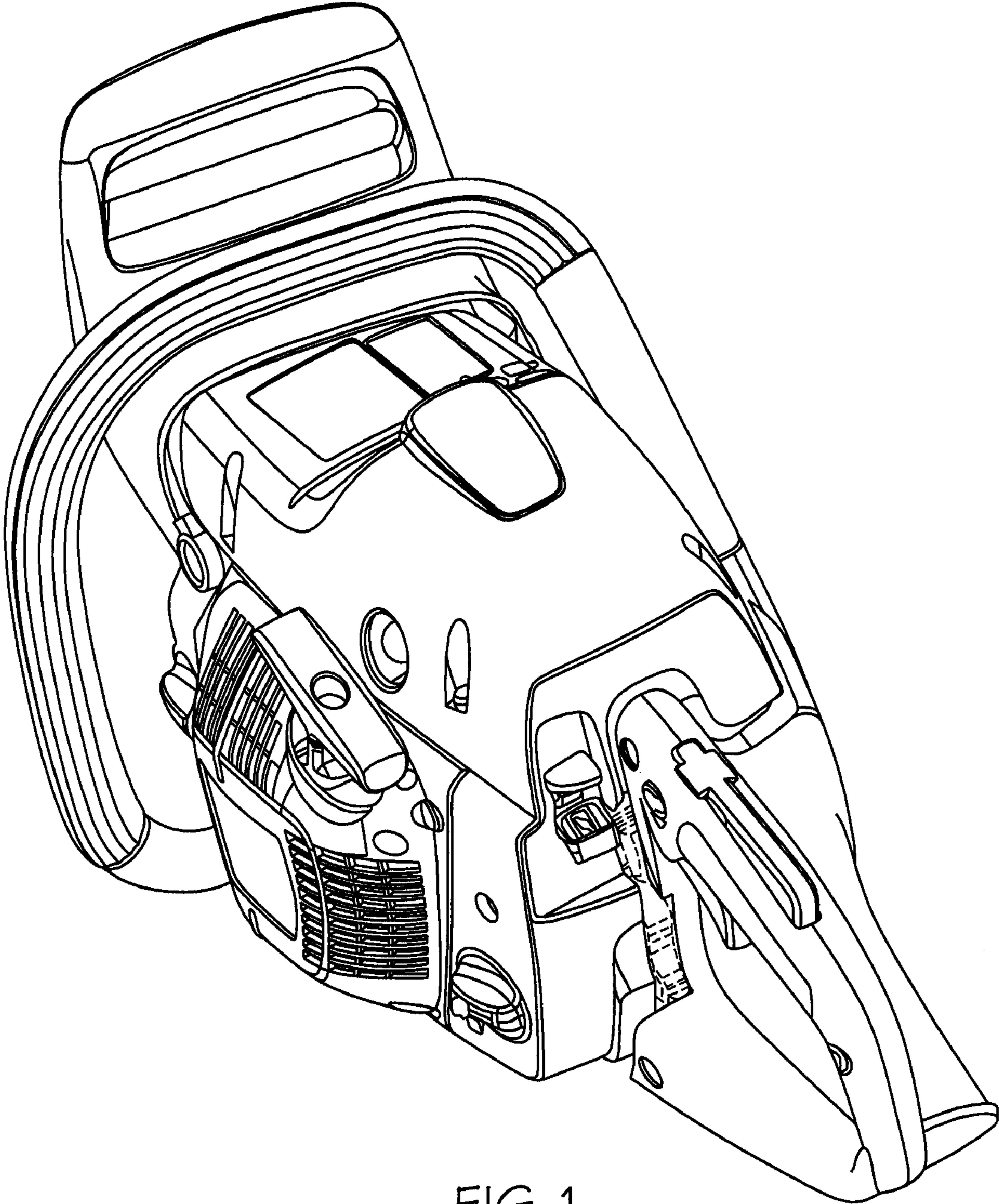


FIG. 1

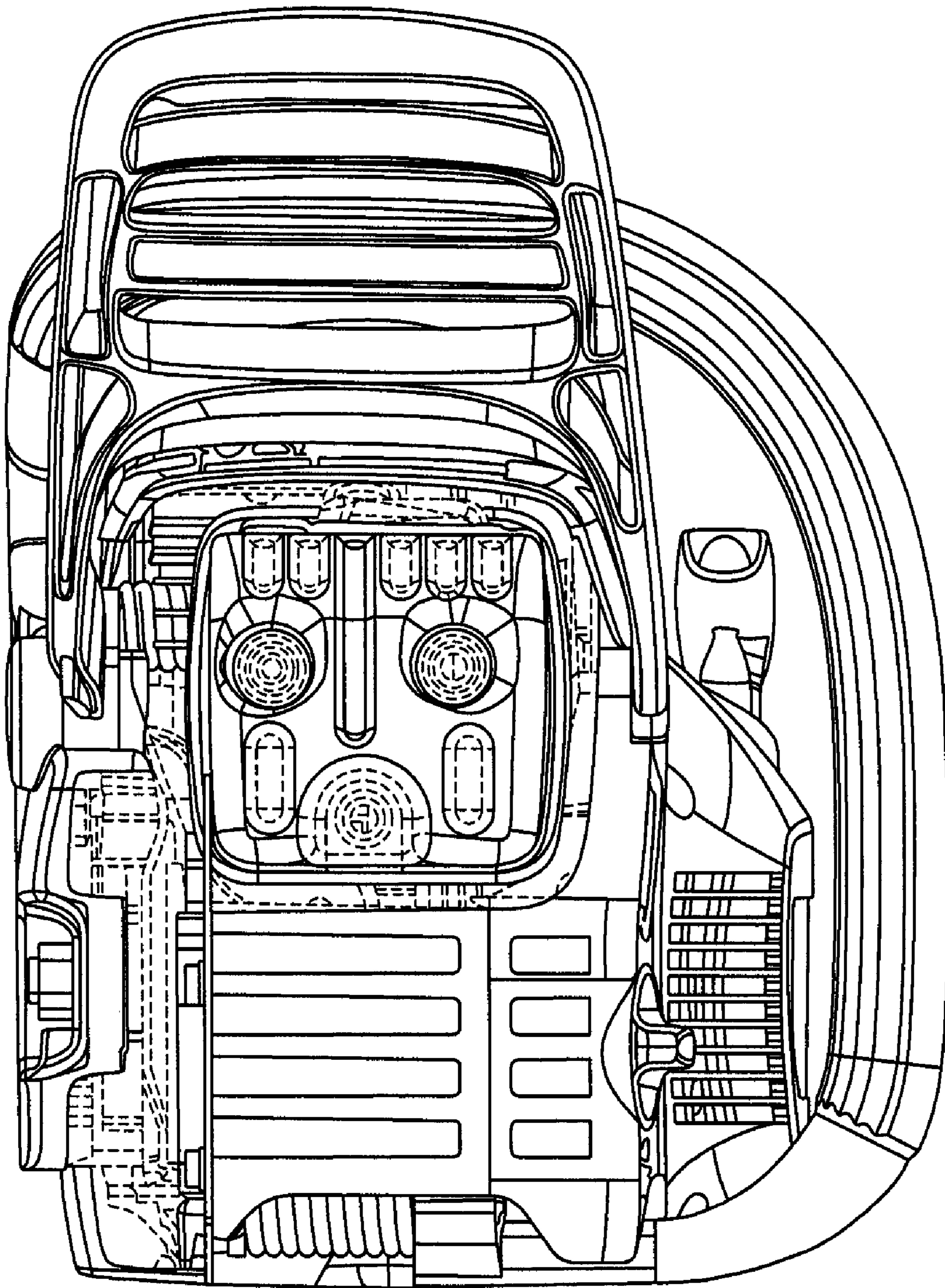


FIG. 2

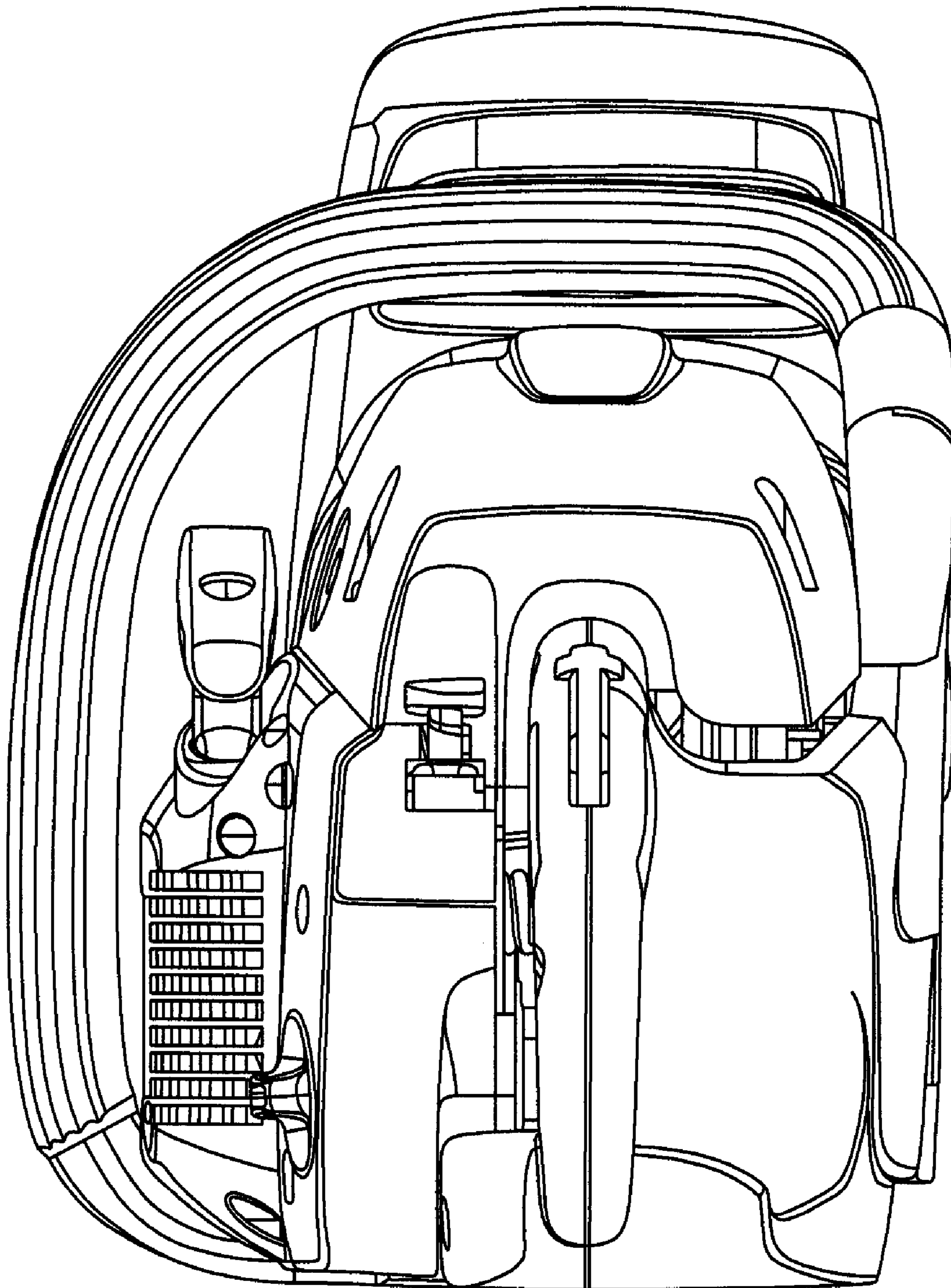


FIG. 3

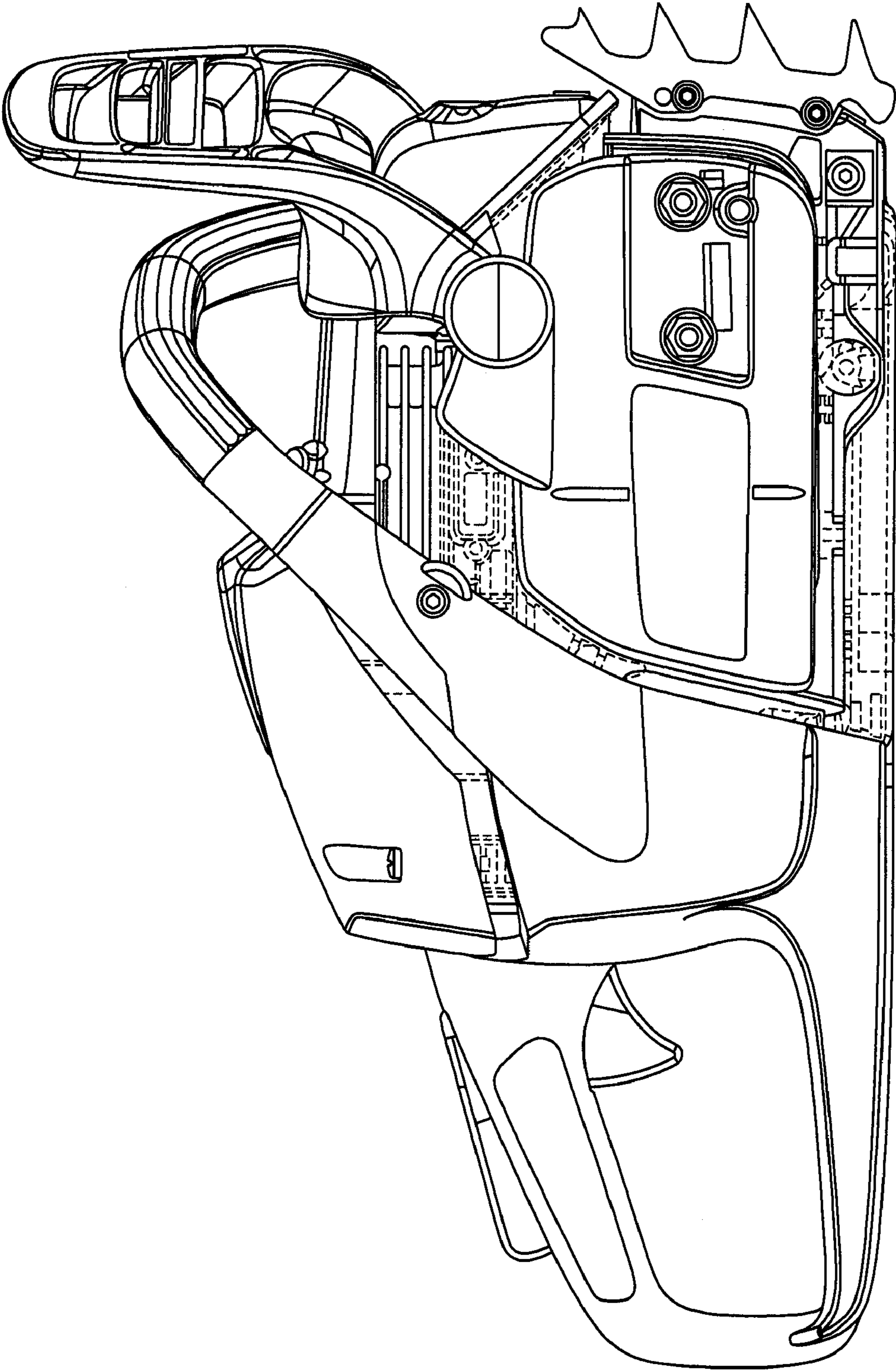


FIG. 4

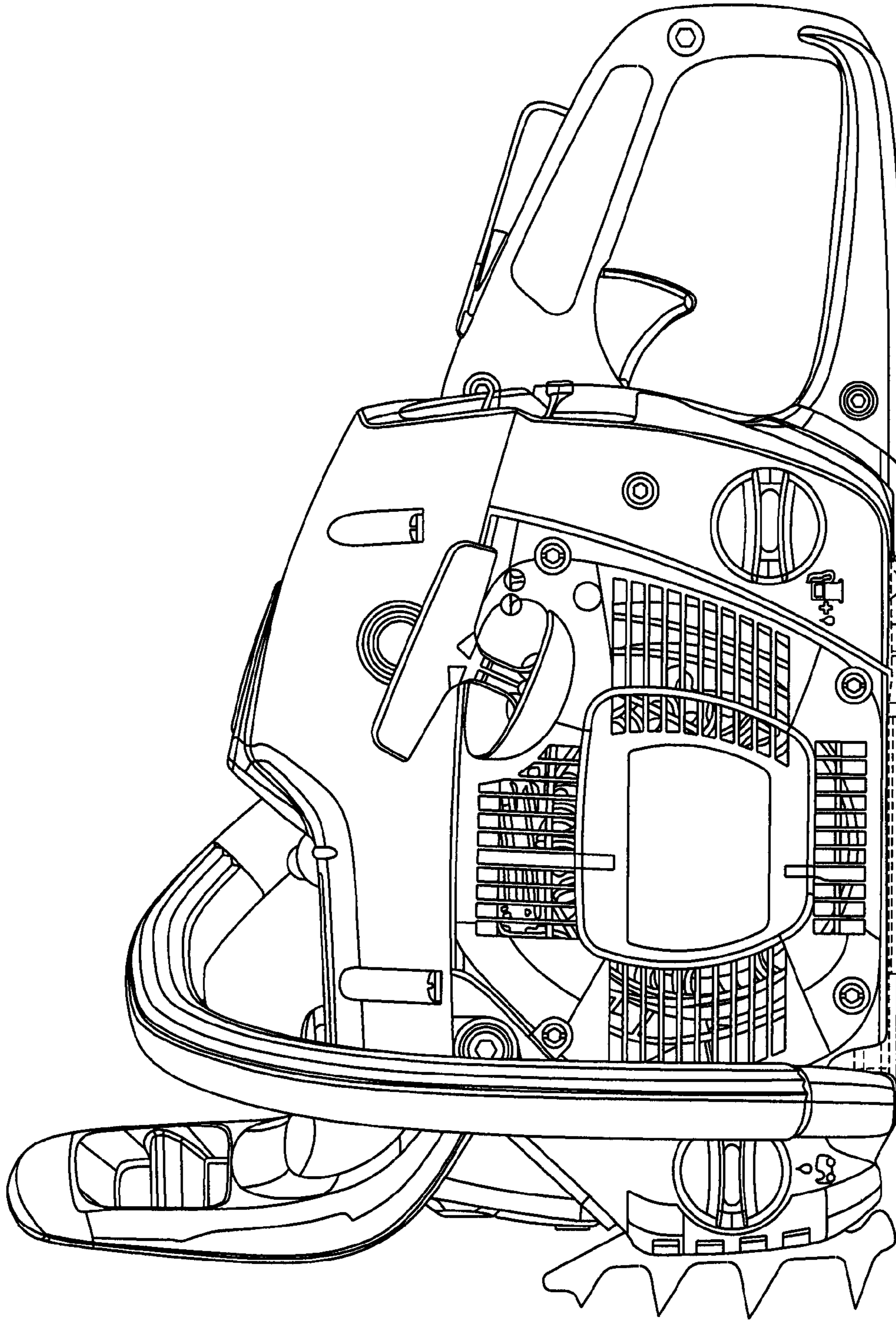


FIG. 5

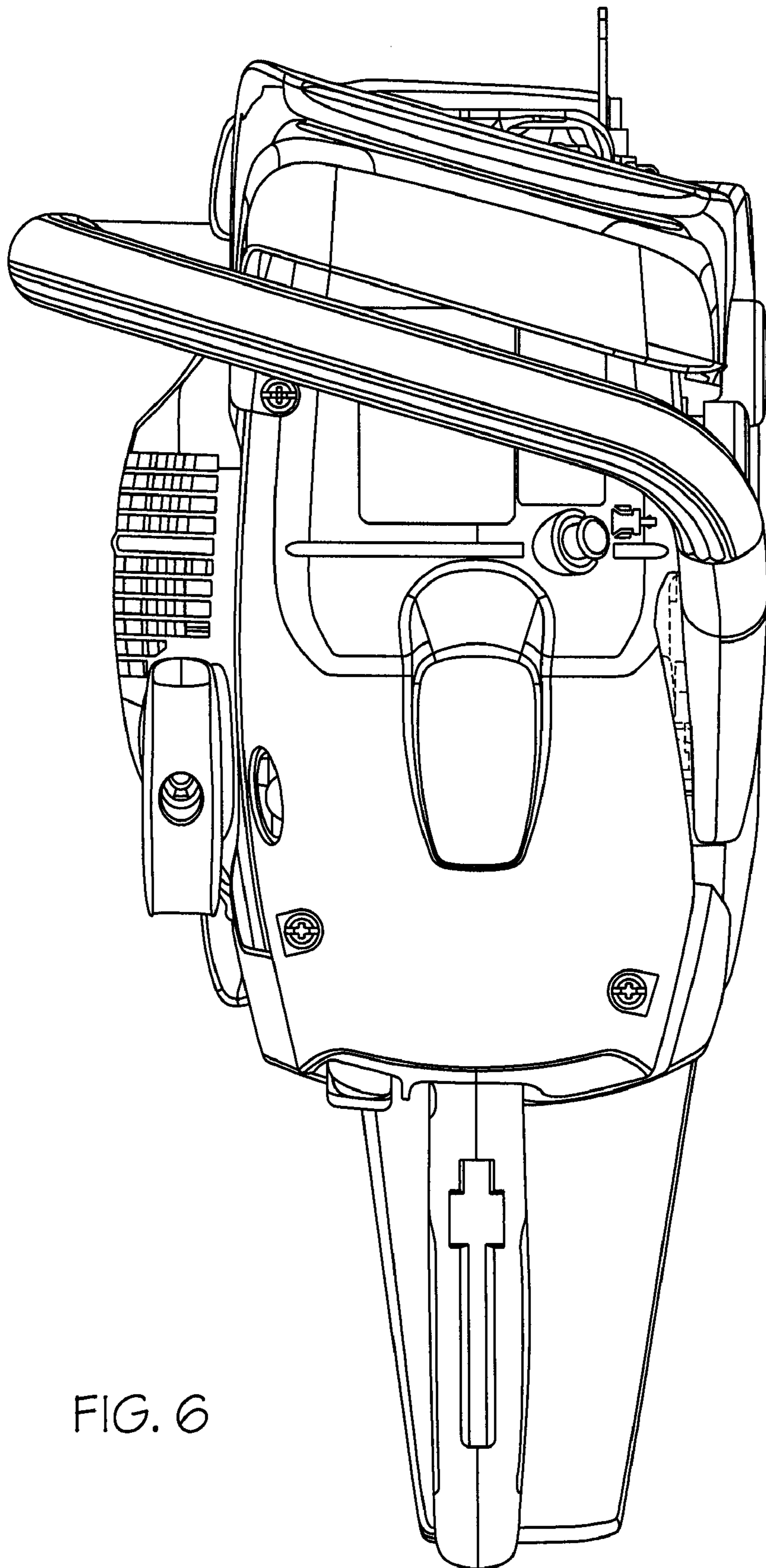


FIG. 6

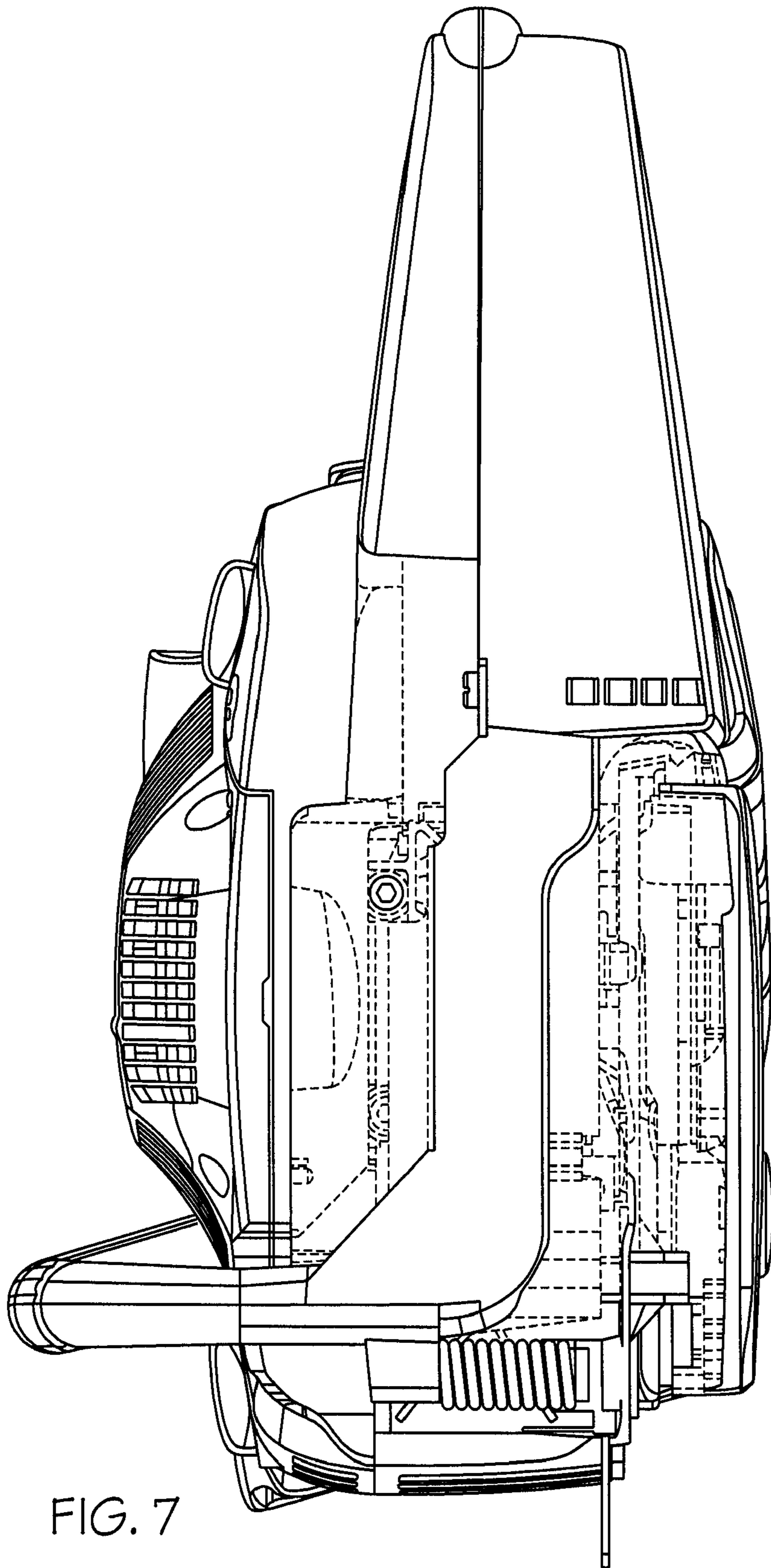


FIG. 7