



US00D558017S

(12) **United States Design Patent**
Cooper et al.

(10) **Patent No.:** **US D558,017 S**

(45) **Date of Patent:** **** Dec. 25, 2007**

(54) **SANDER**

(75) Inventors: **Betty L. Cooper**, Atwood, TN (US);
Ginger L. Allen, Medina, TN (US);
Gregory K. Griffin, Humboldt, TN
(US); **Chad Hanson**, Jackson, TN
(US); **Mark A. Etter**, Independence,
MO (US)

(73) Assignee: **Black & Decker Inc.**, Newark, DE
(US)

(**) Term: **14 Years**

(21) Appl. No.: **29/272,732**

(22) Filed: **Feb. 15, 2007**

Related U.S. Application Data

(63) Continuation of application No. 29/253,568, filed on
Feb. 8, 2006, now Pat. No. Des. 536,942.

(51) **LOC (8) Cl.** **08-01**

(52) **U.S. Cl.** **D8/62**

(58) **Field of Classification Search** D8/67,
D8/62, 61; D32/15, 17, 19; D4/102; 451/456,
451/451, 359, 358, 357, 356, 355, 354, 353,
451/351, 344

See application file for complete search history.

(56) **References Cited**

U.S. PATENT DOCUMENTS

2,767,527 A	10/1956	Tocci-Guilbert	
2,885,833 A	5/1959	Neff	
3,936,099 A	2/1976	Braun et al.	
D286,736 S	11/1986	Somers	
D310,007 S *	8/1990	Saito et al.	D8/62
D317,244 S	6/1991	Bunyea	
D323,963 S	2/1992	Bunyea	
D326,398 S	5/1992	Fushiya et al.	
D329,362 S	9/1992	Saito et al.	
D332,734 S	1/1993	Fushiya et al.	
5,206,967 A	5/1993	Fushiya et al.	
D345,089 S	3/1994	Kikuchi et al.	

D352,437 S	11/1994	Chunn et al.
5,384,984 A	1/1995	Smith
5,419,737 A	5/1995	Brazell et al.
D376,304 S	12/1996	Clowers
D380,950 S	7/1997	Gildersleeve et al.
D386,376 S	11/1997	Kaneko et al.
D392,861 S	3/1998	Gildersleeve et al.
D408,245 S	4/1999	Evans et al.
5,941,765 A	8/1999	Taylor
D448,262 S	9/2001	Heun
6,394,884 B1	5/2002	Wuensch
D468,178 S	1/2003	Wright et al.
D468,608 S	1/2003	Wacker et al.
D469,933 S	2/2003	Liang-Ming
D476,543 S	7/2003	Wu
D478,488 S	8/2003	Bruno et al.
D488,365 S	4/2004	Liu
6,726,553 B2	4/2004	Tiede et al.
6,758,731 B2	7/2004	Dutterer et al.

(Continued)

Primary Examiner—Cathron C. Brooks

Assistant Examiner—Austin Murphy

(74) *Attorney, Agent, or Firm*—Joseph F. Key

(57) **CLAIM**

The ornamental design for a sander, as shown and described.

DESCRIPTION

FIG. 1 is a perspective view of a sander.

FIG. 2 is a front view thereof.

FIG. 3 is a rear view thereof.

FIG. 4 is a right side view thereof.

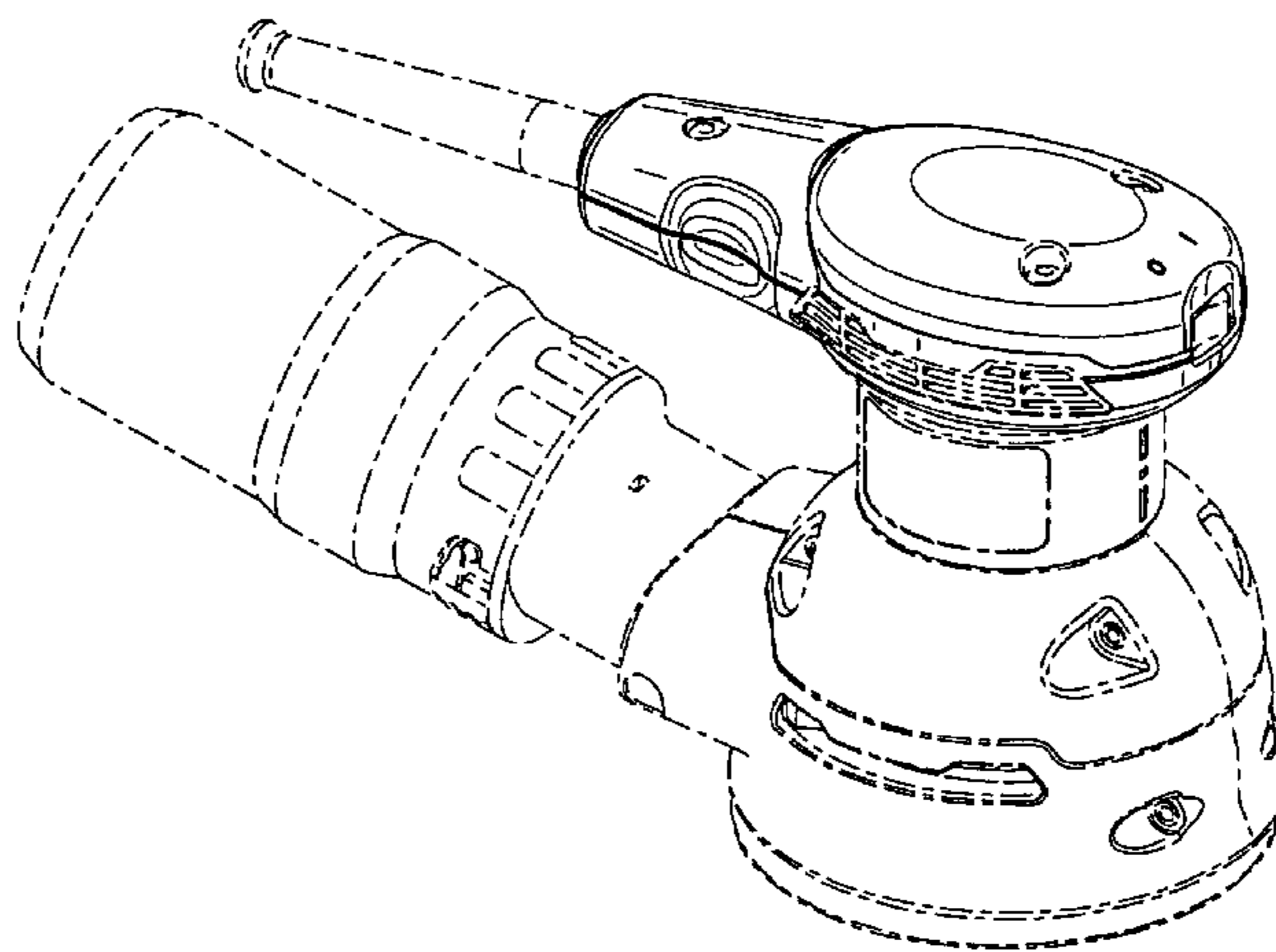
FIG. 5 is a left side view thereof.

FIG. 6 is top view thereof; and,

FIG. 7 is a bottom view thereof.

Any broken lines in the drawings are for illustrative purposes only and form no part of the claimed design.

1 Claim, 6 Drawing Sheets



US D558,017 S

Page 2

U.S. PATENT DOCUMENTS

D497,090 S	10/2004	Wacker et al.		D526,871 S *	8/2006	Andriolo	D8/62
D497,297 S	10/2004	Wacker et al.		D527,594 S *	9/2006	Wikle	D8/62
D498,399 S	11/2004	Wu		D527,595 S *	9/2006	Wikle	D8/62
D503,600 S	4/2005	Bian		D528,386 S *	9/2006	Wu	D8/62
6,890,247 B2	5/2005	Dehde		D528,886 S *	9/2006	Heun	D8/62
D507,731 S	7/2005	Robson		D536,942 S *	2/2007	Cooper et al.	D8/62
D507,948 S *	8/2005	Boehler	D8/62	D538,122 S *	3/2007	Etter et al.	D8/62
D509,417 S	9/2005	Wikle et al.		7,198,559 B2 *	4/2007	Walstrum et al.	451/270
D509,722 S	9/2005	Wikle et al.		2002/0031992 A1 *	3/2002	Clowers et al.	451/357
D510,849 S	10/2005	Carlson et al.		2002/0037691 A1	3/2002	Mayr et al.	
D511,953 S *	11/2005	Janson	D8/62	2003/0032381 A1	2/2003	Dutterer et al.	
D526,870 S *	8/2006	Wikle	D8/62	2005/0003748 A1	1/2005	Dutterer et al.	

* cited by examiner

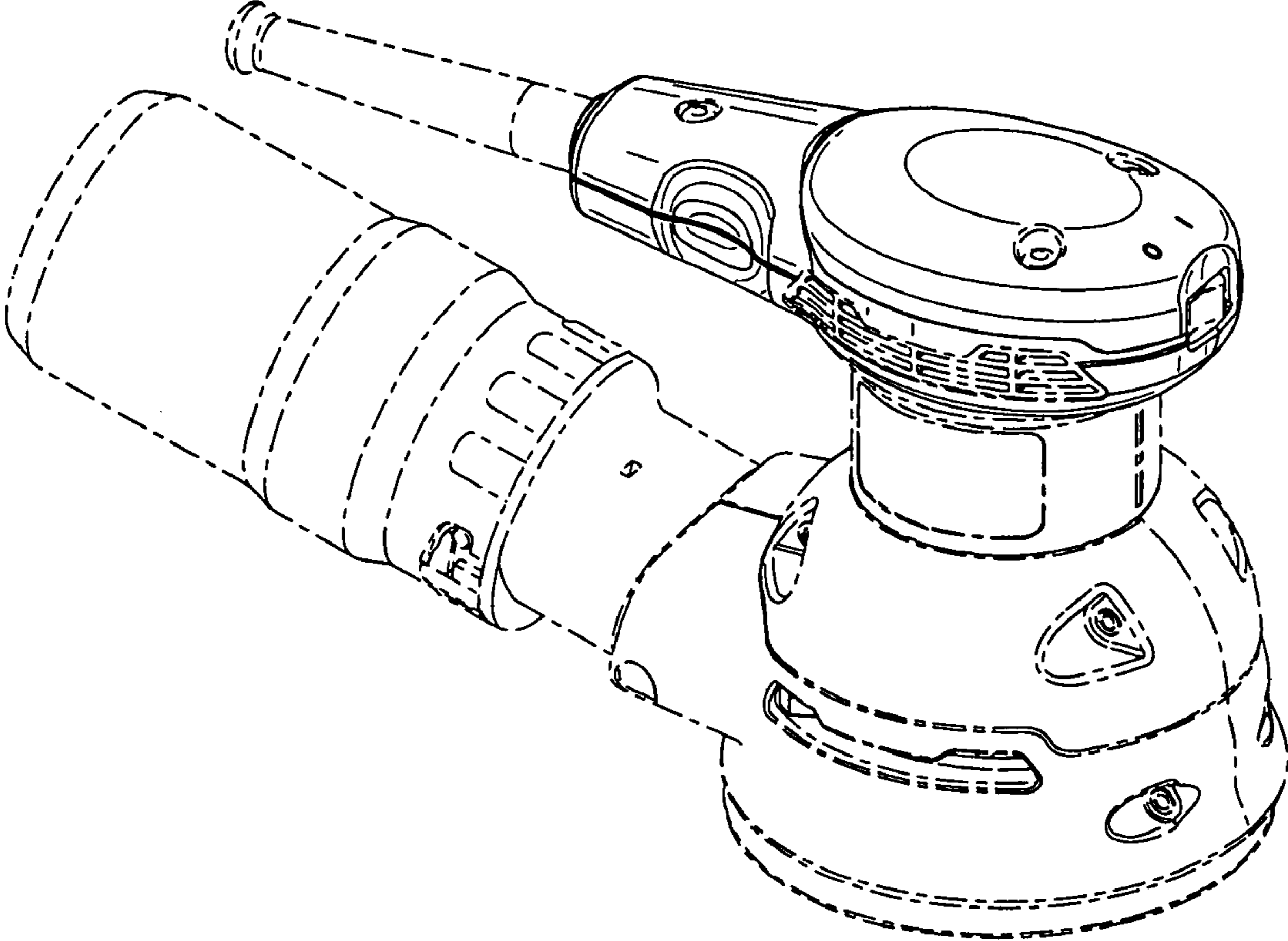


FIG. 1

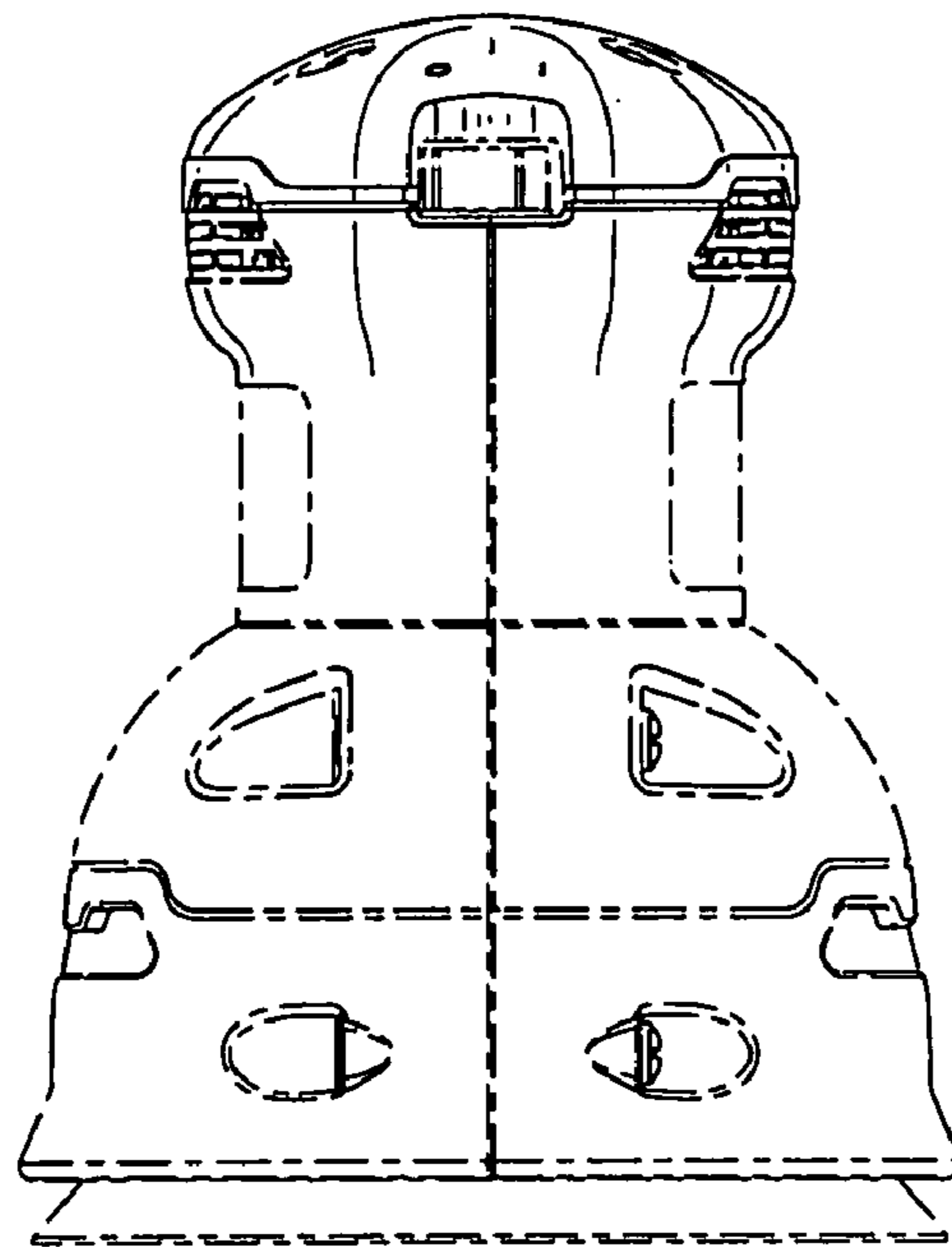


FIG. 2

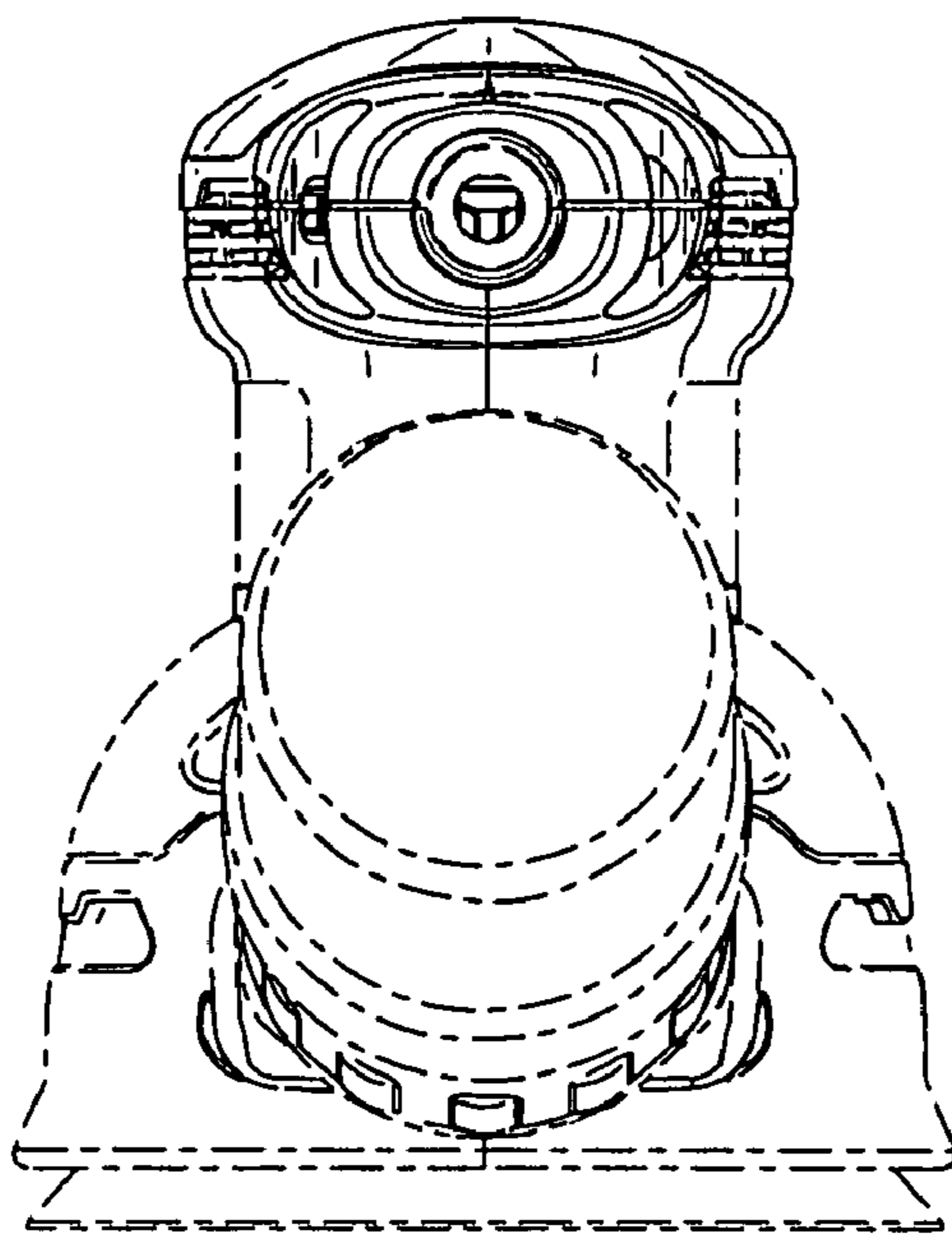


FIG. 3

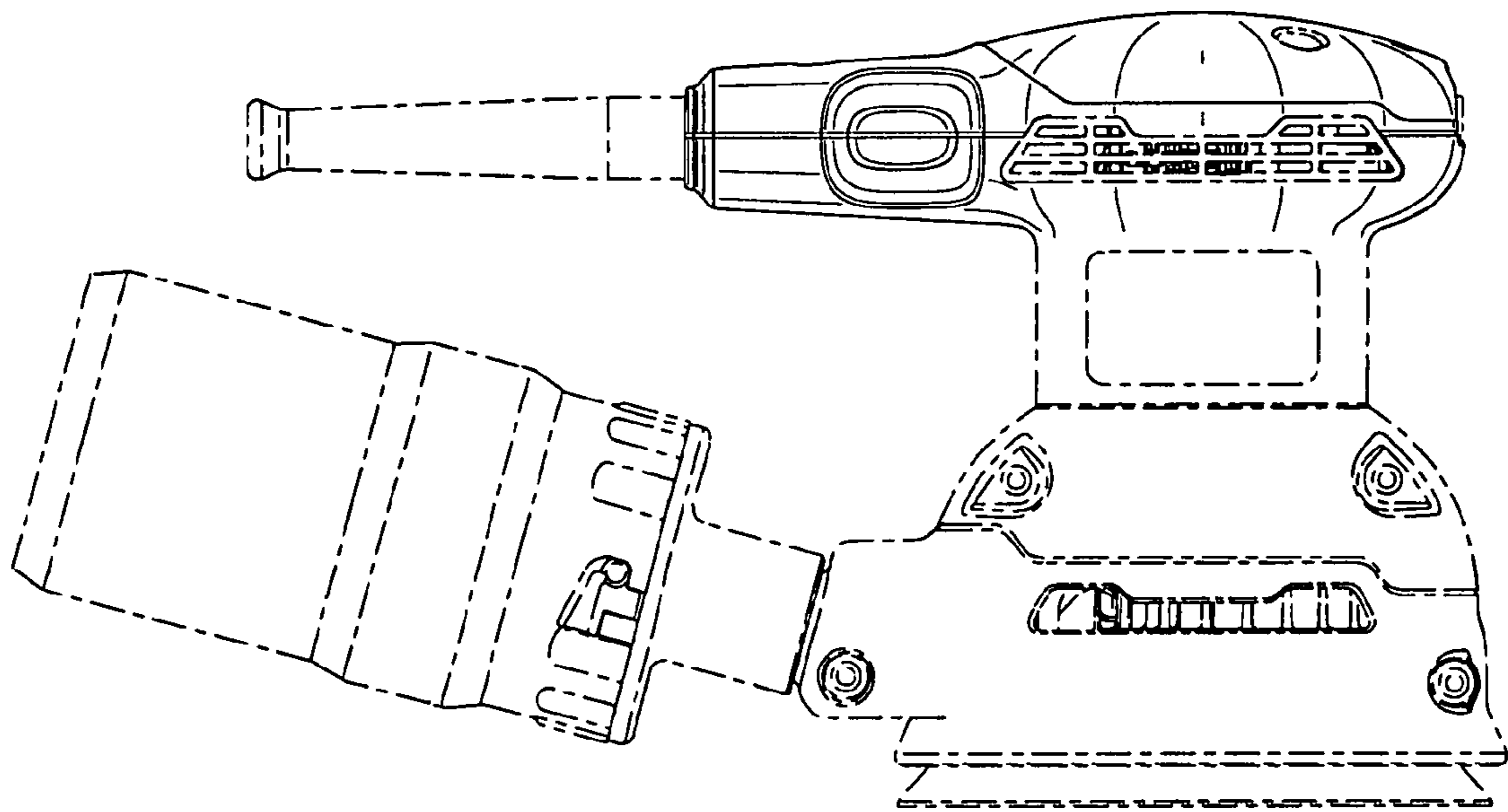


FIG. 4

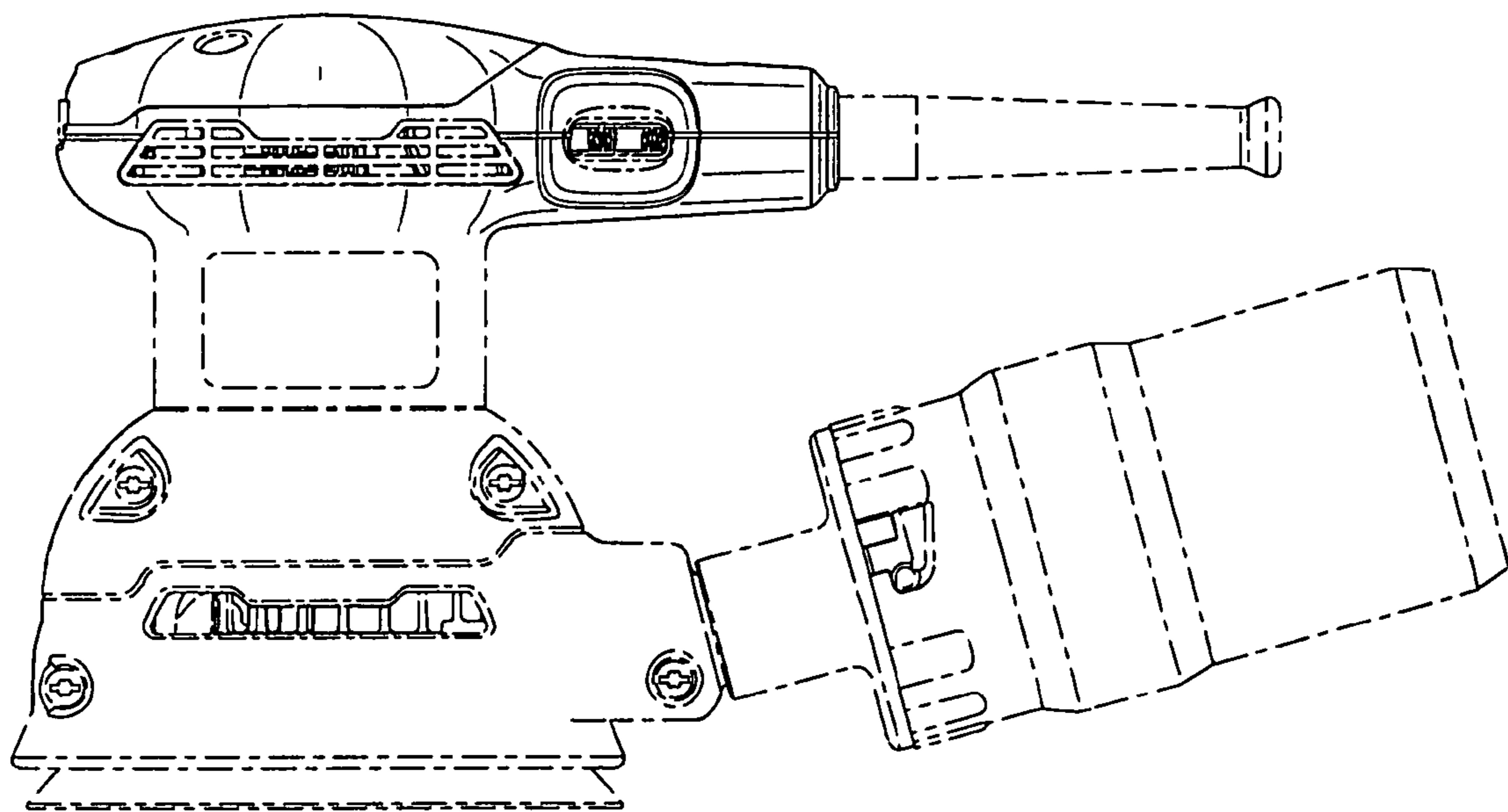


FIG. 5

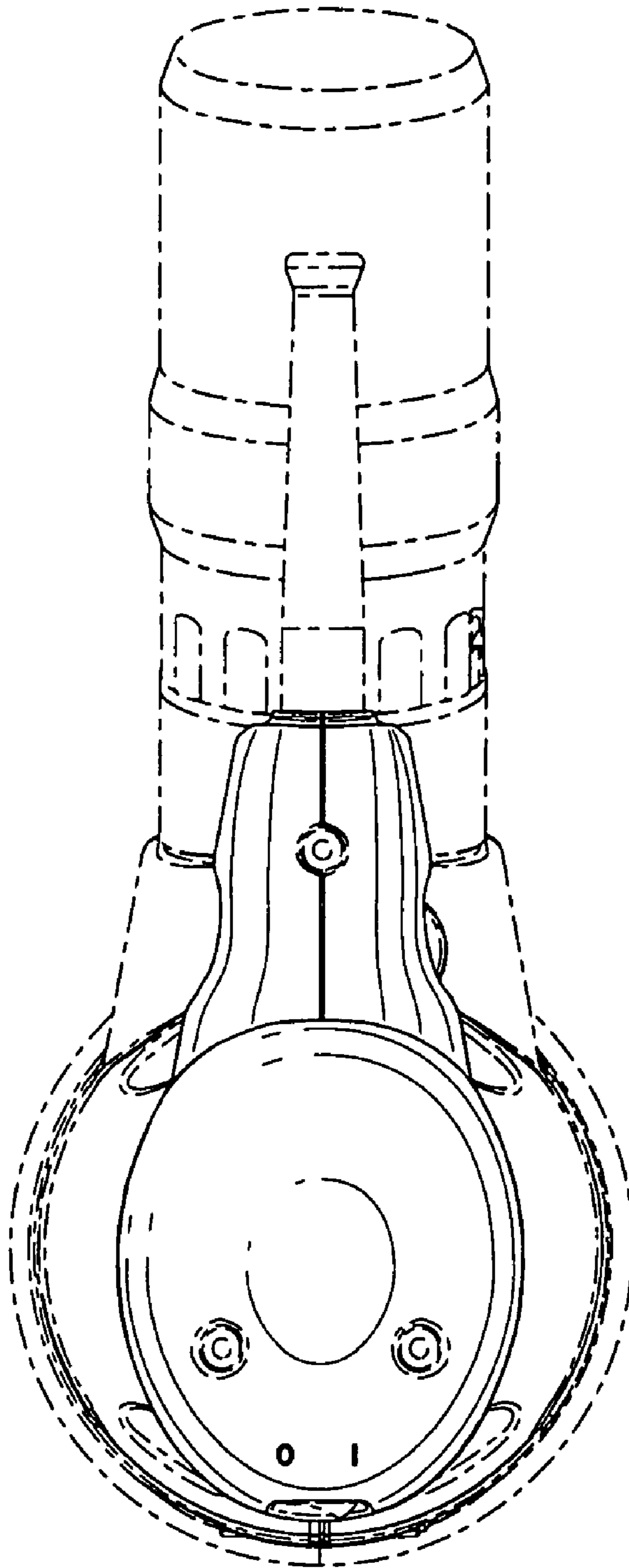


FIG. 6

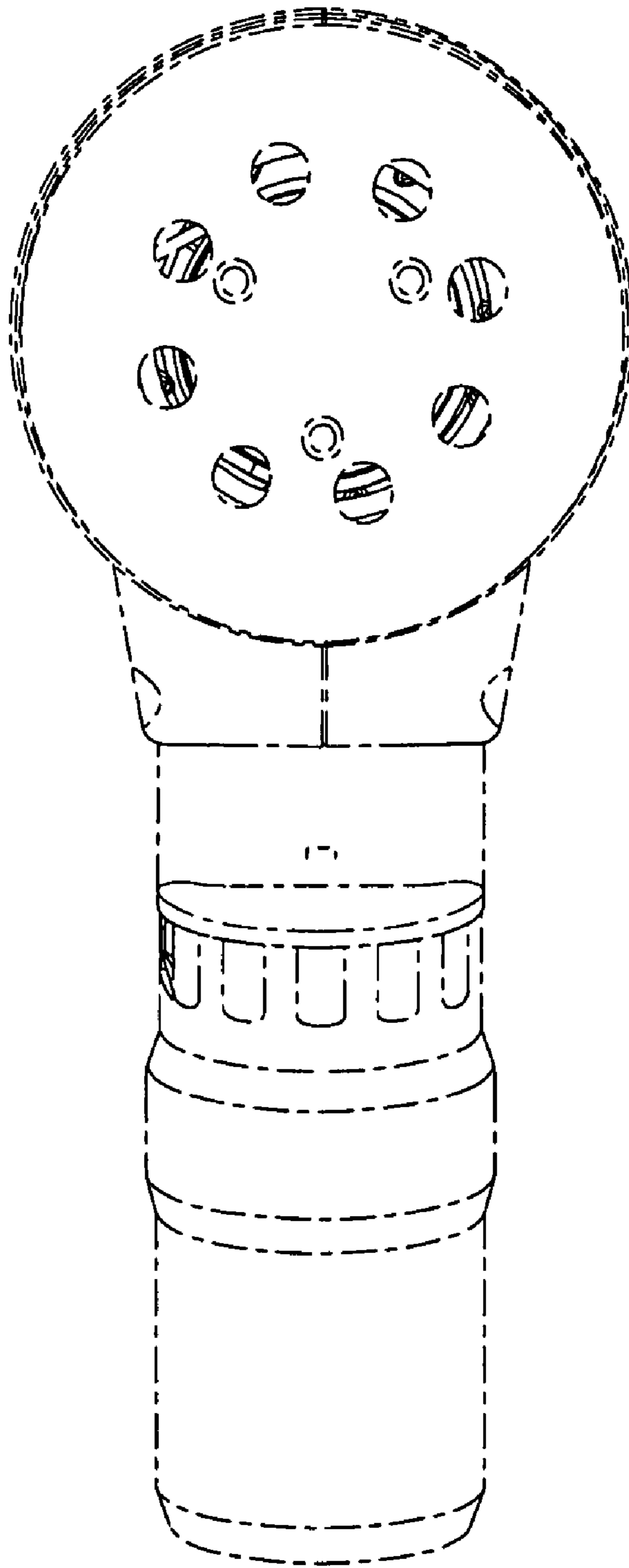


FIG. 7