



US00D558012S

(12) **United States Design Patent**
Balma

(10) **Patent No.:** **US D558,012 S**

(45) **Date of Patent:** **** Dec. 25, 2007**

(54) **STAPLER**

(75) Inventor: **Giorgio Balma**, Voghera (IT)

(73) Assignee: **Balma, Capoduri & C. S.p.A.**,
Voghera, Pavia (IT)

(**) Term: **14 Years**

(21) Appl. No.: **29/288,049**

(22) Filed: **May 29, 2007**

(51) **LOC (8) Cl.** **08-01**

(52) **U.S. Cl.** **D8/50**

(58) **Field of Classification Search** D8/49,
D8/50, 61; D19/72; 227/120, 127, 128,
227/131, 132, 134, 156

See application file for complete search history.

(56) **References Cited**

U.S. PATENT DOCUMENTS

2,089,572	A *	8/1937	Polzer	227/110
2,461,165	A *	2/1949	Lindstrom	227/127
D278,656	S *	4/1985	Green et al.	D24/145
4,984,729	A *	1/1991	Balma	227/128
D318,407	S *	7/1991	Williams	D8/50
5,335,838	A *	8/1994	Harris et al.	227/132
5,364,000	A *	11/1994	Fealey	227/124

D392,858	S *	3/1998	Jacquet	D8/50
D437,755	S *	2/2001	Robillard	D8/50
D513,159	S *	12/2005	Marks et al.	D8/50
D514,906	S *	2/2006	Marks et al.	D8/50
D542,613	S *	5/2007	Marks	D8/50

* cited by examiner

Primary Examiner—Cathron C. Brooks

Assistant Examiner—Austin Murphy

(74) *Attorney, Agent, or Firm*—Hedman & Costigan P.C.;
James V. Costigan

(57) **CLAIM**

The ornamental design for a stapler, as shown and described.

DESCRIPTION

FIG. 1 is a front perspective view of the invention;

FIG. 2 is a left side view of the invention;

FIG. 3 is a right side view of the invention;

FIG. 4 is a top view of the invention;

FIG. 5 is a bottom view of the invention;

FIG. 6 is a front view of the invention; and,

FIG. 7 is a back view of the invention.

1 Claim, 7 Drawing Sheets

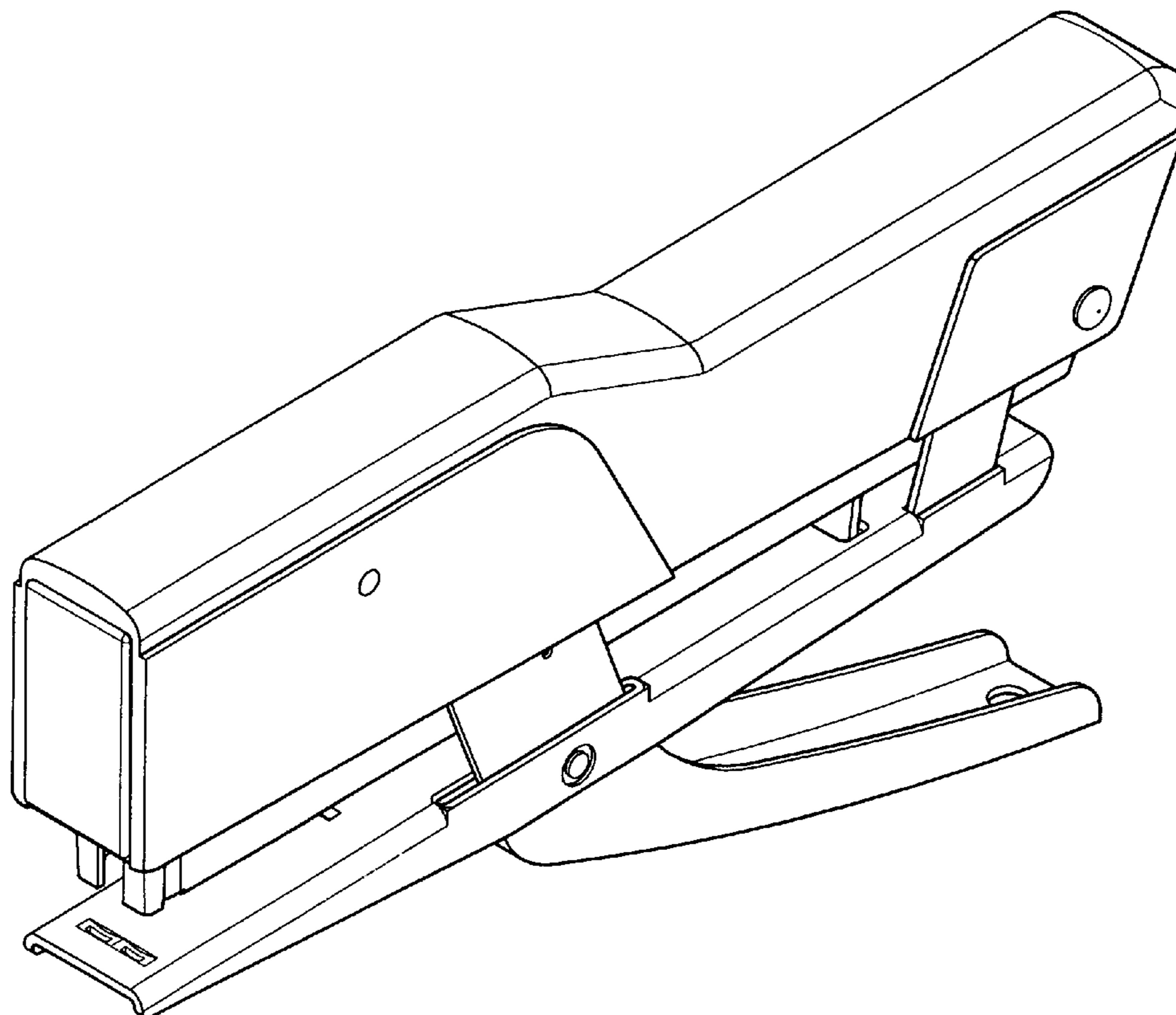
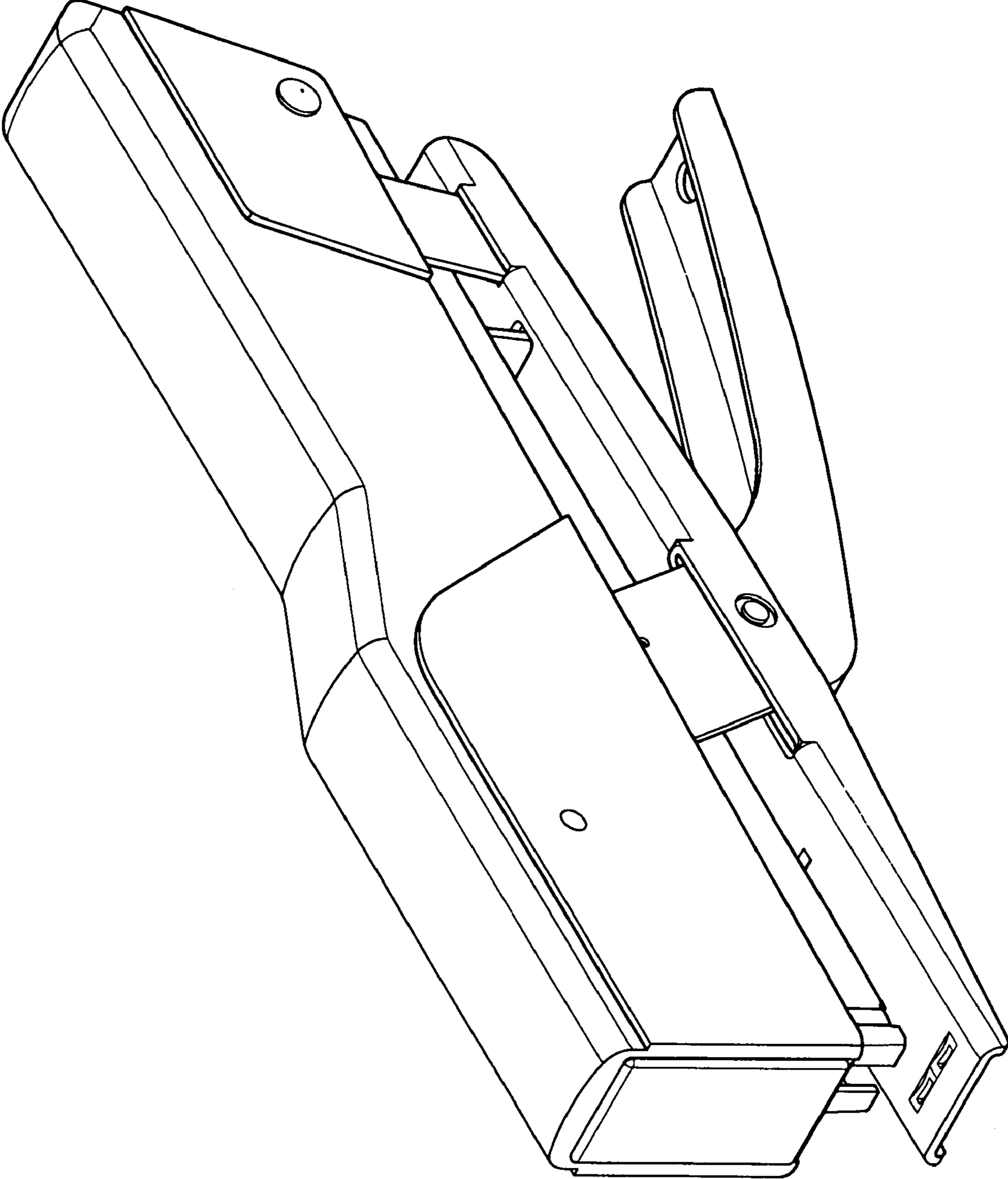


FIG. 1



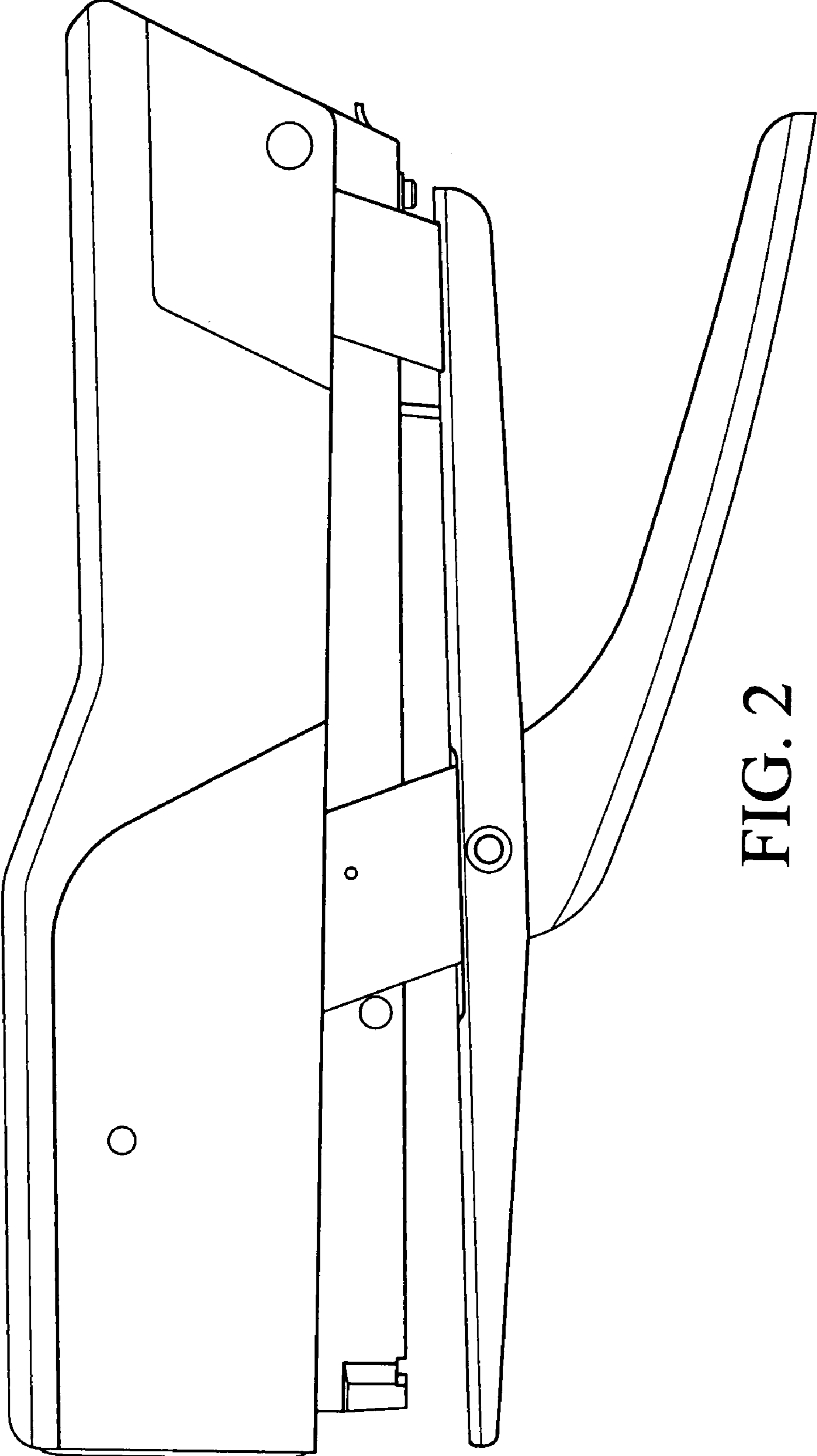


FIG. 2

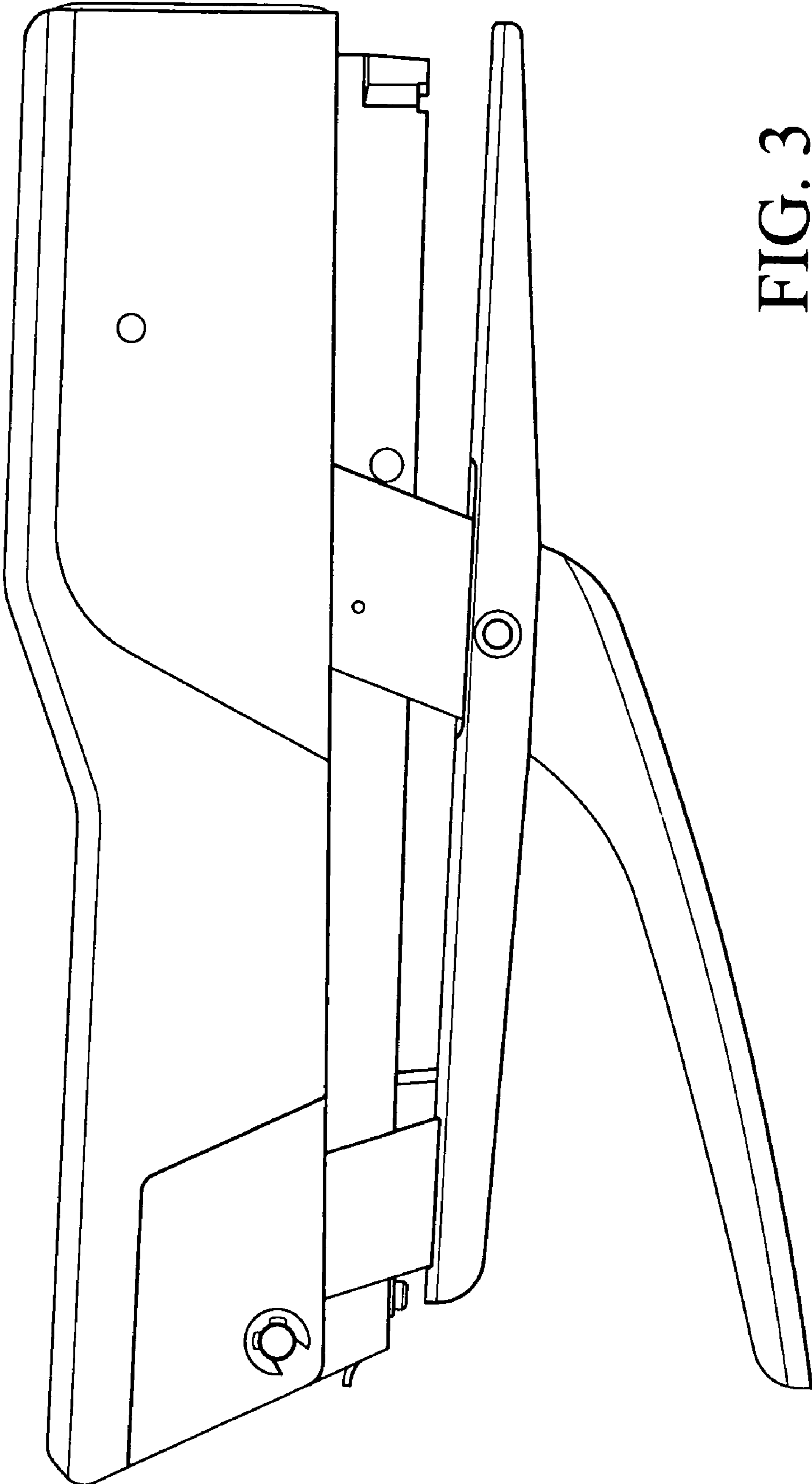


FIG. 3

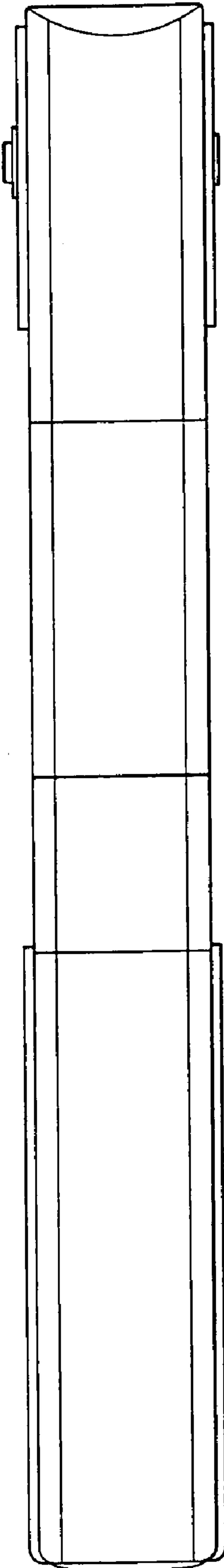


FIG. 4

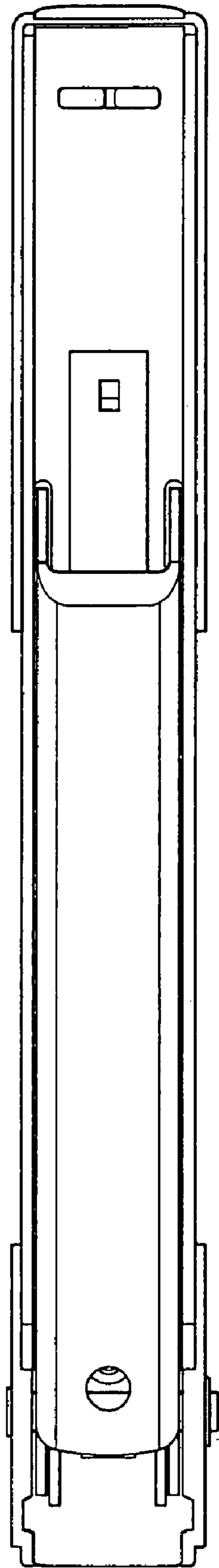


FIG. 5

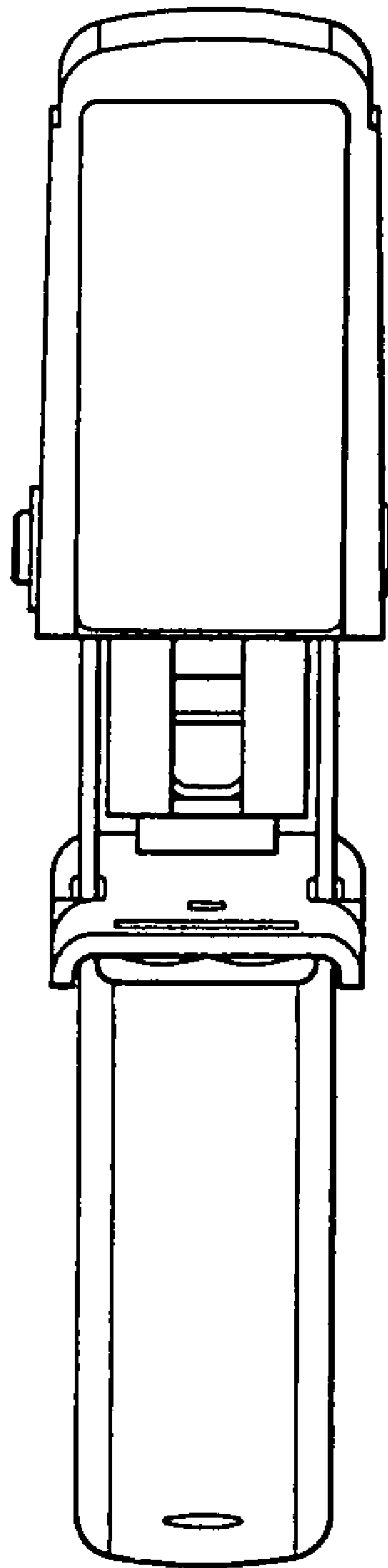


FIG. 6

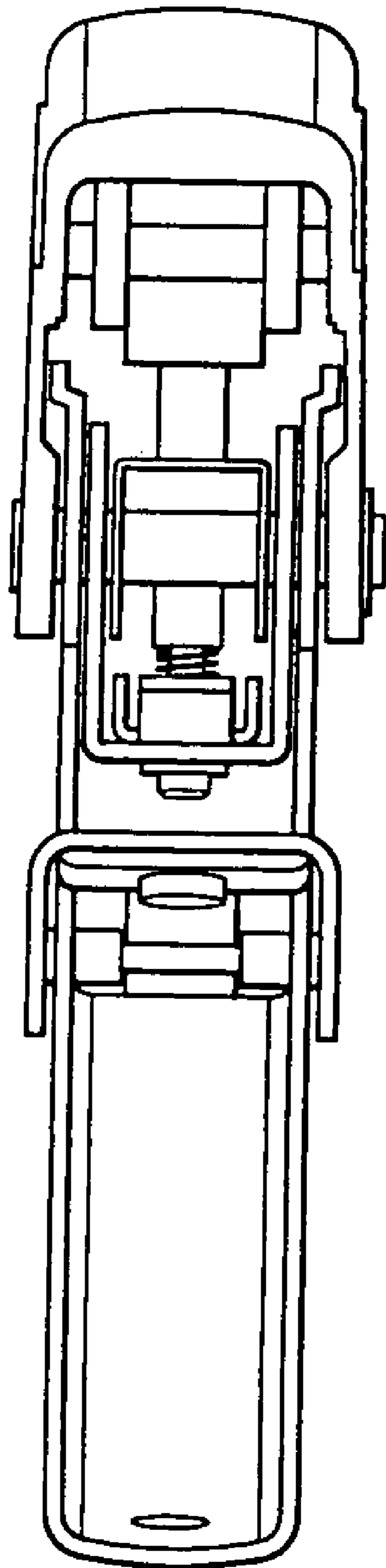


FIG. 7