



US00D558011S

(12) **United States Design Patent**  
**Bodum**

(10) **Patent No.:** **US D558,011 S**

(45) **Date of Patent:** **\*\* Dec. 25, 2007**

(54) **CAN OPENER**

(75) Inventor: **Jørgen Bodum**, St. Niklausen (CH)

(73) Assignee: **Pi-Design AG**, Triengen (CH)

(\*\*) Term: **14 Years**

(21) Appl. No.: **29/257,921**

(22) Filed: **Apr. 12, 2006**

(30) **Foreign Application Priority Data**

Oct. 19, 2005 (DK) ..... DA 2005 00298

(51) **LOC (8) Cl.** ..... **07-99**

(52) **U.S. Cl.** ..... **D8/41**

(58) **Field of Classification Search** ..... D7/372,  
D7/414, 680; D8/14, 18, 33, 36, 38-41;  
7/151, 152, 154, 156; 30/400-405, 408-410,  
30/415-427, 433, 434; 81/3.07, 3.2, 3.31  
See application file for complete search history.

(56) **References Cited**

U.S. PATENT DOCUMENTS

1,838,525 A \* 12/1931 Bunker ..... 30/427  
D279,861 S \* 7/1985 Hoskins ..... D8/39  
D292,866 S \* 11/1987 Barnett ..... D8/41  
D405,332 S \* 2/1999 So ..... D8/39

D406,027 S \* 2/1999 So ..... D8/39  
D458,819 S \* 6/2002 Levien ..... D8/39  
D466,771 S \* 12/2002 Chang ..... D8/41  
D474,083 S \* 5/2003 Lo ..... D8/39

\* cited by examiner

*Primary Examiner*—Robert M. Spear

*Assistant Examiner*—Garth Rademaker

(74) *Attorney, Agent, or Firm*—Cowan, Liebowitz & Latman, PC

(57) **CLAIM**

The ornamental design for a can opener, as shown and described.

**DESCRIPTION**

FIG. 1 is a perspective view of the can opener showing my design thereof;

FIG. 2 is a front view thereof;

FIG. 3 is a back view thereof;

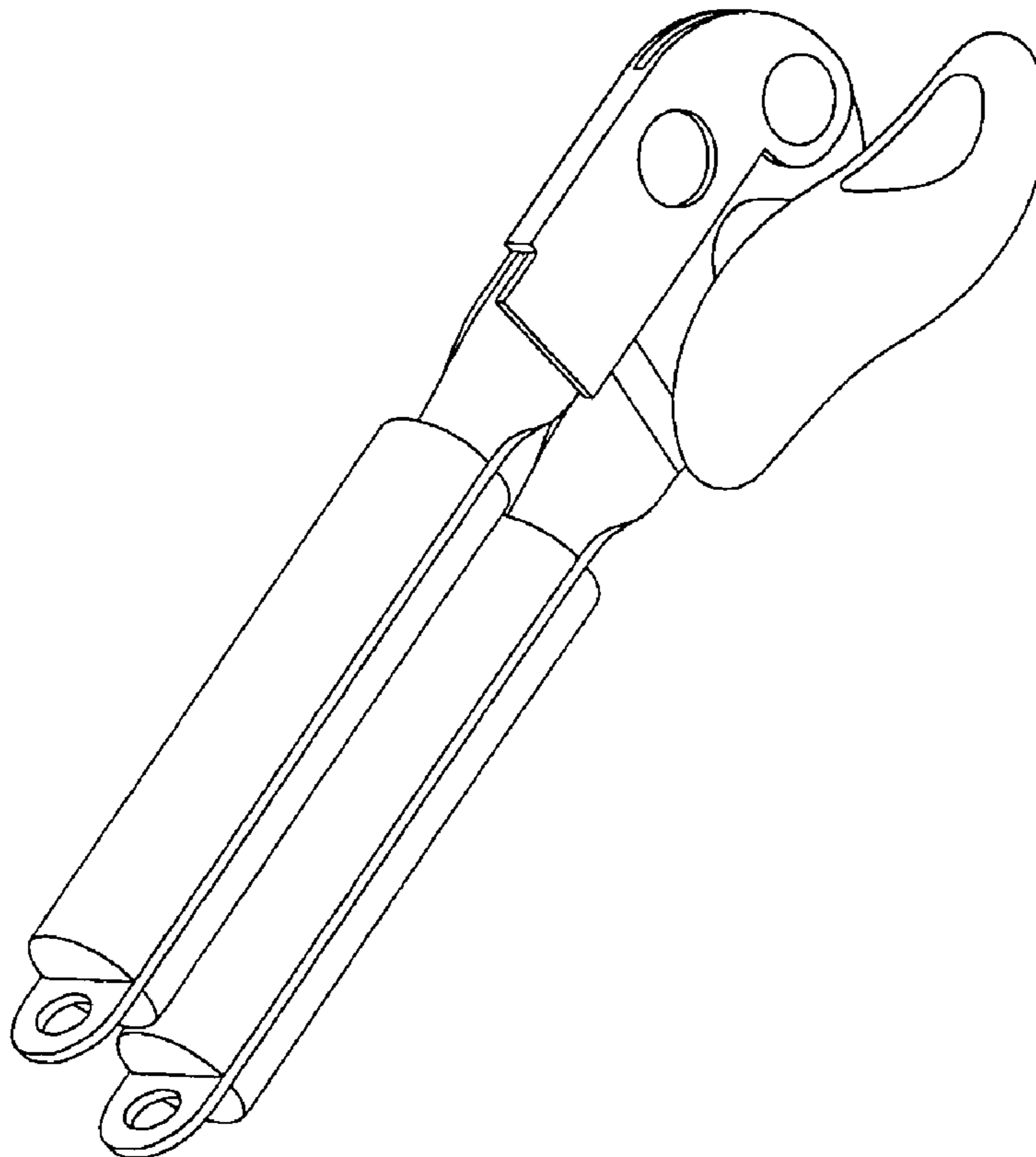
FIG. 4 is a left side view thereof;

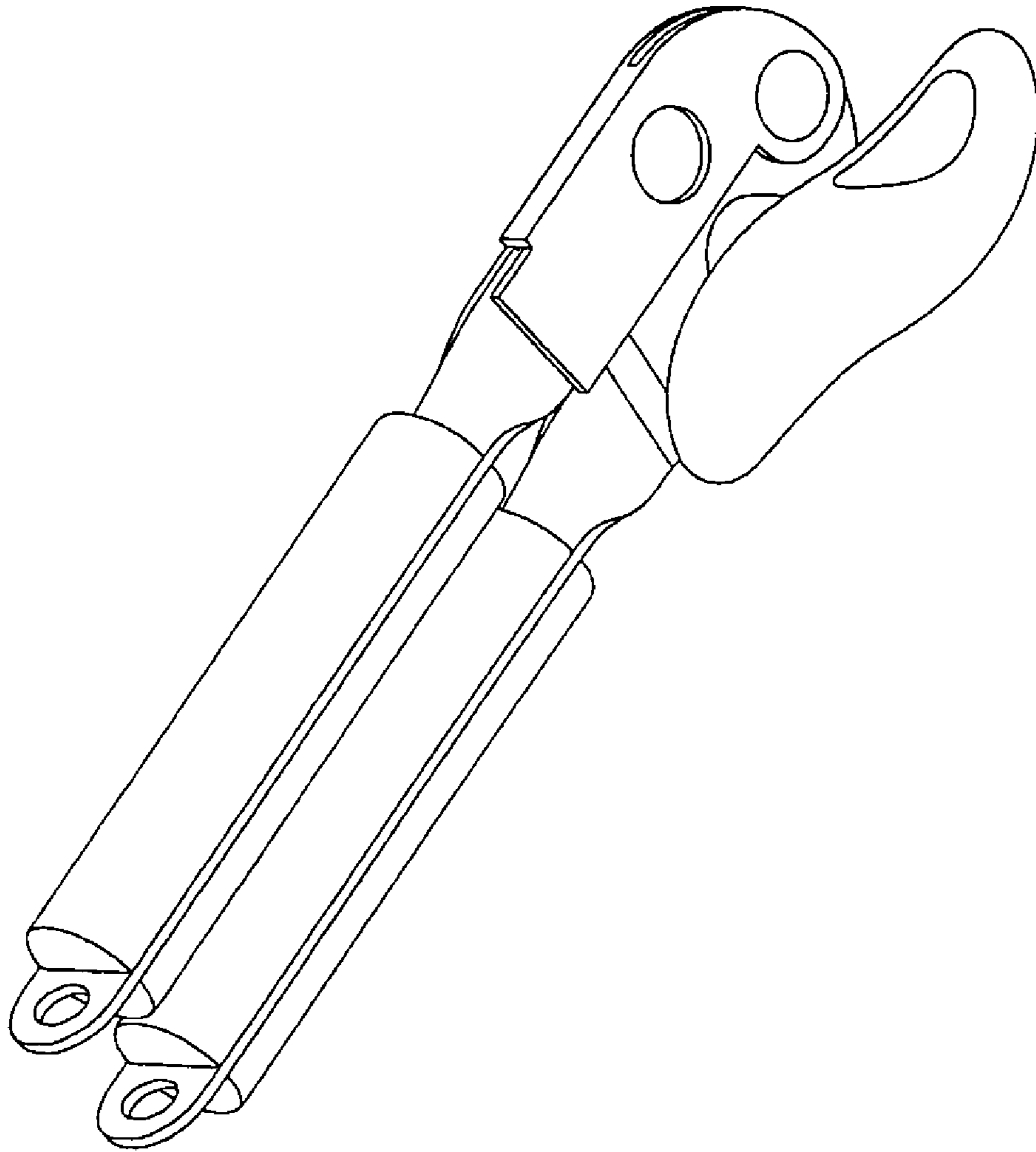
FIG. 5 is a right side view thereof;

FIG. 6 is a top view thereof; and,

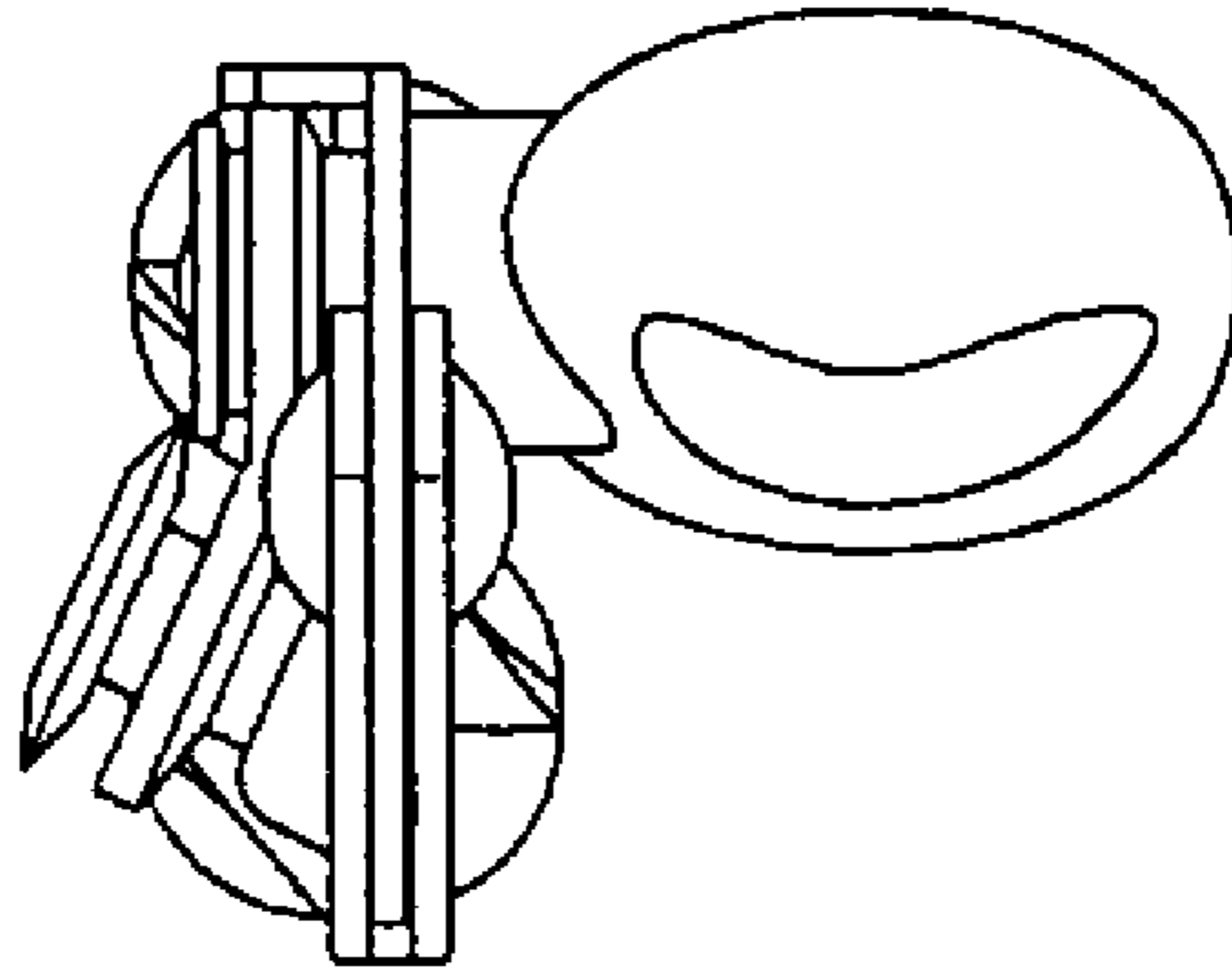
FIG. 7 is a bottom view thereof.

**1 Claim, 7 Drawing Sheets**

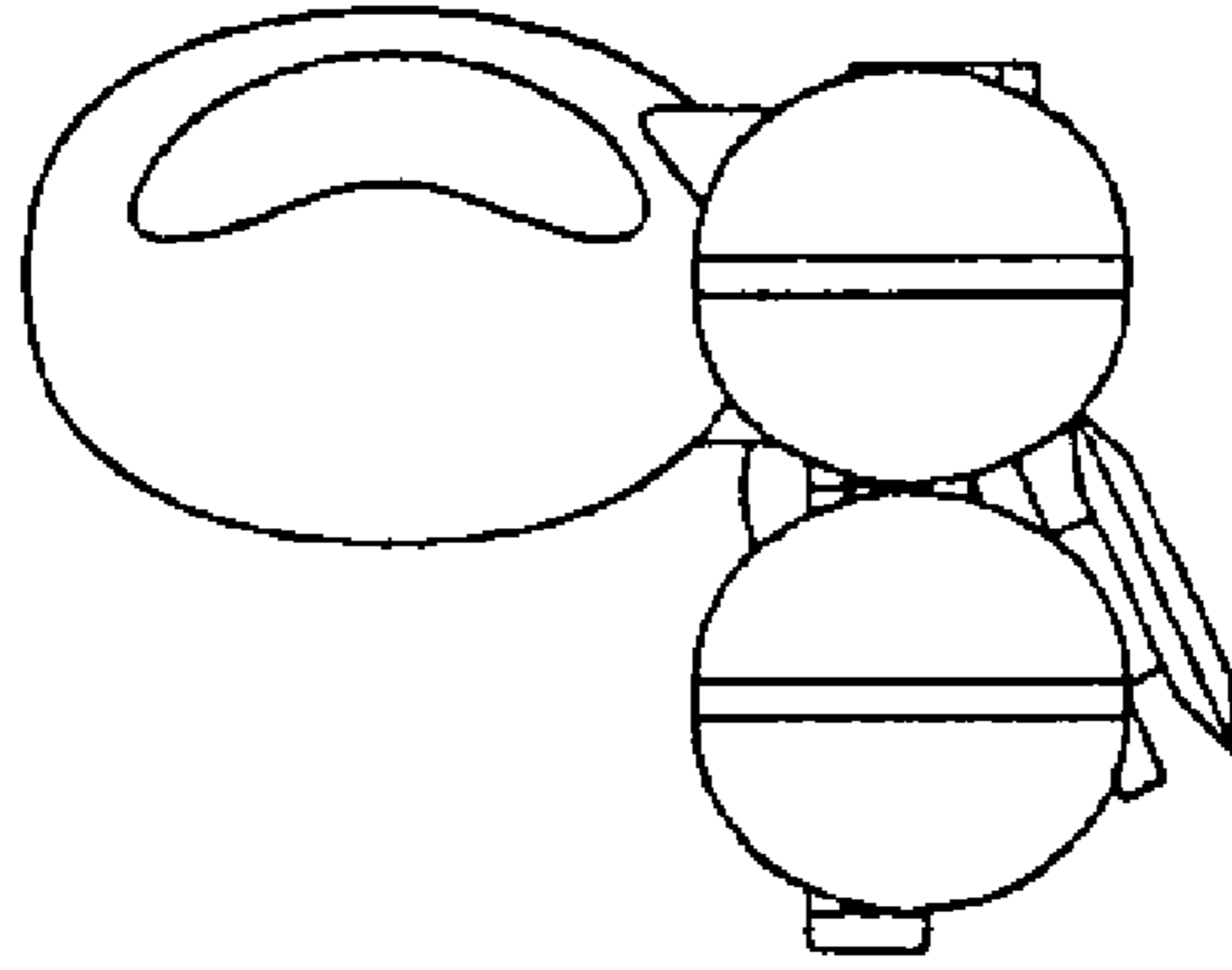




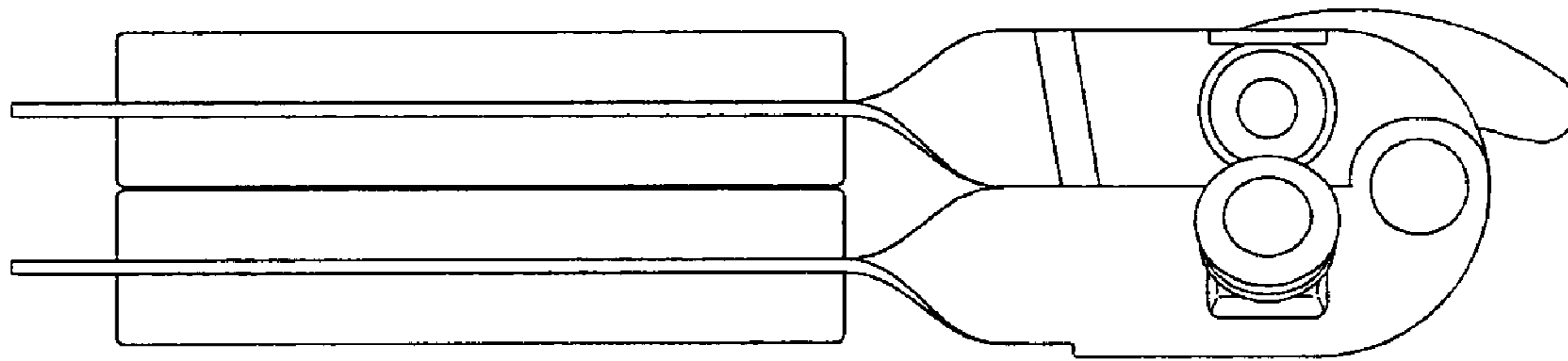
**FIG. 1**



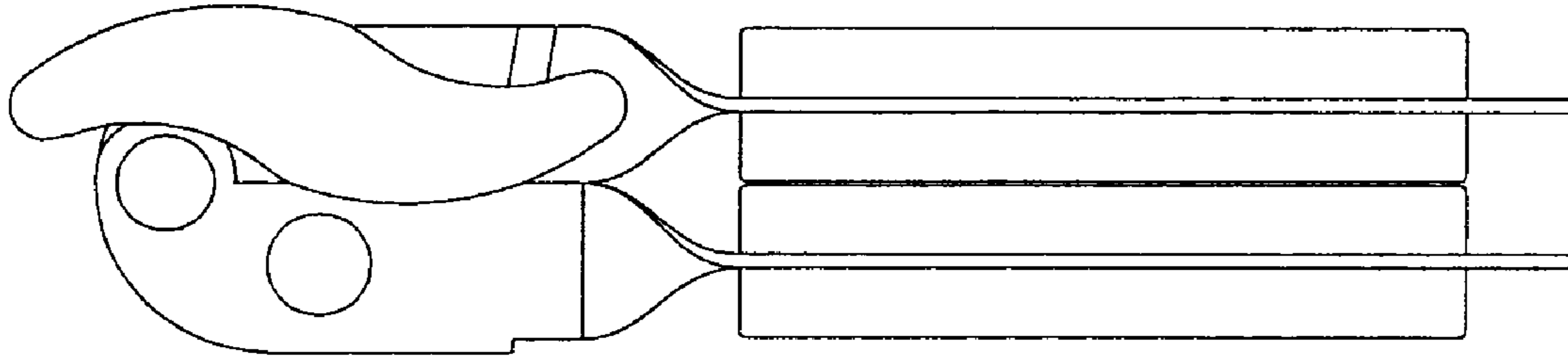
**FIG. 2**



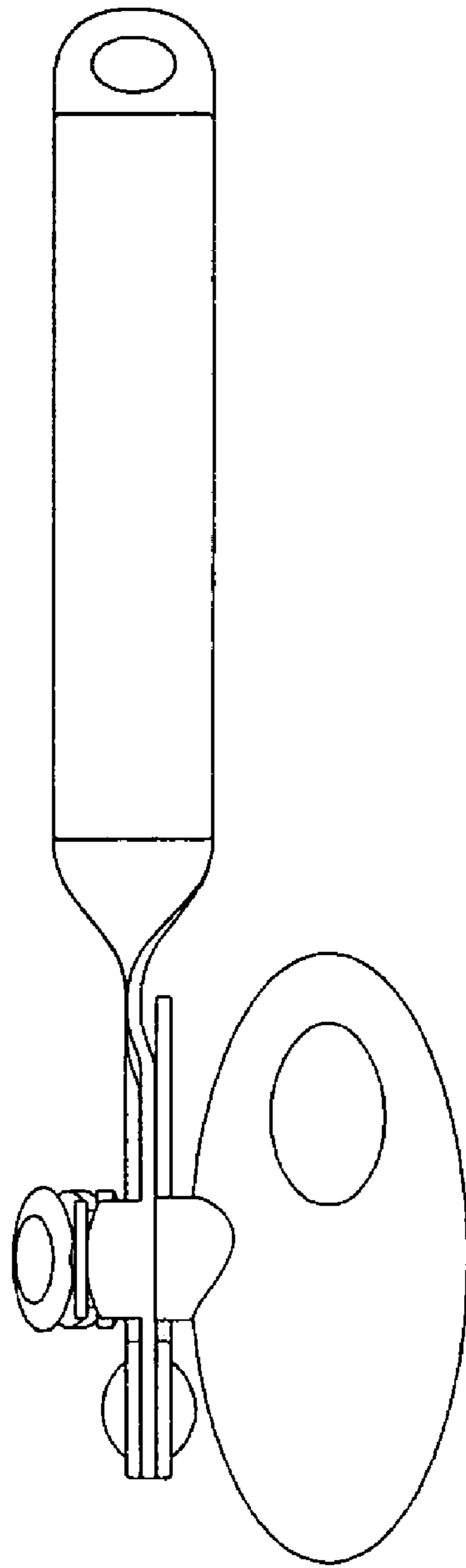
**FIG. 3**



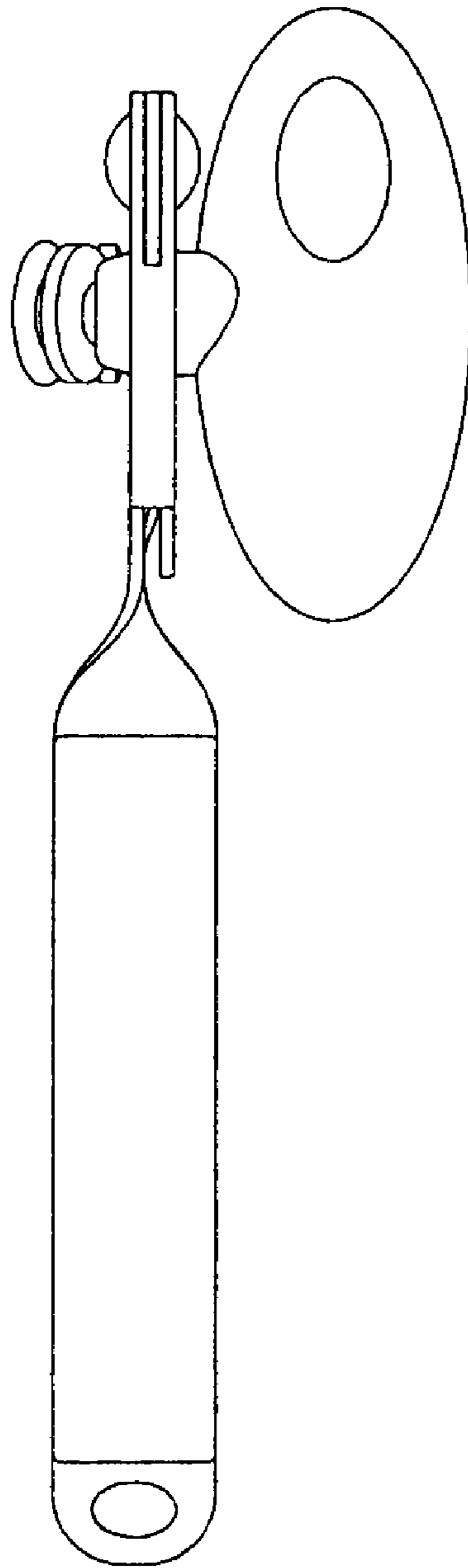
**FIG. 4**



**FIG. 5**



**FIG. 6**



**FIG. 7**