



US00D558008S

(12) **United States Design Patent** (10) **Patent No.:** **US D558,008 S**  
**Snider** (45) **Date of Patent:** **\*\* Dec. 25, 2007**

(54) **WRENCH**  
(75) Inventor: **Gregory Scott Snider**, Bel Air, MD (US)  
(73) Assignee: **Black & Decker Inc.**, Newark, DE (US)  
(\*\*) Term: **14 Years**  
(21) Appl. No.: **29/260,687**  
(22) Filed: **May 31, 2006**  
(51) **LOC (8) Cl.** ..... **08-05**  
(52) **U.S. Cl.** ..... **D8/22**  
(58) **Field of Classification Search** ..... D8/21-30;  
81/60, 177.1, 177.85, 121.1, 124.3, 165-170,  
81/110.1, 176.2, 124.6, 176.1, 176.15, 177.2;  
16/110.1; D15/144.1; 219/75, 227, 229,  
219/121.16, 121.18  
See application file for complete search history.

DE	M 89 04 496	2/1990
DE	M 89 05 611	2/1990
DE	M 89 00 44	3/1990
DE	M 89 08 402	4/1990
DE	M 93 06 899	3/1994
DE	M 97 04 837	11/1997
DE	197 25 624 A1	1/1998
DE	M 98 01 909	12/1998
DE	299 02 494 U1	10/1999
DE	M 401 00 711	7/2001
DE	40404363	12/2004
DE	40404366	12/2004
DE	40406685	4/2005
FR	DM/046982	5/1999
FR	DM/055915	6/2001
FR	DM/061745	11/2002

\* cited by examiner

*Primary Examiner*—Raphael Barkai  
*Assistant Examiner*—Randall H Gholson  
(74) *Attorney, Agent, or Firm*—Bruce S. Shapiro; John Yun; Wesley W. Muller

(56) **References Cited**

**U.S. PATENT DOCUMENTS**

1,828,561 A	10/1931	Garrison	
2,722,150 A	11/1955	Green	
4,106,372 A	8/1978	Miller	
4,512,221 A *	4/1985	Picone	81/170
5,682,802 A	11/1997	Mazzone	
5,809,852 A *	9/1998	Haskell	81/129
D445,656 S	7/2001	Ranieri et al.	
6,279,429 B1	8/2001	Boyer	
D457,406 S	5/2002	Hu	
D465,706 S	11/2002	Ravaillault	
6,477,921 B1	11/2002	Picone	
6,789,451 B1	9/2004	Wu	
6,966,242 B2	11/2005	Picone	
7,114,824 B2 *	10/2006	Picone	362/119
2004/0144215 A1	7/2004	Picone	

**FOREIGN PATENT DOCUMENTS**

DE 6912063 U 1/1970

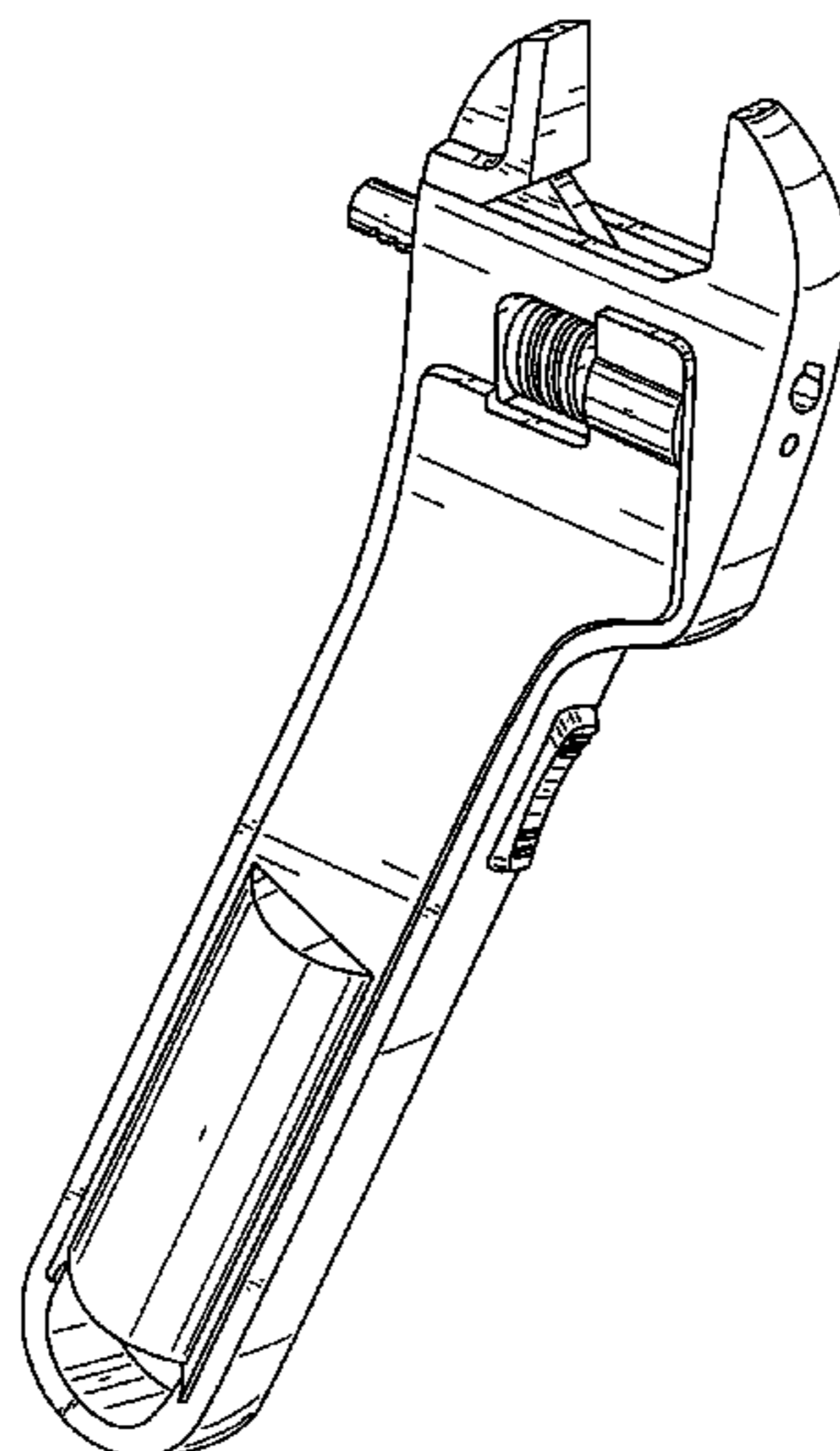
(57) **CLAIM**

The ornamental design for a wrench, as shown and described.

**DESCRIPTION**

FIG. 1 is a left/front perspective view of a wrench showing my new design.  
FIG. 2 is a front view thereof.  
FIG. 3 is a rear view thereof.  
FIG. 4 is a right side view thereof.  
FIG. 5 is a left side view thereof.  
FIG. 6 is a top view thereof; and,  
FIG. 7 is a bottom view thereof.

**1 Claim, 6 Drawing Sheets**



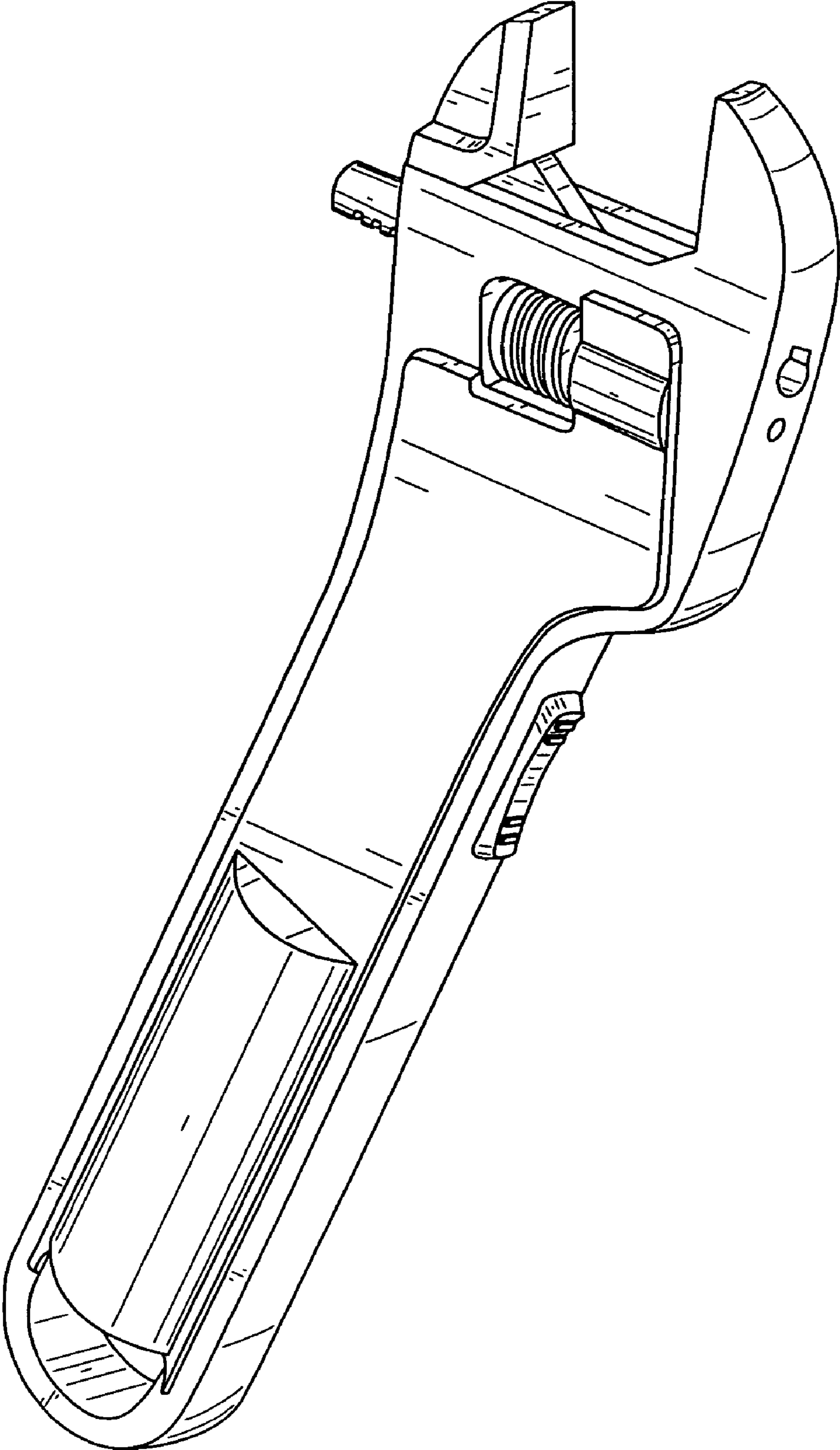


FIG. 1

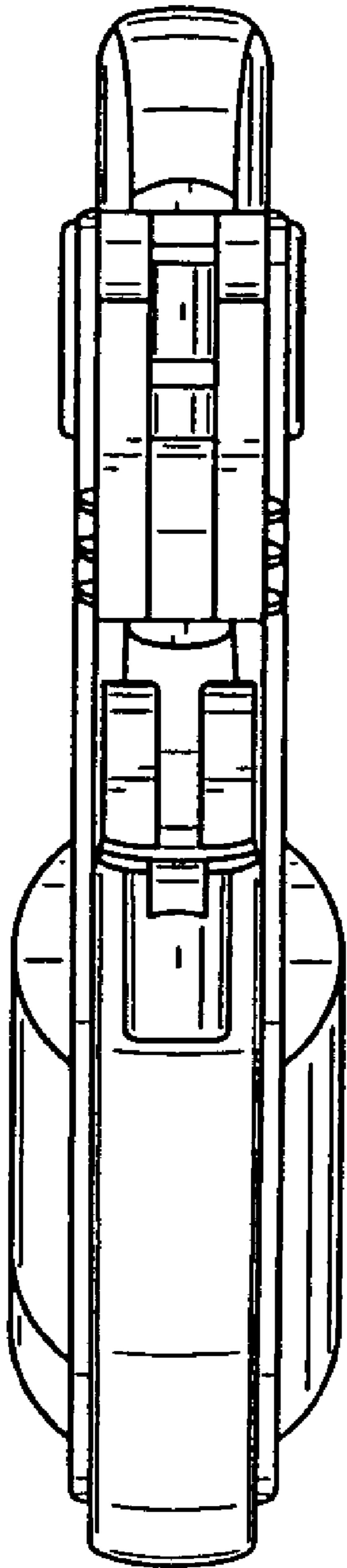


FIG. 2

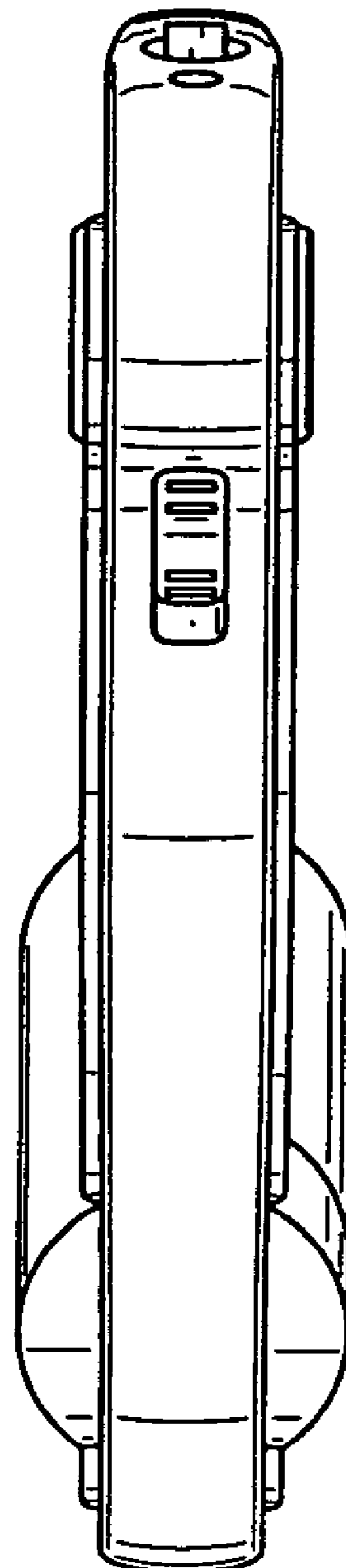


FIG. 3

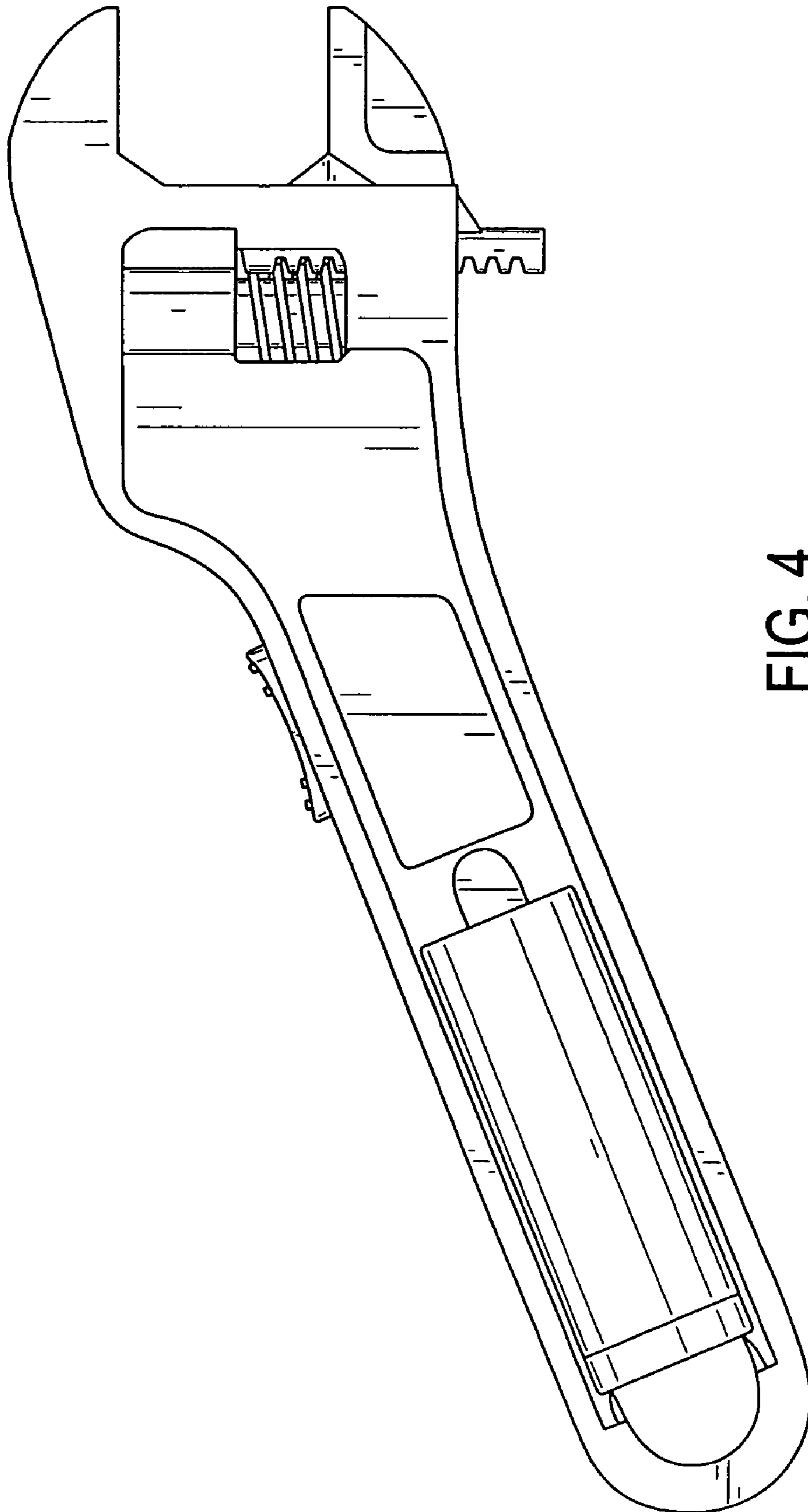


FIG. 4

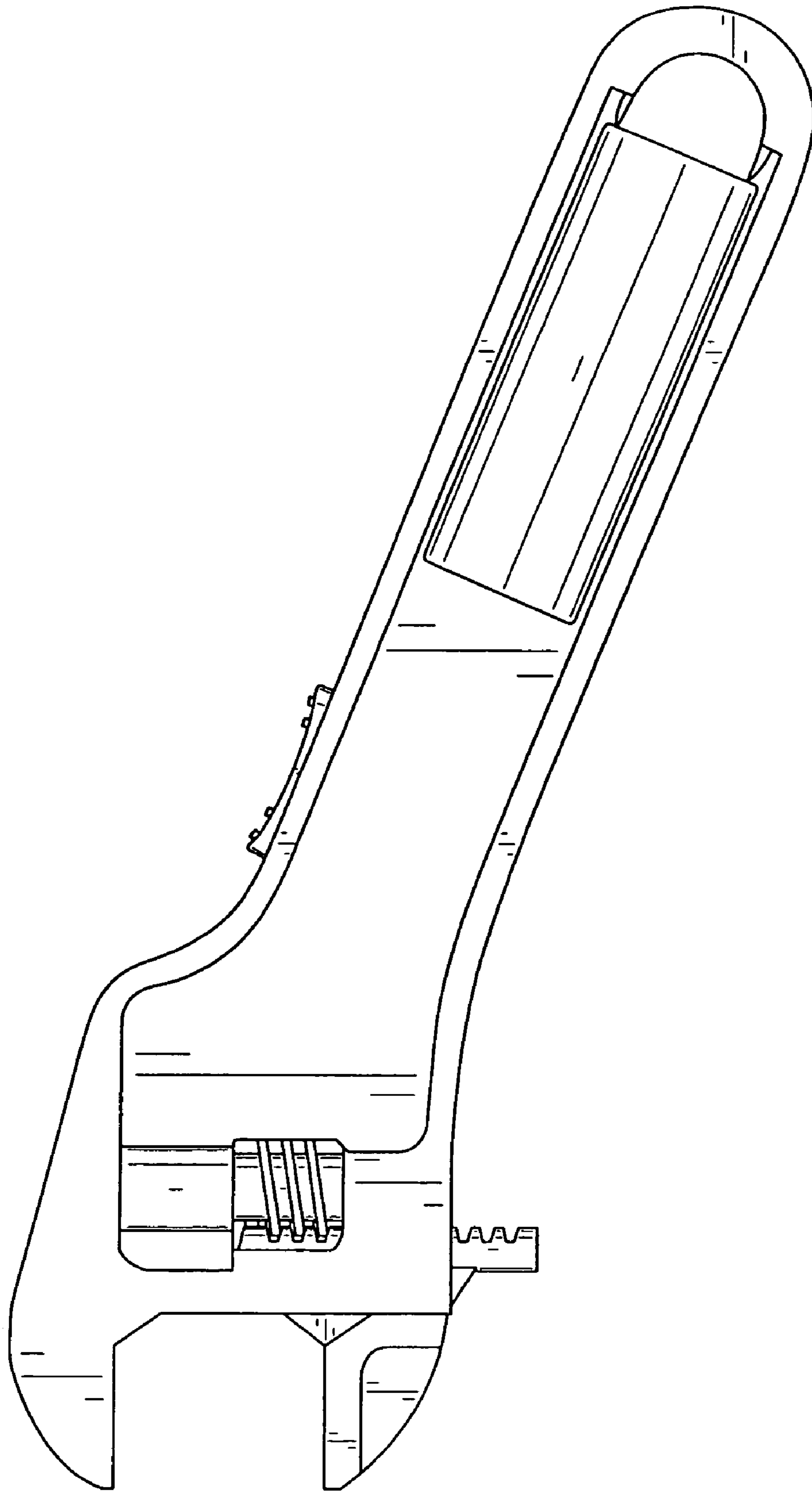


FIG. 5

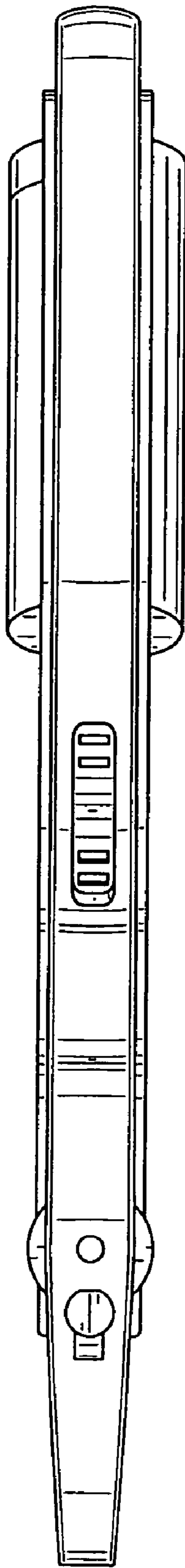


FIG. 6

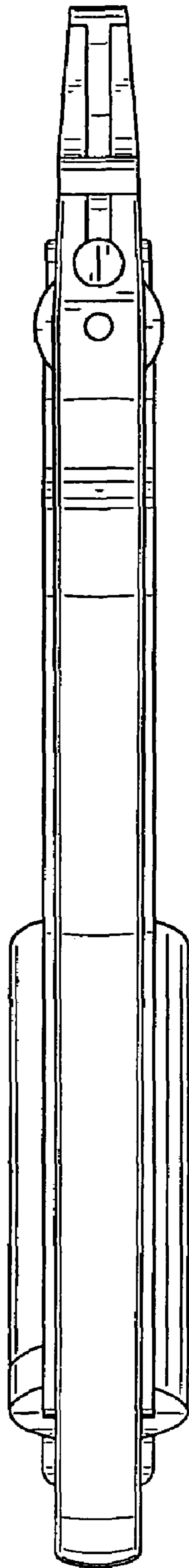


FIG. 7