



US00D558007S

(12) **United States Design Patent**
Cox

(10) **Patent No.:** **US D558,007 S**
(45) **Date of Patent:** **** Dec. 25, 2007**

(54) **MOUNTING WRENCH FOR A GARBAGE DISPOSAL**

D422,466 S * 4/2000 Kovach D8/17

(76) Inventor: **Daniel W. Cox**, 116 Marimac La.,
Vernon Hills, IL (US) 60061

* cited by examiner

(**) Term: **14 Years**

Primary Examiner—Raphael Barkai

Assistant Examiner—Randall H Gholson

(21) Appl. No.: **29/280,390**

(74) *Attorney, Agent, or Firm*—Mathew R. P. Perrone, Jr.;
Brie A. Crawford

(22) Filed: **May 25, 2007**

(57) **CLAIM**

(51) **LOC (8) Cl.** **08-05**

The ornamental design for a mounting wrench for a garbage disposal, as shown and described.

(52) **U.S. Cl.** **D8/21**

(58) **Field of Classification Search** D8/17,
D8/21–29, 105, 107, 52, 55; 81/124.2, 125,
81/125.1, 176.1, 176.2, 177.1, 177.2, 177.3,
81/177.85, 124.3, 124.7, 176.3, 58.3, 300,
81/58.1, 60, 63.1, 121.7, 436, 437, 165, 418,
81/166, 168, 169, 170, 179, 160, 3.57, 3.55,
81/58.4, 186; 140/119; 16/422, 429
See application file for complete search history.

DESCRIPTION

FIG. 1 is a top perspective view of my design for a mounting wrench for a garbage disposal;

FIG. 2 is a top view thereof;

FIG. 3 is a bottom view thereof;

FIG. 4 is a right side view thereof;

FIG. 5 is a left side view thereof;

FIG. 6 is a front view thereof;

FIG. 7 is a rear view thereof; and,

FIG. 8 is an exploded top plan view thereof.

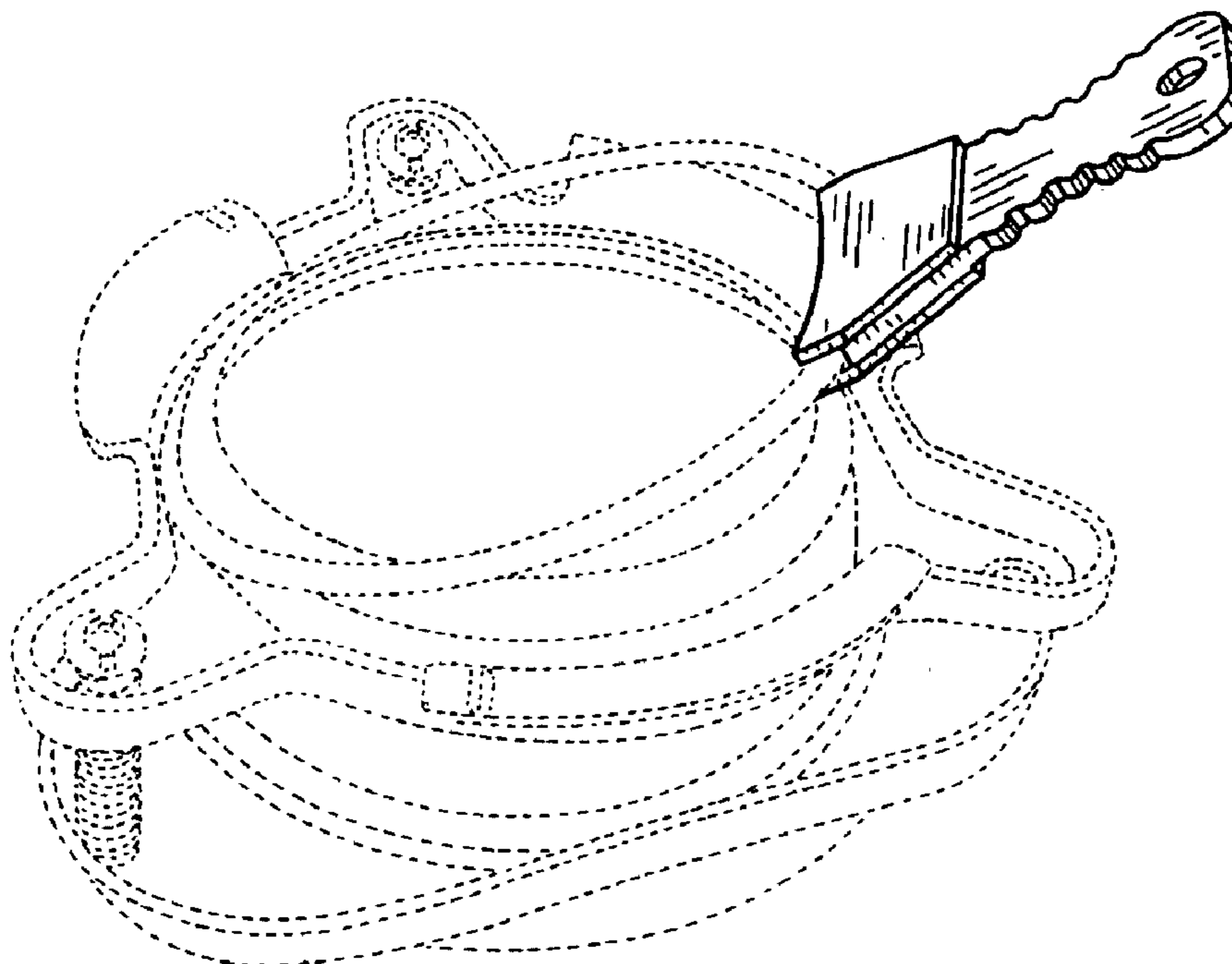
The broken lines shown on the drawings is included for the purpose of illustration and forms no part of the claimed design.

(56) **References Cited**

U.S. PATENT DOCUMENTS

D167,245 S *	7/1952	Anderson	D8/28
D175,493 S *	9/1955	Brame	D8/27
2,765,691 A *	10/1956	Meredith	81/127
D194,407 S *	1/1963	Fish	D8/27
D329,788 S *	9/1992	Andrew	D8/17
D396,616 S *	8/1998	McCallum	D8/22
D399,715 S *	10/1998	Budd, Sr.	D8/17

1 Claim, 3 Drawing Sheets



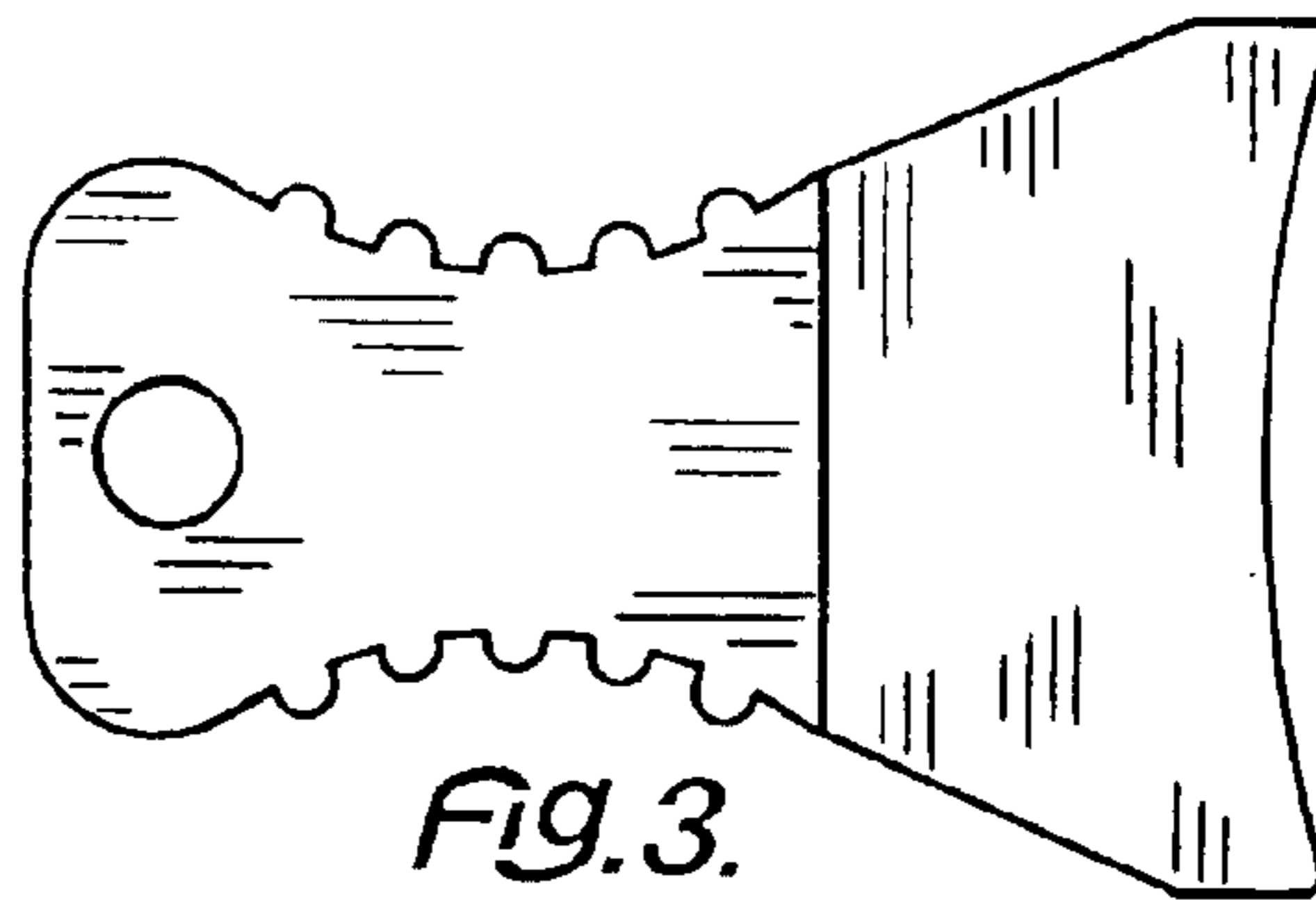
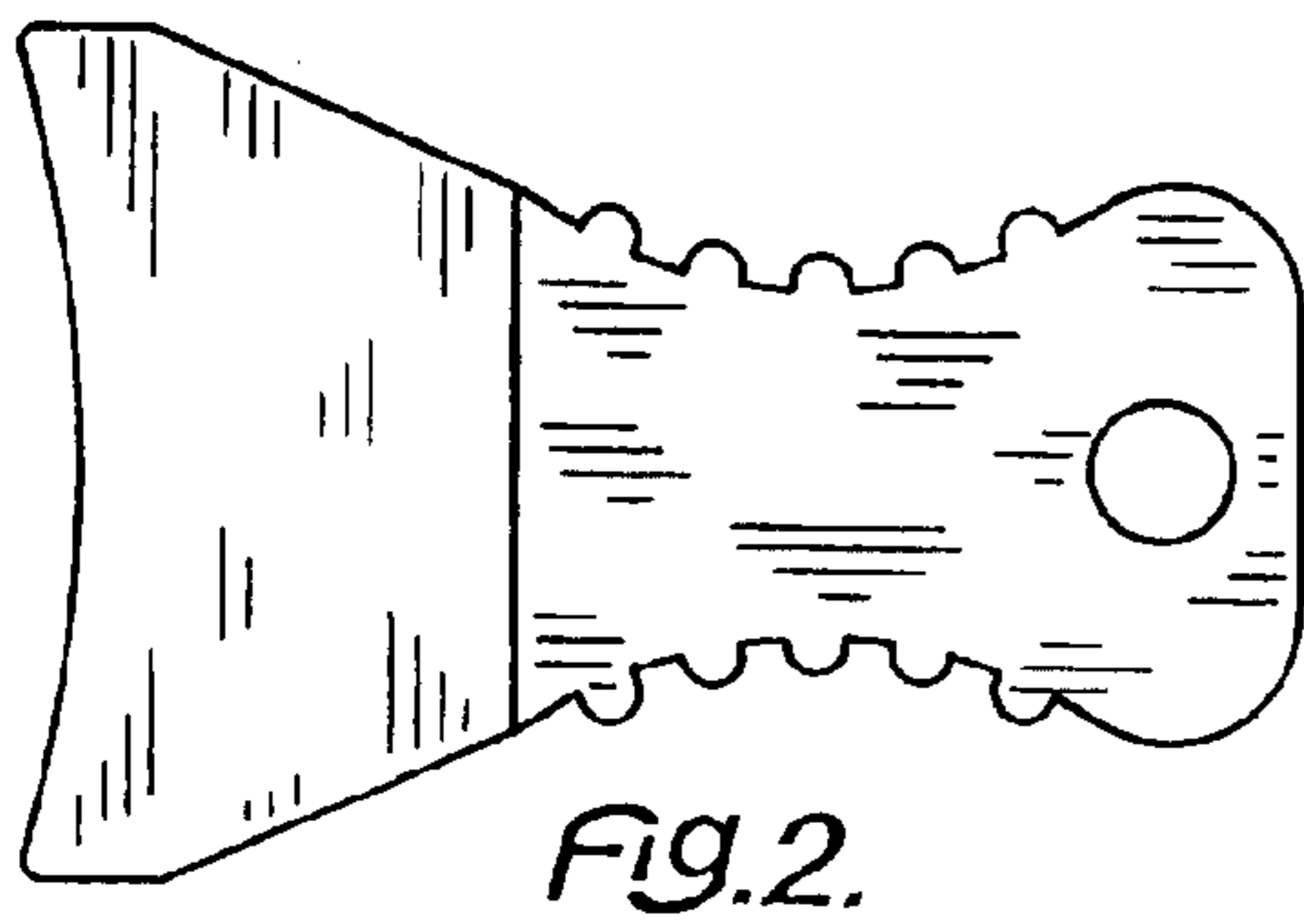
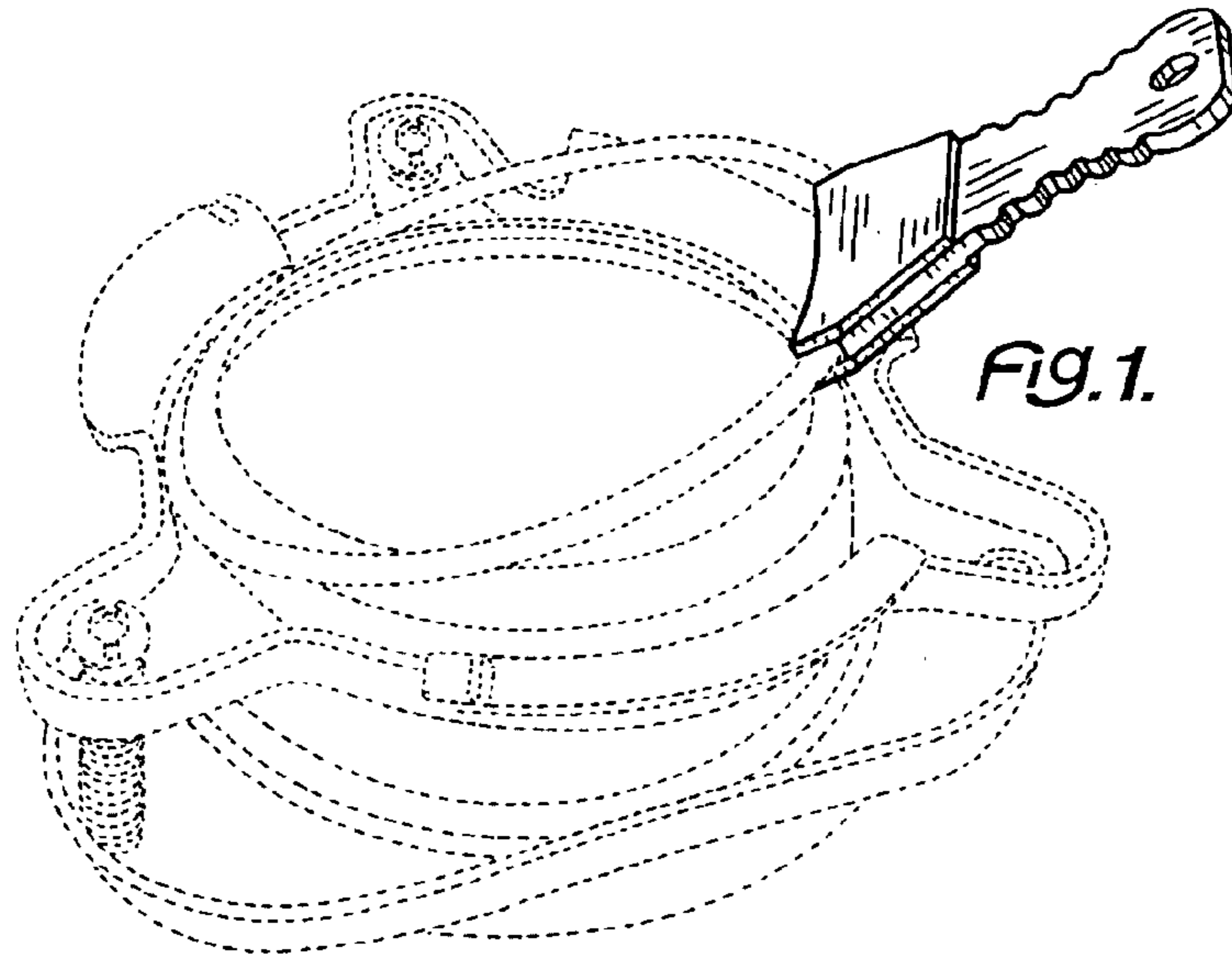




FIG. 4.



FIG. 5.

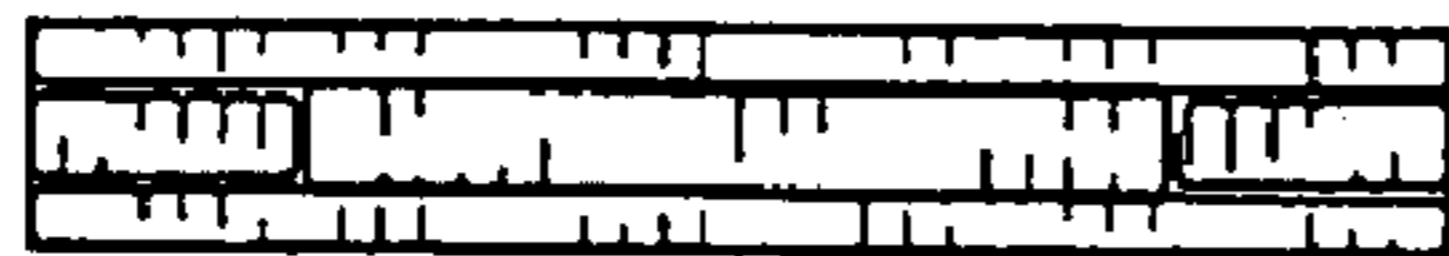


FIG. 6.

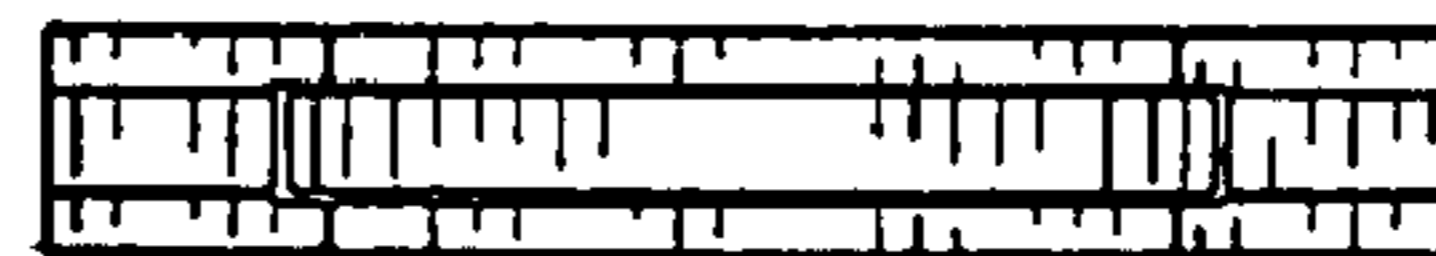


FIG. 7.

Fig. 8.

