



US00D558005S

(12) **United States Design Patent** (10) **Patent No.:** **US D558,005 S**
Filangi (45) **Date of Patent:** **** Dec. 25, 2007**

(54) **GARDEN TOOL**

(76) Inventor: **Anna Filangi**, 6985 Riverside Dr., Dearborn Heights, MI (US) 48127

(**) Term: **14 Years**

(21) Appl. No.: **29/266,100**

(22) Filed: **Sep. 14, 2006**

(51) **LOC (8) Cl.** **08-01**

(52) **U.S. Cl.** **D8/11**

(58) **Field of Classification Search** D8/11, D8/10; 172/13, 371

See application file for complete search history.

(56) **References Cited**

U.S. PATENT DOCUMENTS

- 62,574 A * 3/1867 Timby 172/371
- 1,039,056 A 9/1912 Hess
- 1,181,308 A 5/1916 Harwell
- 1,185,581 A 5/1916 Beymer
- 1,259,530 A 3/1918 Lasister
- D56,054 S * 8/1920 Dlacich D8/11
- 1,468,628 A 9/1923 Dunbar
- 1,549,042 A 8/1925 Masters
- 1,954,854 A 4/1934 Vonderahe
- 2,224,556 A 12/1940 Taft
- 2,279,747 A 4/1942 Brandeberry
- 3,293,674 A 12/1966 Sapia
- 3,847,226 A 11/1974 Long
- 4,177,864 A 12/1979 Donnini

- 4,191,261 A 3/1980 Tarantino
- 4,546,831 A 10/1985 Albertson
- 6,360,826 B1 3/2002 Barber
- 6,412,569 B1 7/2002 Webb
- D496,841 S 10/2004 Baynard
- 2004/0108495 A1 6/2004 Hoover
- 2006/0096765 A1 5/2006 Trozelle

FOREIGN PATENT DOCUMENTS

JP 2004121194 A 4/2004

* cited by examiner

Primary Examiner—Holly H. Baynham

Assistant Examiner—Sheryl Friedman

(74) *Attorney, Agent, or Firm*—Miller, Canfield, Paddock and Stone, P.L.C.; Robert K. Roth

(57) **CLAIM**

I claim the ornamental design for a garden tool, as shown and described.

DESCRIPTION

FIG. 1 is a perspective view of a garden tool.

FIG. 2 is a side view of the garden tool of FIG. 1.

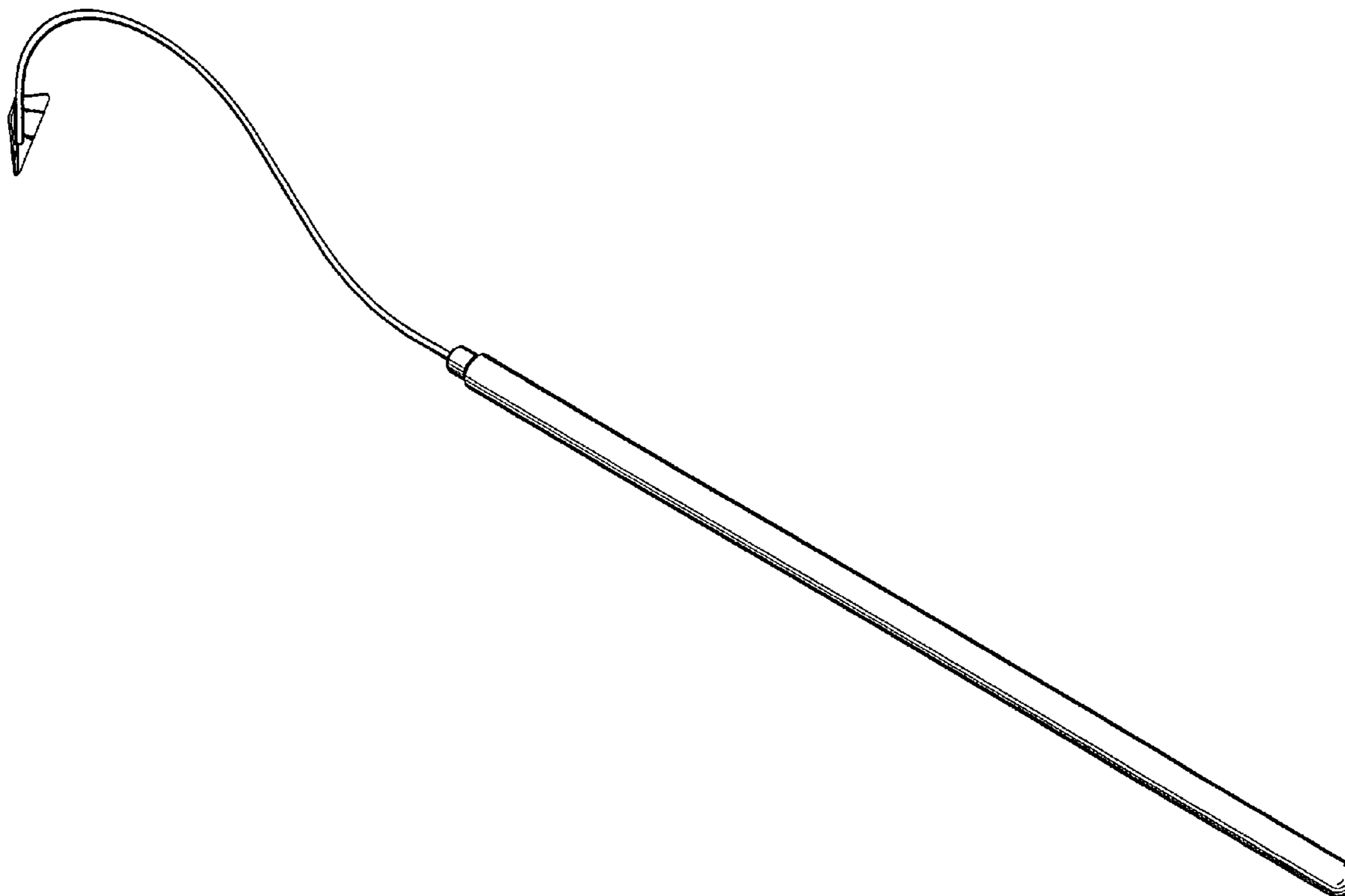
FIG. 3 is another side view of the garden tool of FIG. 1.

FIG. 4 is a top view of the garden tool of FIG. 1.

FIG. 5 is a right side view of the garden tool of FIG. 1; and,

FIG. 6 is a bottom view of the garden tool of FIG. 1.

1 Claim, 2 Drawing Sheets



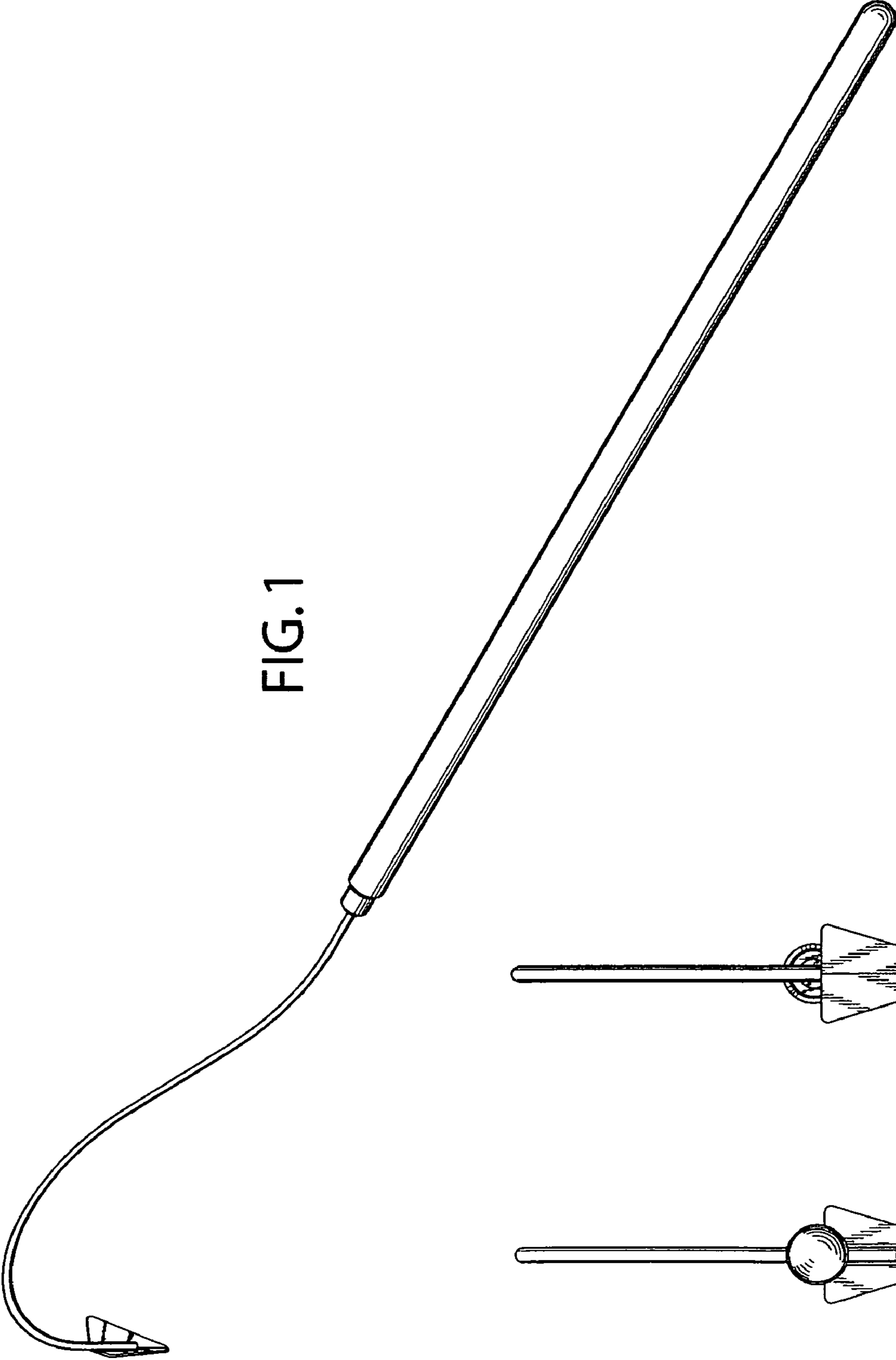


FIG. 1

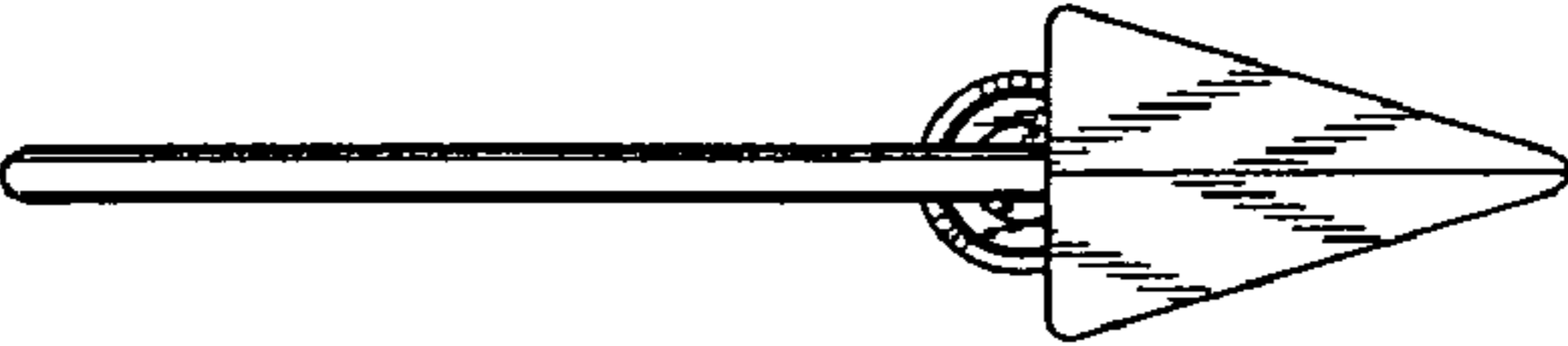


FIG. 3

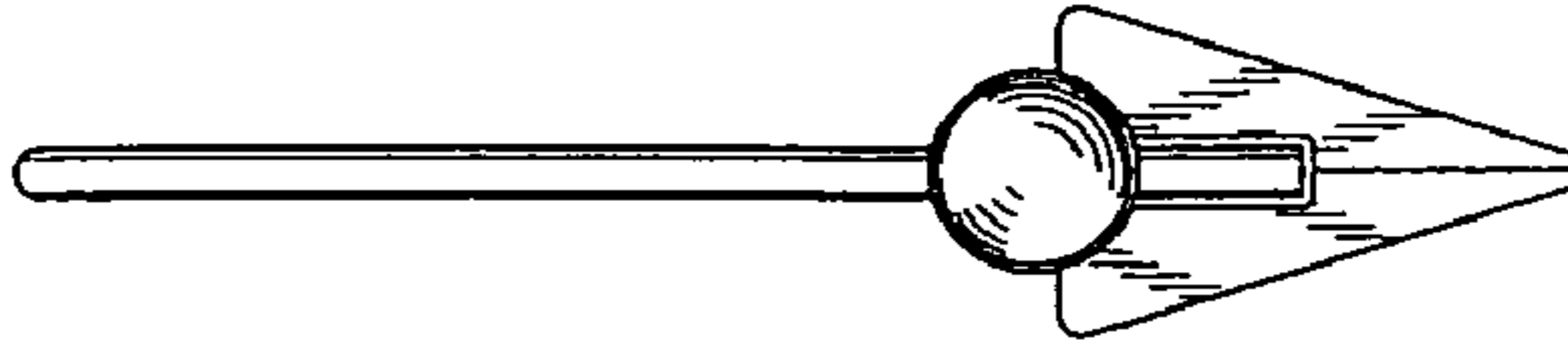


FIG. 2

FIG. 4

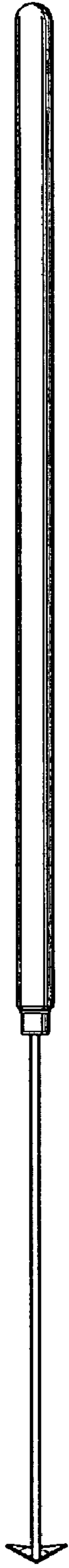


FIG. 5

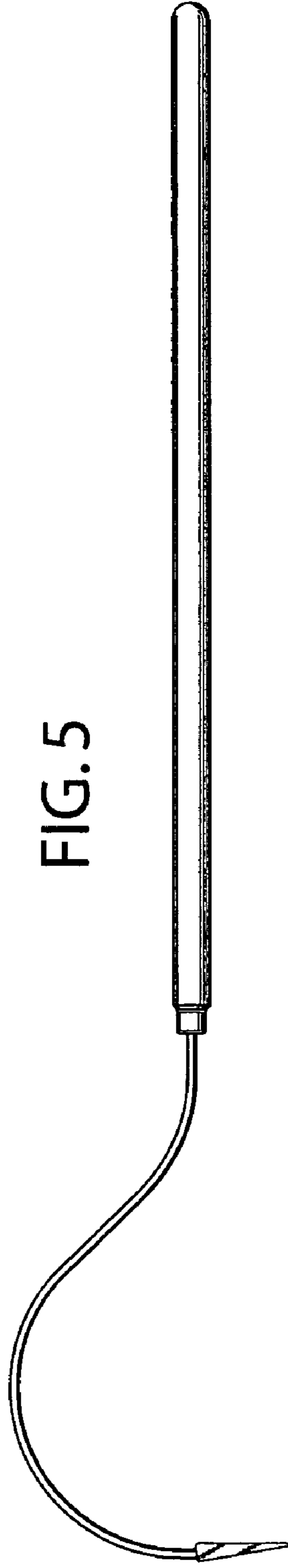


FIG. 6

