



US00D558004S

(12) **United States Design Patent**
Kelly, Jr.

(10) **Patent No.:** **US D558,004 S**

(45) **Date of Patent:** **** Dec. 25, 2007**

(54) **TWO-HANDED SHOVEL**

(76) Inventor: **George M. Kelly, Jr.**, 556 Columbia Rd., Dorchester, MA (US) 02125

(**) Term: **14 Years**

(21) Appl. No.: **29/247,605**

(22) Filed: **Jun. 28, 2006**

(51) **LOC (8) Cl.** **08-01**

(52) **U.S. Cl.** **D8/10**

(58) **Field of Classification Search** D8/10;
294/49, 54.5, 58, 57; 37/196, 265; 7/116

See application file for complete search history.

(56) **References Cited**

U.S. PATENT DOCUMENTS

982,145	A *	1/1911	Langlois	294/58
1,083,054	A *	12/1913	Brown	294/58
1,687,190	A *	10/1928	Wulff	294/58
3,466,078	A	9/1969	Sholund		
4,264,096	A *	4/1981	Barnett	294/58
4,787,661	A *	11/1988	Rutledge	294/58
4,944,541	A *	7/1990	Waldschmidt	294/58
5,054,830	A *	10/1991	Nisenbaum	294/58
5,133,582	A	7/1992	Rocha		
5,411,305	A *	5/1995	Revoldt	294/58
5,447,349	A *	9/1995	Coble	294/58
D377,300	S	1/1997	Fredrick von Essen		
5,704,672	A *	1/1998	Sims	294/58
5,921,600	A	7/1999	Lucas		
6,053,548	A	4/2000	Bowles, Jr.		

D436,506	S *	1/2001	Crowe, Jr.	D8/10
6,203,081	B1	3/2001	Kegan, Sr.		
D441,623	S *	5/2001	Storlie	D8/10
D459,641	S *	7/2002	Guneysu	D8/10
6,460,911	B1 *	10/2002	Engelsiepen	294/49
6,830,271	B2	12/2004	Piscopo et al.		
7,032,942	B2 *	4/2006	Stuart	294/58
D520,819	S *	5/2006	Onembo	D8/10
2003/0173789	A1 *	9/2003	Piscopo et al.	294/58

* cited by examiner

Primary Examiner—Holly H. Baynham

Assistant Examiner—Sheryl Friedman

(74) *Attorney, Agent, or Firm*—Mark A Crossley; Crossley Patent Law

(57) **CLAIM**

The ornamental design for a two-handed shovel, as shown and described.

DESCRIPTION

FIG. 1 is a front elevation view of a two-handed shovel showing my new design;

FIG. 2 is a rear elevation view;

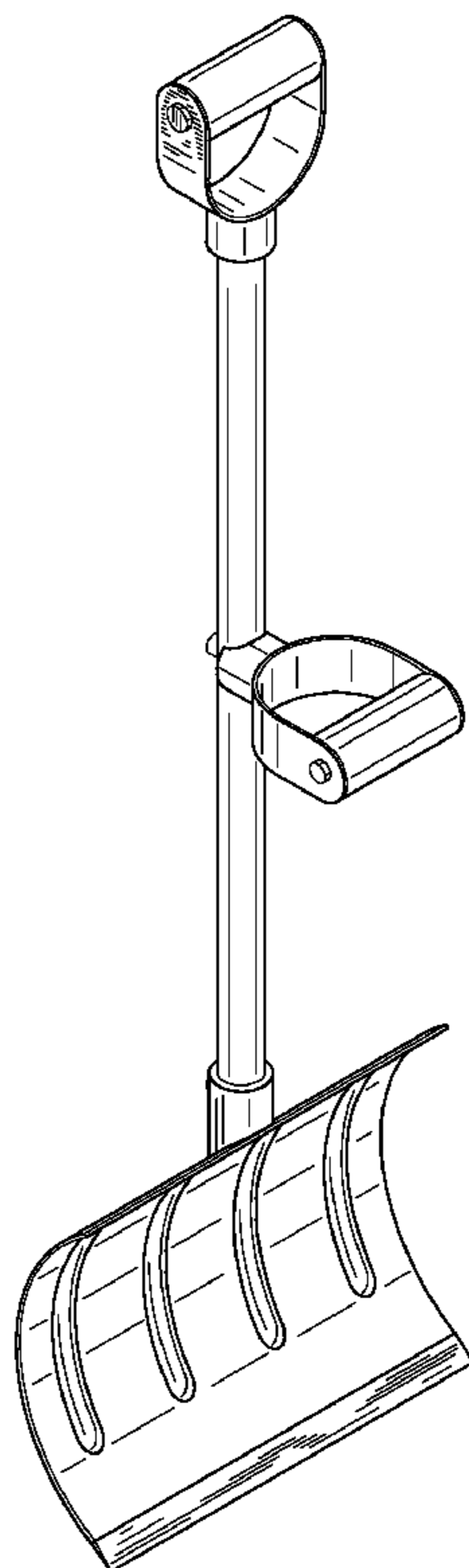
FIG. 3 is a right elevation view;

FIG. 4 is a top plan view

FIG. 5 is a bottom plan view; and,

FIG. 6 is a right side isometric view of a two-handed shovel showing my new design.

1 Claim, 2 Drawing Sheets



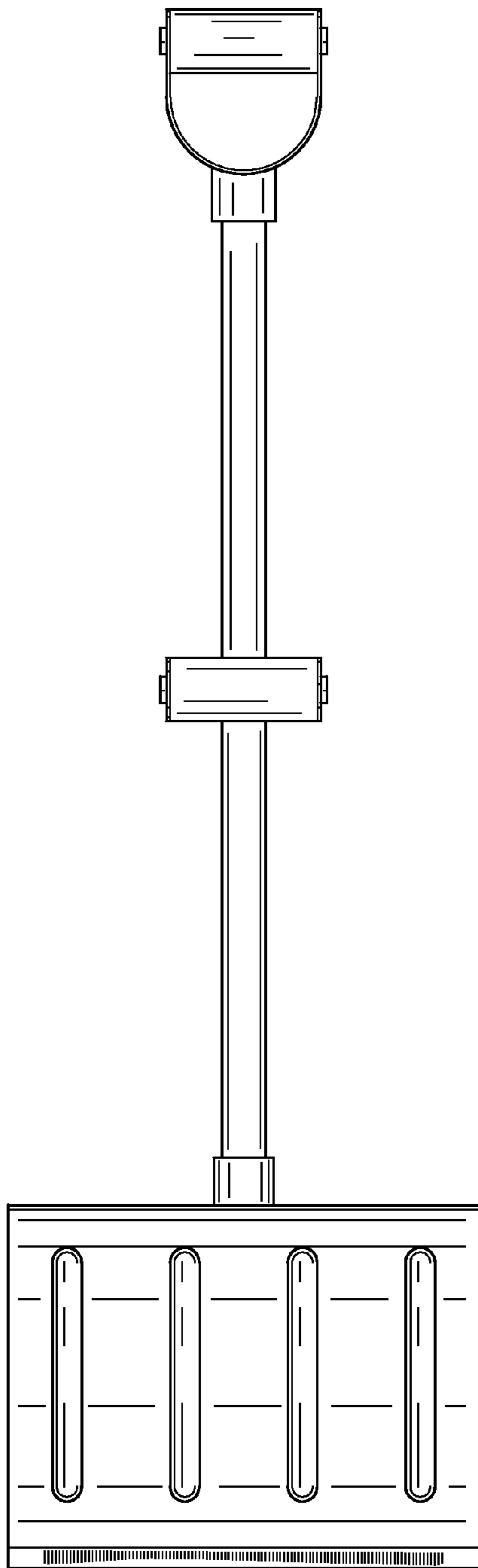


FIG. 1

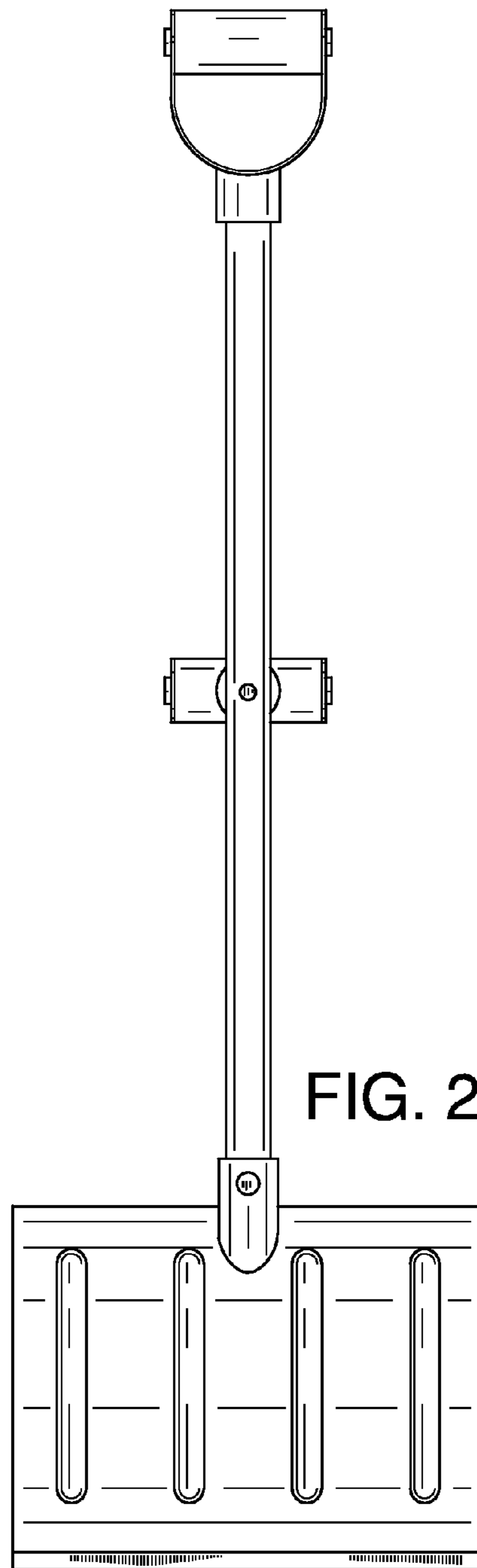


FIG. 2

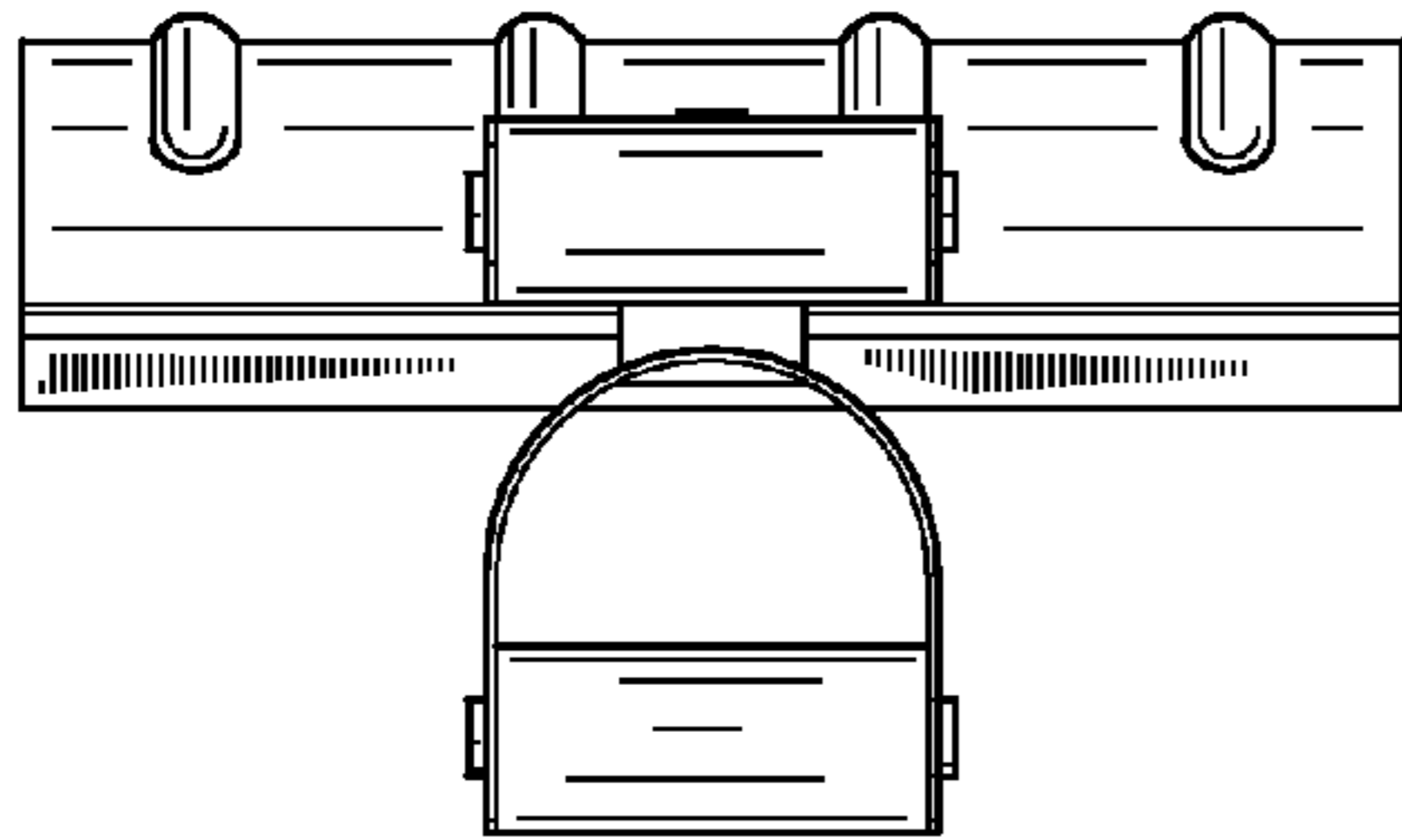


FIG. 4

FIG. 3

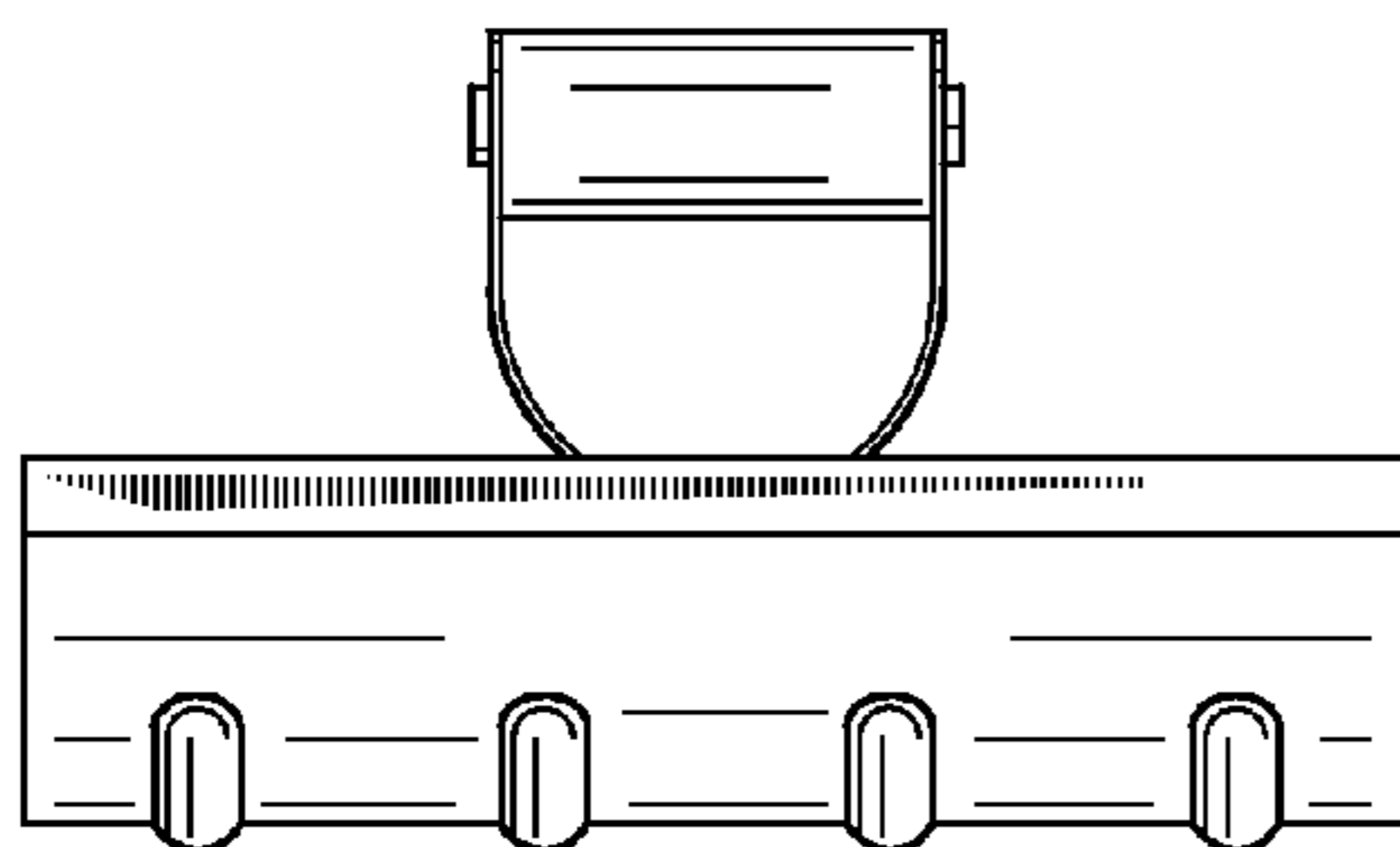
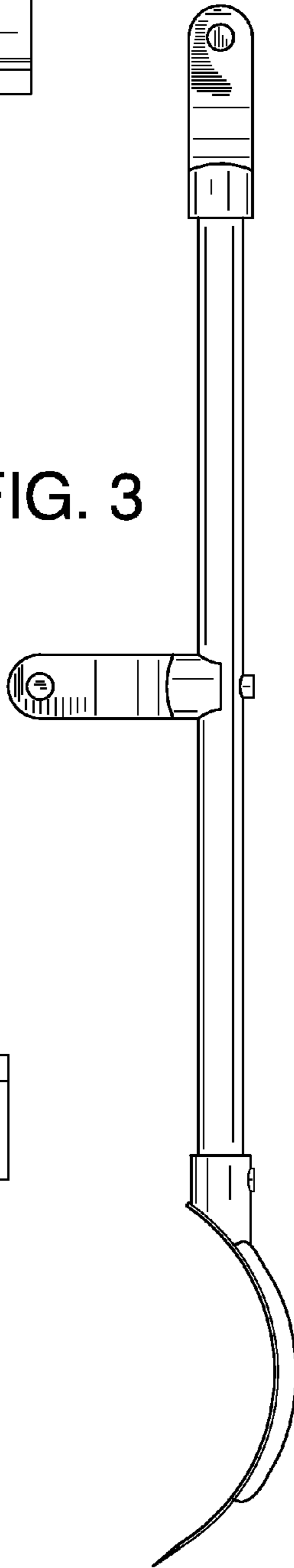


FIG. 5

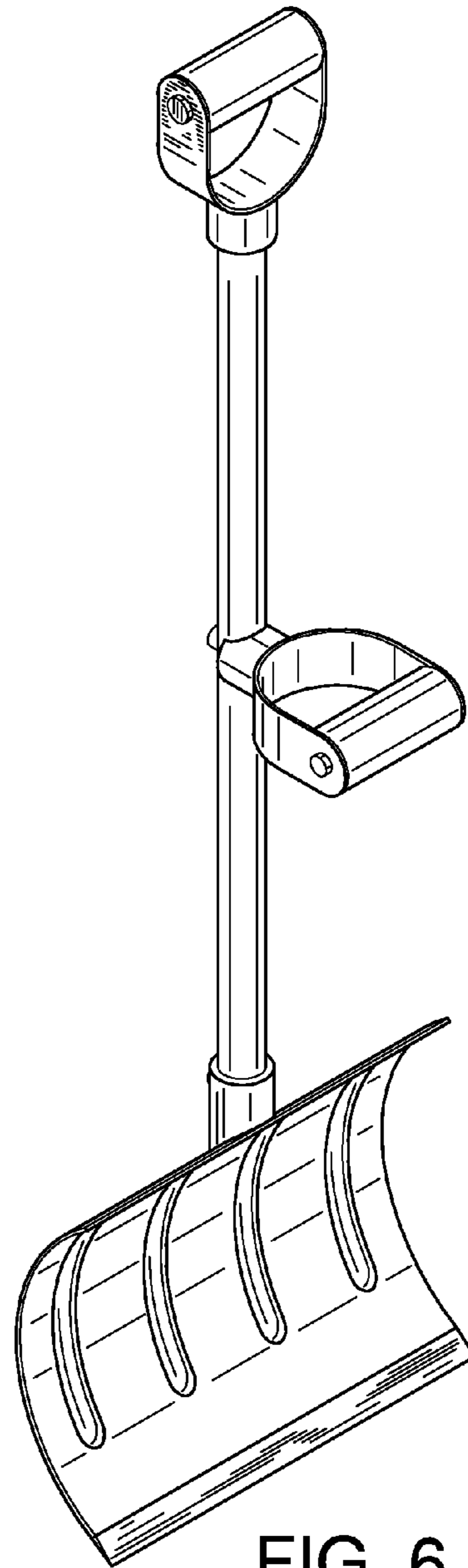


FIG. 6