



US00D558002S

(12) **United States Design Patent**  
**Meyer**

(10) **Patent No.:** **US D558,002 S**

(45) **Date of Patent:** **\*\* Dec. 25, 2007**

(54) **COMBINED SLICER AND JUICER**

(76) Inventor: **Thomas Meyer**, Beverwehr 22a,  
D-27432 Bevern (DE)

(\*\*) Term: **14 Years**

(21) Appl. No.: **29/249,334**

(22) Filed: **Oct. 2, 2006**

(30) **Foreign Application Priority Data**

Apr. 5, 2006 (EM) ..... 000508429

(51) **LOC (8) Cl.** ..... **07-04**

(52) **U.S. Cl.** ..... **D7/672; D7/693; D7/666**

(58) **Field of Classification Search** ..... D7/672-675,  
D7/693, 665, 666; 99/537, 538, 541-565,  
99/495, 501-513, 588-599; 30/301, 302,  
30/113.1, 113.3; 241/273.1; 100/125, 213,  
100/283

See application file for complete search history.

(56) **References Cited**

**U.S. PATENT DOCUMENTS**

2,639,748 A	5/1953	Peel	
D185,317 S	5/1959	Ross	
D265,539 S	7/1982	Pavelka	
D266,566 S	10/1982	Schmid	
D280,690 S	9/1985	Bloxham	
4,606,263 A	8/1986	Ross et al.	
4,653,393 A *	3/1987	Ross	99/542
D316,656 S	5/1991	Hall	
D327,822 S	7/1992	Kong	

5,463,943 A *	11/1995	Knasel	99/542
5,957,045 A	9/1999	He et al.	
5,970,859 A *	10/1999	Lee	99/507
6,148,719 A	11/2000	Poltielov	
6,321,644 B1 *	11/2001	Kao	100/125
D458,518 S *	6/2002	Zarlengo	D7/666
D464,537 S	10/2002	Healy	

\* cited by examiner

*Primary Examiner*—Terry A Wallace

(74) *Attorney, Agent, or Firm*—Akerman Senterfitt; Peter A. Chiabotti; Stephan A. Pendorf

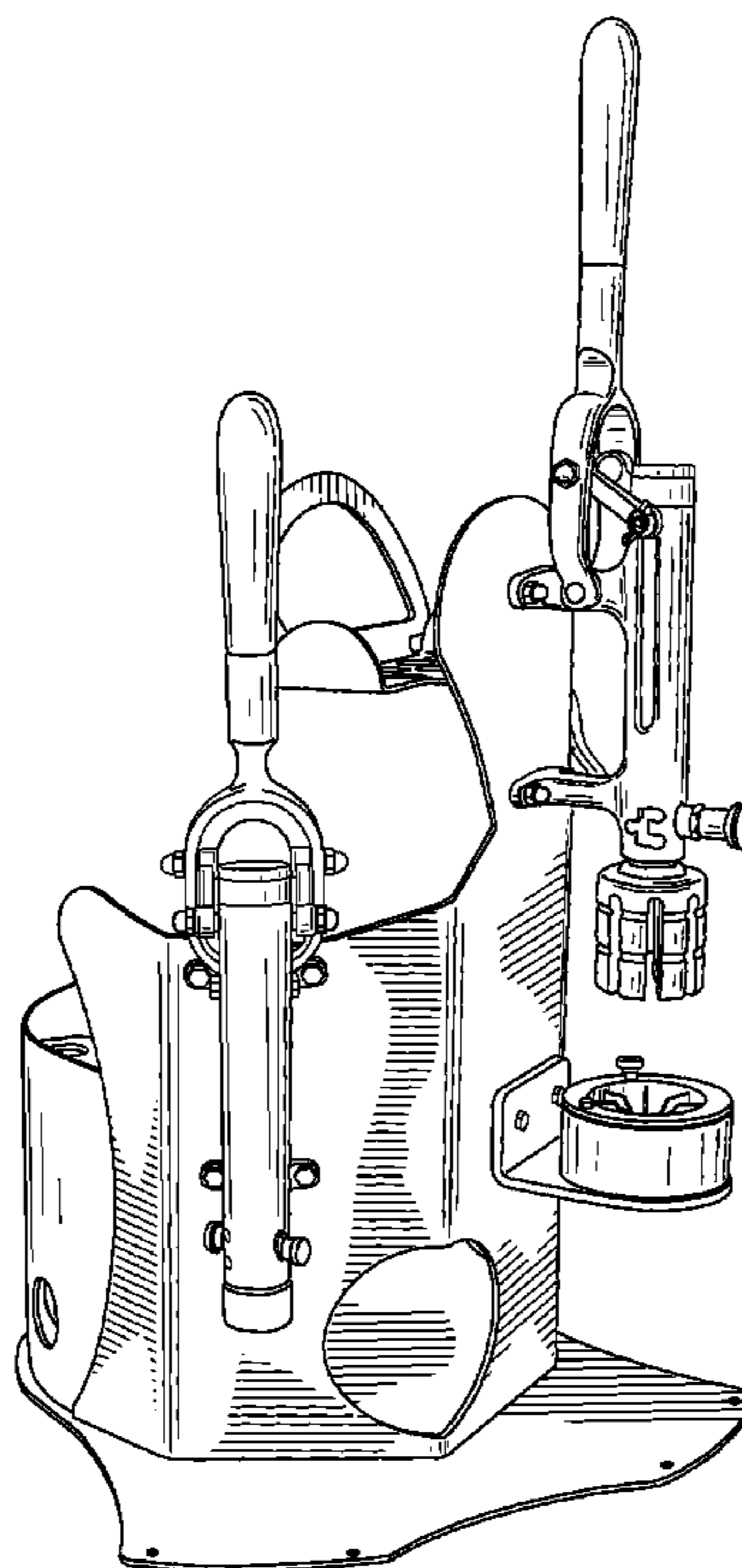
(57) **CLAIM**

The ornamental design for a combined slicer and juicer, as shown and described.

**DESCRIPTION**

FIG. 1 is a perspective view of my ornamental design;  
FIG. 2 is a front plan view of the ornamental design of FIG. 1;  
FIG. 3 is a rear plan view of the ornamental design of FIG. 1;  
FIG. 4 is a left elevation view of the ornamental design of FIG. 1;  
FIG. 5 is a right elevation view of the ornamental design of FIG. 1;  
FIG. 6 is a top view of the ornamental design of FIG. 1; and,  
FIG. 7 is a bottom view of the ornamental design of FIG. 1.

**1 Claim, 6 Drawing Sheets**



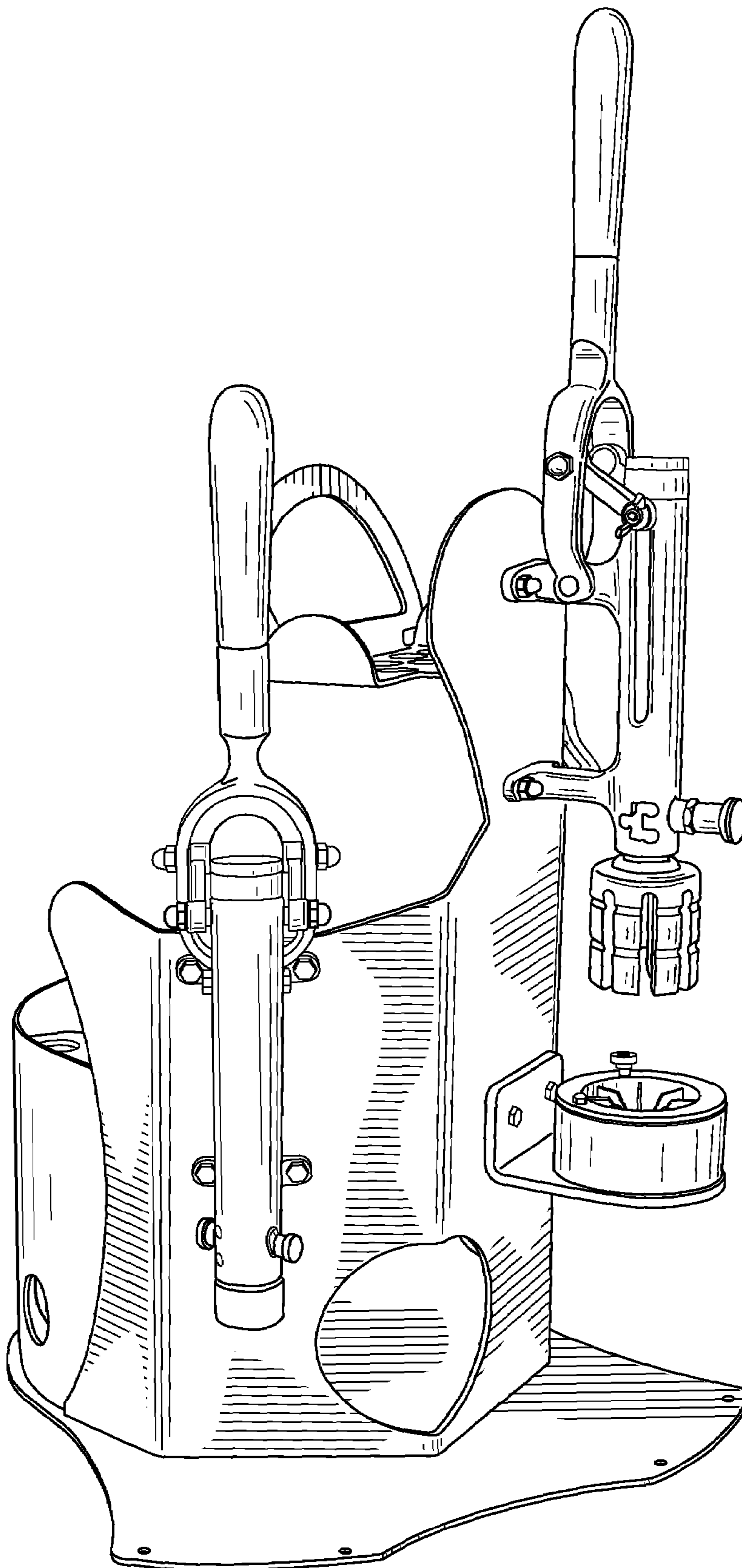
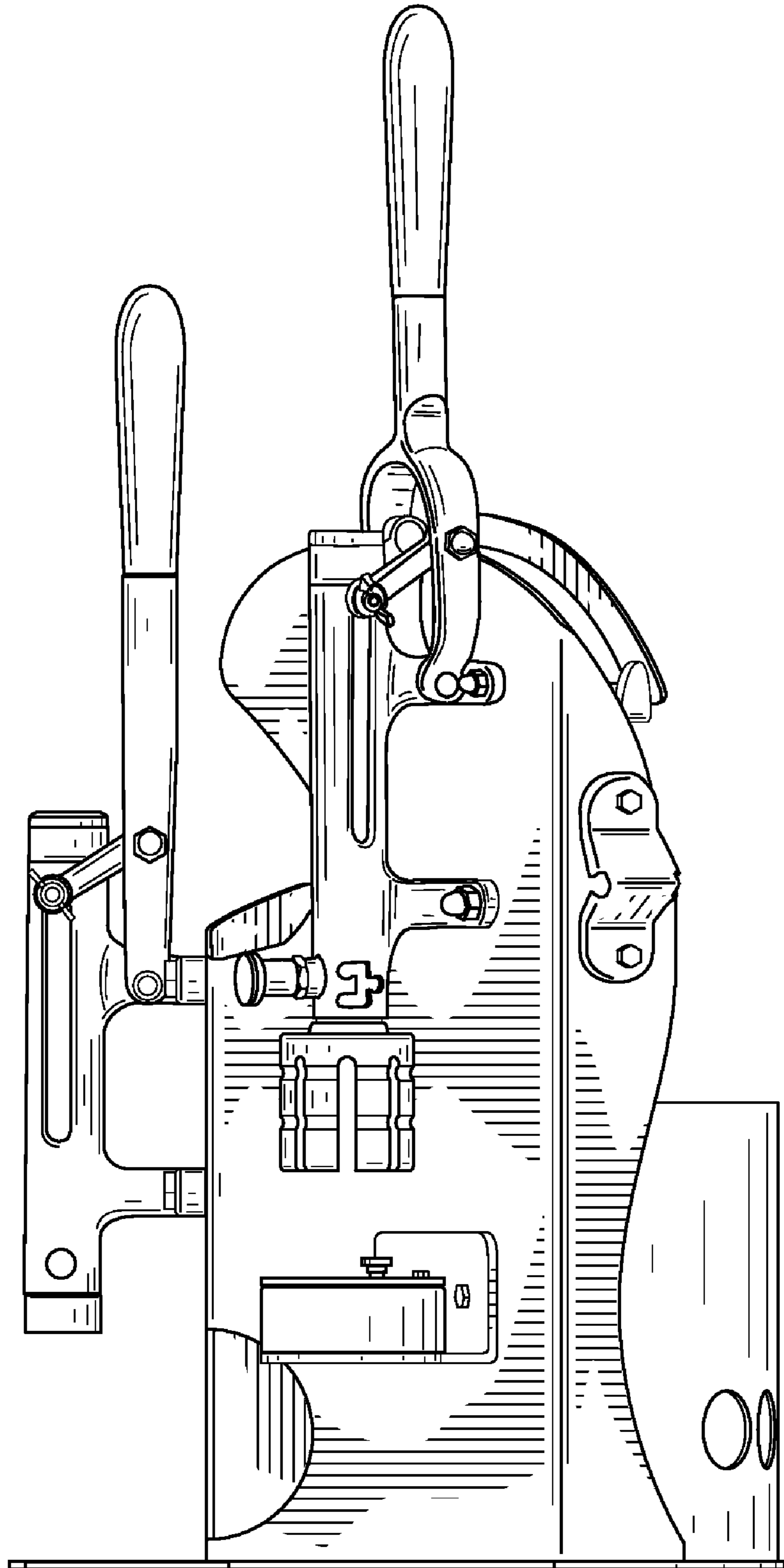
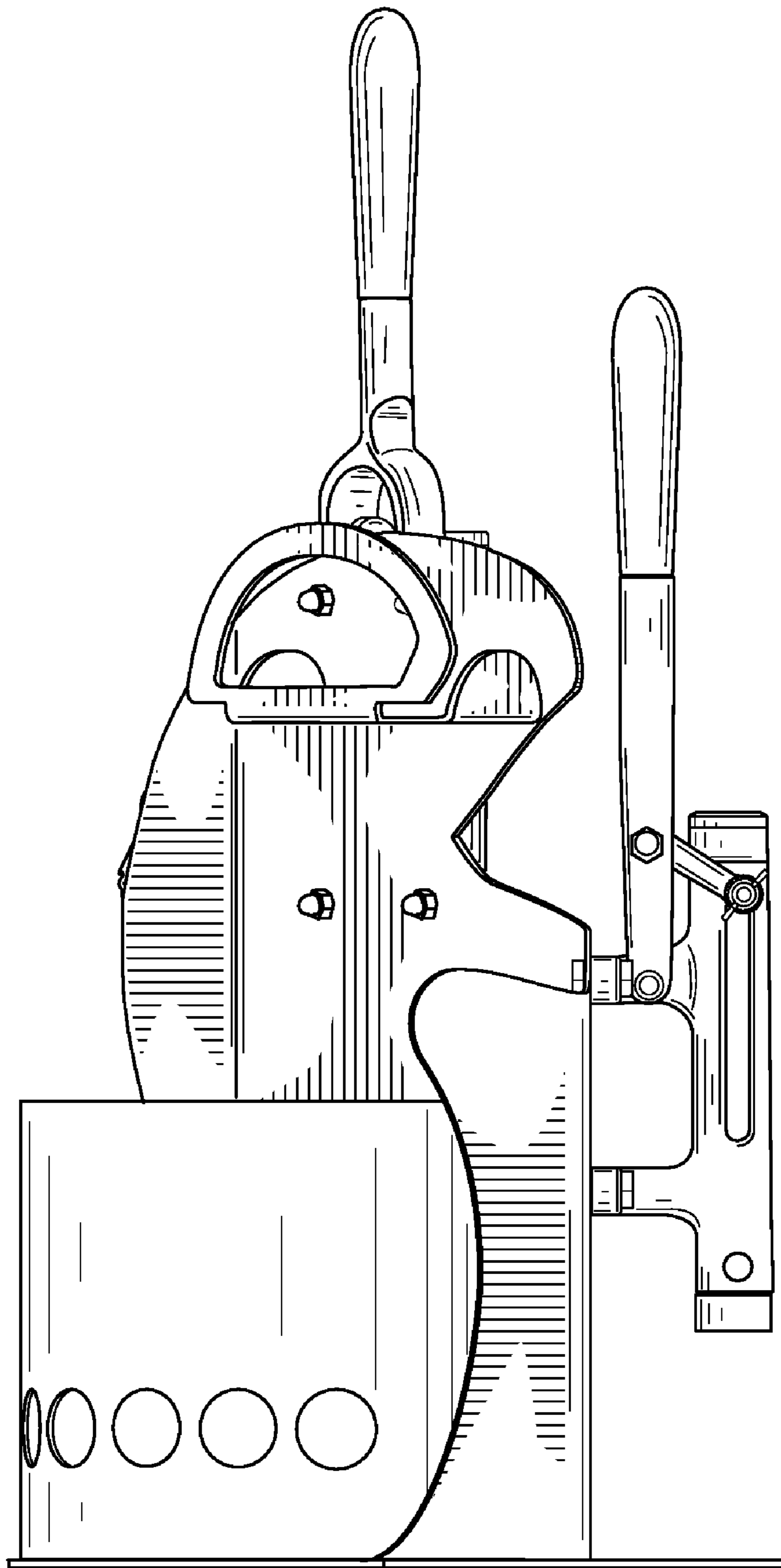


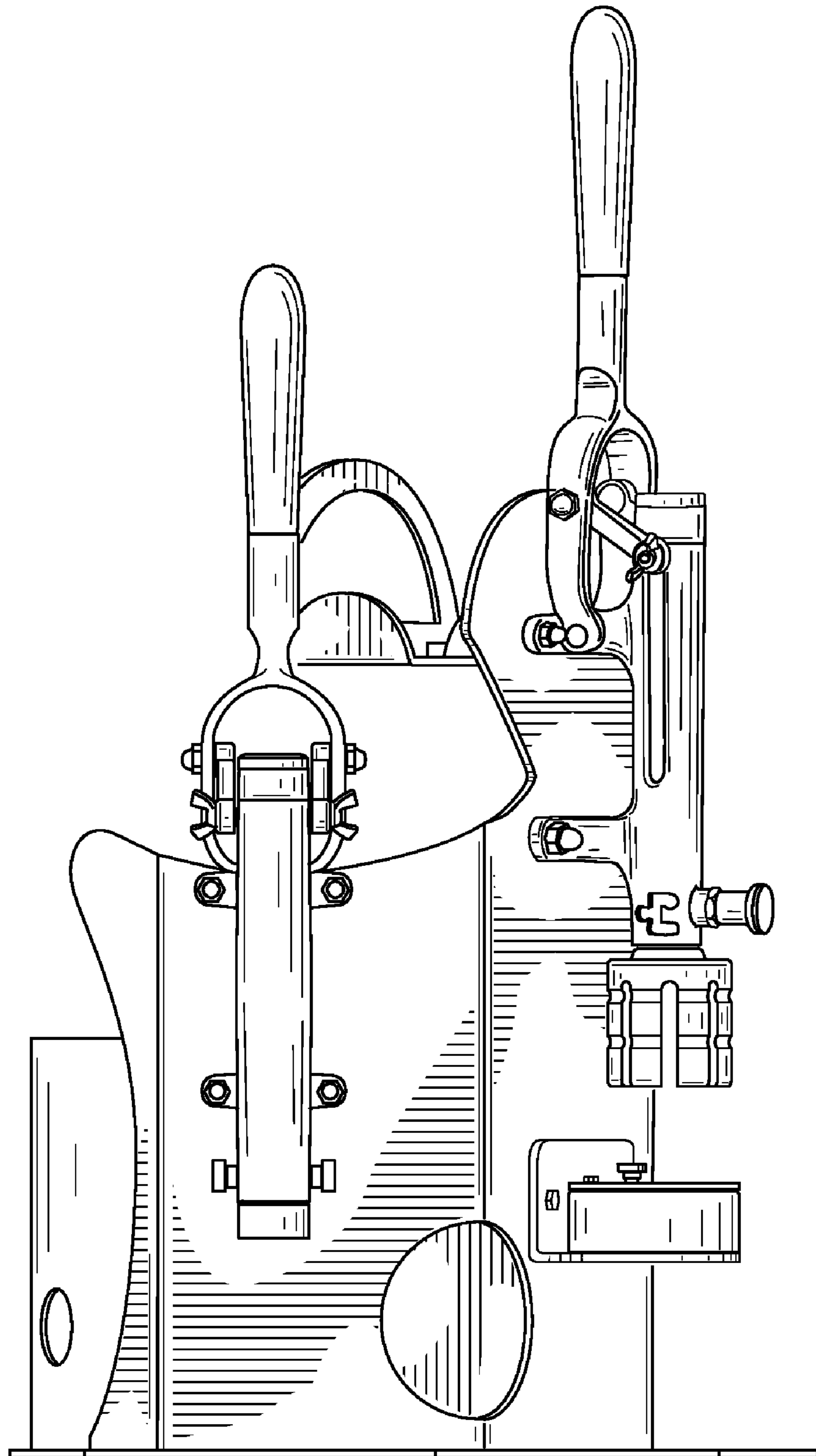
FIG. 1



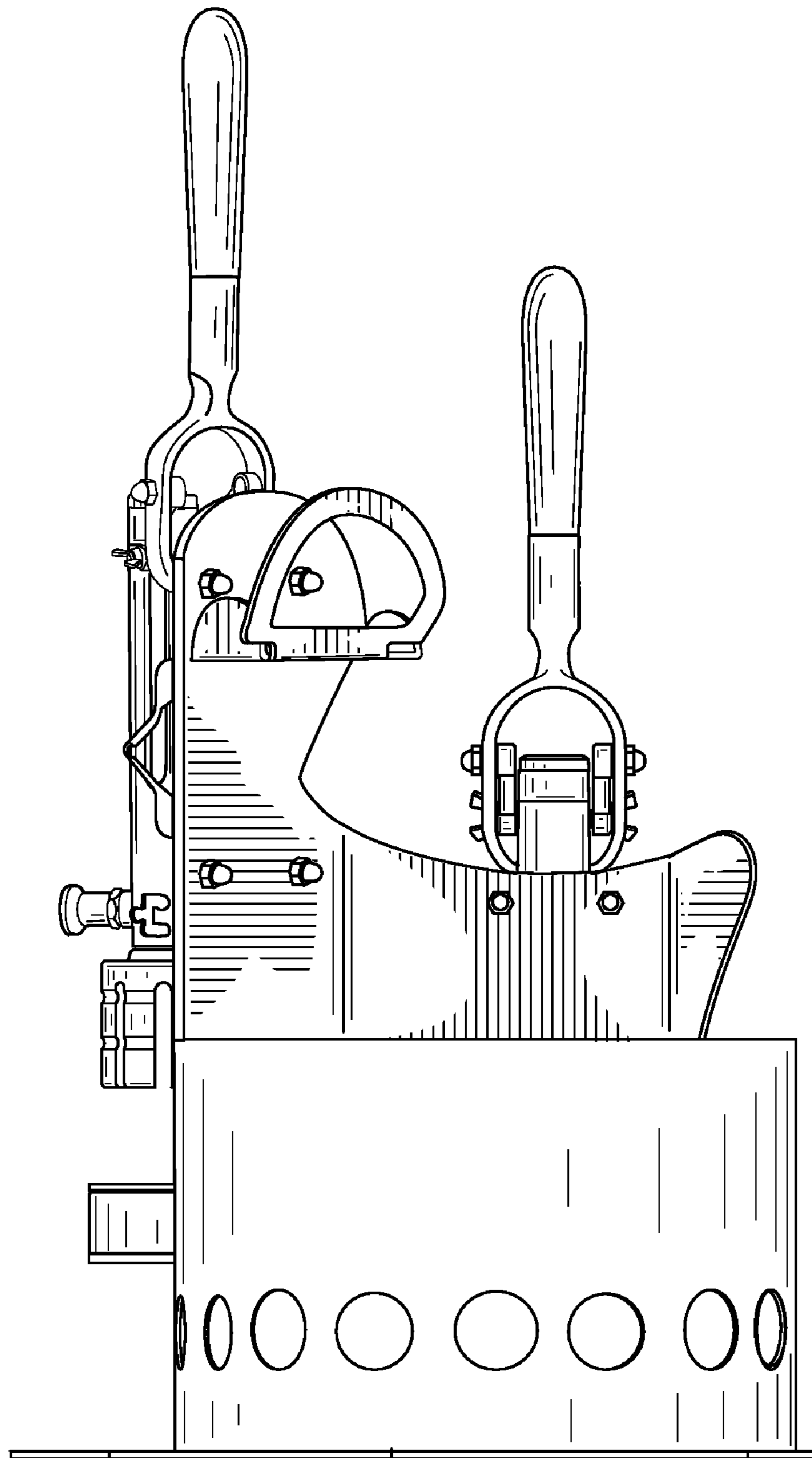
**FIG. 2**



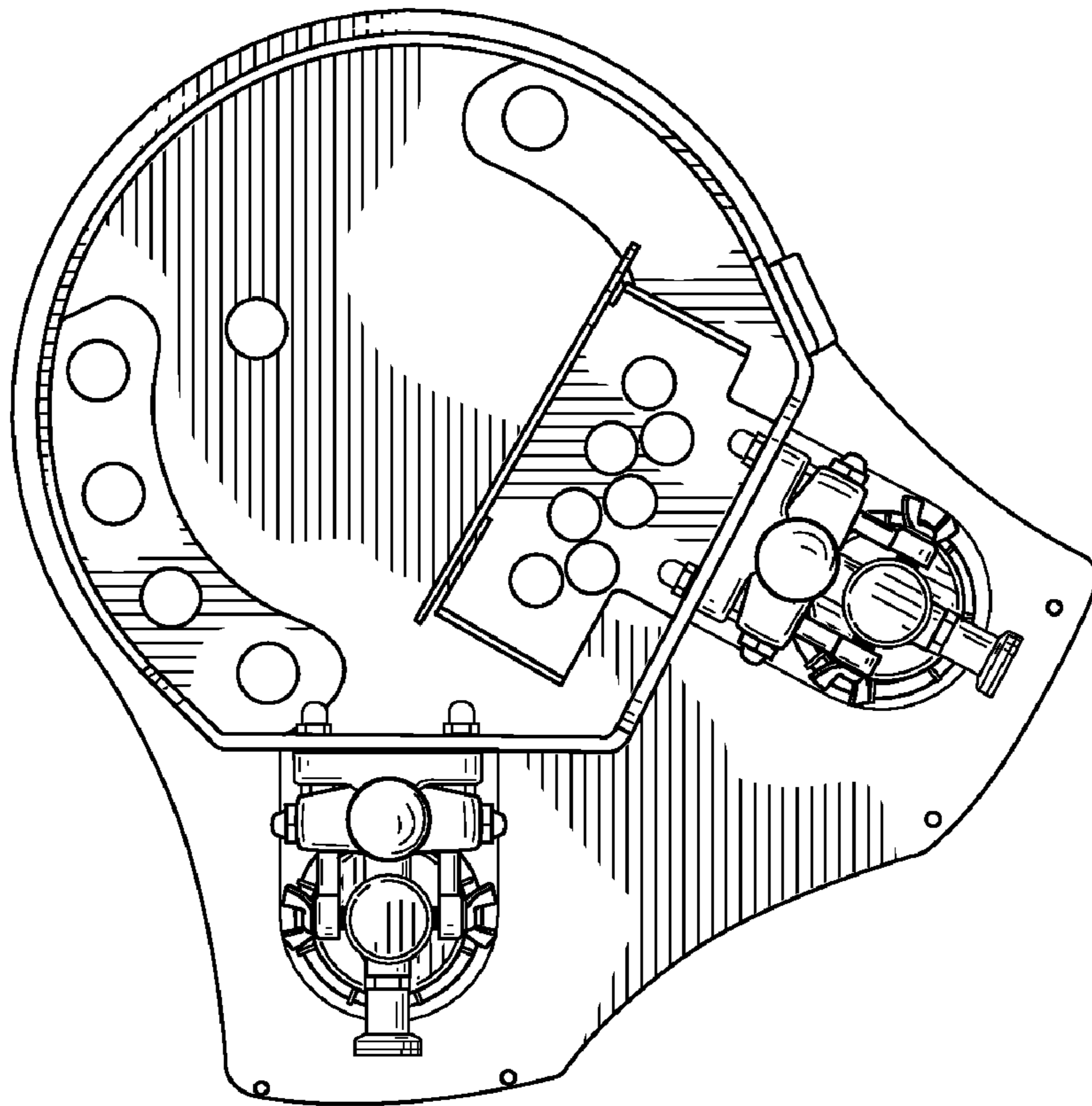
**FIG. 3**



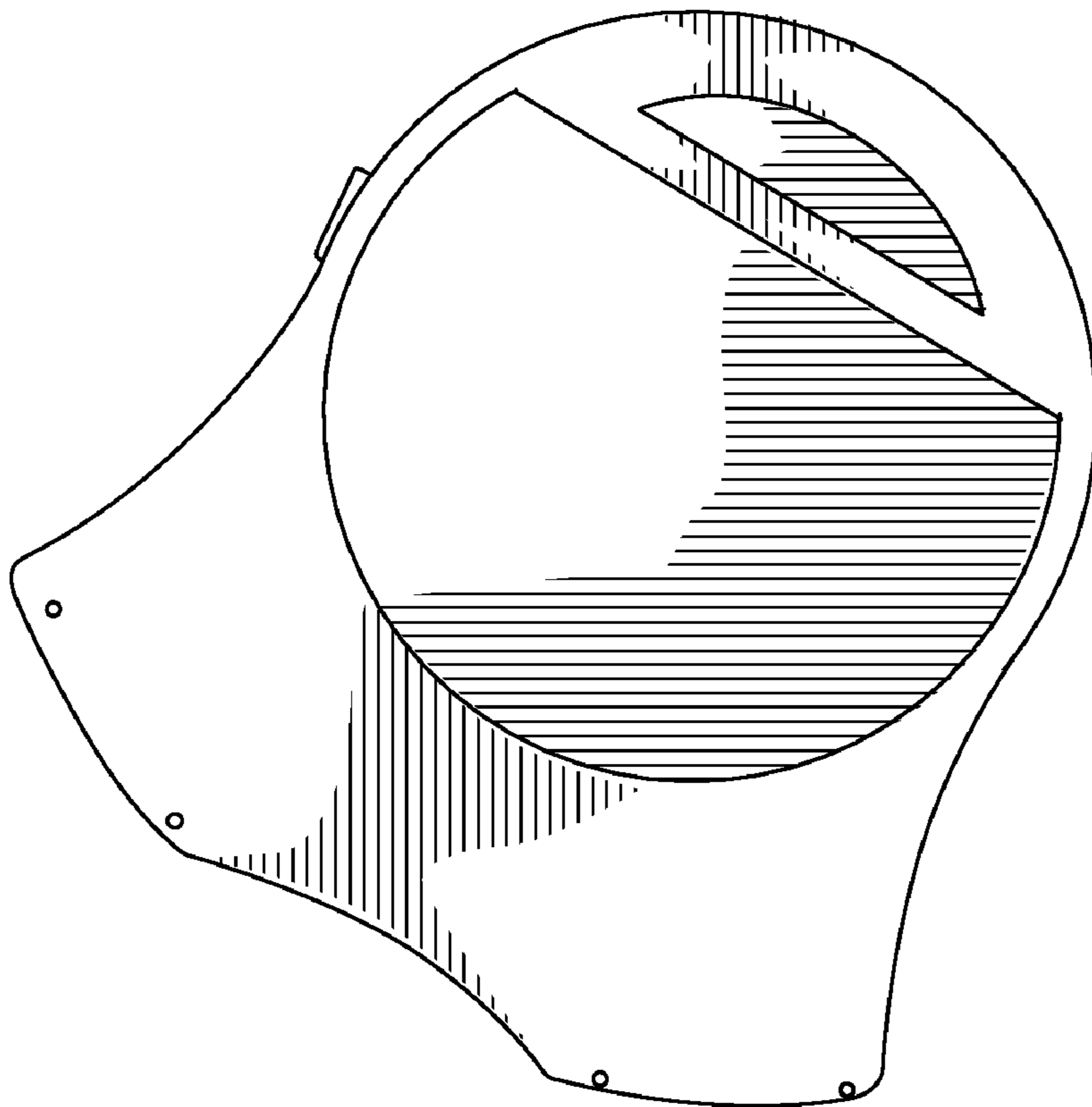
**FIG. 4**



**FIG. 5**



**FIG. 6**



**FIG. 7**