



US00D557993S

(12) **United States Design Patent**
Stamper et al.

(10) **Patent No.:** **US D557,993 S**

(45) **Date of Patent:** **** Dec. 25, 2007**

(54) **CONTAINER**

(57) **CLAIM**

(75) Inventors: **Leonard R. Stamper**, Foothill Ranch, CA (US); **Lily Chen**, Ningbo (CN)

The ornamental design for a container, as shown and described.

(73) Assignee: **LHS International, LLC, a California Limited Liability Co.**, Lake Forest, CA (US)

DESCRIPTION

(**) Term: **14 Years**

FIG. 1 is a perspective view of a first embodiment of the container of the invention with an optional pressure valve shown in dashed line format and forming no part of the invention hereof;

(21) Appl. No.: **29/273,294**

FIG. 2 is a top view;

(22) Filed: **Feb. 28, 2007**

FIG. 3 is a right side view, the left side view being a mirror image of the right side view;

(51) **LOC (8) Cl.** **07-07**

(52) **U.S. Cl.** **D7/629**

(58) **Field of Classification Search** D7/629,
D7/601, 602, 630, 538-542; D9/414, 761,
D9/428-432; 229/406, 407; 220/203.01,
220/780-796

FIG. 4 is a bottom view;

FIG. 5 is a front view;

FIG. 6 is a rear view;

See application file for complete search history.

FIG. 7 is a perspective view of a second embodiment of the container of the invention with an optional pressure valve shown in dashed line format and forming no part of the invention hereof;

(56) **References Cited**

U.S. PATENT DOCUMENTS

- D350,880 S * 9/1994 VanValkenburg et al. D7/629
- 6,170,696 B1 * 1/2001 Tucker et al. 220/793
- D446,085 S * 8/2001 Dretzka D7/629
- D449,495 S * 10/2001 Tucker et al. D7/629
- D489,975 S * 5/2004 Jackson et al. D9/425
- D505,840 S * 6/2005 Schultz et al. D7/629

FIG. 8 is a top view;

FIG. 9 is a right side view, the left side view being a mirror image of the right side view;

FIG. 10 is a bottom view;

* cited by examiner

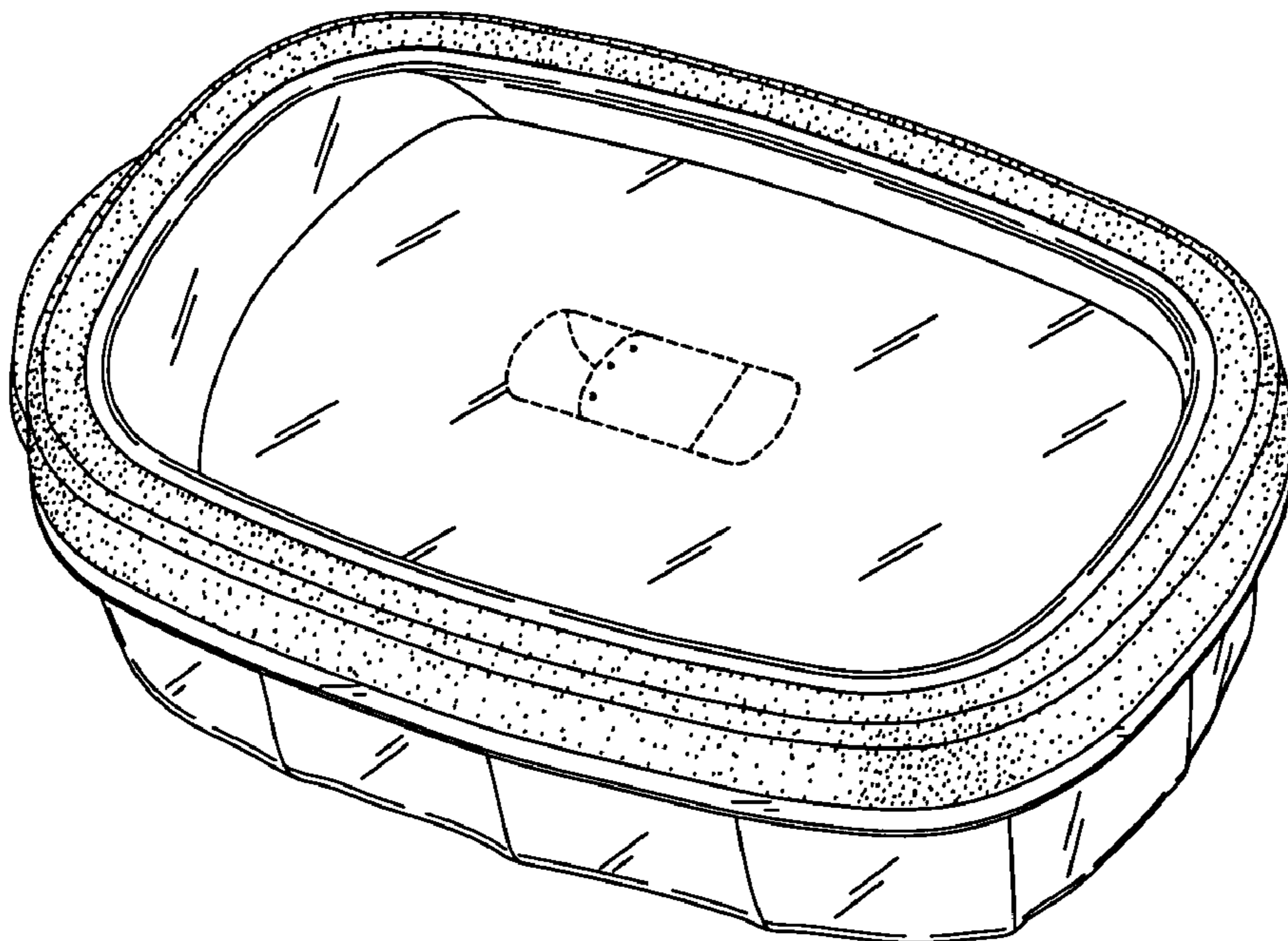
FIG. 11 is a front view; and,

FIG. 12 is a rear view.

Primary Examiner—Terry A Wallace

(74) *Attorney, Agent, or Firm*—Curtis L. Harrington; Kathy E. Harrington; Harrington & Harrington

1 Claim, 4 Drawing Sheets



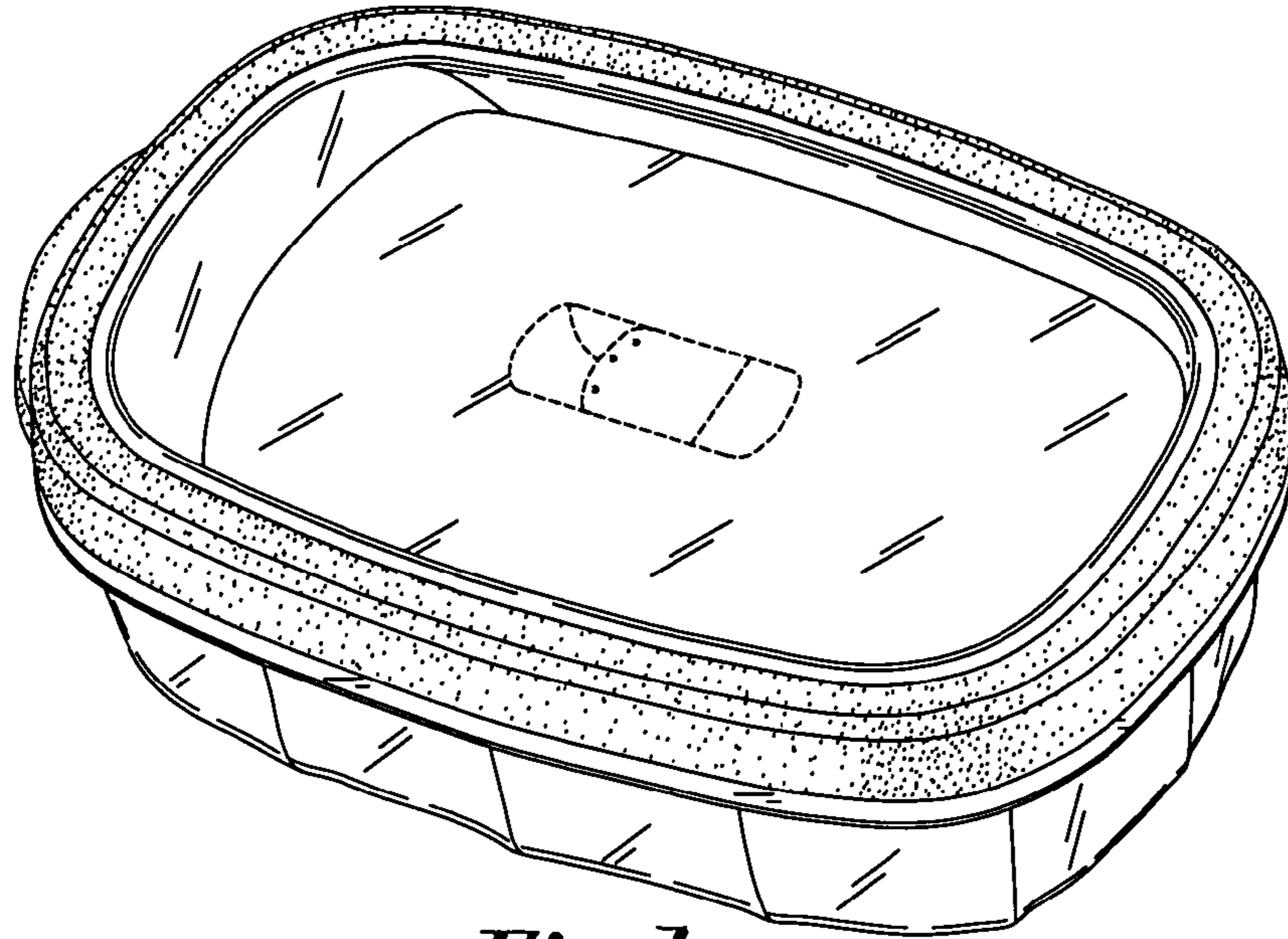


Fig. 1

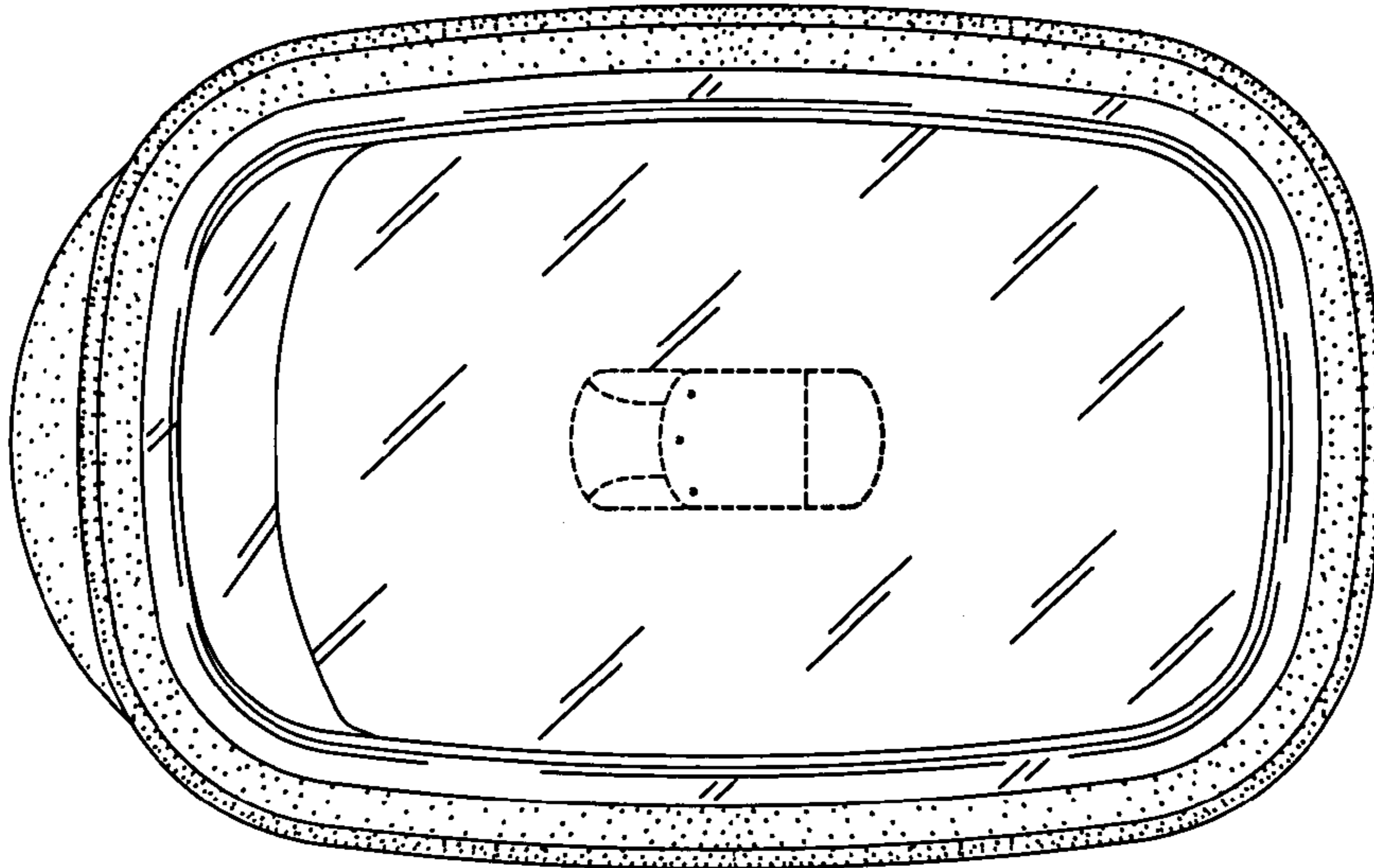


Fig. 2

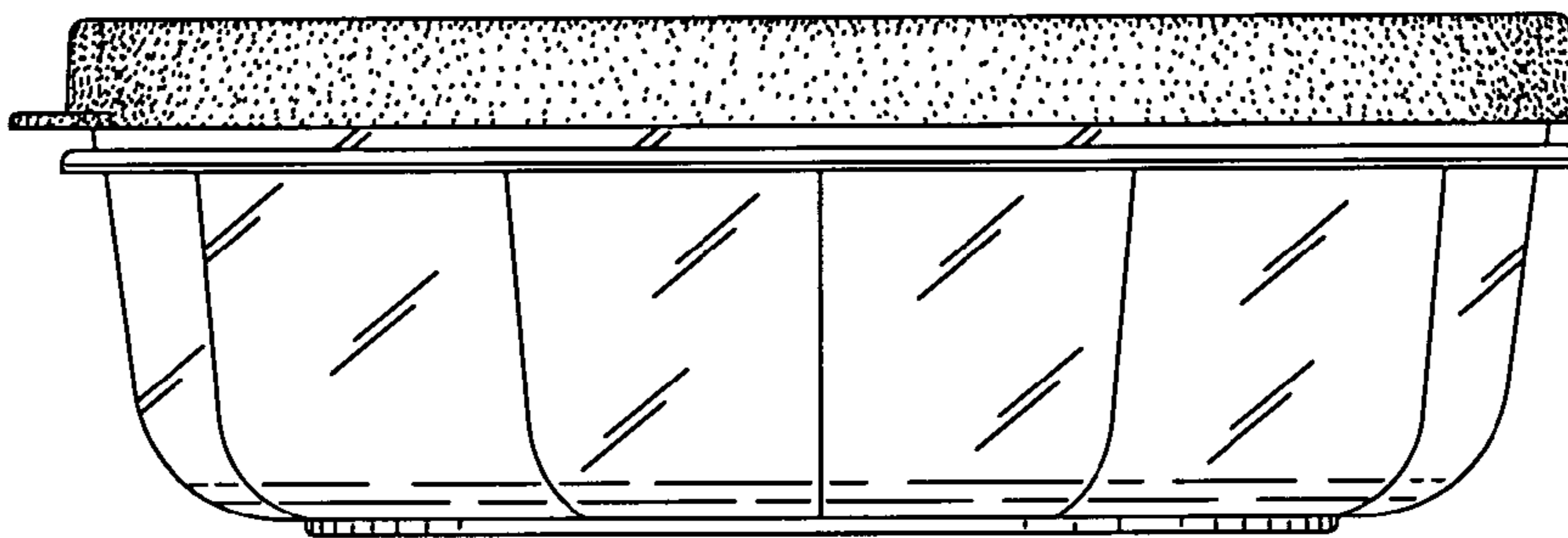


Fig. 3

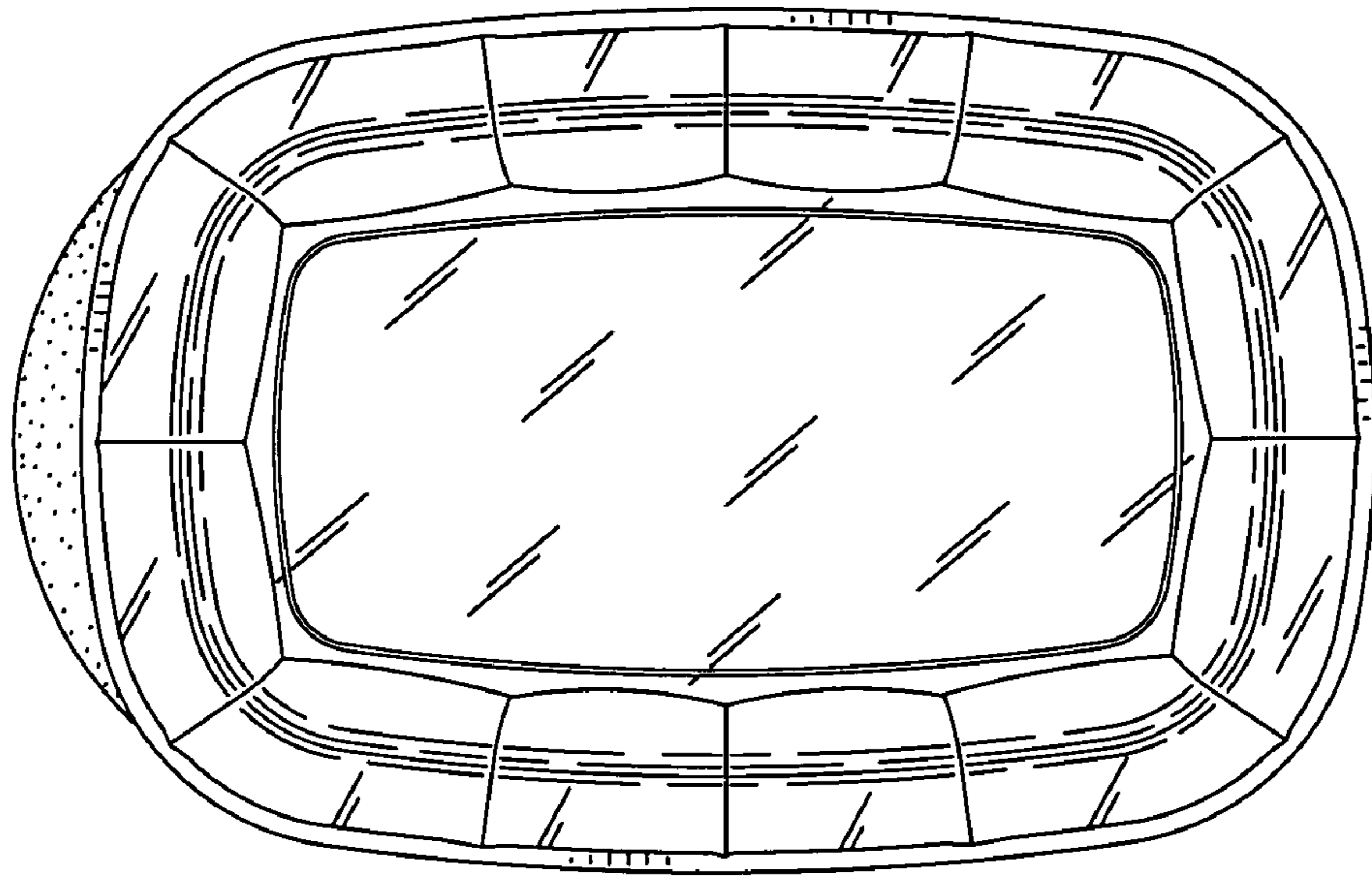


Fig. 4

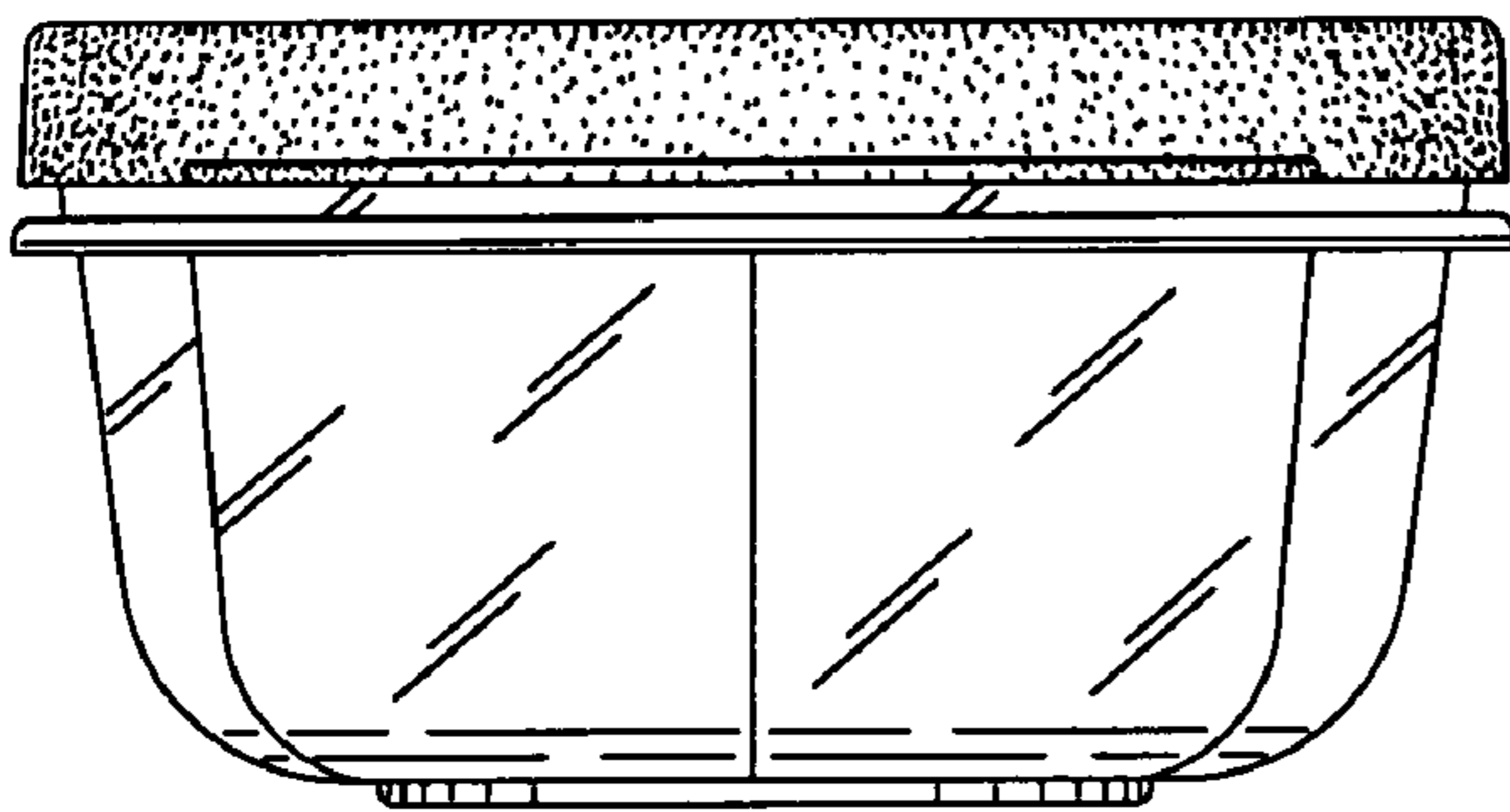


Fig. 5

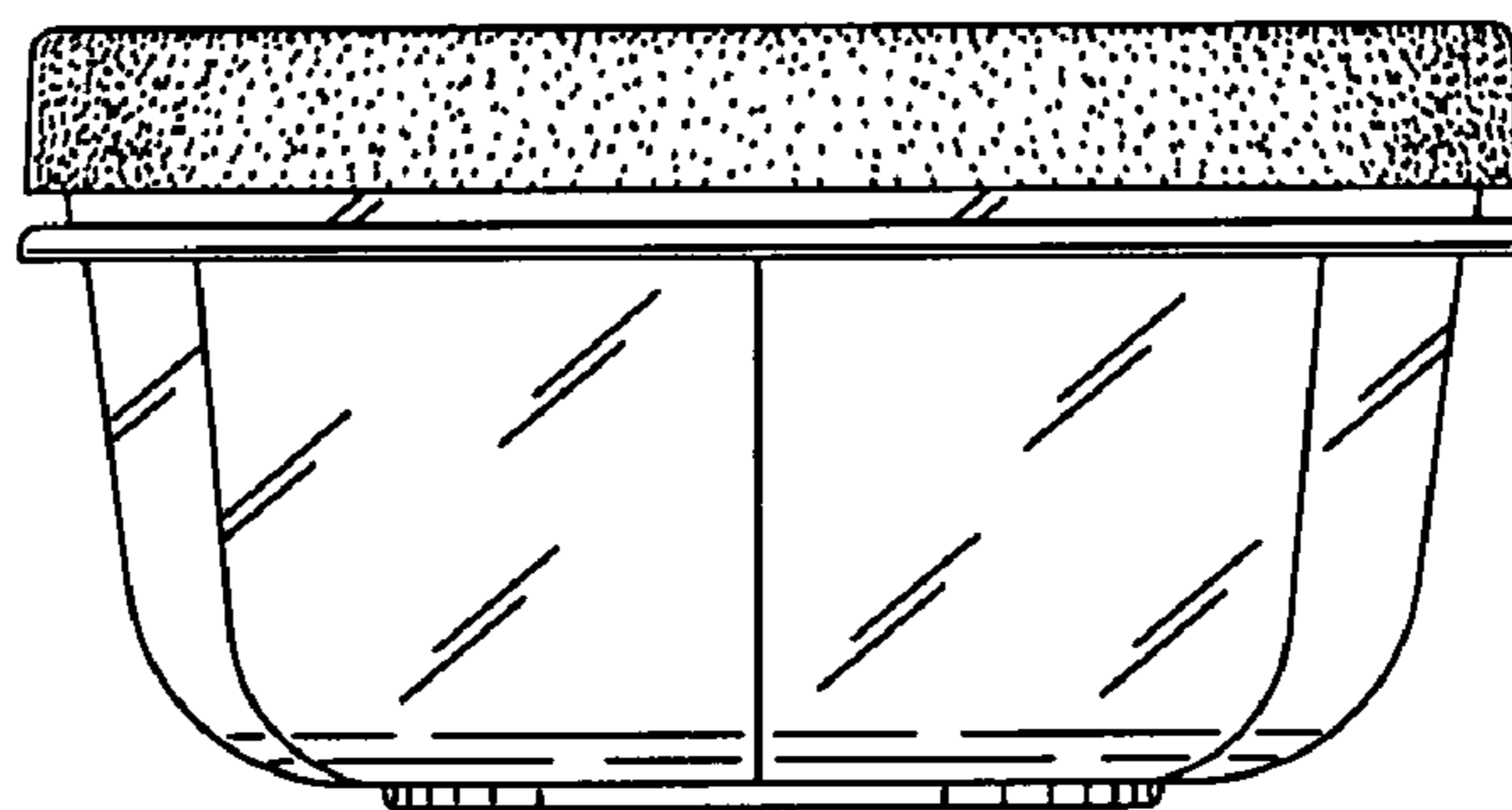


Fig. 6

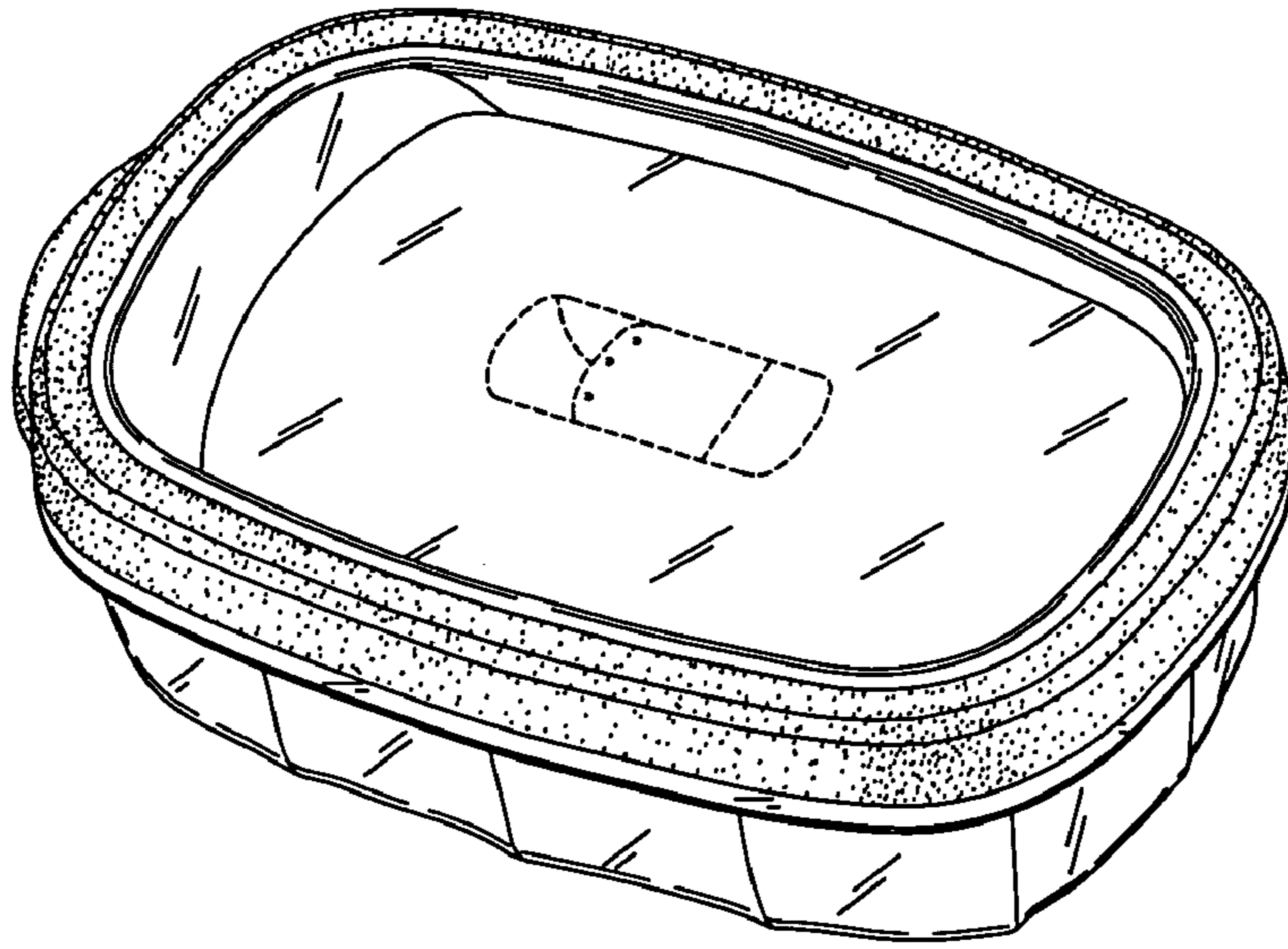


Fig. 7

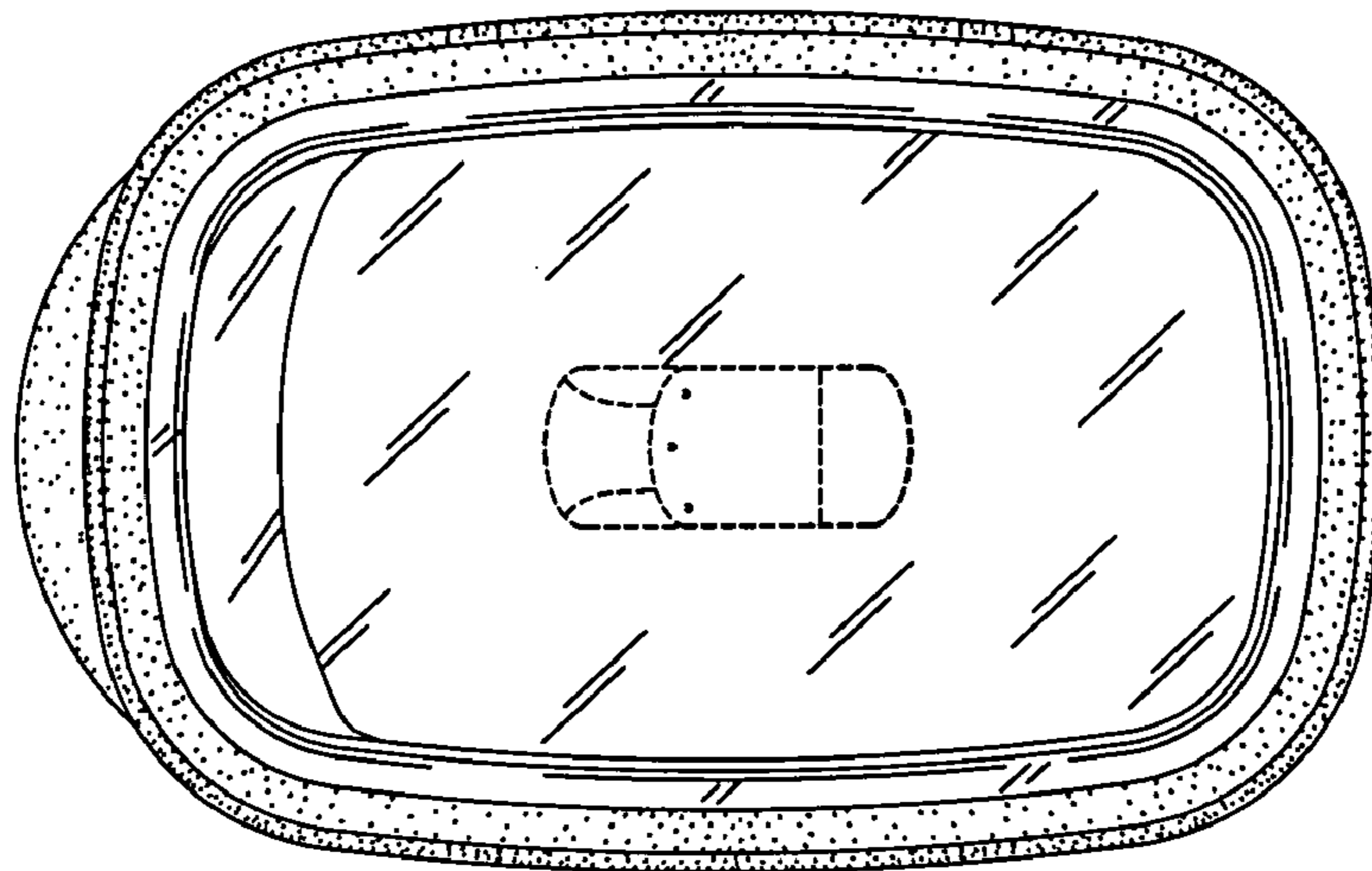


Fig. 8

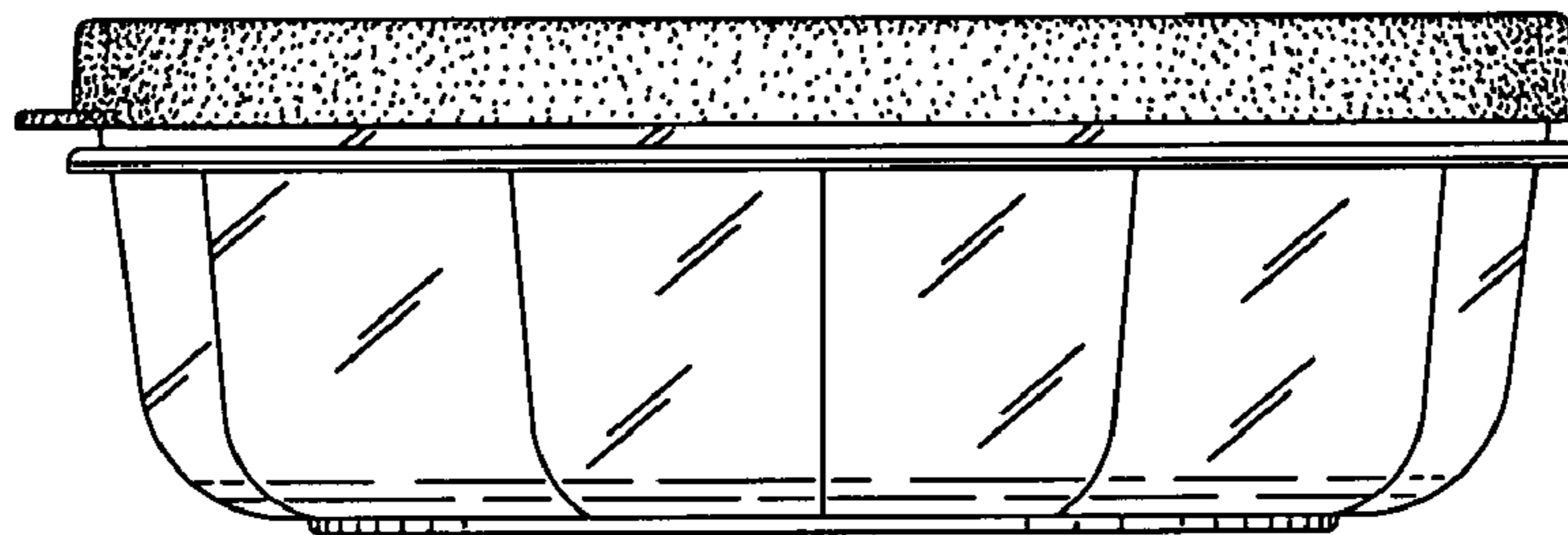


Fig. 9

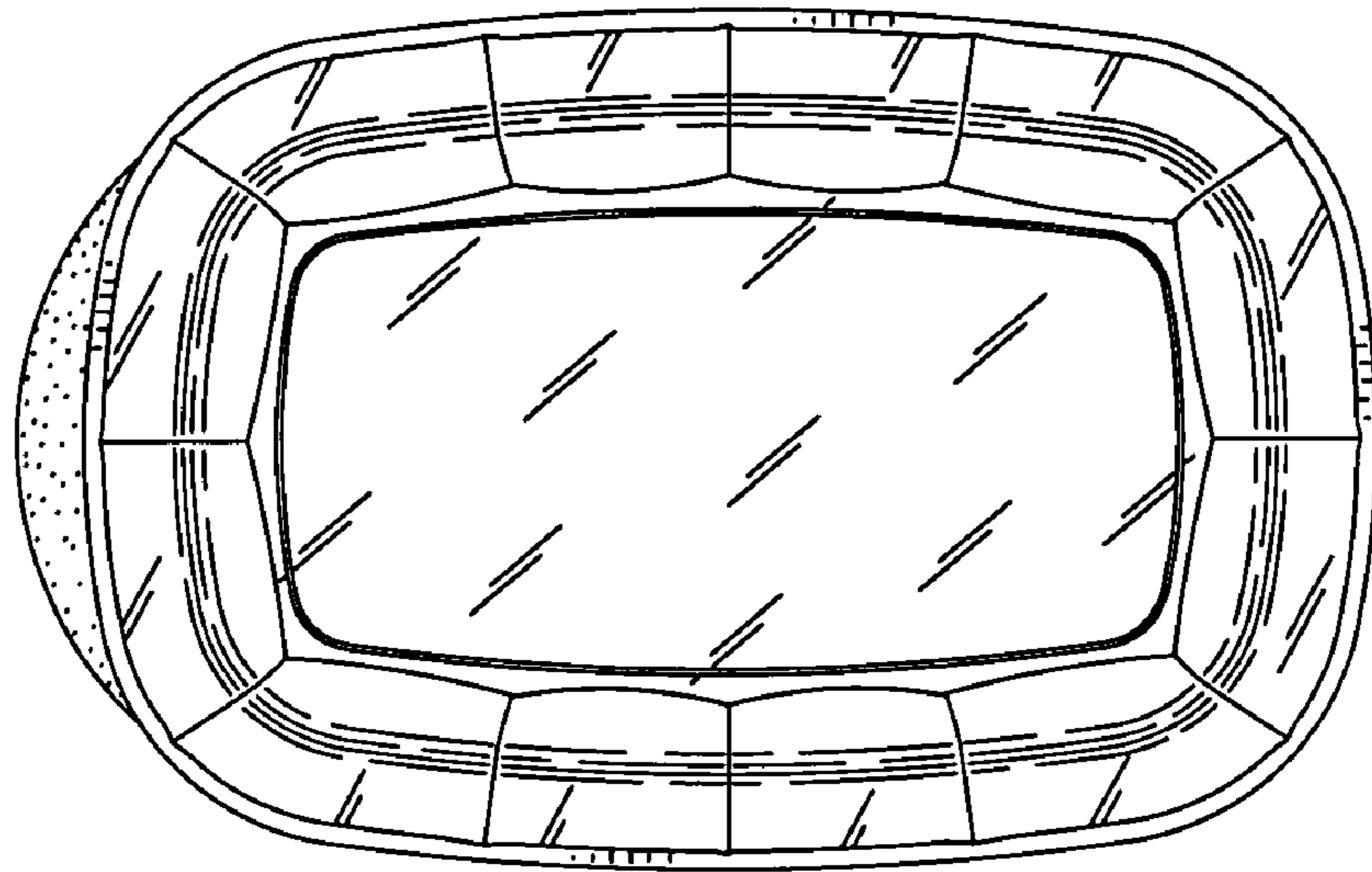


Fig. 10

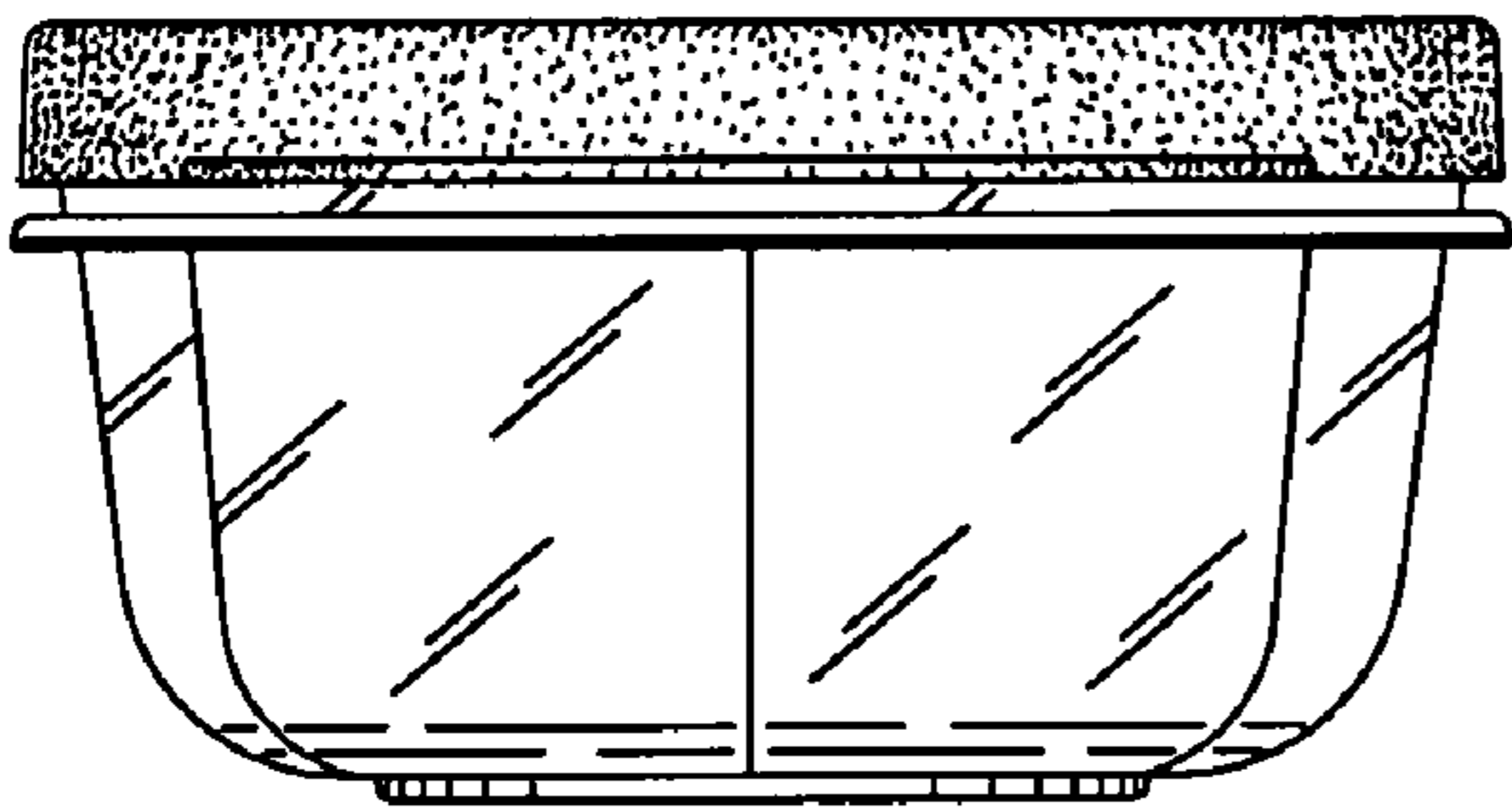


Fig. 11

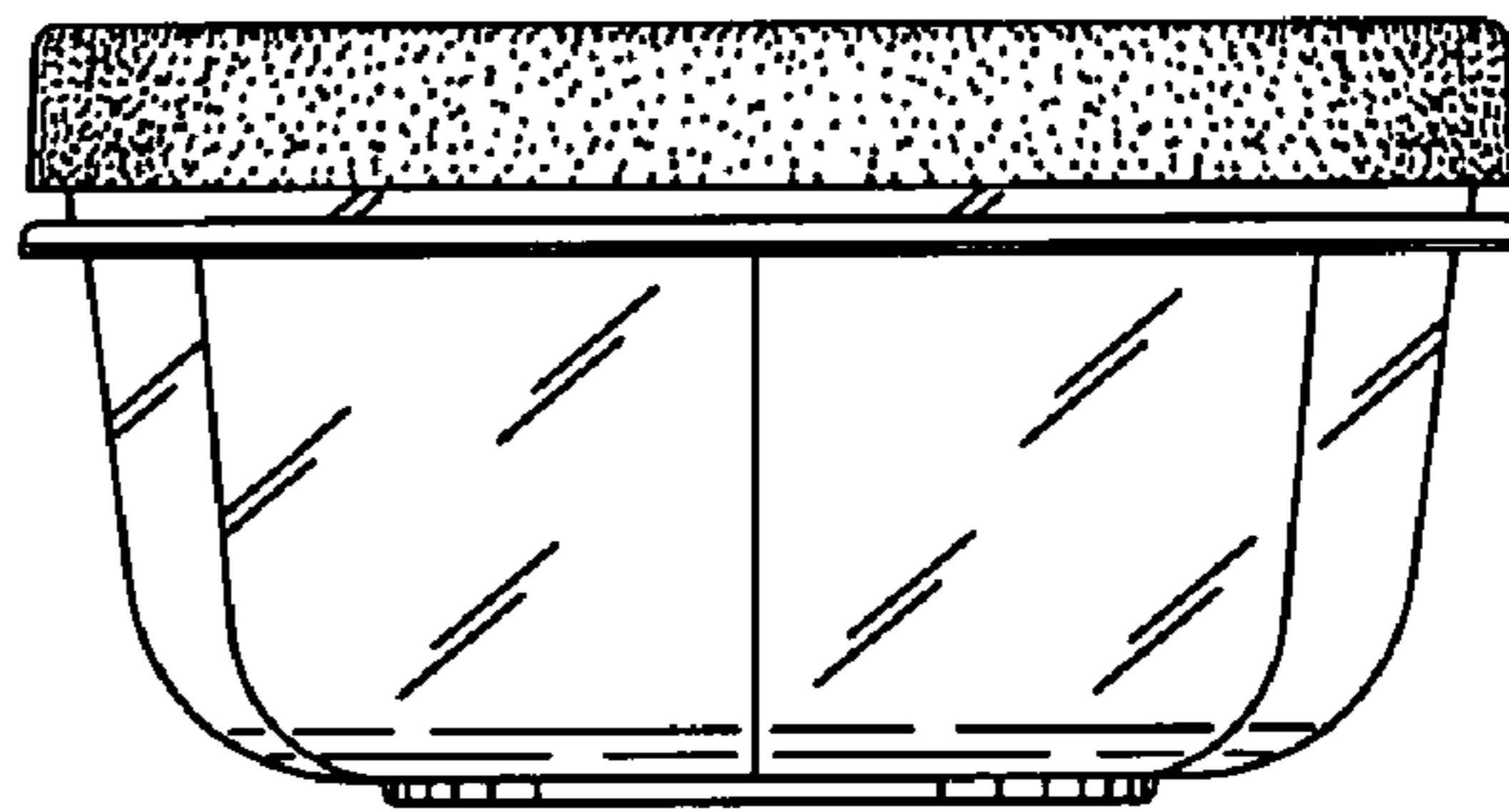


Fig. 12