



US00D557992S

(12) **United States Design Patent** (10) **Patent No.:** **US D557,992 S**
Stamper et al. (45) **Date of Patent:** **** Dec. 25, 2007**

(54) **CONTAINER**

D475,897 S * 6/2003 Zettle et al. D7/629
D491,024 S * 6/2004 Welsh D7/629
D506,106 S * 6/2005 Ordiway et al. D7/629

(75) Inventors: **Leonard R. Stamper**, Foothill Ranch, CA (US); **Lily Chen**, Ningbo (CN)

* cited by examiner

(73) Assignee: **LHS International, LLC, a California Limited Liability Co.**, Lake Forest, CA (US)

Primary Examiner—Terry A Wallace
(74) *Attorney, Agent, or Firm*—Curtis L. Harrington; Kathy E. Harrington; Harrington & Harrington

(**) Term: **14 Years**

(57) **CLAIM**

(21) Appl. No.: **29/273,293**

The ornamental design for an container, as shown and described.

(22) Filed: **Feb. 28, 2007**

(51) **LOC (8) Cl.** **07-07**

(52) **U.S. Cl.** **D7/629**

(58) **Field of Classification Search** D7/629,
D7/601, 602, 630, 538-542; D9/414, 761,
D9/428-432; 229/406, 407; 220/203.01,
220/780-796

See application file for complete search history.

DESCRIPTION

FIG. 1 is a perspective view of the container showing our new design, the optional pressure valve in the lid is shown in broken lines for illustrative purposes only and forms no part of the claimed design;

FIG. 2 is a top view;

FIG. 3 is a right side view, the left side view being a mirror image of the right side view;

FIG. 4 is a bottom view;

FIG. 5 is a front view; and,

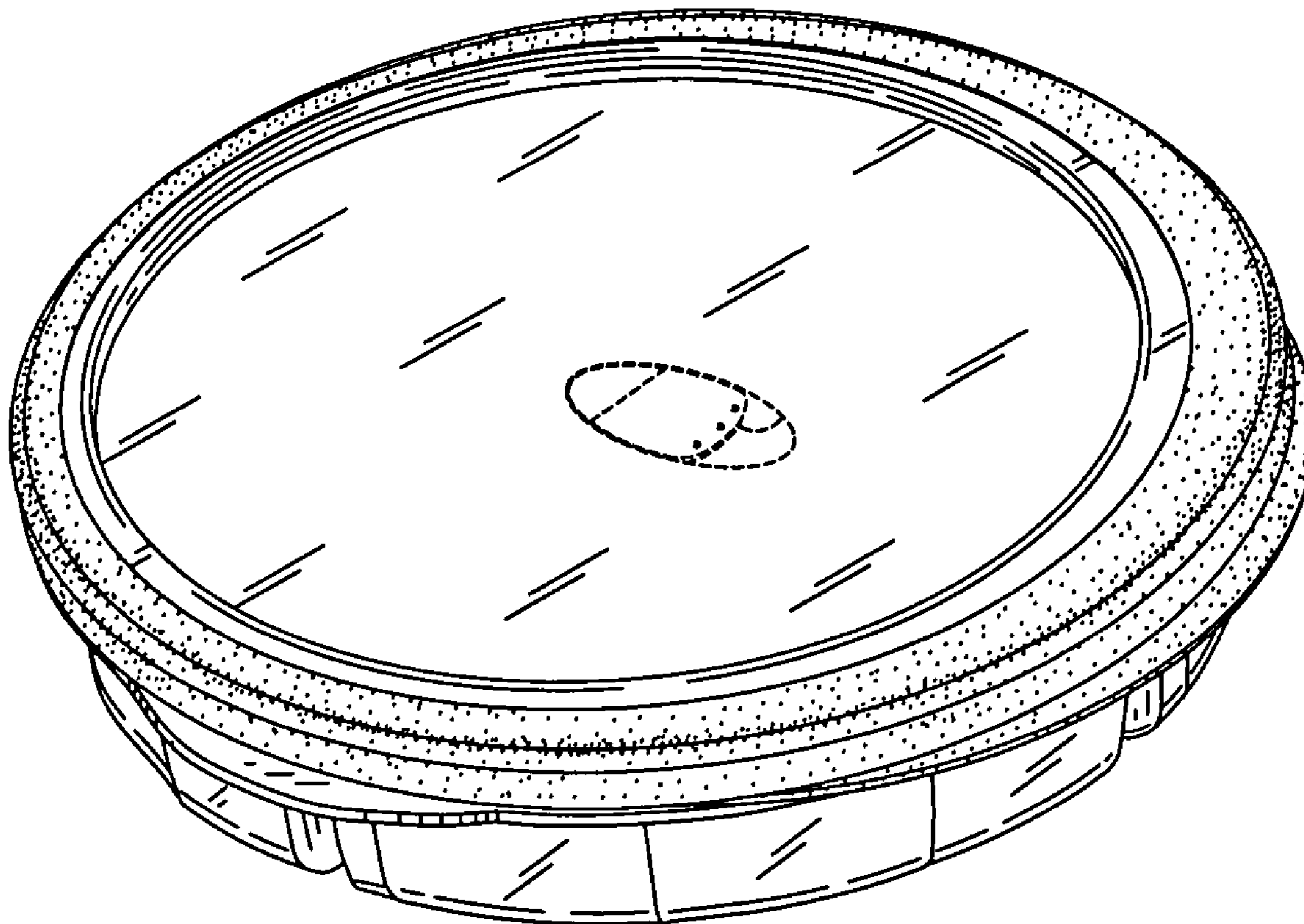
FIG. 6 is a rear view.

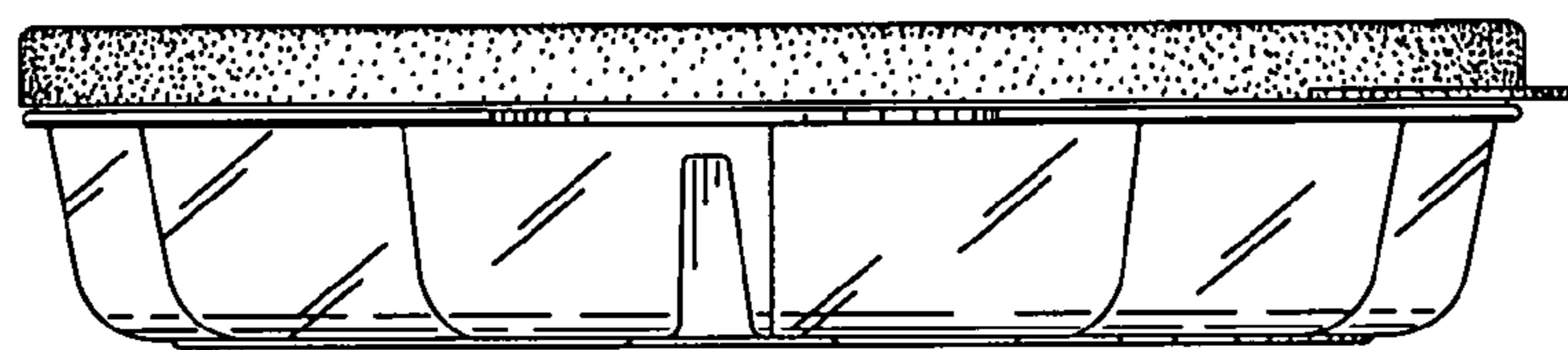
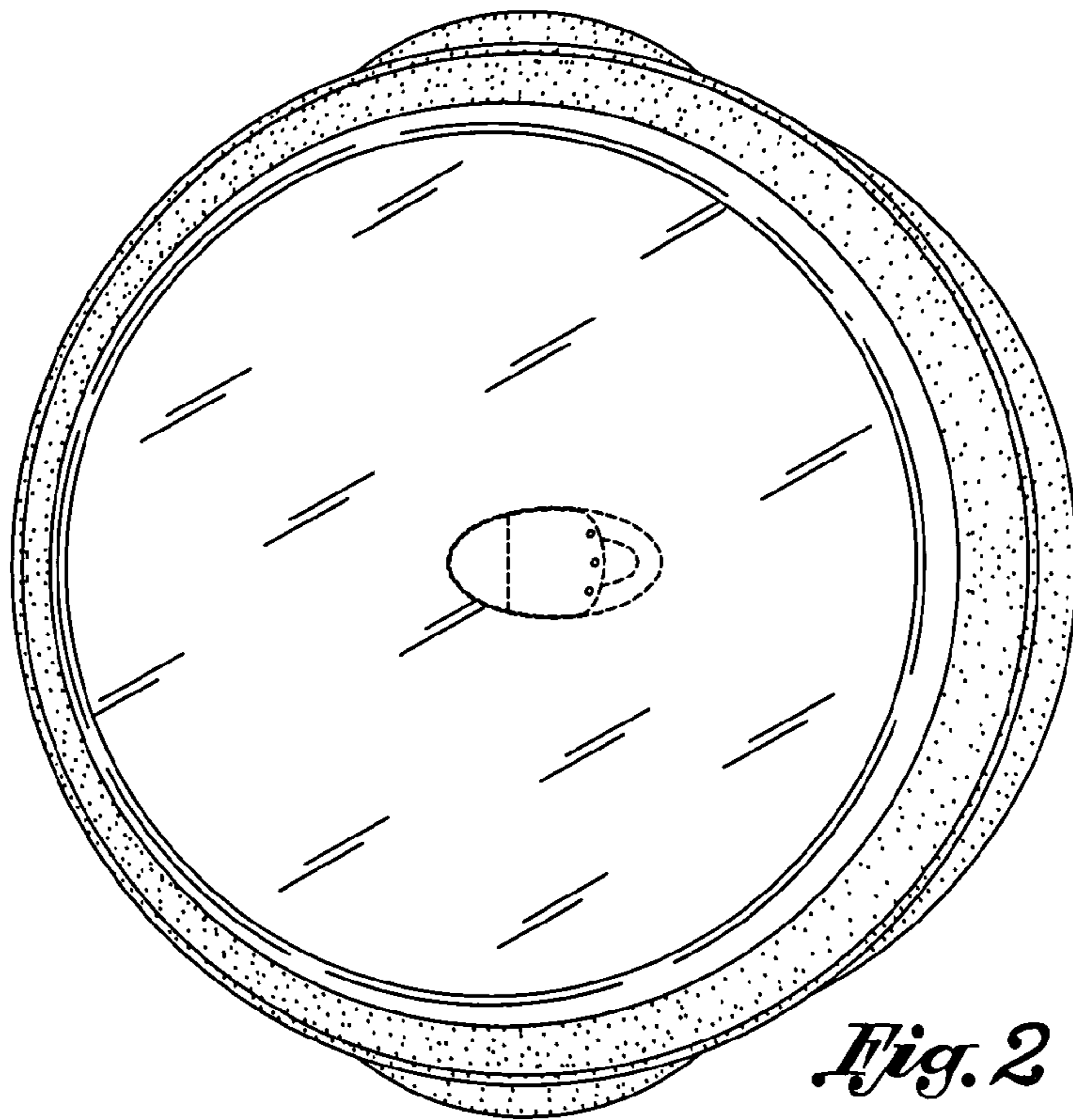
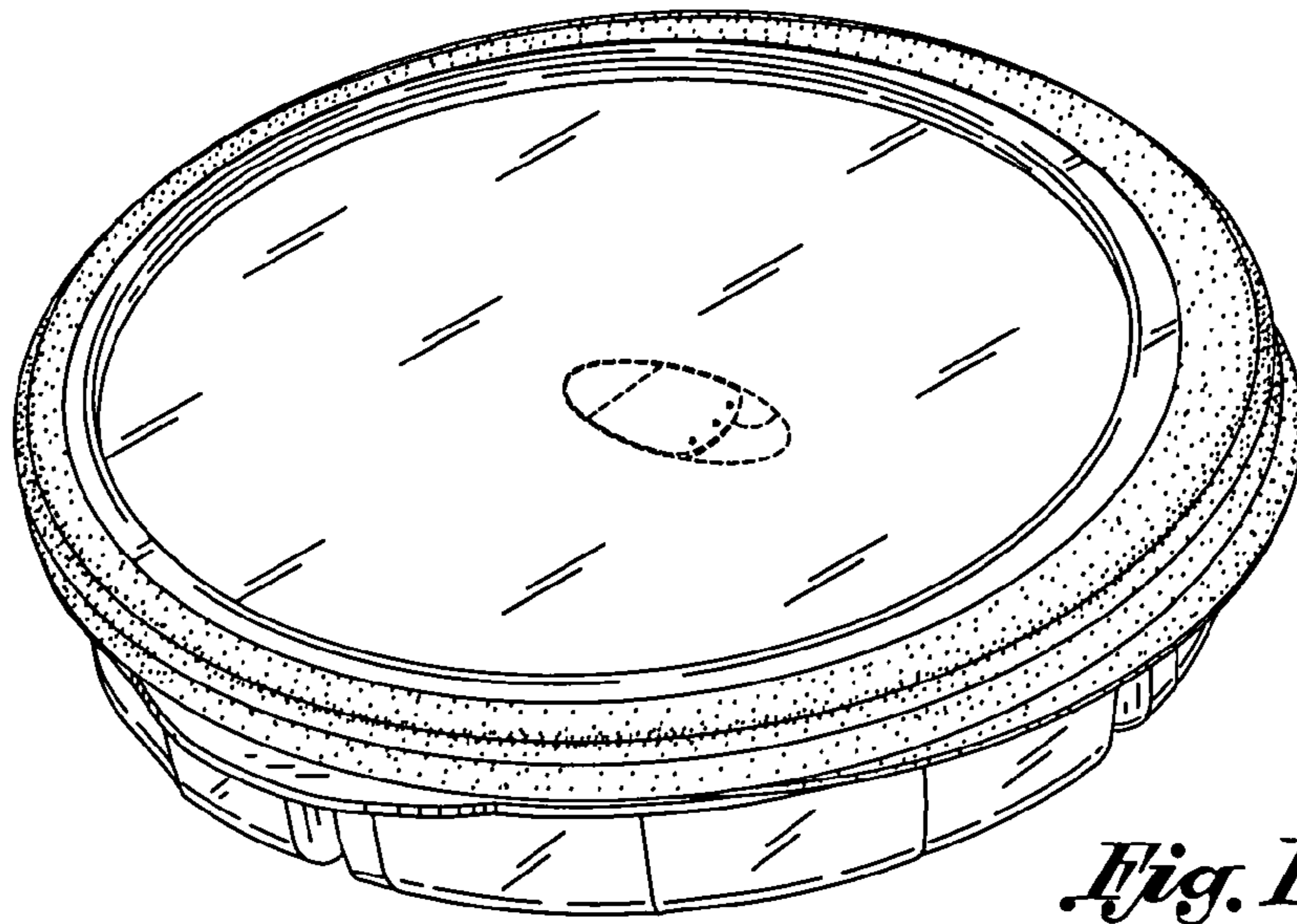
(56) **References Cited**

U.S. PATENT DOCUMENTS

4,471,880 A * 9/1984 Taylor et al. 220/792
D287,802 S * 1/1987 Daenen D7/540
D352,423 S * 11/1994 Laib D7/538
D376,295 S * 12/1996 Ahern et al. D7/549

1 Claim, 2 Drawing Sheets





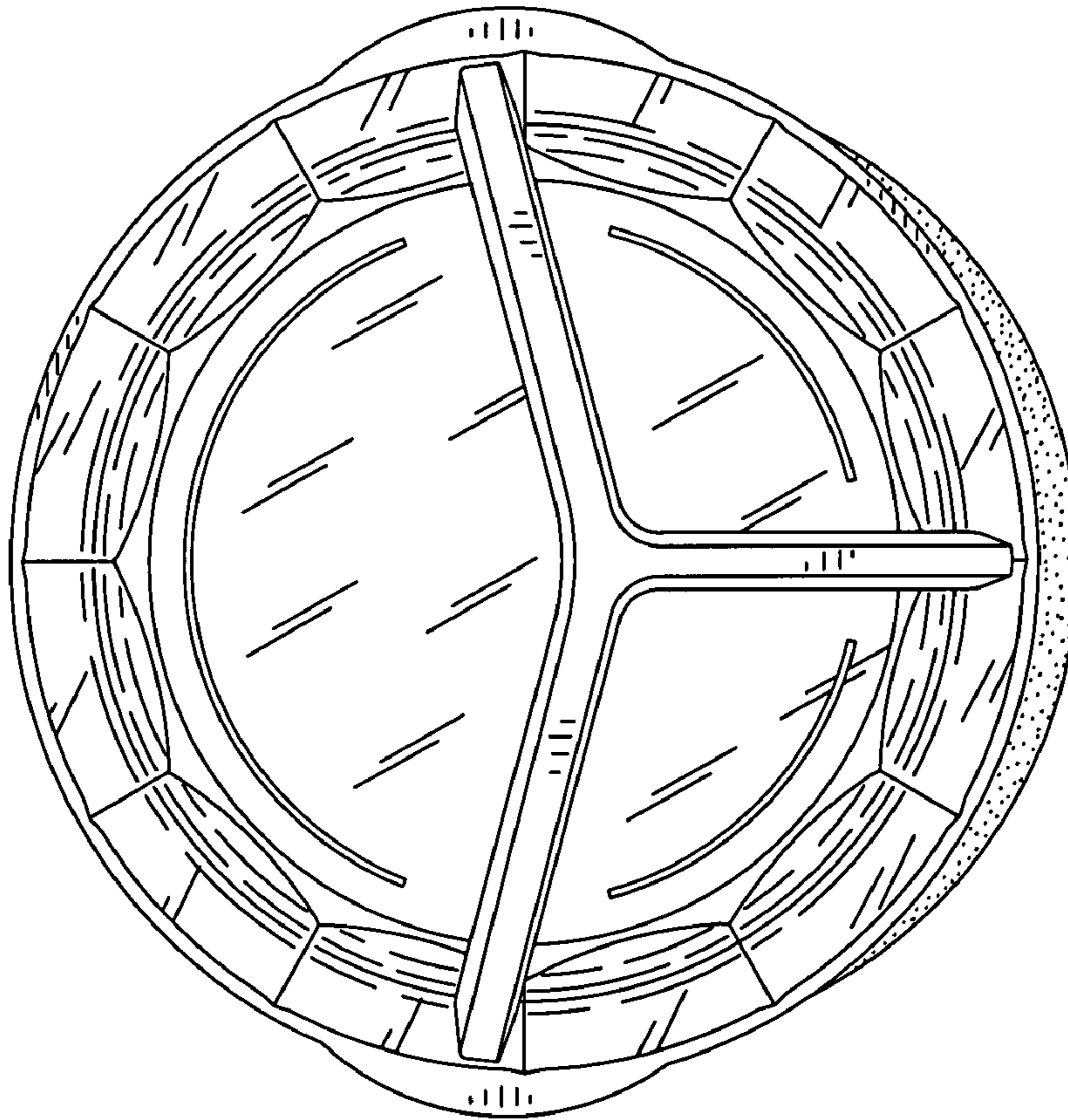


Fig. 4

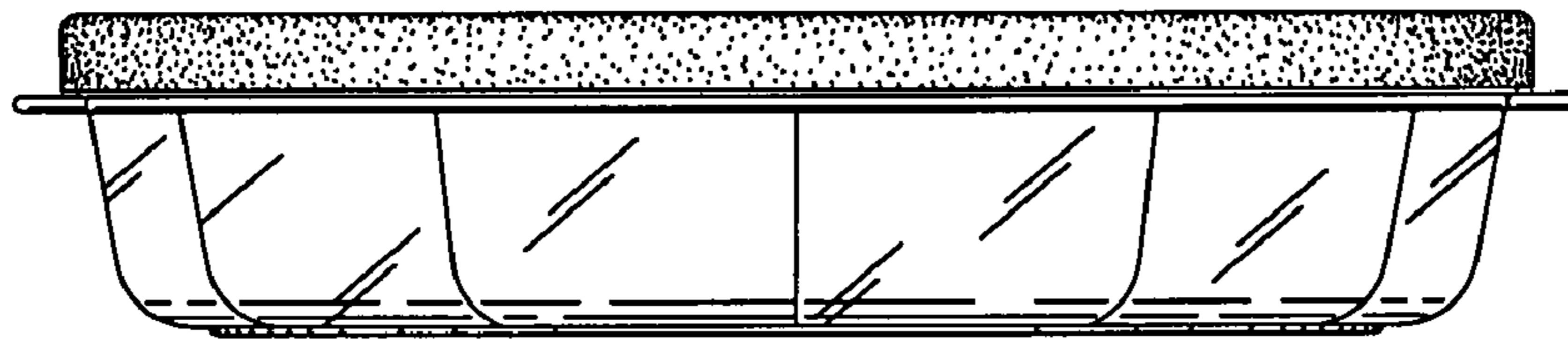


Fig. 5

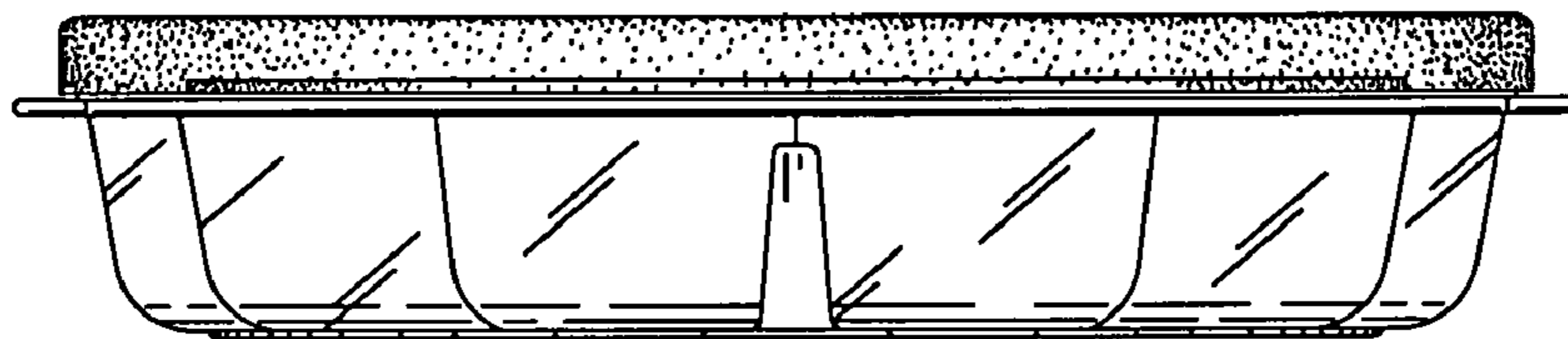


Fig. 6