



US00D557990S

(12) **United States Design Patent**  
**Martin**

(10) **Patent No.:** **US D557,990 S**

(45) **Date of Patent:** **\*\* Dec. 25, 2007**

(54) **CONTAINER**

(76) Inventor: **Laura Ann Martin**, 185 Varick St.,  
Suite 303, New York, NY (US) 10014

(\*\*) Term: **14 Years**

(21) Appl. No.: **29/277,431**

(22) Filed: **Feb. 26, 2007**

**Related U.S. Application Data**

(63) Continuation of application No. 29/254,033, filed on Feb. 16, 2006, now Pat. No. Des. 537,297, which is a continuation-in-part of application No. 29/227,312, filed on Apr. 8, 2005, now Pat. No. Des. 519,324, which is a continuation of application No. 10/314,504, filed on Dec. 9, 2002, now Pat. No. 7,007,818.

(51) **LOC (8) Cl.** ..... **07-06**

(52) **U.S. Cl.** ..... **D7/590; D7/624.2**

(58) **Field of Classification Search** ..... D7/590-599,  
D7/605-608, 619.1-625, 612-615, 602, 629;  
220/23.4, 288, 377, 366.1, 303, 780-805;  
206/818; 222/480, 553, 486, 142.1-142.9

See application file for complete search history.

(56) **References Cited**

**U.S. PATENT DOCUMENTS**

1,216,252 A \* 2/1917 Ferguson ..... 222/142.6  
D67,752 S \* 7/1925 Frahm ..... D7/592  
2,004,828 A \* 6/1935 Punte ..... 220/260  
2,047,951 A \* 7/1936 Eberhart ..... 220/377  
D190,510 S \* 6/1961 Grandinetti ..... D7/592

4,484,682 A 11/1984 Crow  
5,246,133 A \* 9/1993 James ..... 220/377  
5,367,278 A 11/1994 Yoshikawa  
5,407,107 A \* 4/1995 Smith ..... 222/548  
5,465,871 A \* 11/1995 Robbins, III ..... 222/142.5  
D468,162 S \* 1/2003 Martin ..... D7/592

**OTHER PUBLICATIONS**

S. T. International Group, Inc., Catalog, "Storage Boxes," p. 73.  
Lionel Trains Library, Catalog, "Magnetic Milk Can Set 1947-1959," updated Mar. 24, 2000.  
John Cleary, Clearco Products Co., Inc., Declaration and Catalog pages.  
Kamenstein, Catalog for Magnet Ware, copyrighted 1998.  
Lee Valley & Veritas, Fall Project flyer 1999.

\* cited by examiner

*Primary Examiner*—Terry A Wallace

(74) *Attorney, Agent, or Firm*—Robert B. Reeser, III;  
Armstrong Teasdale LLP

(57) **CLAIM**

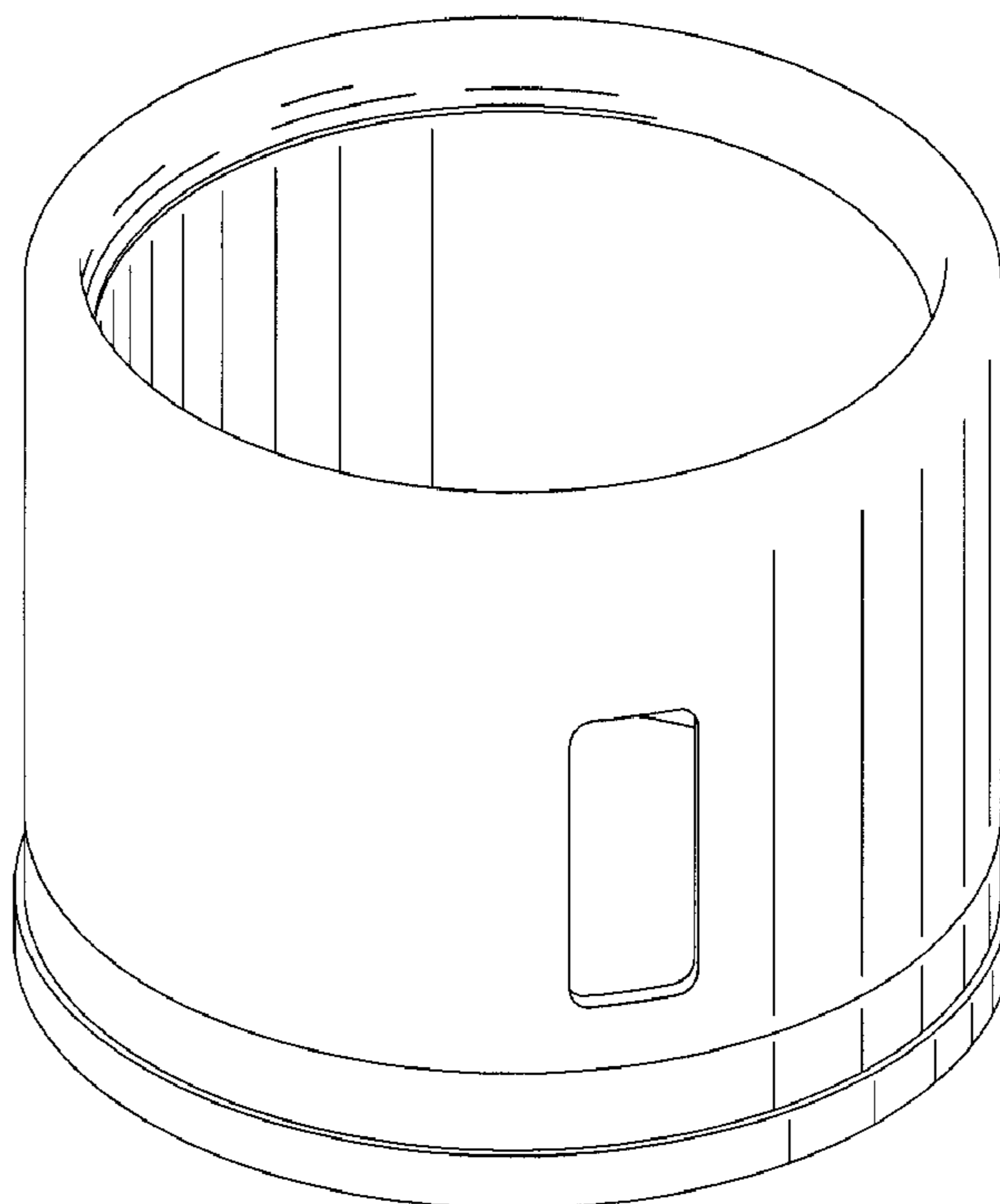
I claim the ornamental design for a container, as shown and described.

**DESCRIPTION**

FIG. 1 is an assembled perspective view of an exemplary container formed in accordance with a first embodiment; and,

FIG. 2 is an exploded perspective view of the container as shown in FIG. 1.

**1 Claim, 2 Drawing Sheets**



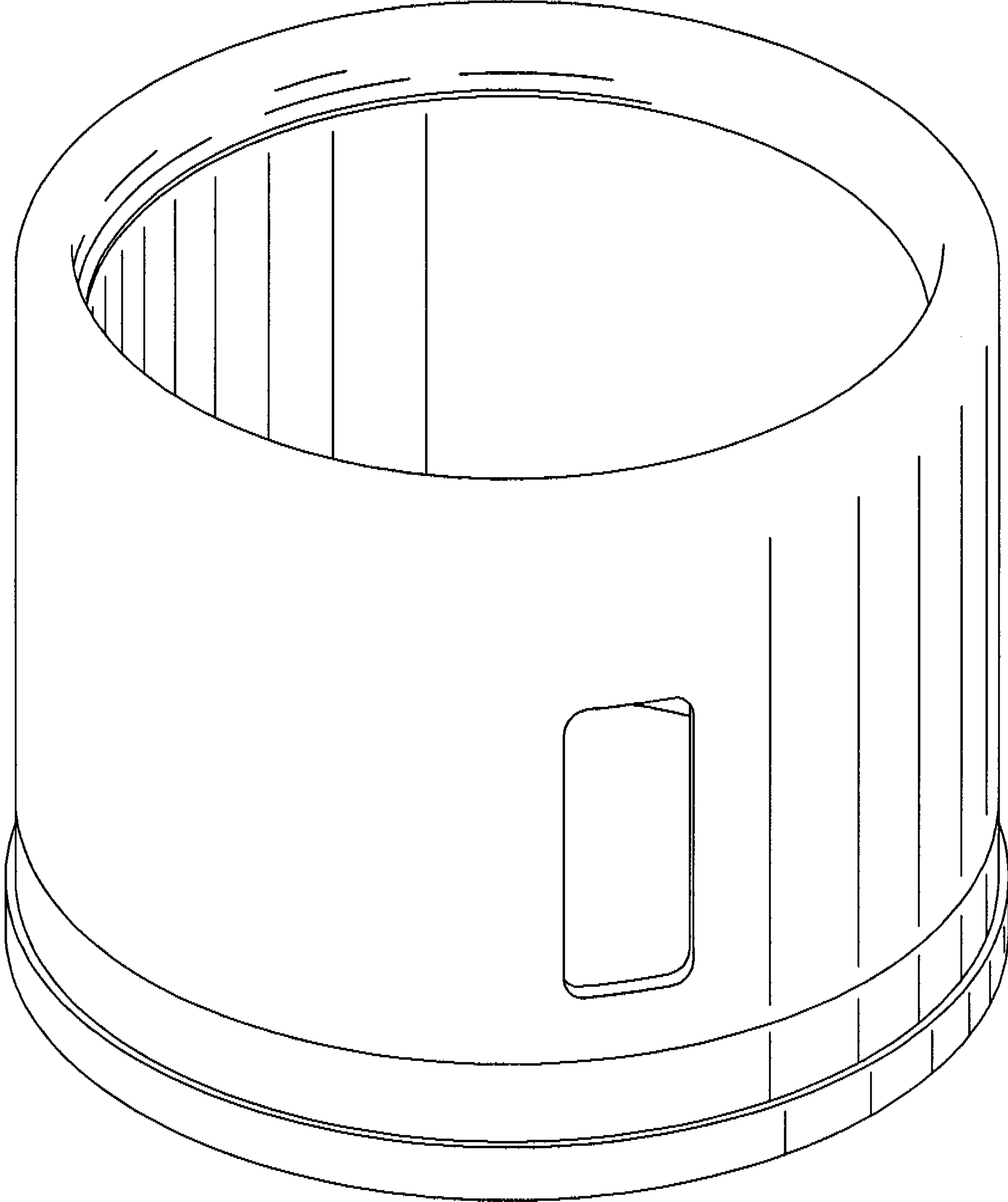


FIG. 1

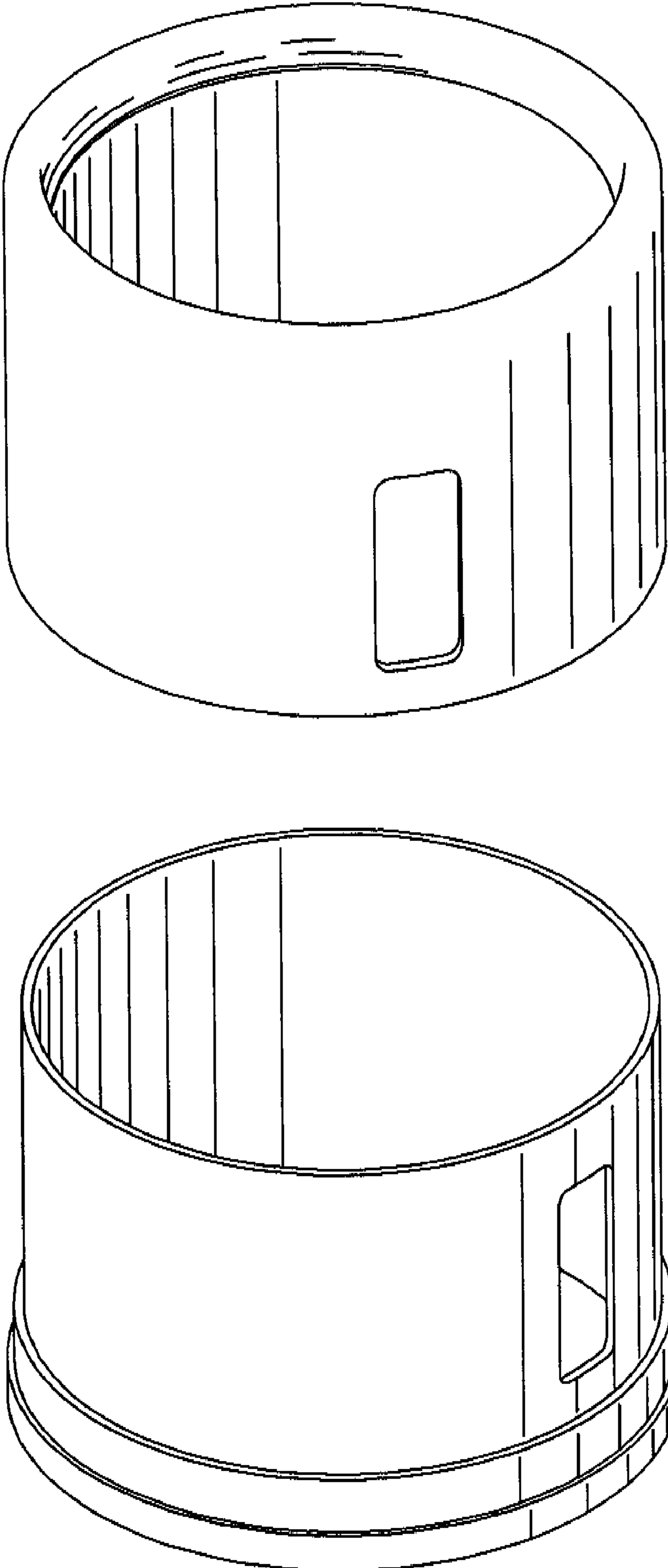


FIG. 2