



US00D557989S

(12) **United States Design Patent**
Deeds

(10) **Patent No.:** **US D557,989 S**

(45) **Date of Patent:** **** Dec. 25, 2007**

(54) **DISPENSING CLOSURE**

(75) Inventor: **M. Rinley Deeds**, Felton, CA (US)

(73) Assignee: **JohnsonDiversey, Inc.**, Sturtevant, WI (US)

(**) Term: **14 Years**

(21) Appl. No.: **29/262,387**

(22) Filed: **Jun. 30, 2006**

Related U.S. Application Data

(63) Continuation-in-part of application No. 29/258,031, filed on Apr. 14, 2006.

(51) **LOC (8) Cl.** **07-06**

(52) **U.S. Cl.** **D7/589**

(58) **Field of Classification Search** D7/589;
D6/542-545; 215/252; 222/158, 181.3,
222/548, 444, 568, 181.1, 180, 173, 461
See application file for complete search history.

(56) **References Cited**

U.S. PATENT DOCUMENTS

| | | | | | |
|-----------|-----|---------|--------------|-------|-----------|
| 2,865,537 | A | 12/1958 | Jackson | | 222/214 |
| 3,204,833 | A * | 9/1965 | Weitzner | | 222/355 |
| D204,310 | S * | 4/1966 | Scheum | | D7/589 |
| D210,848 | S * | 4/1968 | Robb | | D7/589 |
| 4,214,678 | A | 7/1980 | Patrinos | | 222/149 |
| 4,243,158 | A | 1/1981 | Negosta | | 222/184 |
| D286,728 | S * | 11/1986 | Elmore | | D7/589 |
| 5,106,239 | A | 4/1992 | Krebsbach | | 406/63 |
| D345,283 | S * | 3/1994 | Papanicholas | | D7/589 |
| 5,469,992 | A | 11/1995 | Jenkins | | 222/362 |
| 5,495,962 | A | 3/1996 | Nomura | | 222/80 |
| 5,730,333 | A * | 3/1998 | Baluk et al. | | 222/181.3 |
| 5,758,803 | A | 6/1998 | Liao et al. | | 222/440 |
| 5,829,085 | A | 11/1998 | Jerg et al. | | 8/158 |

| | | | | | |
|--------------|------|---------|-------------------|-------|-----------|
| 5,833,097 | A * | 11/1998 | Ruth | | 222/368 |
| D413,767 | S * | 9/1999 | Elmore | | D7/589 |
| 5,997,220 | A | 12/1999 | Wormser | | 406/66 |
| 6,179,167 | B1 * | 1/2001 | Boot et al. | | 222/181.3 |
| 6,341,721 | B1 * | 1/2002 | Herald et al. | | 222/548 |
| 6,484,905 | B1 | 11/2002 | Swackhamer et al. | | 222/158 |
| 7,090,098 | B2 | 8/2006 | Livingston et al. | | 222/651 |
| 2003/0071061 | A1 | 4/2003 | Lassota | | 222/129.3 |
| 2005/0139622 | A1 | 6/2005 | Saulle | | 222/541.1 |

FOREIGN PATENT DOCUMENTS

| | | |
|----|-----------------|---------|
| EP | 0 154 897 | 9/1985 |
| EP | 1 468 744 A1 | 10/2004 |
| GB | 1 569 697 | 6/1980 |
| GB | 2 111 946 A | 7/1983 |
| GB | 2 306 303 A | 5/1997 |
| WO | WO 02/24140 A2 | 3/2002 |
| WO | WO 02/024140 A3 | 3/2002 |
| WO | WO 03/022414 A1 | 3/2003 |
| WO | WO 03/023120 A1 | 3/2003 |

* cited by examiner

Primary Examiner—Terry A Wallace

(74) *Attorney, Agent, or Firm*—Gregory S. Bollis

(57) **CLAIM**

I claim the ornamental design for a dispensing closure, as shown and described.

DESCRIPTION

FIG. 1 is a perspective view of a dispensing closure showing my new design;

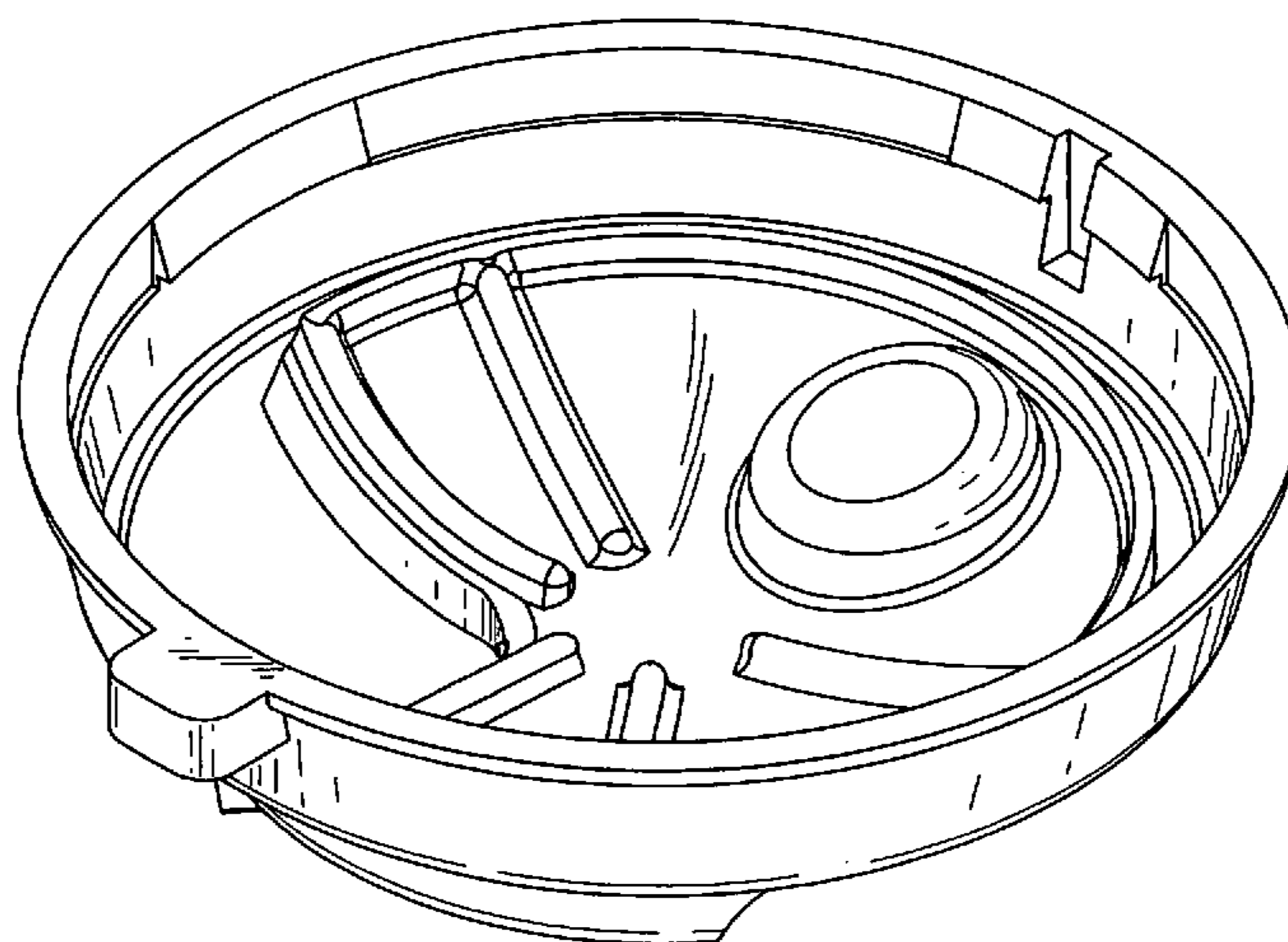
FIG. 2 is a bottom plan view thereof;

FIG. 3 is a top plan view thereof;

FIG. 4 is a side view thereof; and,

FIG. 5 is another side view thereof.

1 Claim, 4 Drawing Sheets



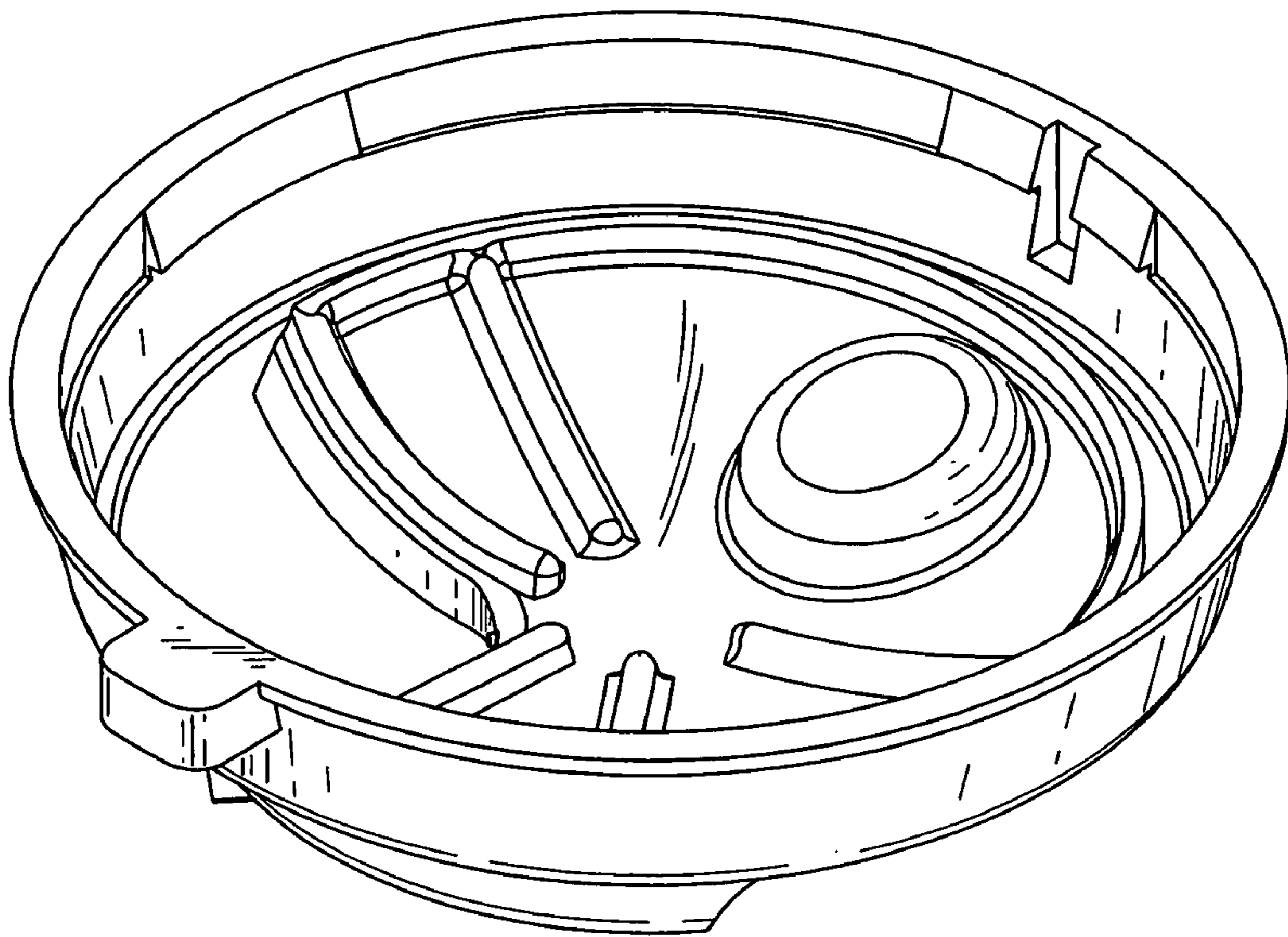


FIG. 1

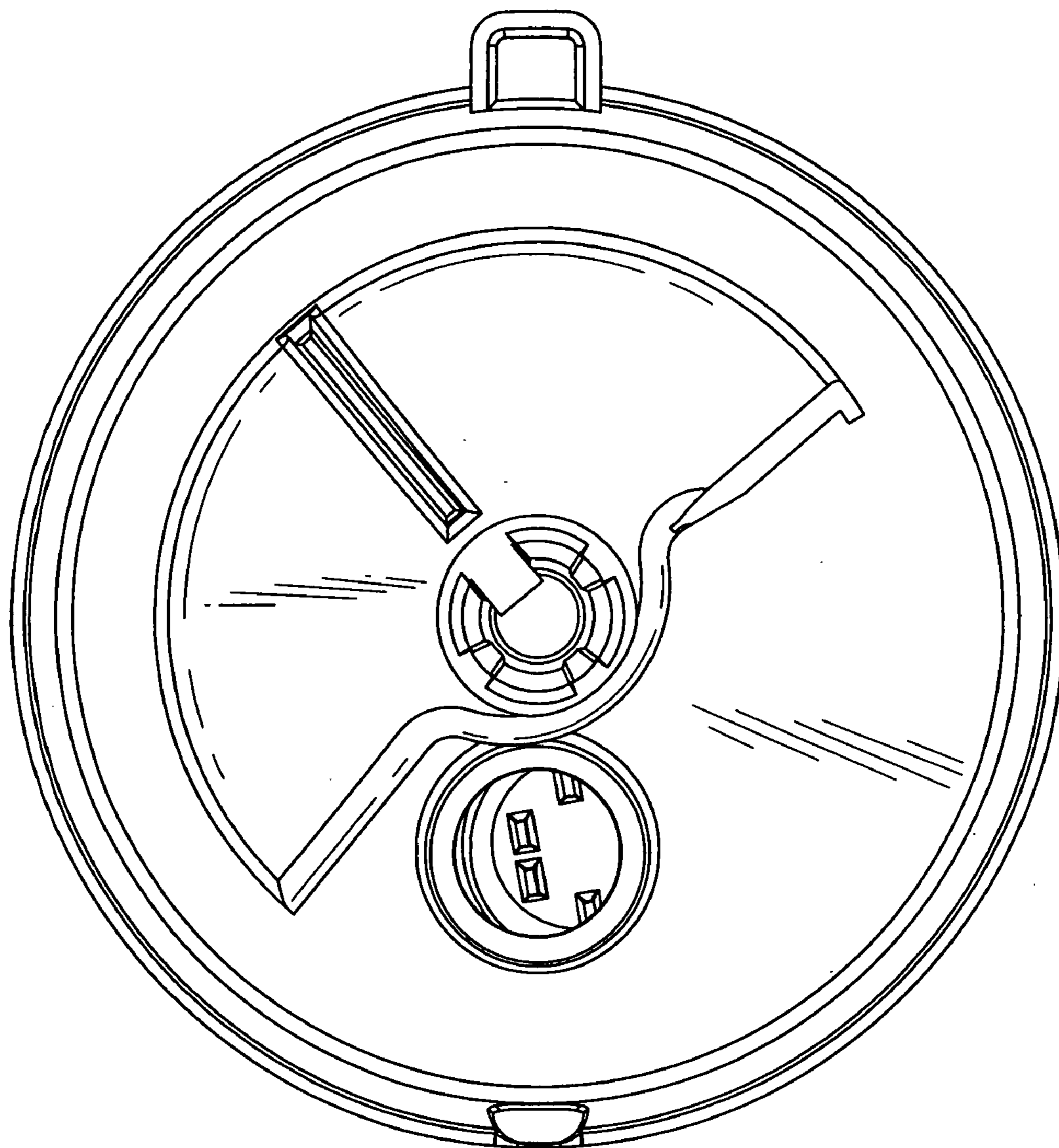


FIG. 2

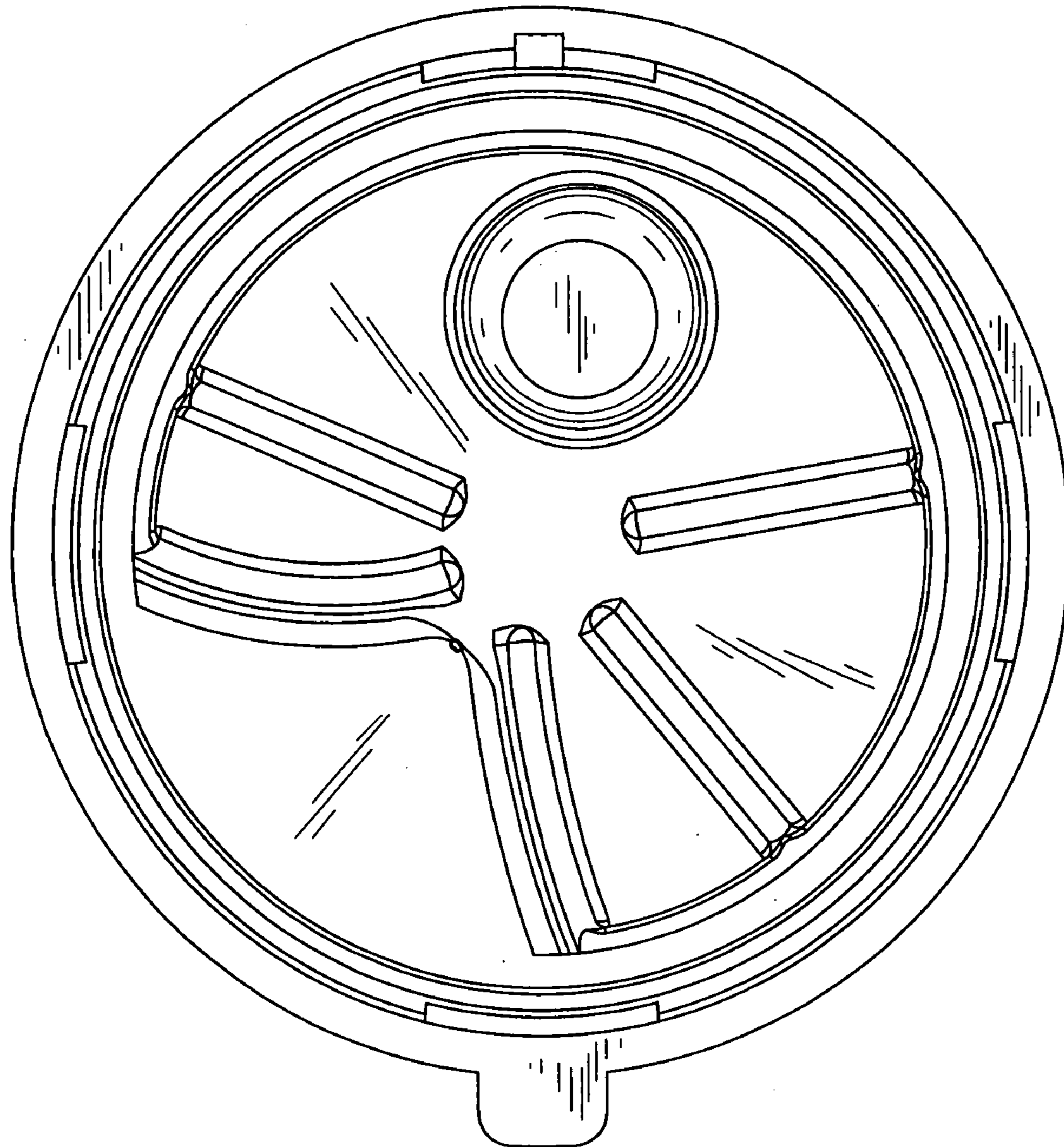


FIG. 3

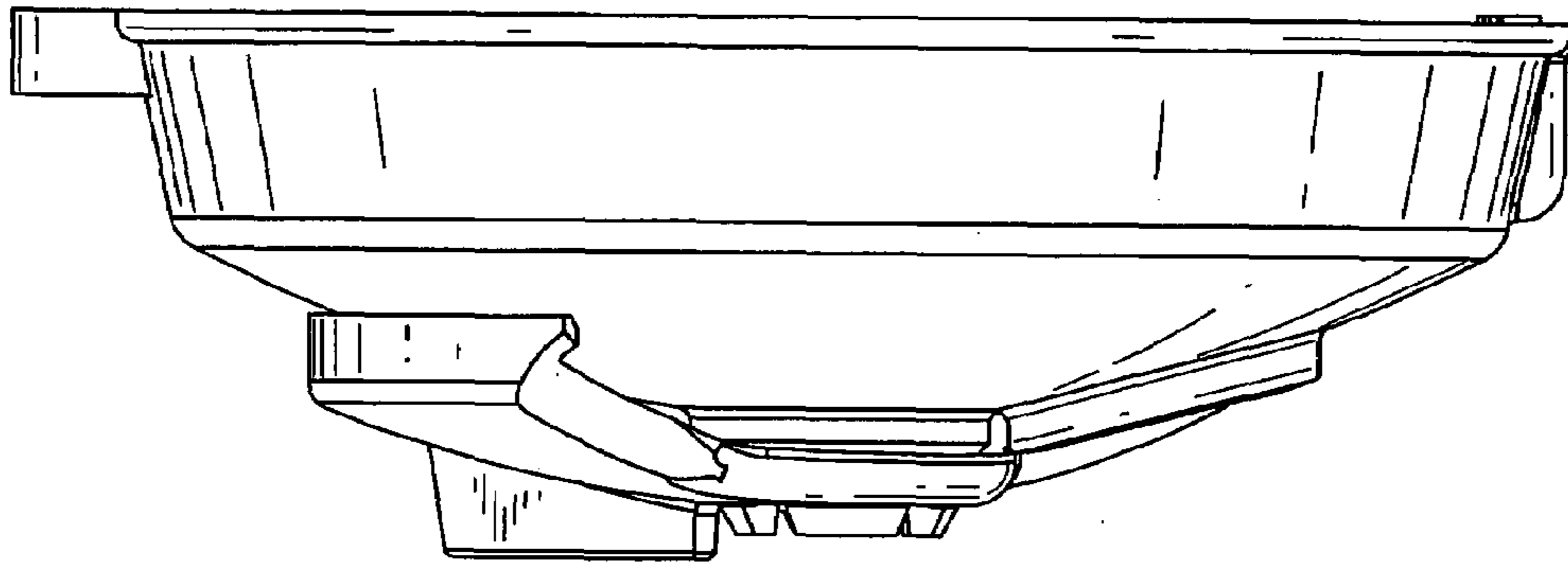


FIG. 4

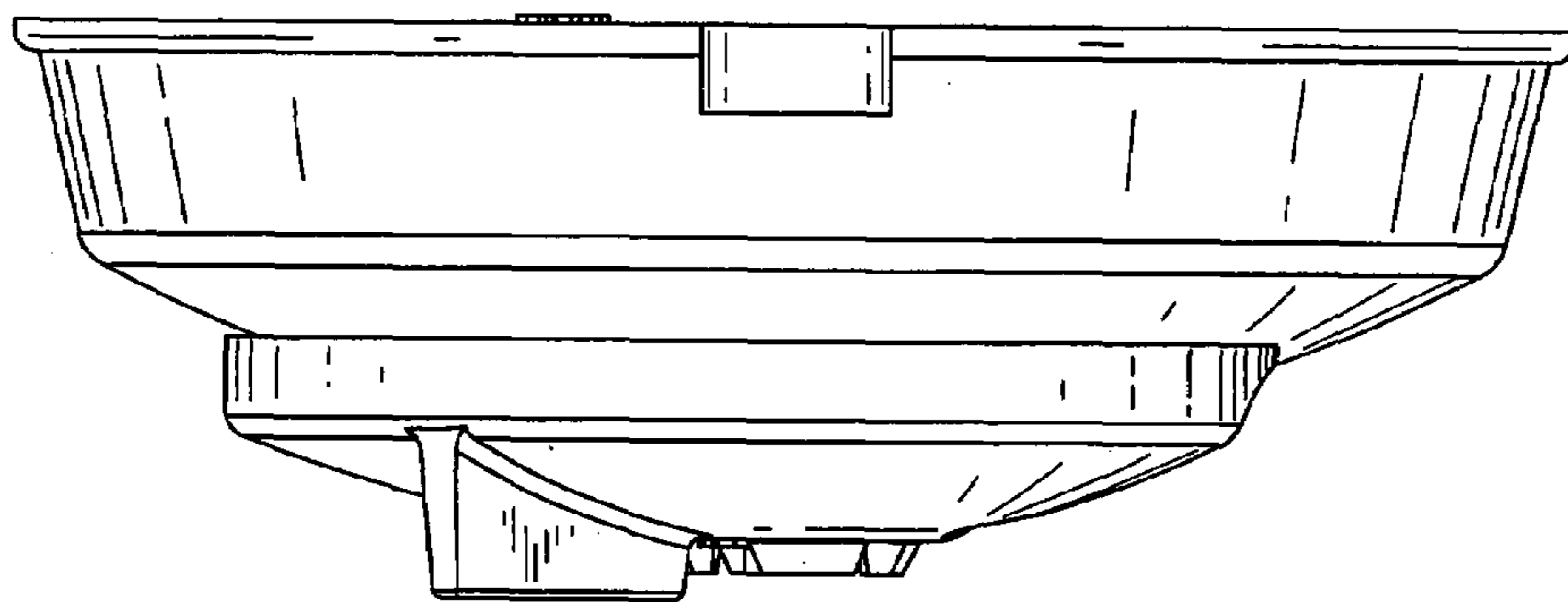


FIG. 5