



US00D557987S

(12) **United States Design Patent**
Hoehne

(10) **Patent No.:** **US D557,987 S**
(45) **Date of Patent:** **** Dec. 25, 2007**

(54) **COMPARTMENTED SERVING TRAY AND COOKING PAN WITH COVER**

(76) **Inventor:** **Myrna Rae Hoehne**, 322 Las Tablas, San Antonio, TX (US) 78023

(**) **Term:** **14 Years**

(21) **Appl. No.:** **29/259,637**

(22) **Filed:** **May 11, 2006**

(51) **LOC (8) Cl.** **07-01**

(52) **U.S. Cl.** **D7/551.1; D7/550.1; D7/556; D7/571**

(58) **Field of Classification Search** **D7/345, D7/550.1, 551.1, 551.3, 555, 553.1, 556, D7/559, 564, 567, 539, 571, 578, 579, 602, D7/628, 629, 676, 702, 901, 554.3; D3/271.9; D27/120; D9/320, 424, 600, 618, 619, 625, D9/632, 668, 737; 62/457.1, 530; 206/558, 206/561; 215/286; 220/556**

See application file for complete search history.

(56) **References Cited**

U.S. PATENT DOCUMENTS

3,601,277 A * 8/1971 Andrews et al. 220/556
D260,468 S * 9/1981 Huebner D6/597
4,566,292 A * 1/1986 Parmet 62/457.1

(Continued)

OTHER PUBLICATIONS

“Cuisinart Products . . . for the Good Life Bakeware.” http://www.cuisinart.com/catalog/product.php?item_id=130, pp. 1-2.
“Special Baking Pans.” http://www.bettycrocker.com/baking/basics/special_baking_pans.aspx, pp. 1-2.
“Novelty/Animal Shapes Pans!” <http://www.sugarcraft.com/catalog/pans/novelty.htm>, pp. 1-10.

Primary Examiner—Philip S. Hyder
Assistant Examiner—Cynthia Underwood

(57) **CLAIM**

The ornamental design for a compartmented serving tray and cooking pan with cover, as shown.

DESCRIPTION

FIG. 1 shows the top plan view of the food tray design in the shape of a football helmet with separate compartments;

FIG. 2 shows a right side elevational view of the football helmet-shaped food tray;

FIG. 3 shows the back elevational view of the football helmet-shaped food tray;

FIG. 4 shows the bottom plan view of the football helmet-shaped food tray;

FIG. 5 shows a left side elevational view of the football helmet-shaped food tray;

FIG. 6 shows a front elevational view of the football helmet-shaped food tray;

FIG. 7 shows the perspective view of the cover for the football helmet-shaped food tray;

FIG. 8 shows the right side elevational view of the cover for the football helmet-shaped food tray;

FIG. 9 shows the left side elevational view of the cover for the football helmet-shaped food tray;

FIG. 10 shows the front elevational view of the cover for the football helmet-shaped food tray;

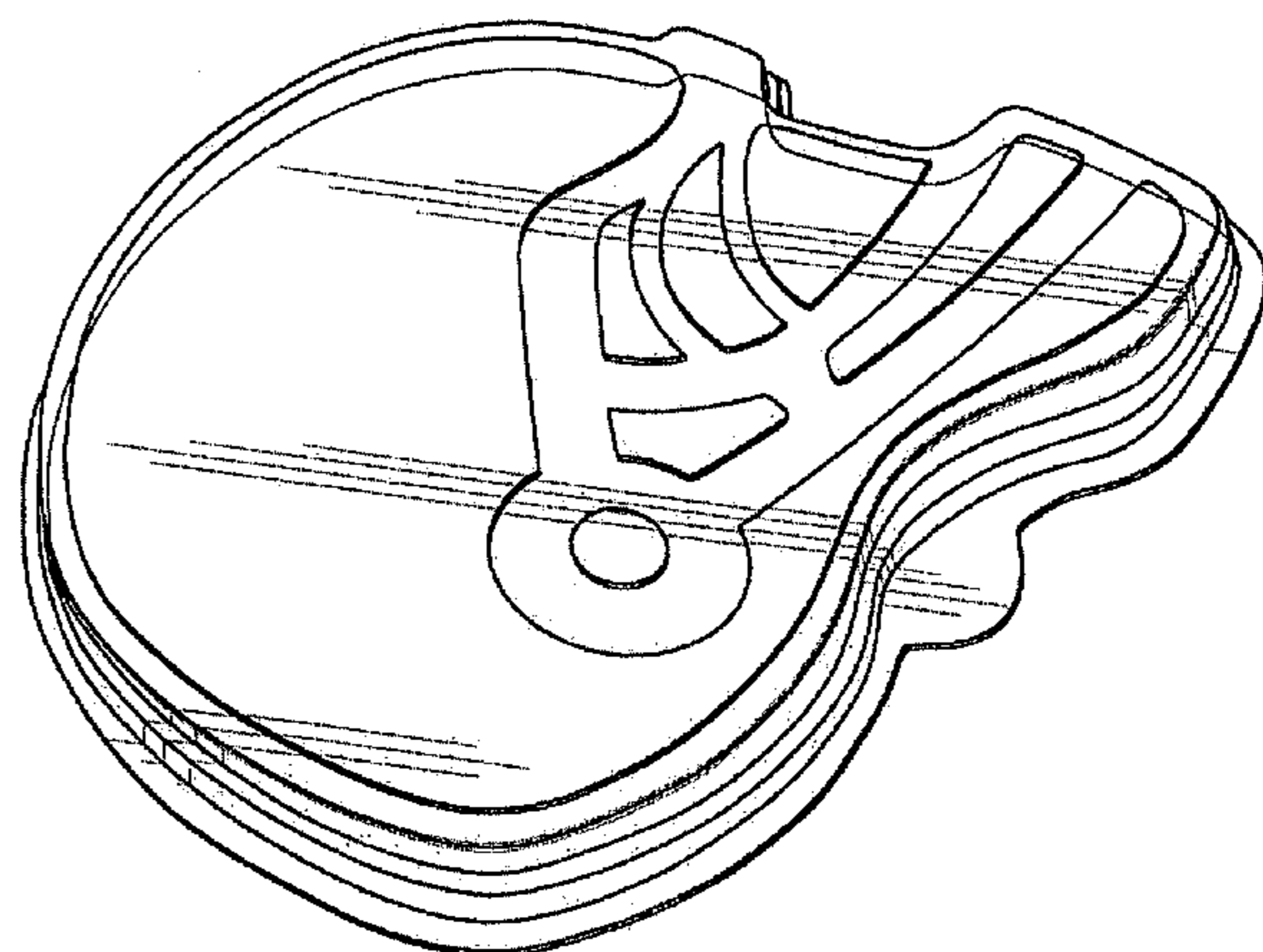
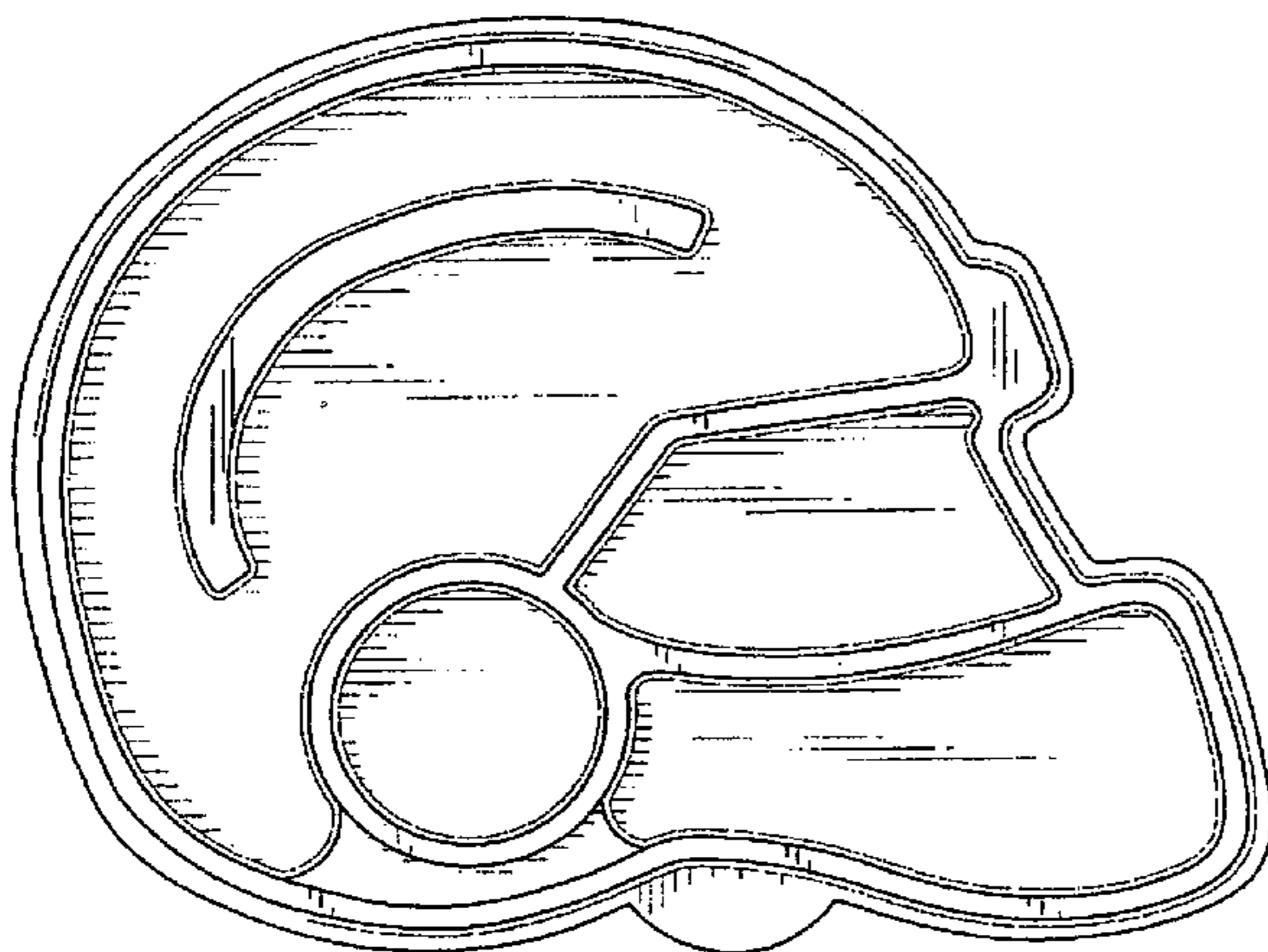
FIG. 11 shows the bottom plan view of the cover for the football helmet-shaped food tray;

FIG. 12 shows the left side elevational view of the cover for the football helmet-shaped food tray;

FIG. 13 shows the back elevational view of the cover for the football helmet-shaped food tray; and,

FIG. 14 shows the perspective view of the cover for the football helmet-shaped food tray.

1 Claim, 6 Drawing Sheets



US D557,987 S

Page 2

U.S. PATENT DOCUMENTS

4,579,276	A	4/1986	Manizza		
D314,492	S	* 2/1991	Weller et al.	D7/623
D359,418	S	6/1995	Sicard et al.		
5,551,593	A	9/1996	Wiens		
6,129,235	A	10/2000	Creske		
D434,607	S	* 12/2000	Hansen	D7/606
D452,649	S	* 1/2002	Davis	D9/632
D461,099	S	8/2002	Leuenberger		
6,514,548	B2	2/2003	Lin		
D483,227	S	12/2003	Oas		
D493,709	S	* 8/2004	Tamez	D9/632
D511,273	S	11/2005	Hadeler		
D514,020	S	* 1/2006	Puett, III	D11/172
D520,275	S	* 5/2006	Kerr	D6/511
D524,115	S	* 7/2006	Meyer	D7/604
D531,847	S	* 11/2006	Lesniak	D6/597
D535,157	S	* 1/2007	Hoehne	D7/628

* cited by examiner

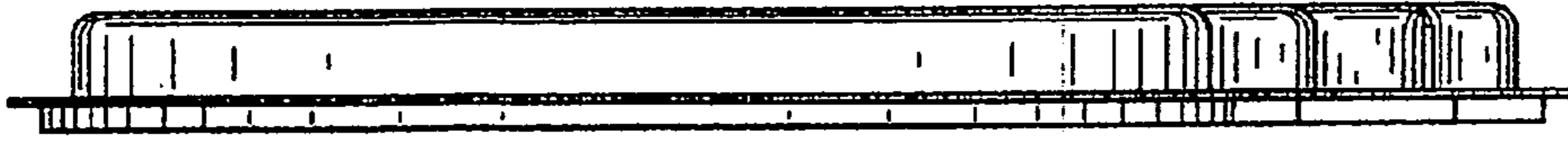


Fig. 3

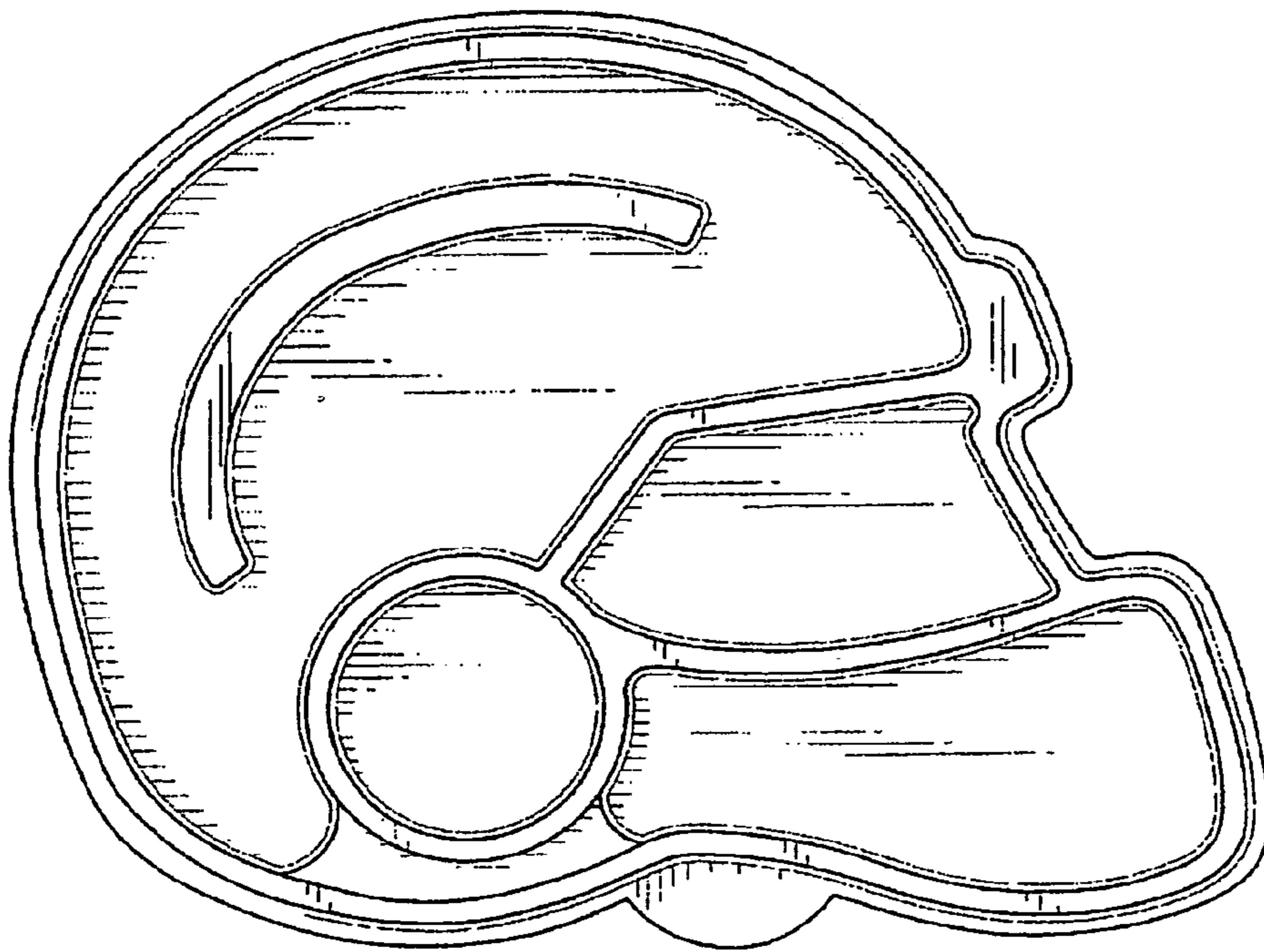


Fig. 1



Fig. 2

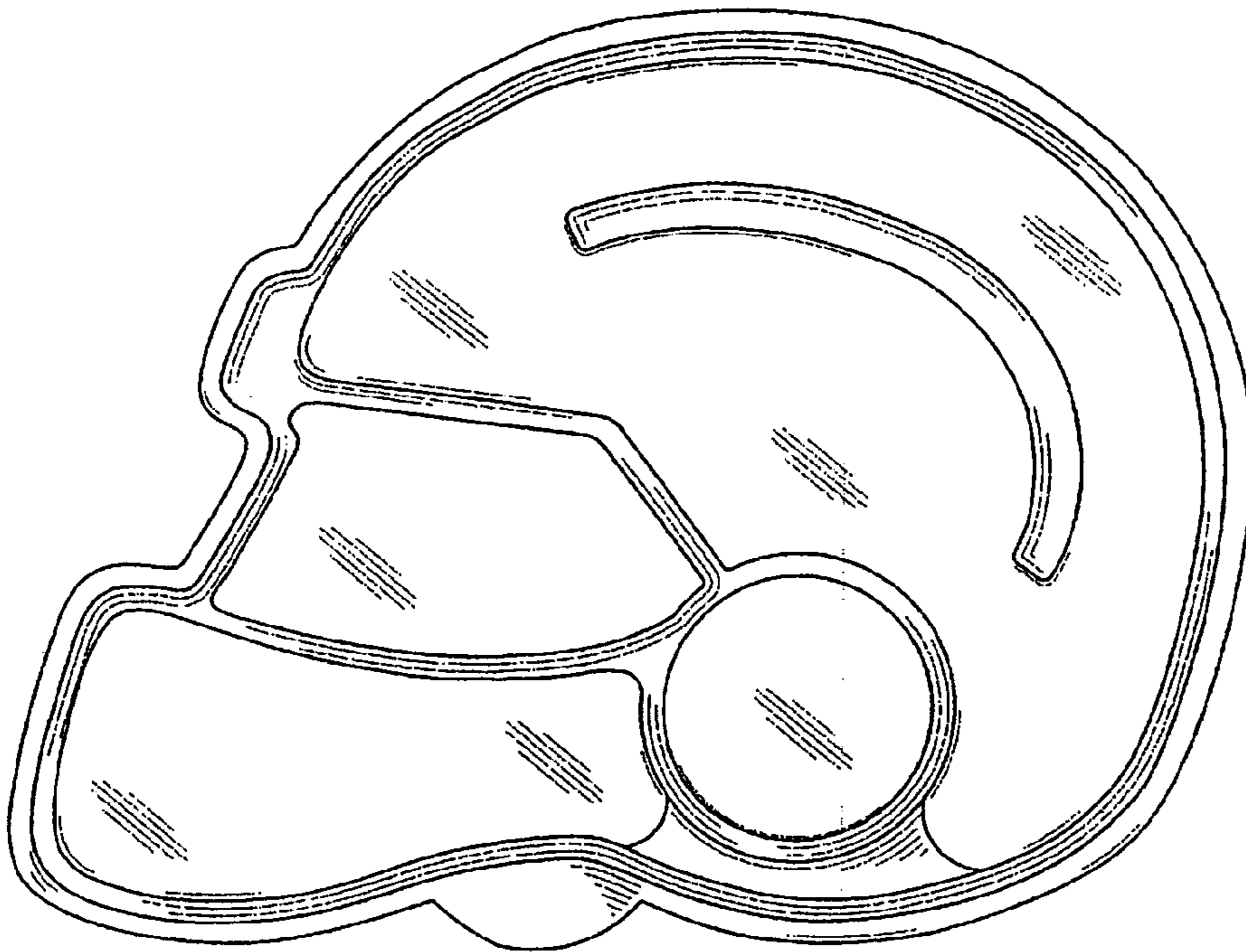


Fig. 4

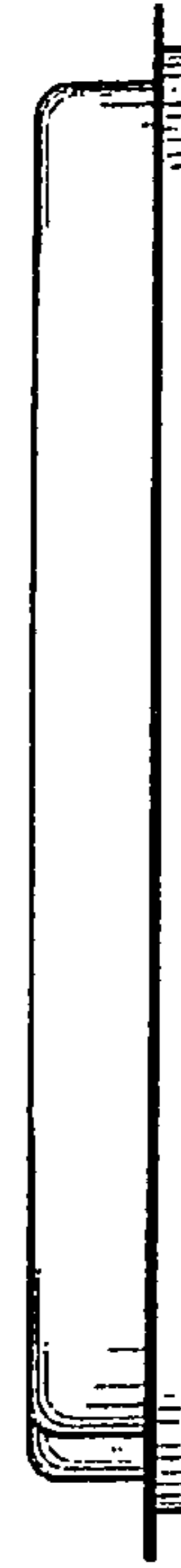


Fig. 5



Fig. 6

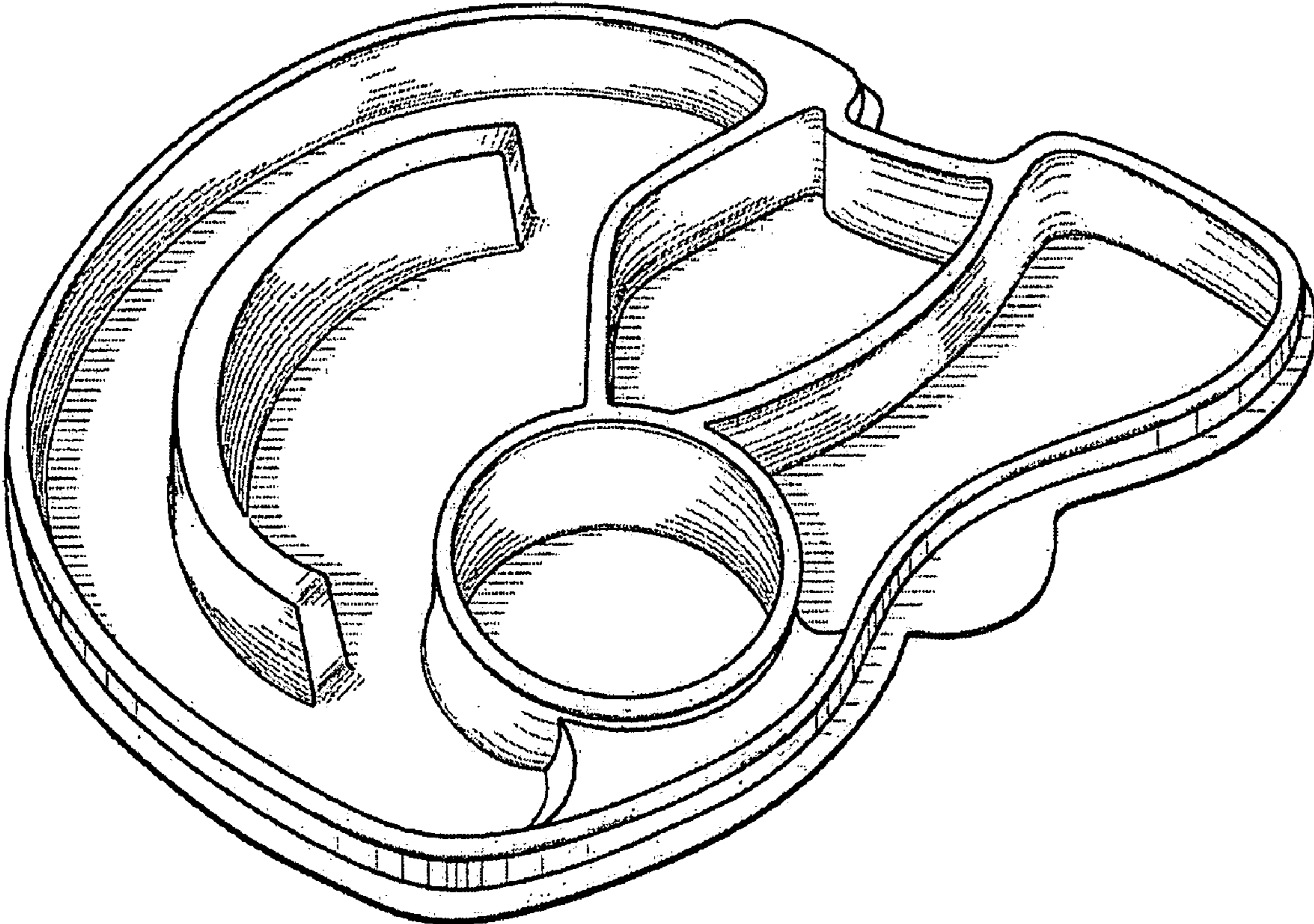


Fig. 7

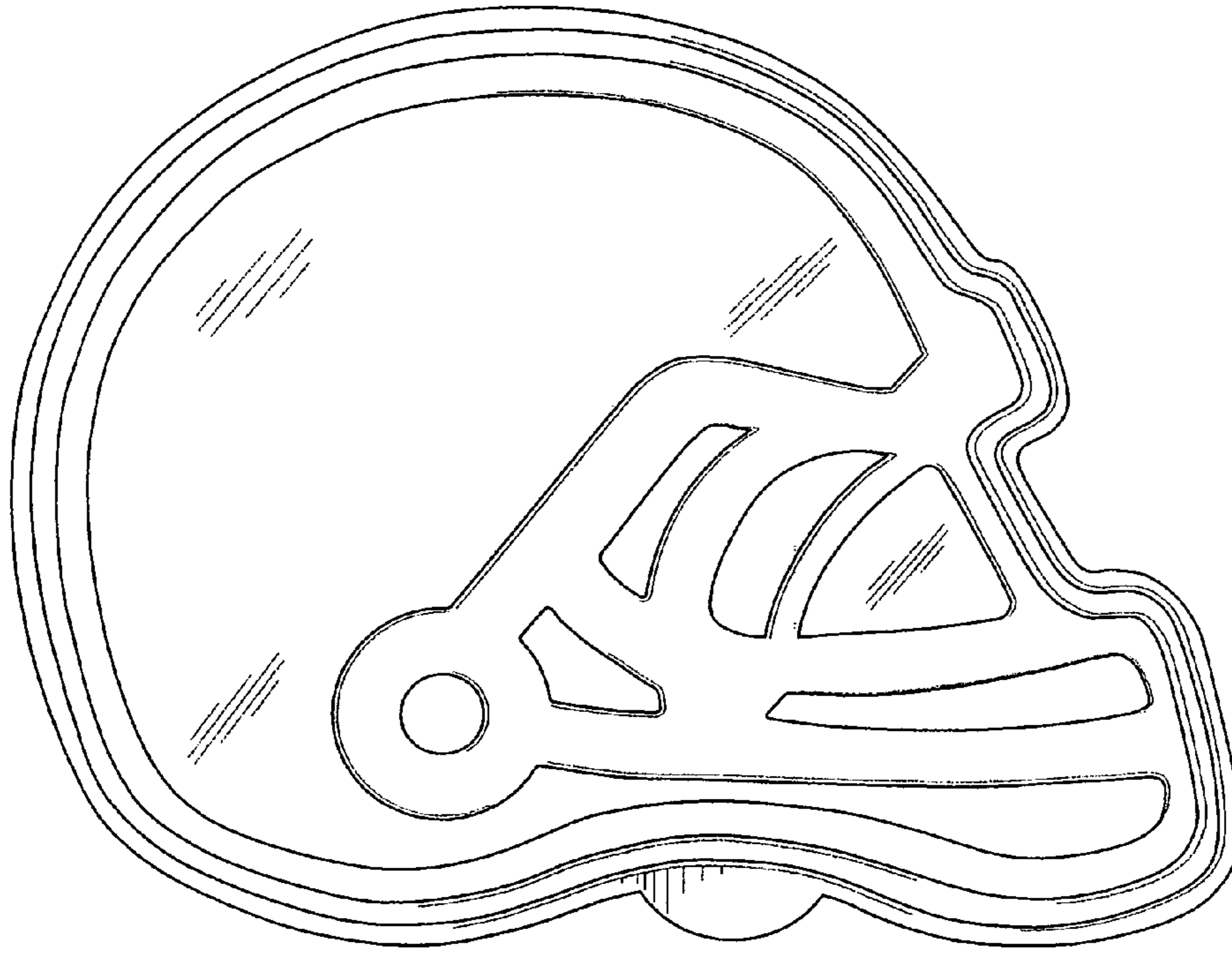


Fig. 8



Fig. 9



Fig. 10

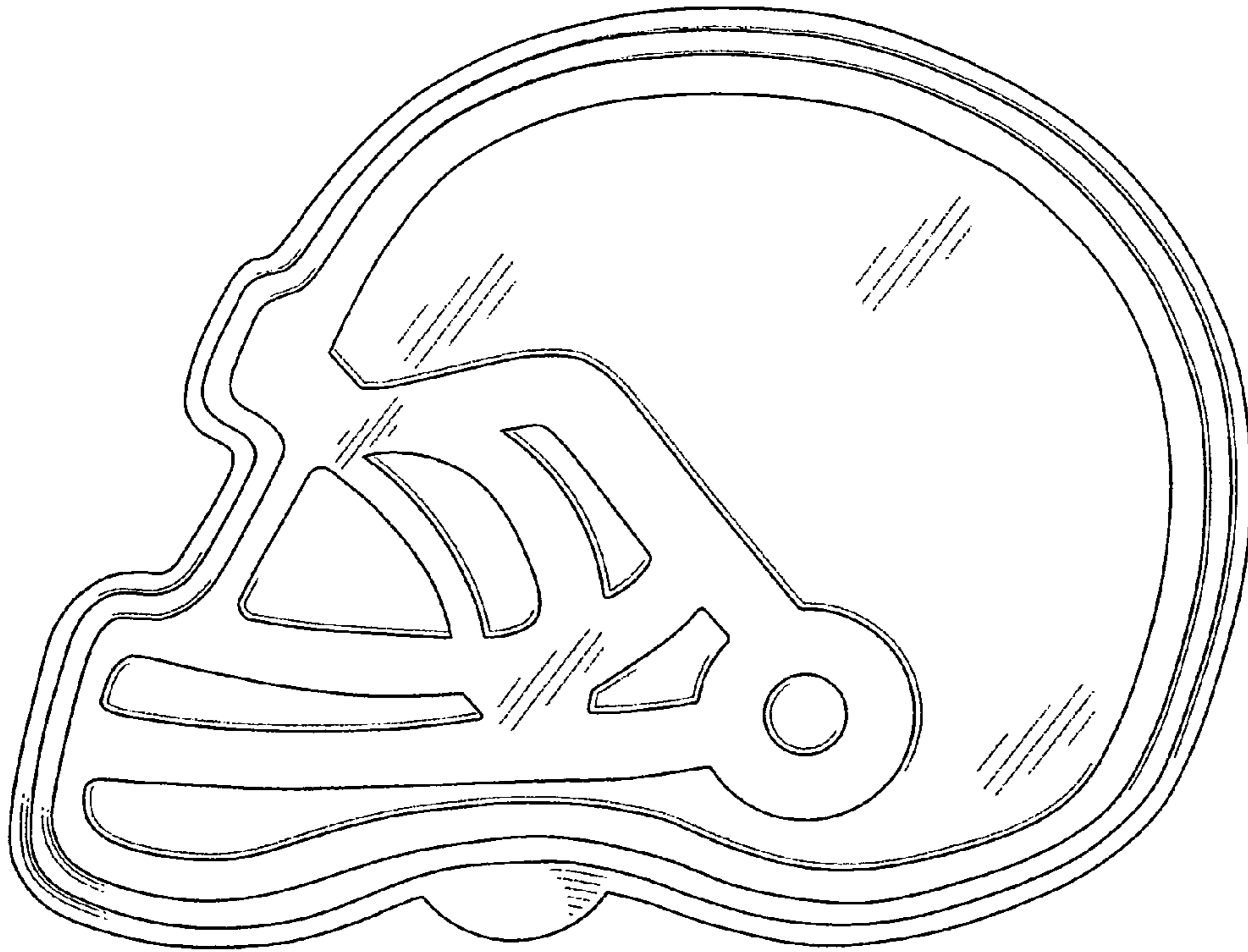


Fig. 11



Fig. 12



Fig. 13

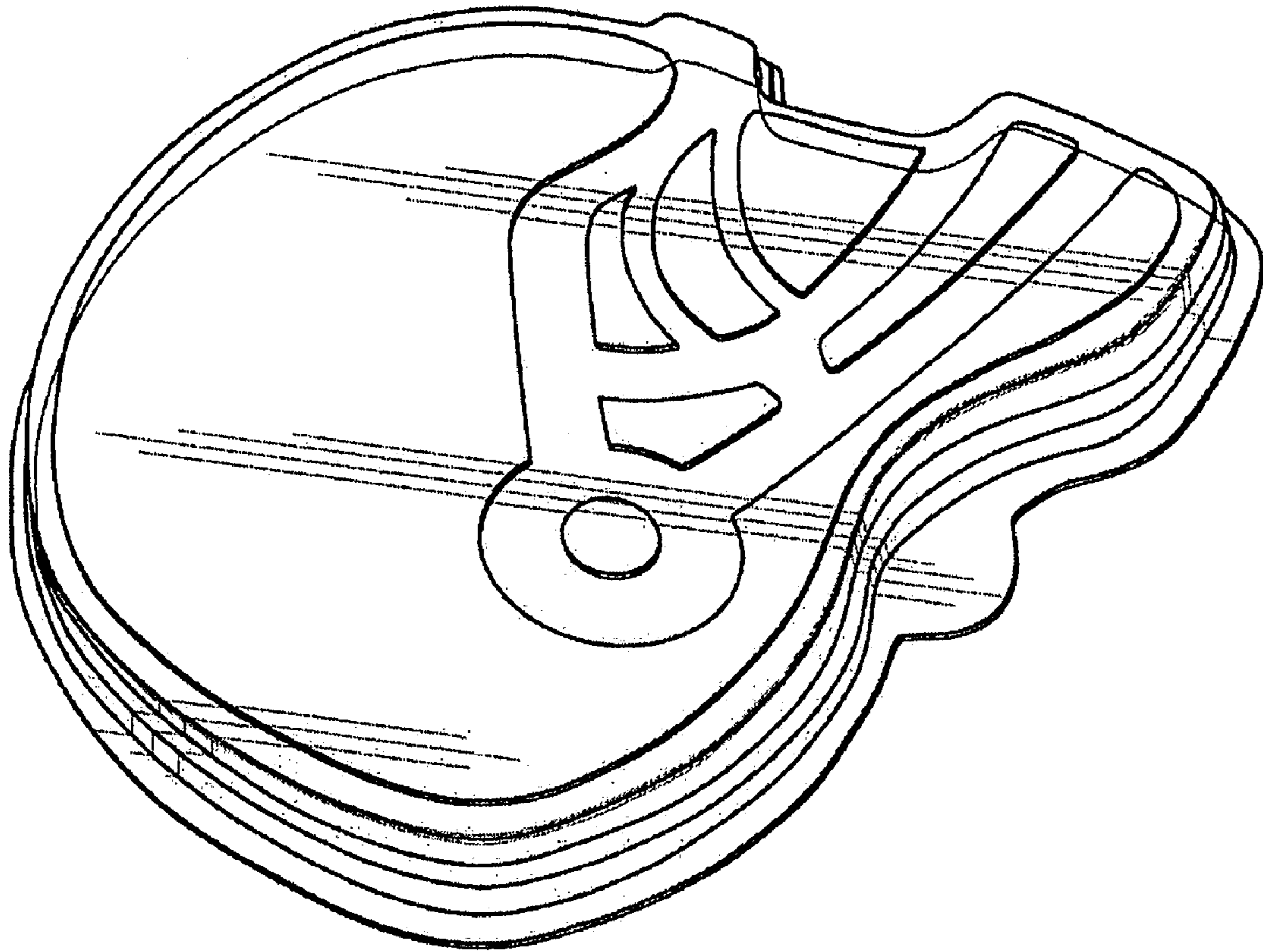


Fig. 14