



US00D557985S

(12) **United States Design Patent**
Arcangeli

(10) **Patent No.:** **US D557,985 S**

(45) **Date of Patent:** **** Dec. 25, 2007**

(54) **CUP**

(75) Inventor: **Marcello Arcangeli**, Turin (IT)

(73) Assignee: **Luigi Lavazza S.p.A.**, Turin (IT)

(**) Term: **14 Years**

(21) Appl. No.: **29/249,955**

(22) Filed: **Oct. 27, 2006**

(30) **Foreign Application Priority Data**

Apr. 28, 2006 (IT) TO2006O0030

(51) **LOC (8) Cl.** **07-01**

(52) **U.S. Cl.** **D7/536; D7/533; D7/509**

(58) **Field of Classification Search** D7/319,
D7/361, 396.2, 500, 509, 510, 513-515, 518,
D7/521, 531-536, 538, 541, 545, 601, 613,
D7/622; D3/271.6; D8/DIG. 9; D9/516,
D9/555, 600, 636, 716, 718, 741, 751; D24/122;
D25/7, 102, 104, 117, 130; D26/11; D34/7,
D34/9; 206/520; 215/DIG. 7, 387; 220/DIG. 13,
220/4.06, 4.24, 507, 516, 592.16, 592.17,
220/669, 710.5; 229/400, 402
See application file for complete search history.

(56) **References Cited**

U.S. PATENT DOCUMENTS

2,215,691 A * 9/1940 East 220/501
3,261,494 A * 7/1966 Walker, Jr. 220/555
3,381,875 A * 5/1968 Tunick 229/120.03
D258,796 S * 4/1981 Paulides D7/513
4,955,503 A * 9/1990 Propes 220/526
D409,442 S * 5/1999 Kilpatrick et al. D7/513
6,123,214 A * 9/2000 Goebel 220/23.4

D464,234 S * 10/2002 Miller D7/536
D471,803 S * 3/2003 Trombly D9/737
D523,693 S * 6/2006 Bodum D7/523

* cited by examiner

Primary Examiner—Philip S. Hyder

Assistant Examiner—Cynthia Underwood

(74) *Attorney, Agent, or Firm*—Heslin Rothenberg Farley & Mesiti P.C.; Victor A. Cardona, Esq.

(57) **CLAIM**

The ornamental design for a cup, as shown and described.

DESCRIPTION

FIG. 1 is a perspective view of the cup comprising the new design;

FIG. 2 is a left side view thereof;

FIG. 3 is a right side view thereof;

FIG. 4 is a top view thereof;

FIG. 5 is a bottom view thereof;

FIG. 6 is a back view thereof;

FIG. 7 is a front view thereof;

FIG. 8 is a perspective view of a second embodiment of the new design;

FIG. 9 is a left side view thereof;

FIG. 10 is a right side view thereof;

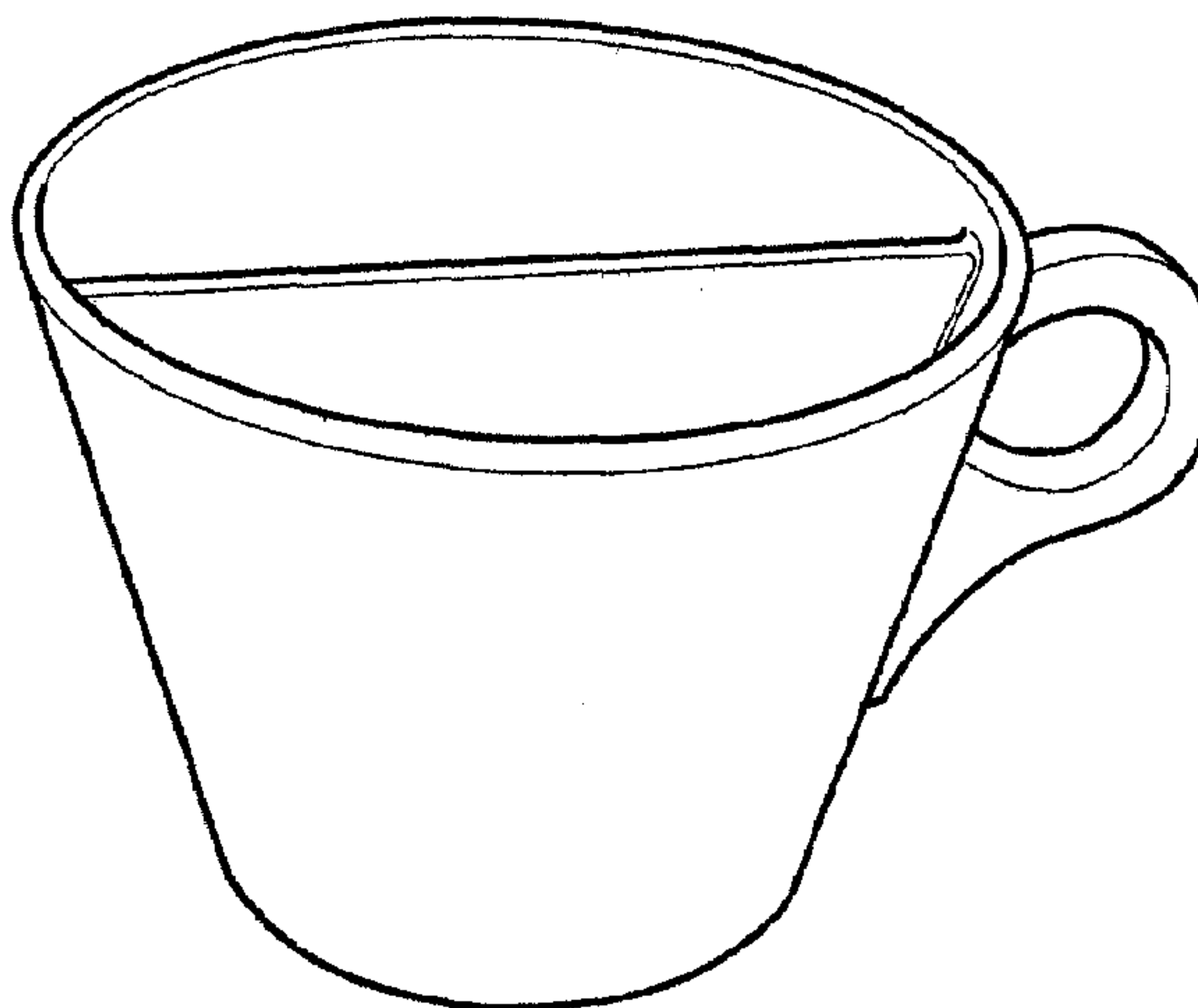
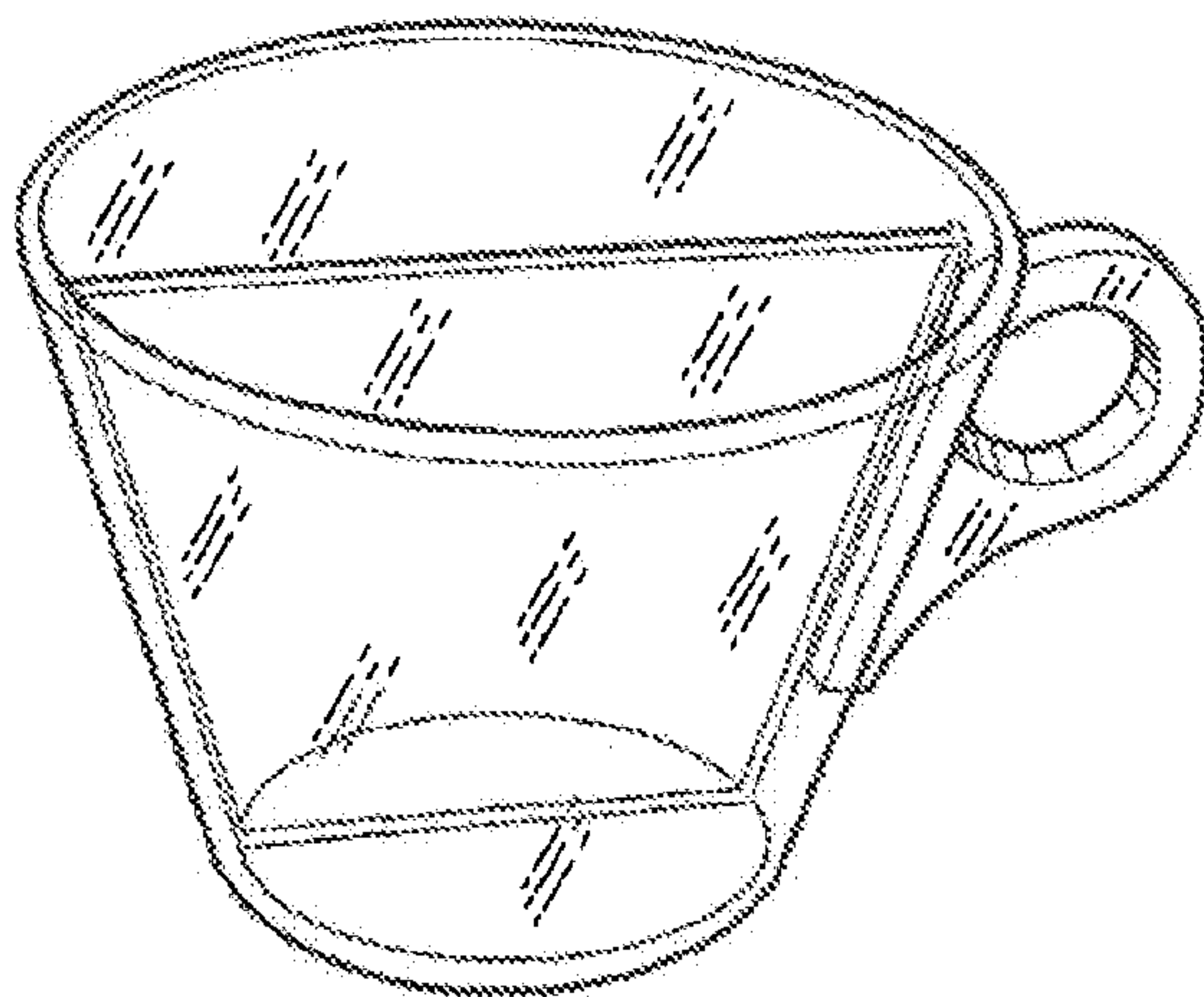
FIG. 11 is a top view thereof;

FIG. 12 is a bottom view thereof;

FIG. 13 is a back view thereof; and,

FIG. 14 is a front view thereof.

1 Claim, 8 Drawing Sheets



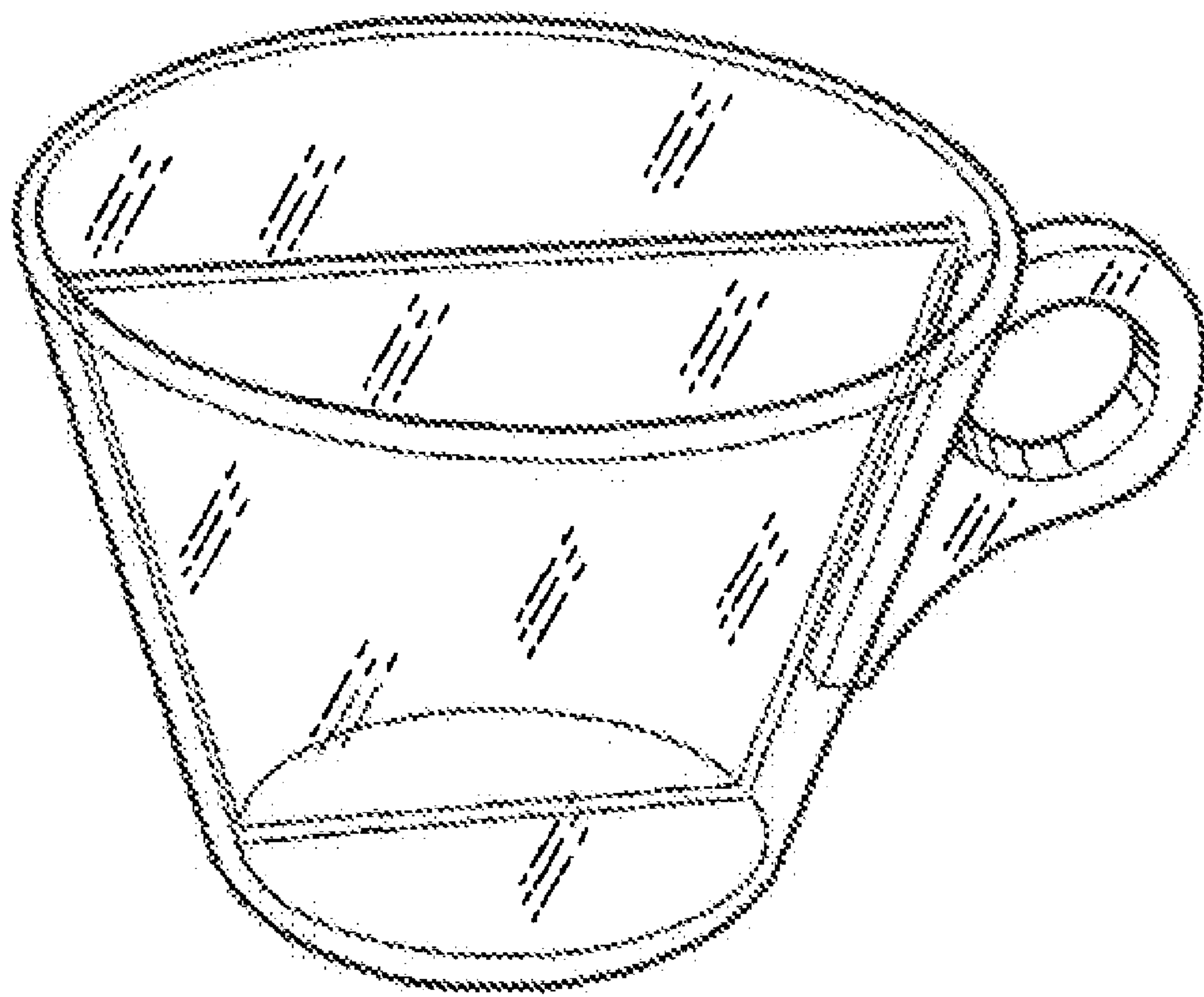


FIG. 1

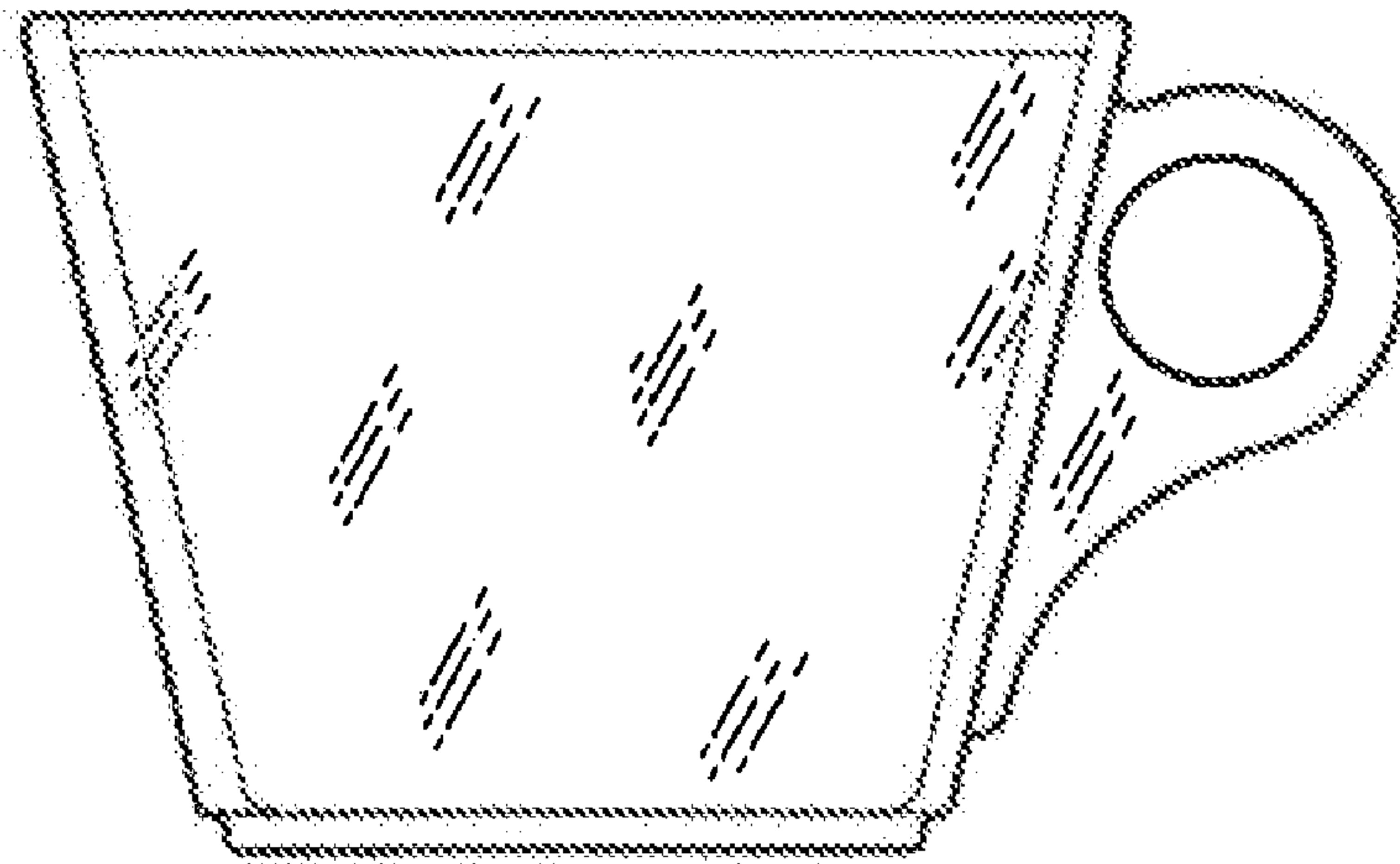


FIG. 2

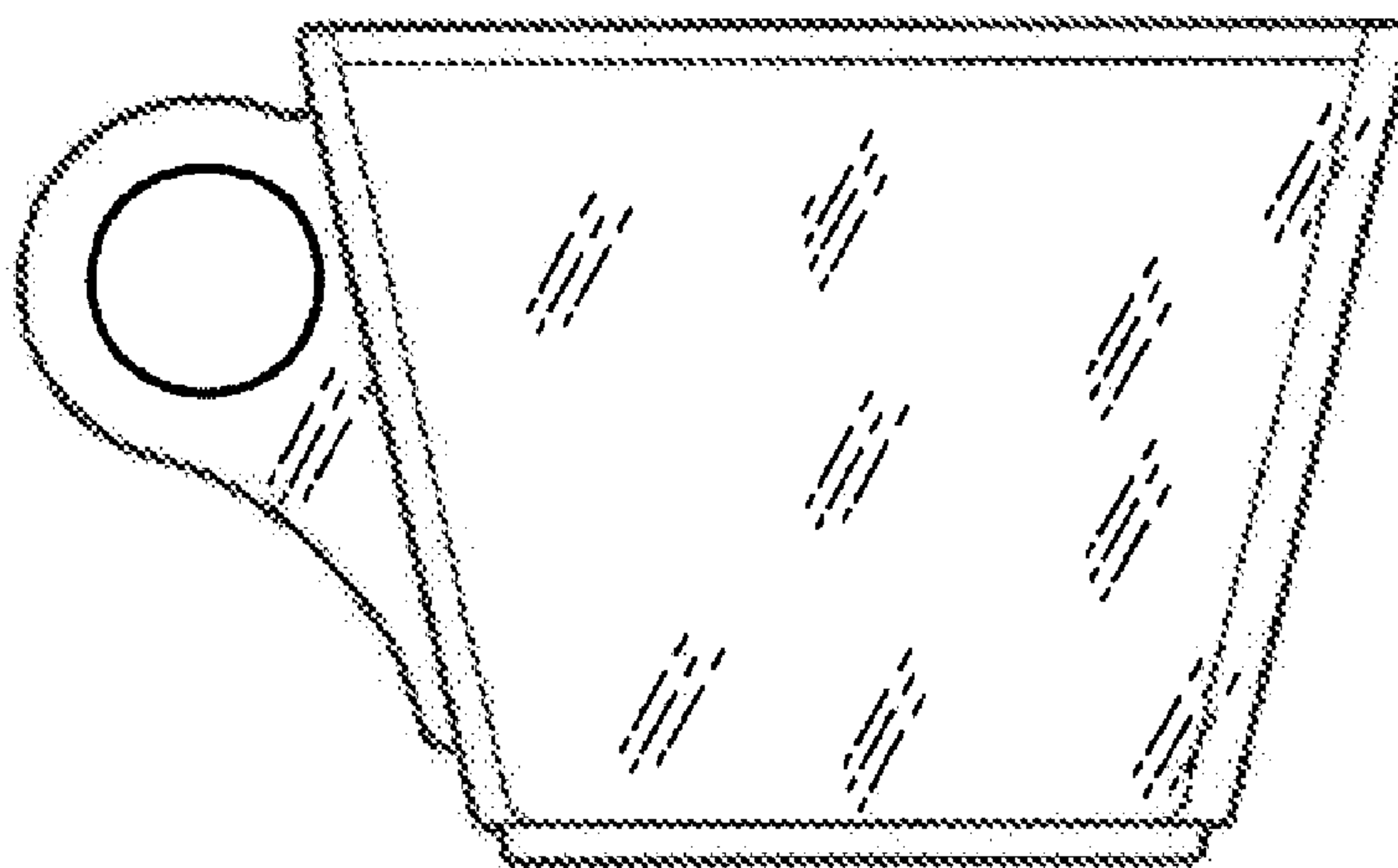


FIG. 3

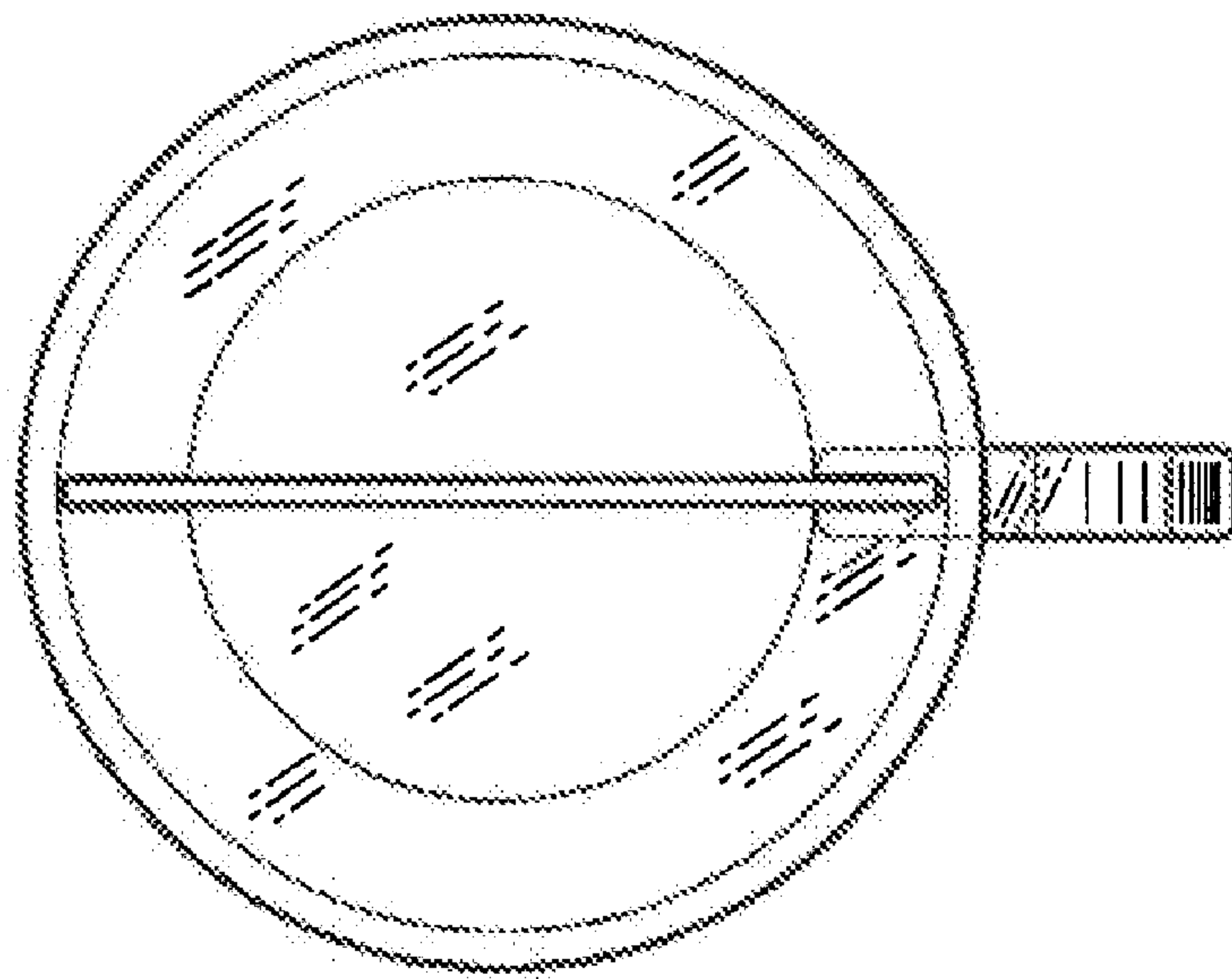


FIG. 4

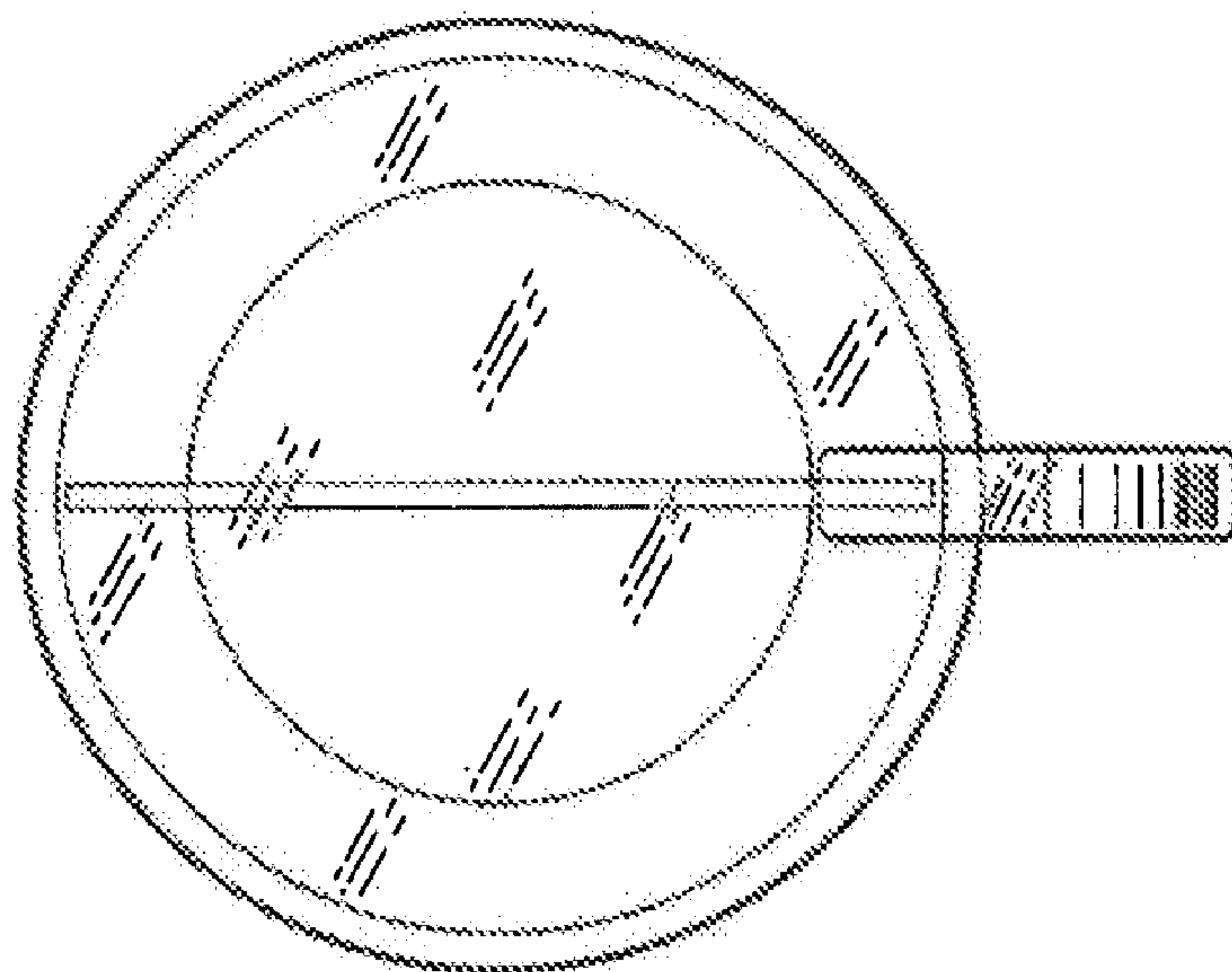


FIG. 5

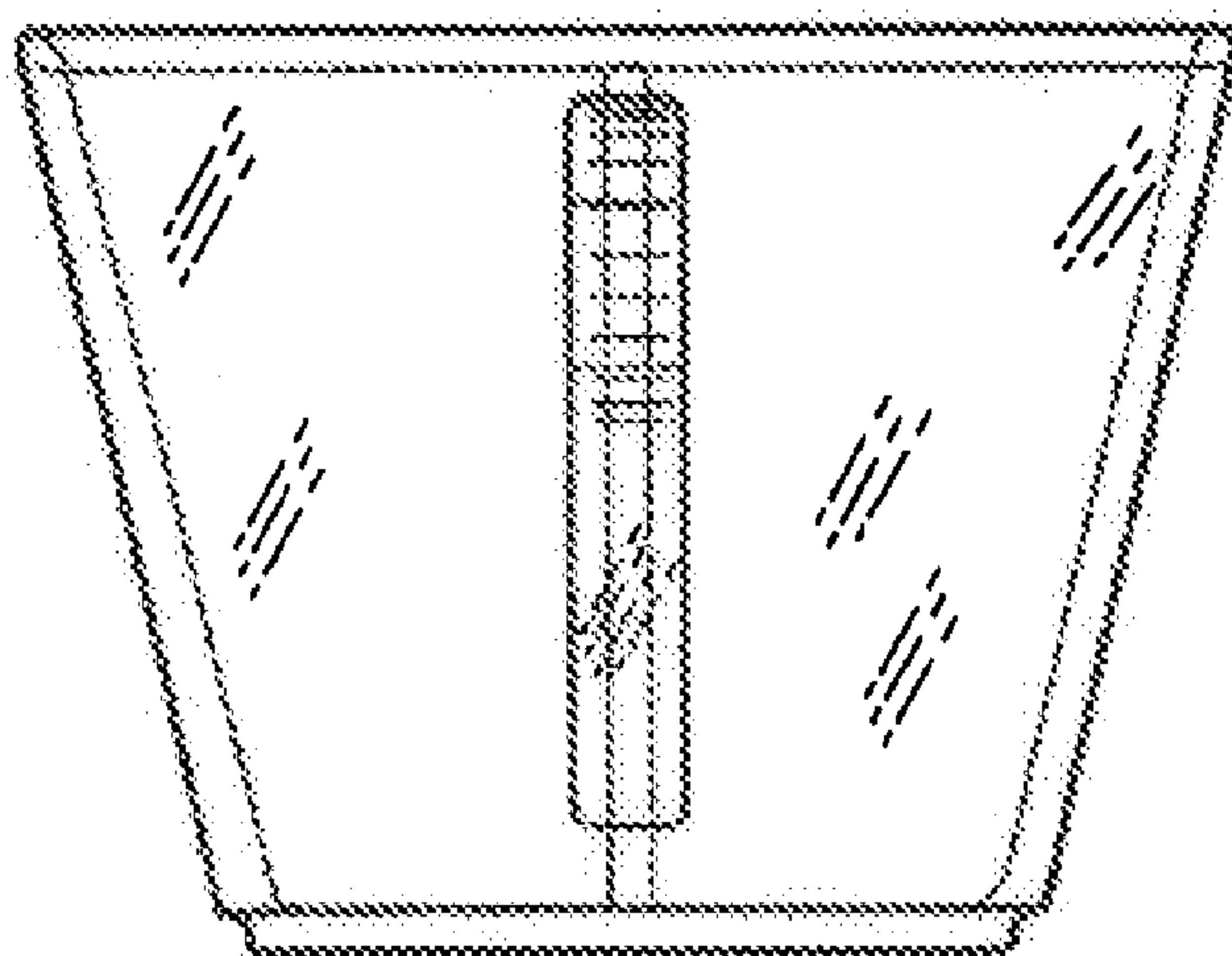


FIG. 6

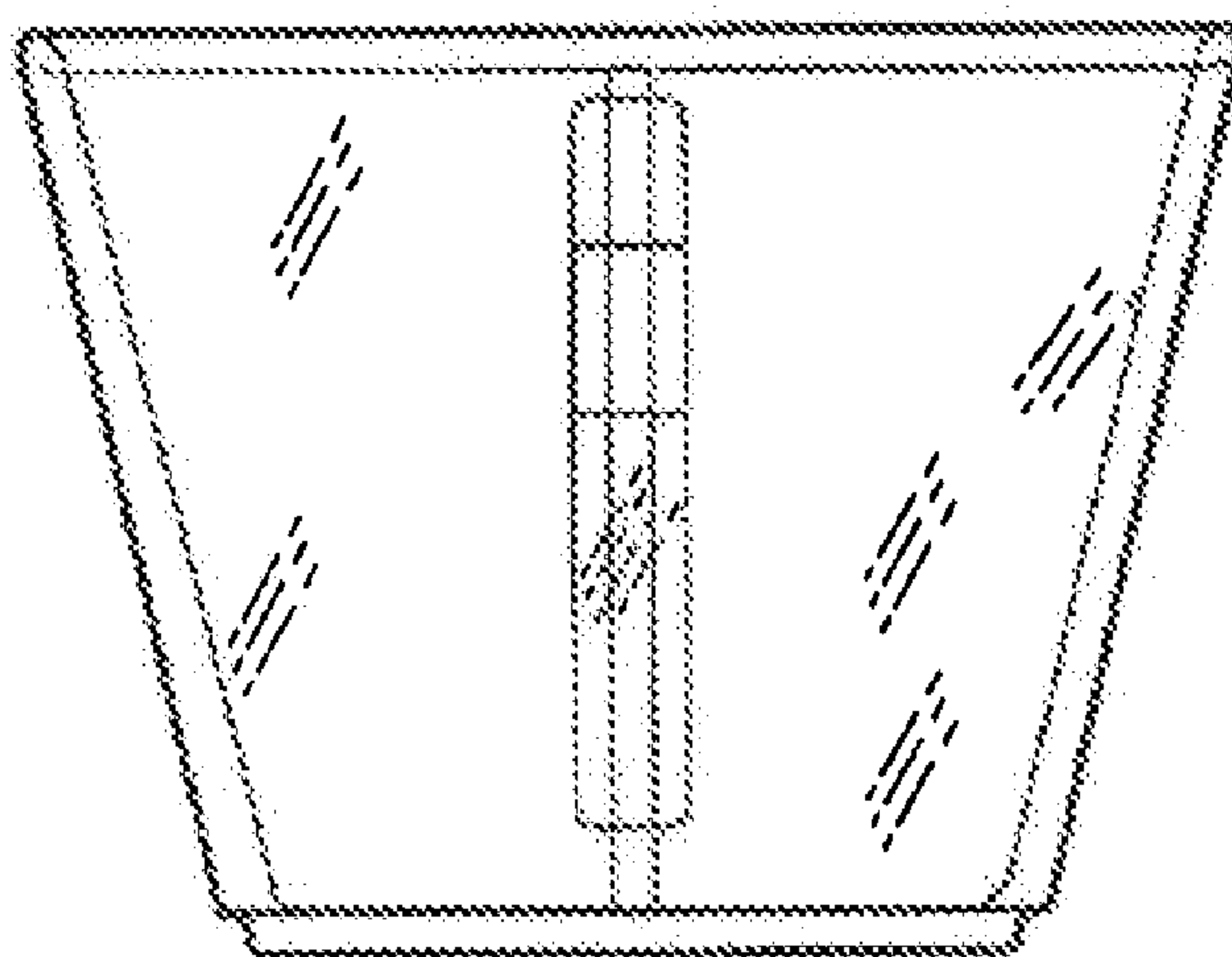


FIG. 7

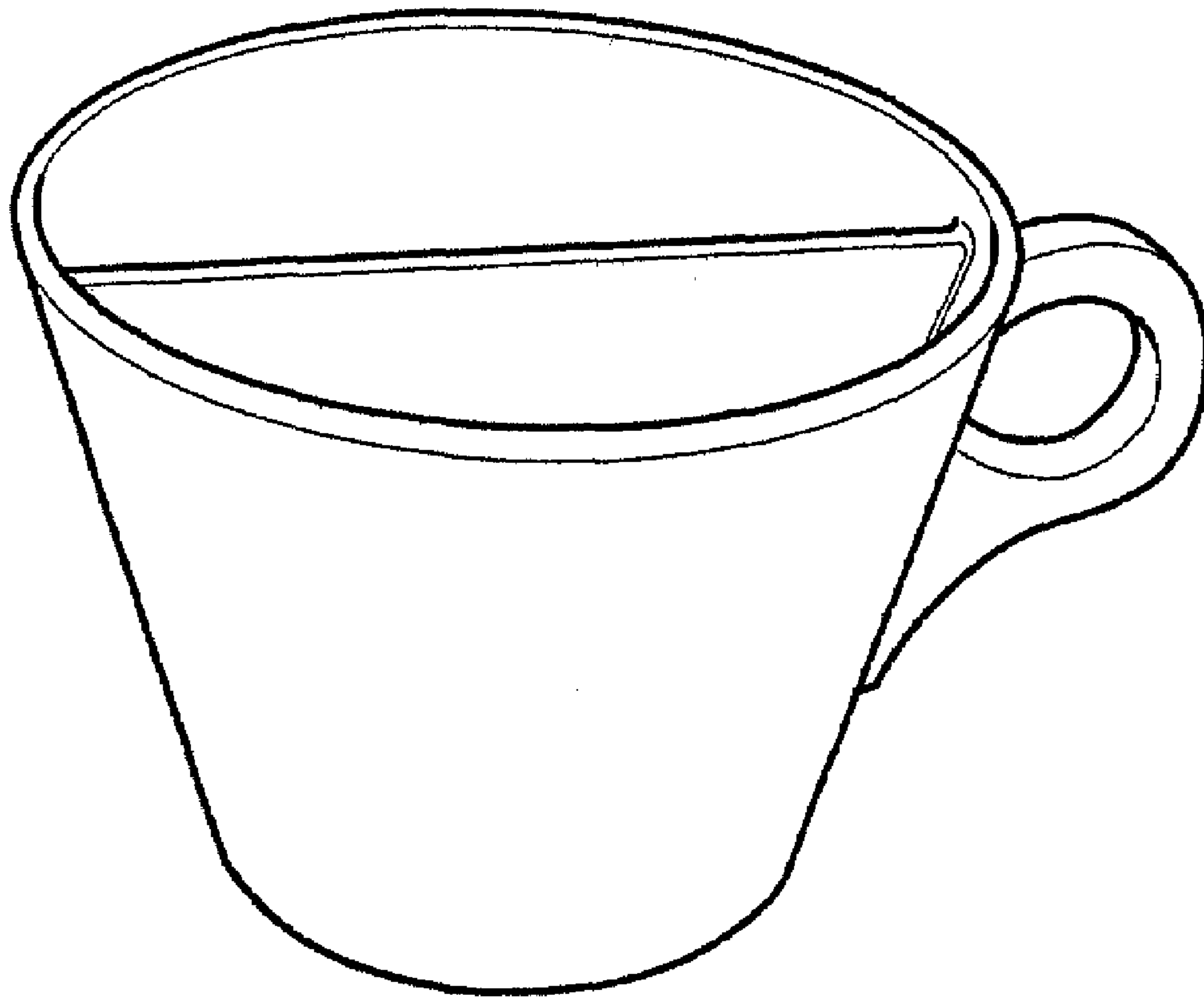


FIG. 8

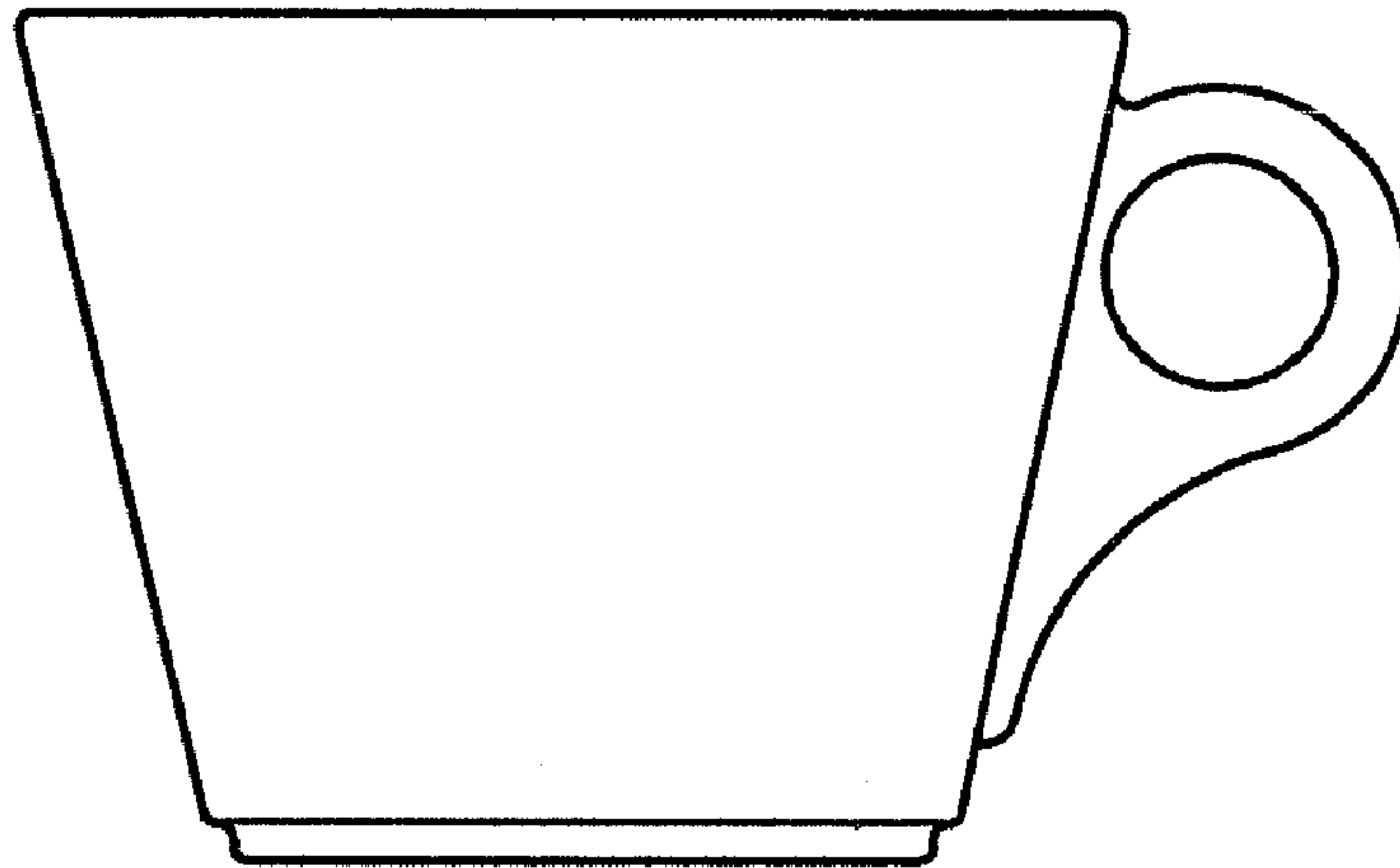


FIG. 9

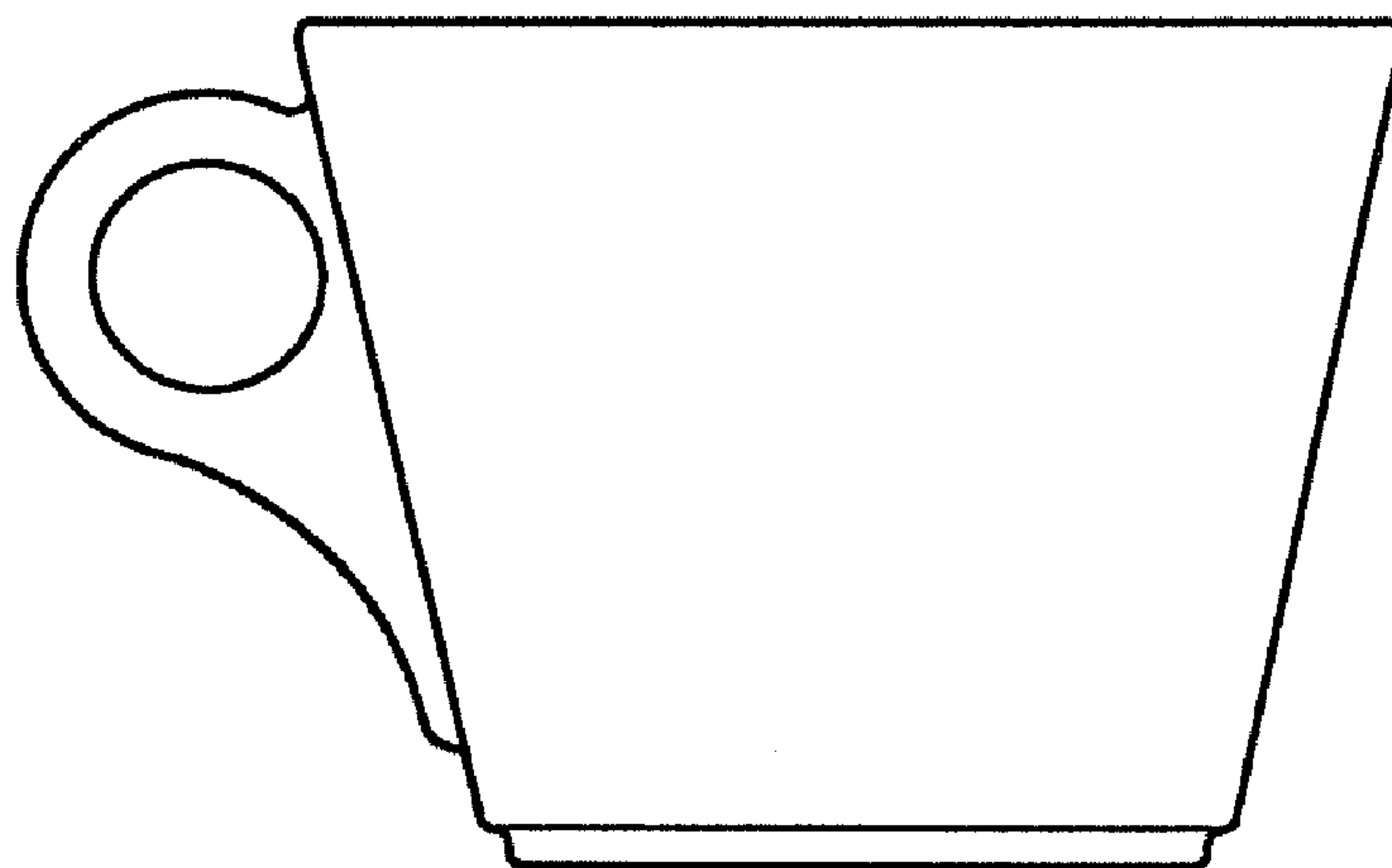


FIG. 10

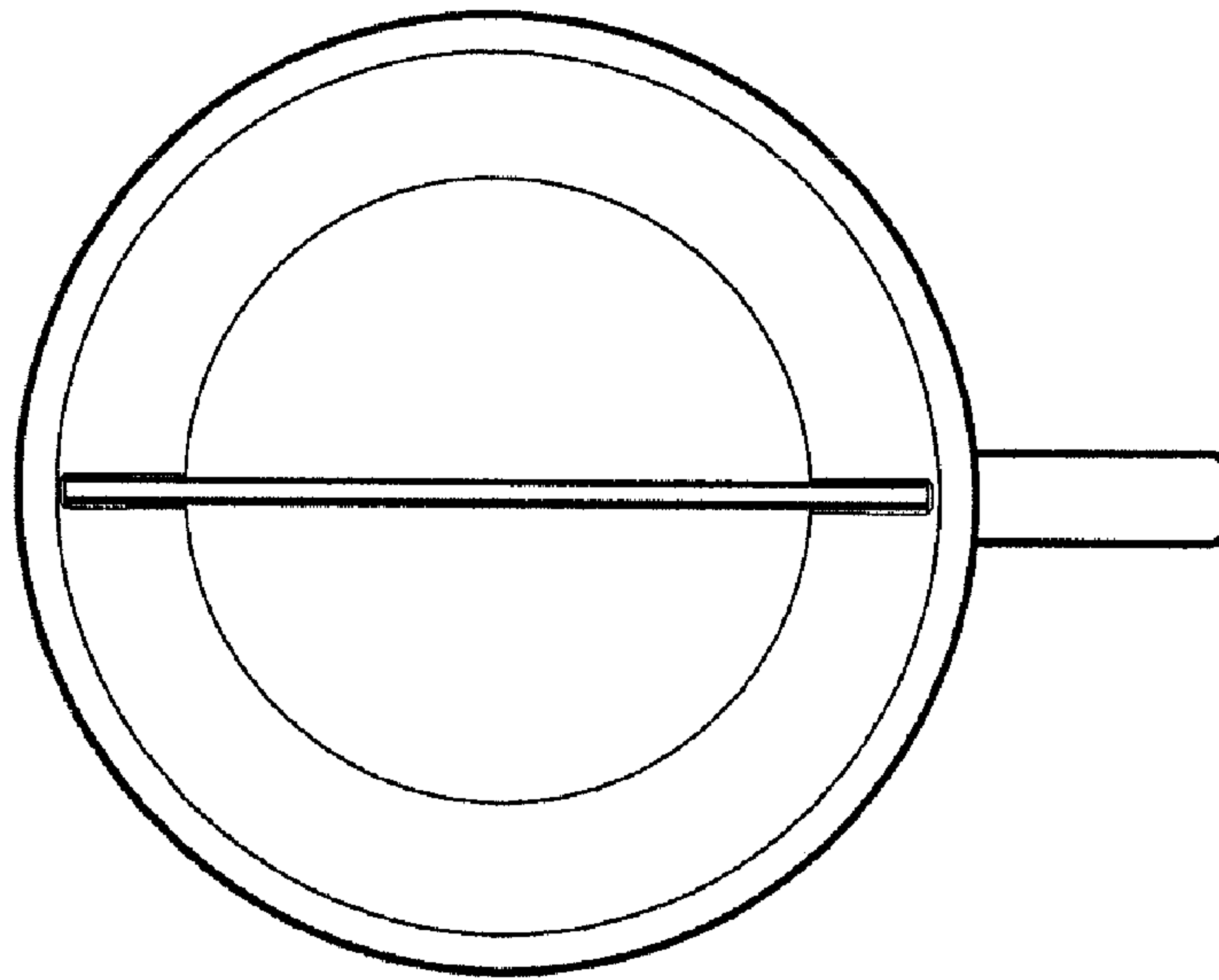


FIG. 11

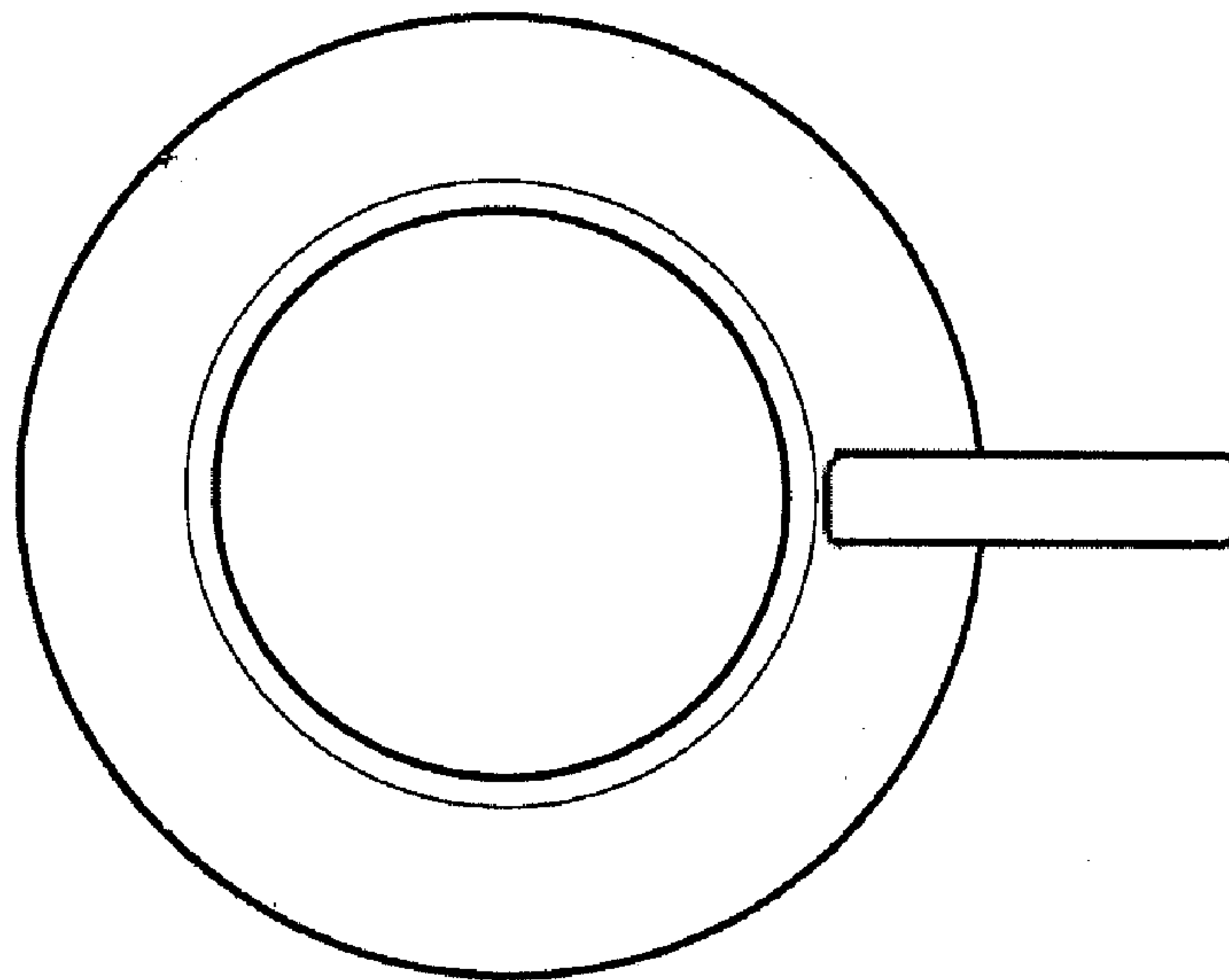


FIG. 12

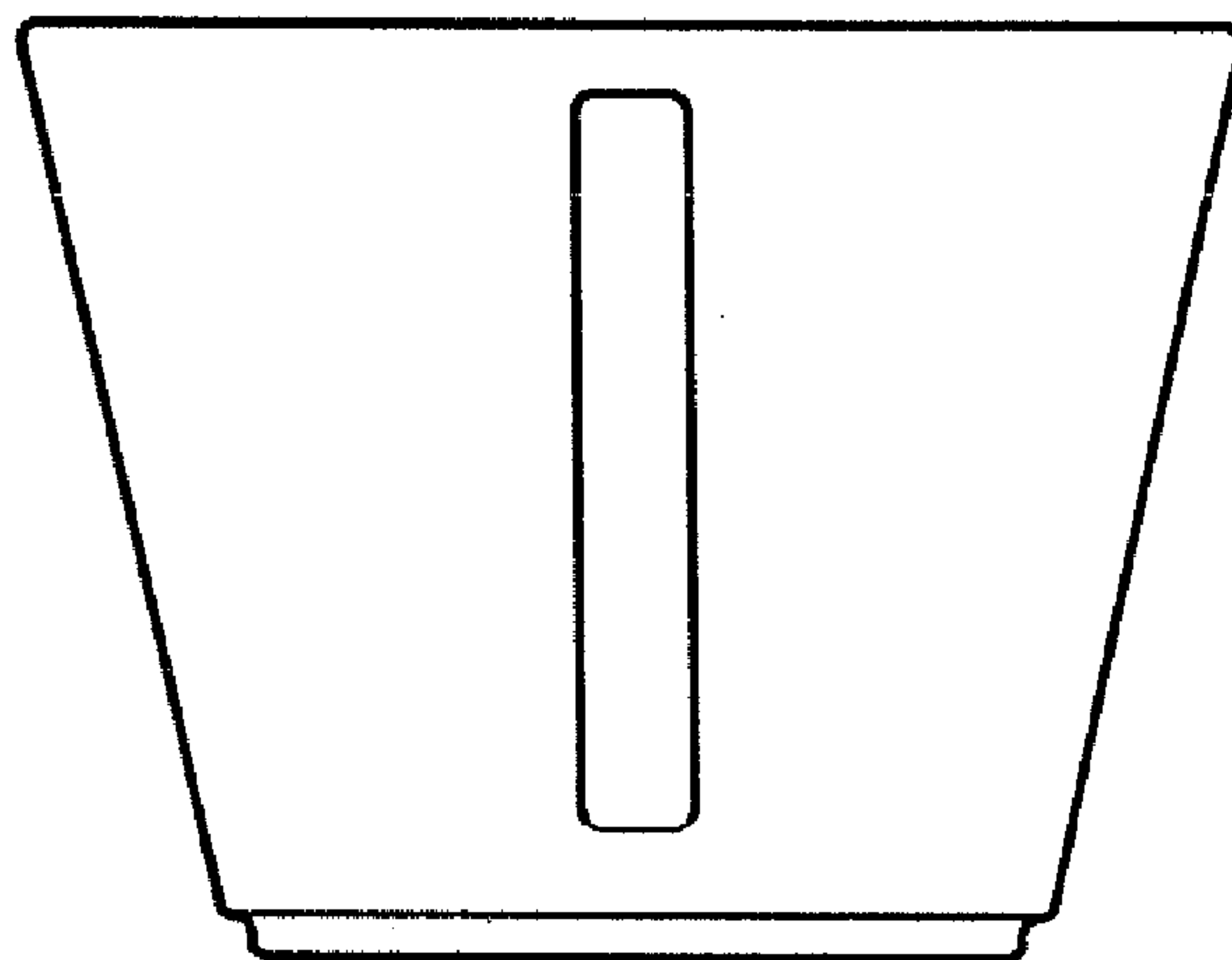


FIG. 13

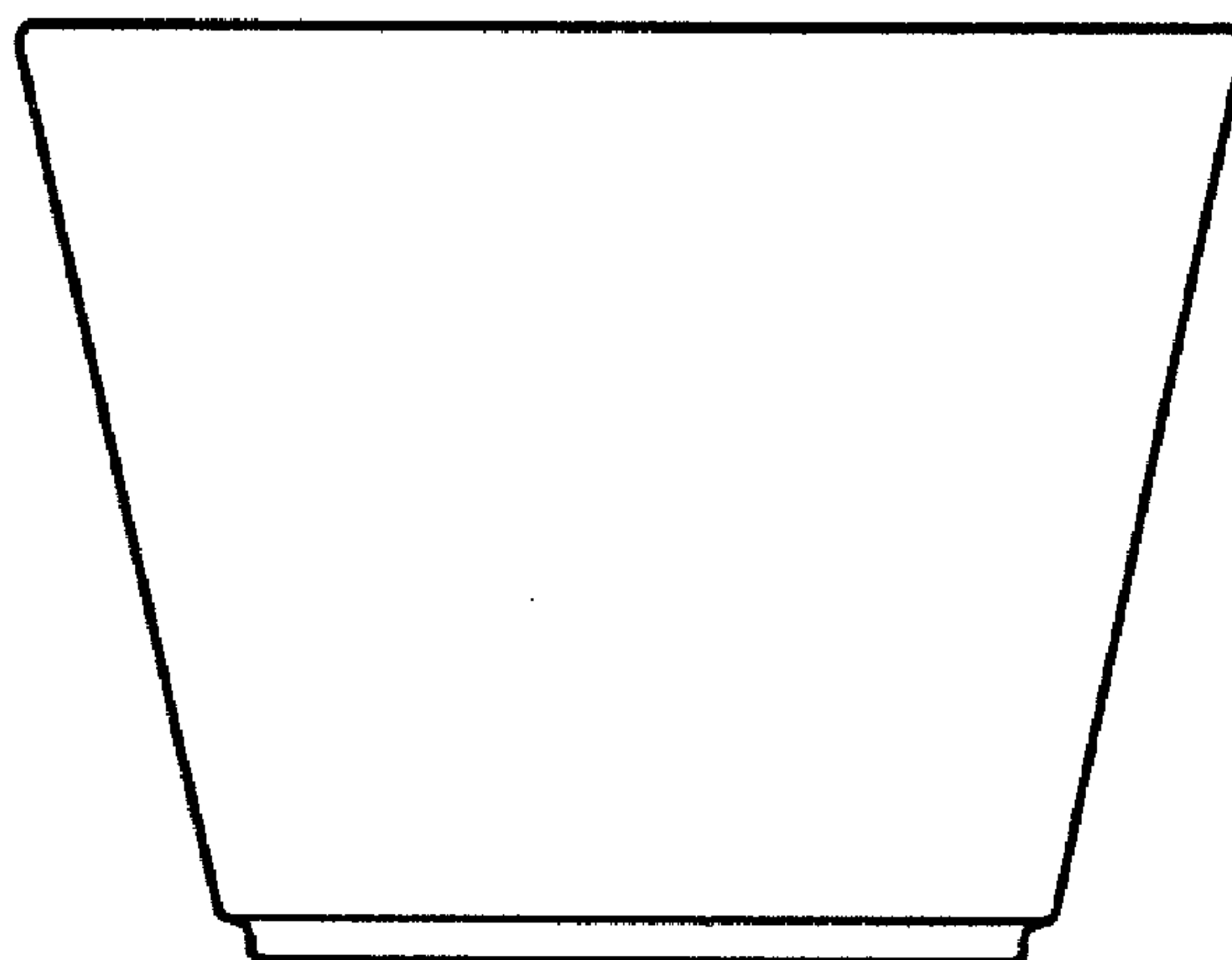


FIG. 14