



US00D557983S

(12) **United States Design Patent**
Picozza et al.

(10) **Patent No.:** **US D557,983 S**

(45) **Date of Patent:** **** Dec. 25, 2007**

(54) **BASE FOR FOOD PROCESSOR AND STEAMER**

(75) Inventors: **Augusto Picozza**, Boca Raton, FL (US); **Brooks Rorke**, Guilford, CT (US)

(73) Assignee: **Sunbeam Products, Inc.**, Boca Raton, FL (US)

(**) Term: **14 Years**

(21) Appl. No.: **29/273,921**

(22) Filed: **Mar. 15, 2007**

(51) **LOC (8) Cl.** **07-02**

(52) **U.S. Cl.** **D7/412**

(58) **Field of Classification Search** D7/300.1, D7/306, 312-326, 372-386, 412, 413, 665; D14/413; 99/327, 509-511; 241/30, 33, 241/37.5, 166-169.1, 274-278.2, 282.1-282.2, 241/285.1-285.3, 291, 101.01, 301; 366/64-67, 366/98, 100, 129, 191, 197-201, 205-207, 366/219-221, 241-254, 279-292, 325.94, 366/330.4, 341-349

See application file for complete search history.

(56) **References Cited**

U.S. PATENT DOCUMENTS

D182,689 S * 4/1958 Rutan D7/386

D320,717 S * 10/1991 O'Brien D7/384
D347,357 S * 5/1994 Gildersleeve D7/384
D367,800 S * 3/1996 Littmann D7/384
D369,511 S * 5/1996 Chen D7/384
D395,375 S * 6/1998 Hippen et al. D7/386
D419,367 S * 1/2000 Kin D7/384
D475,572 S * 6/2003 Black D7/386

* cited by examiner

Primary Examiner—Caron D. Veynar

Assistant Examiner—Ricky Pham

(74) *Attorney, Agent, or Firm*—Lawrence J. Shurupoff

(57) **CLAIM**

The ornamental design for a base for food processor and steamer, as shown and described.

DESCRIPTION

FIG. 1 is a front right top perspective view of the base for food processor and steamer showing the new design;

FIG. 2 is a left side elevational view thereof;

FIG. 3 is a front elevational view thereof;

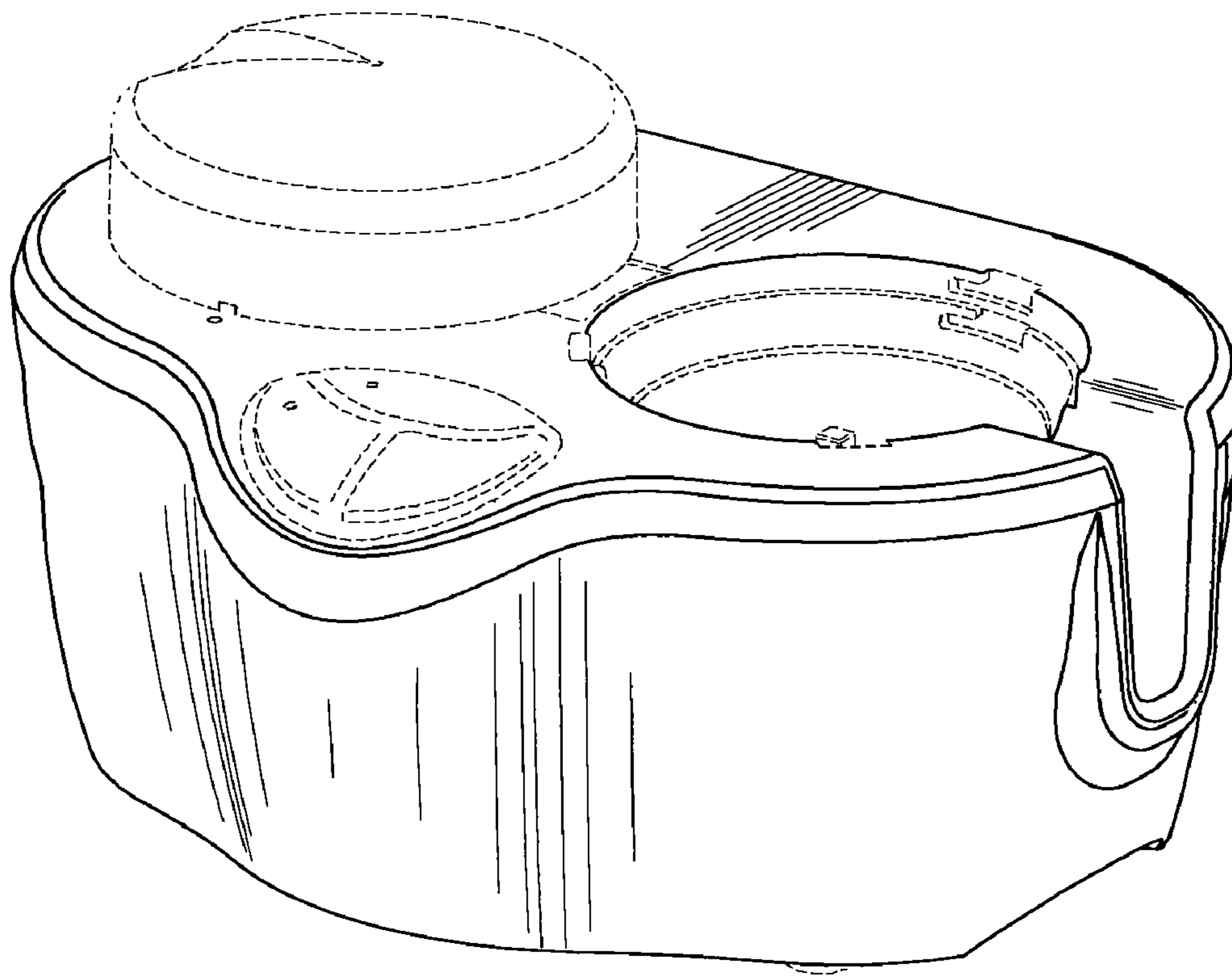
FIG. 4 is a right side elevational view thereof;

FIG. 5 is a rear elevational view thereof; and,

FIG. 6 is a top plan view thereof.

The broken lines in the drawings are for illustrative purposes only and form no part of the claimed design.

1 Claim, 6 Drawing Sheets



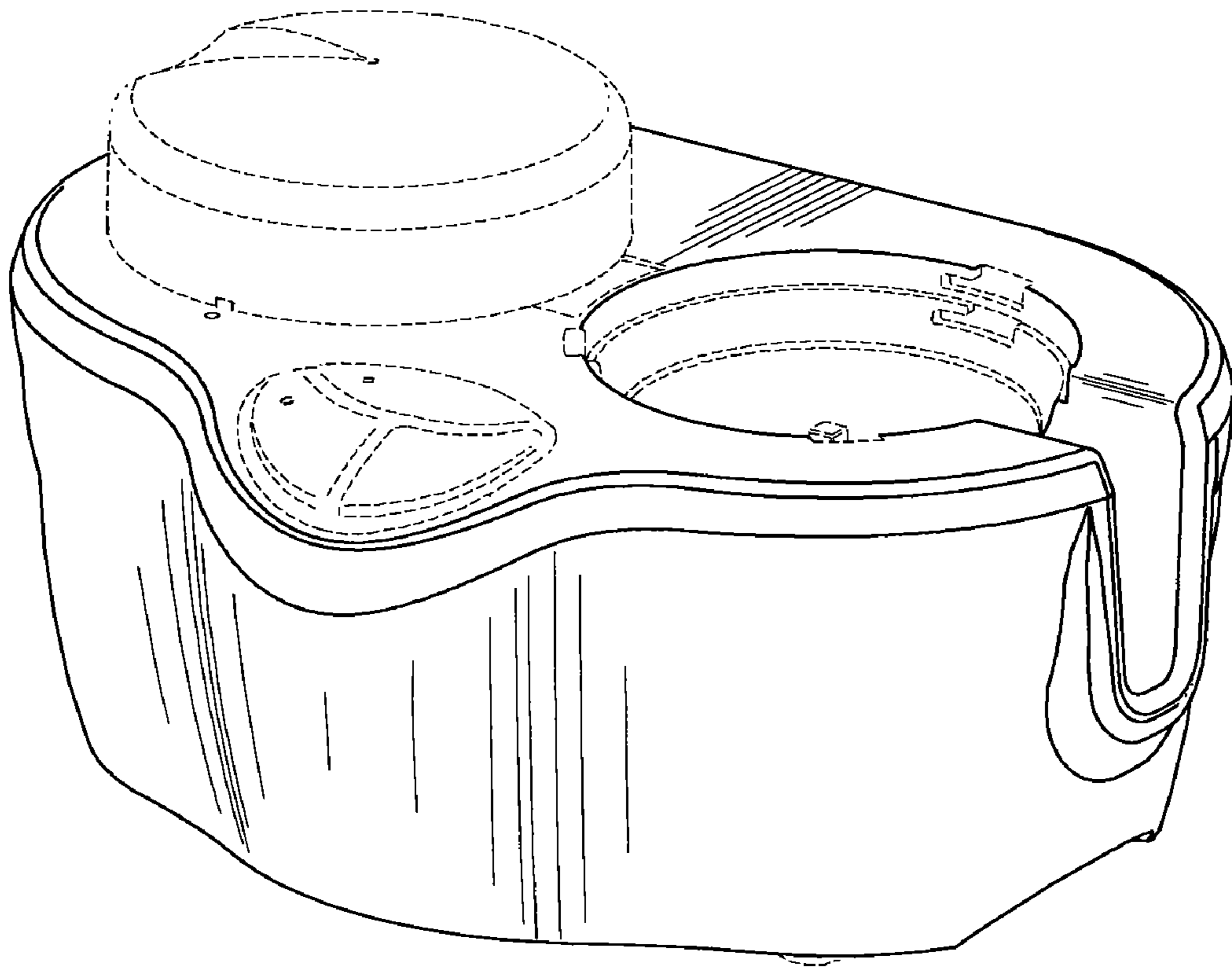


FIG 1

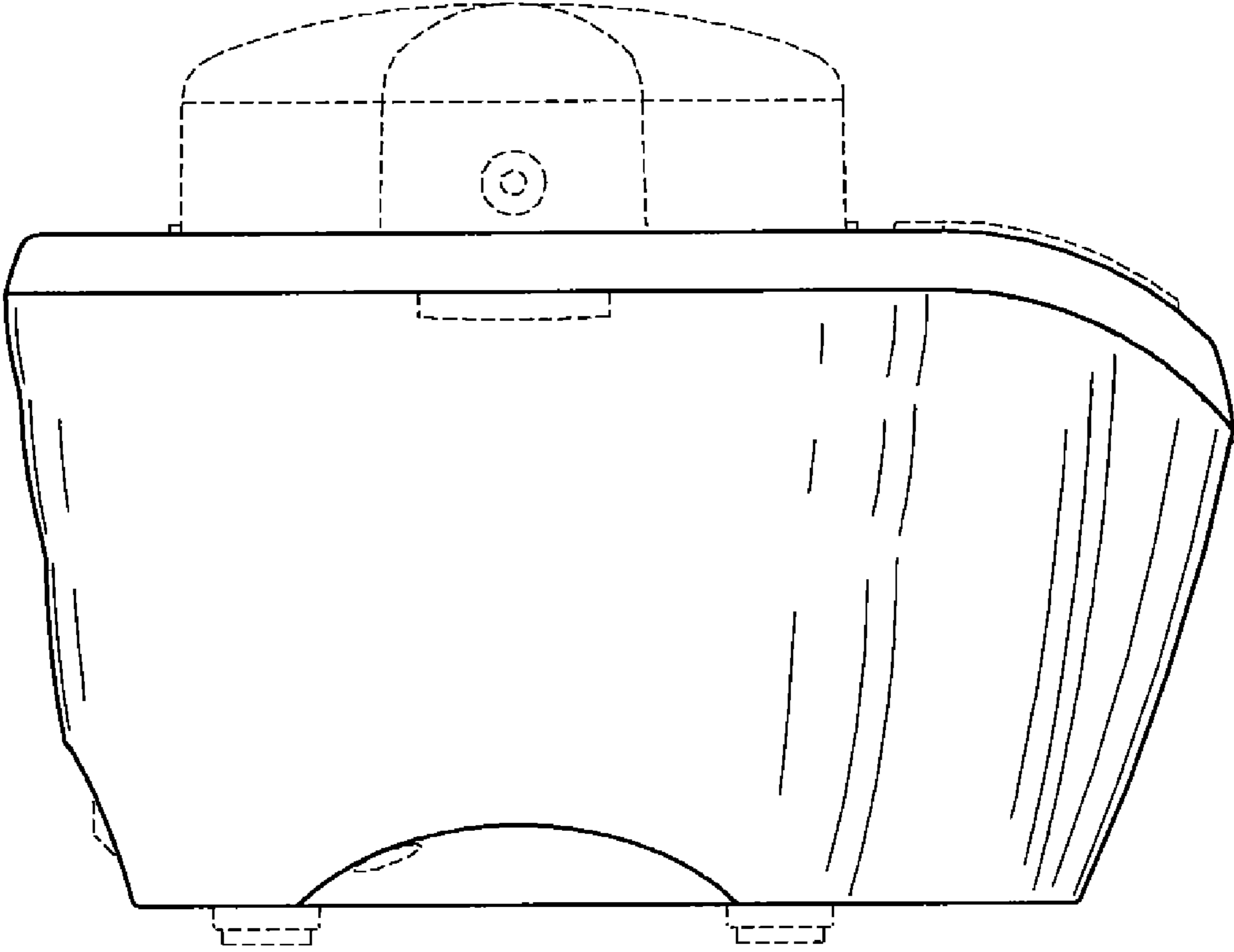


FIG 2

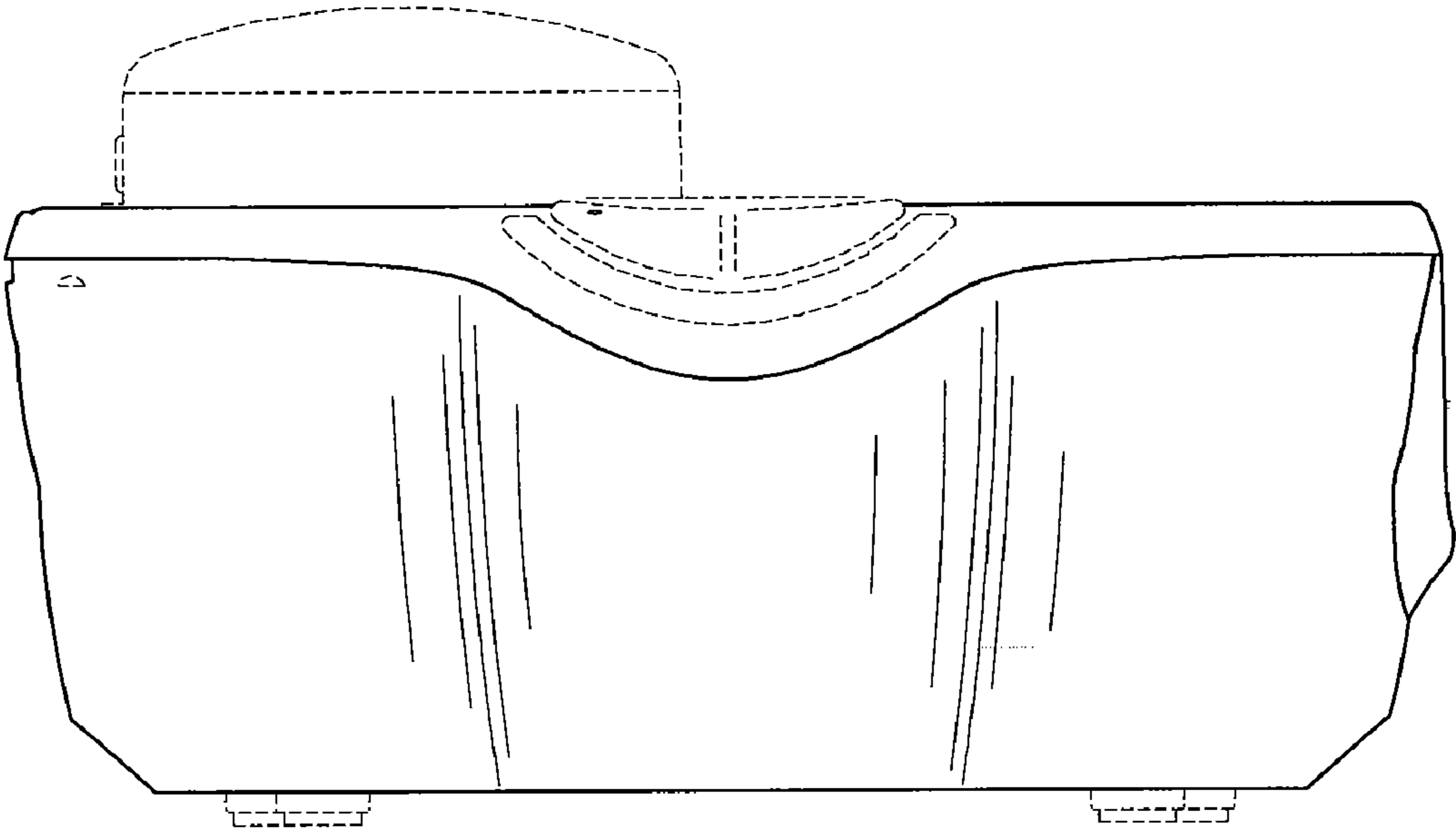


FIG 3

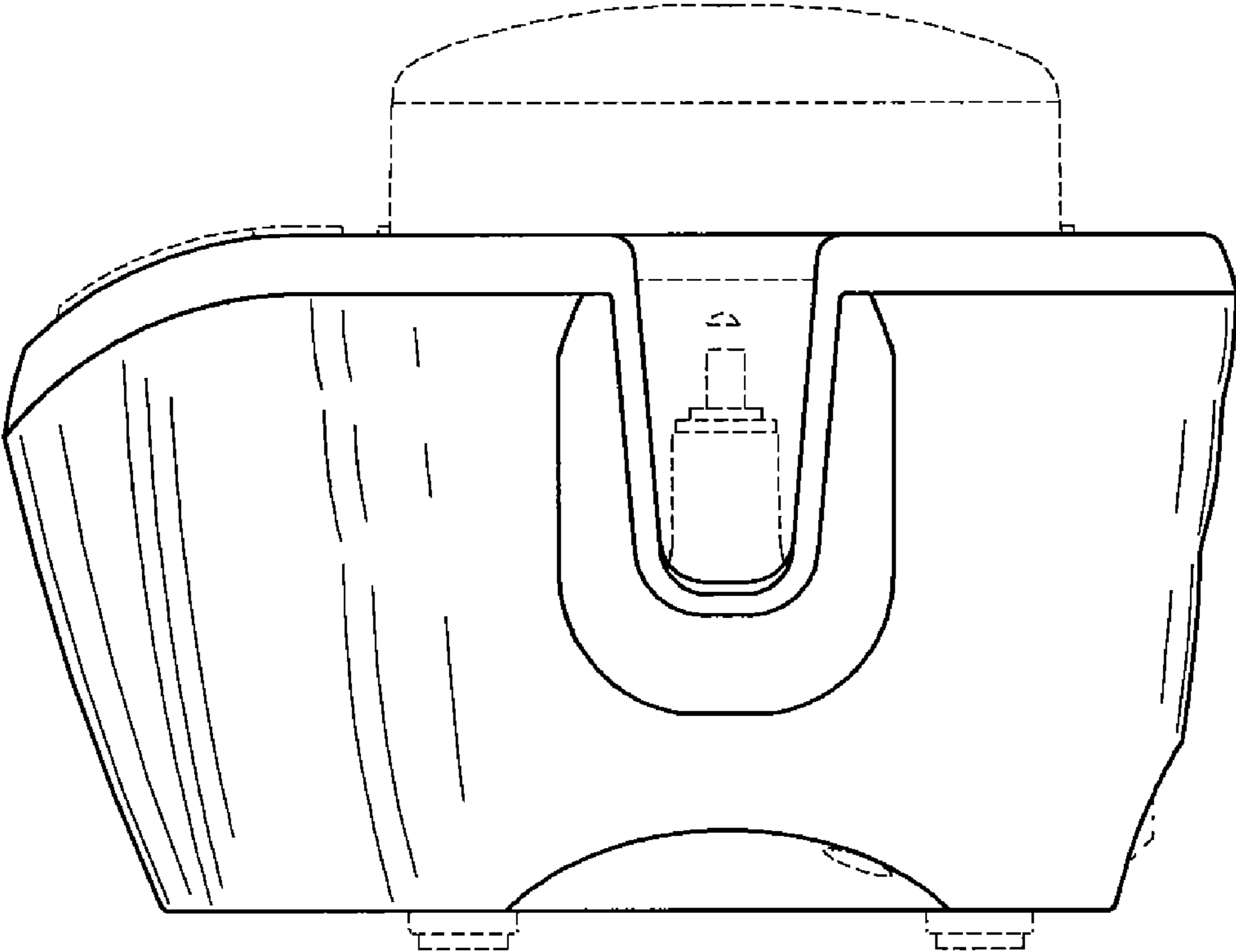


FIG 4

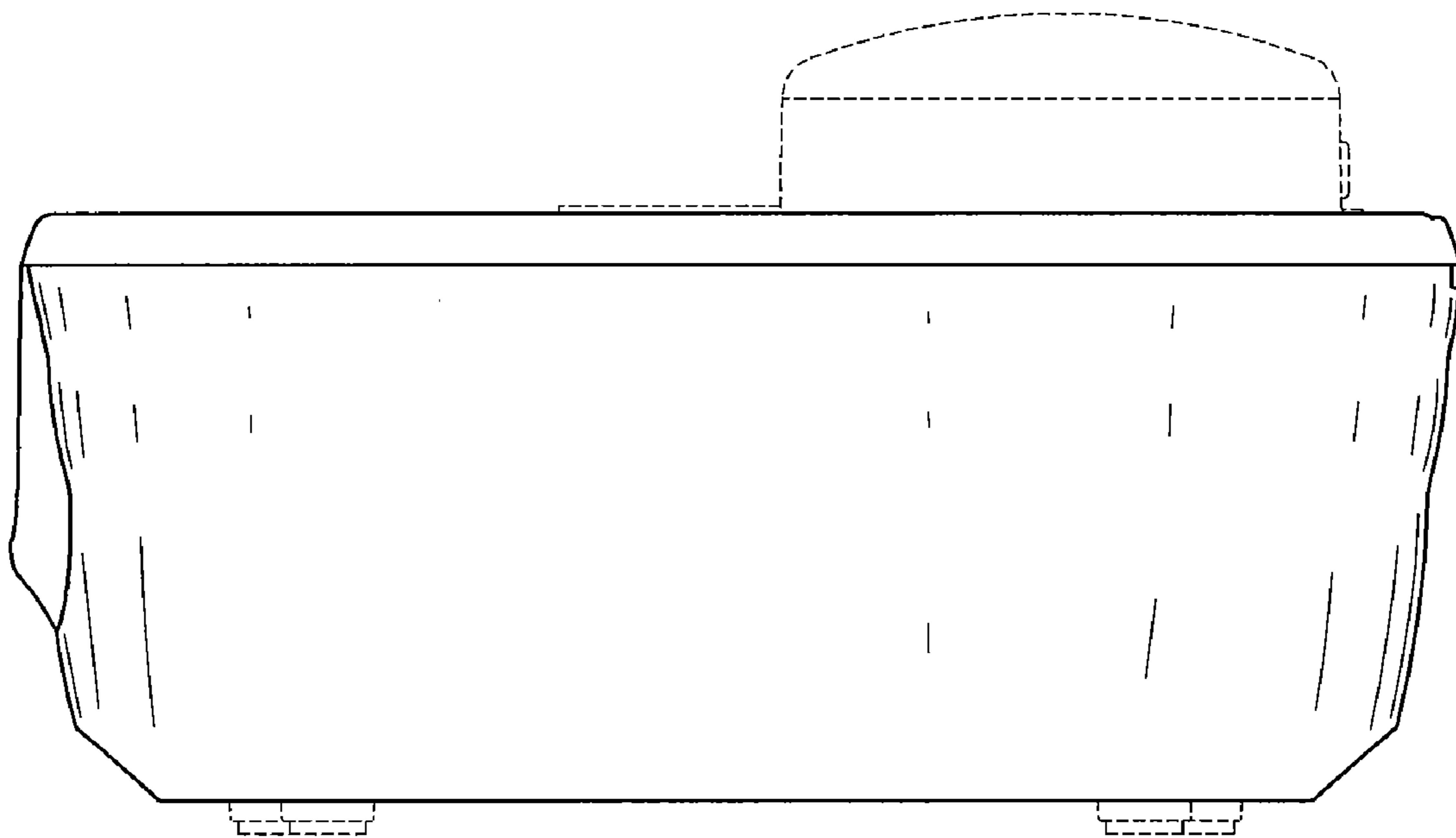


FIG 5

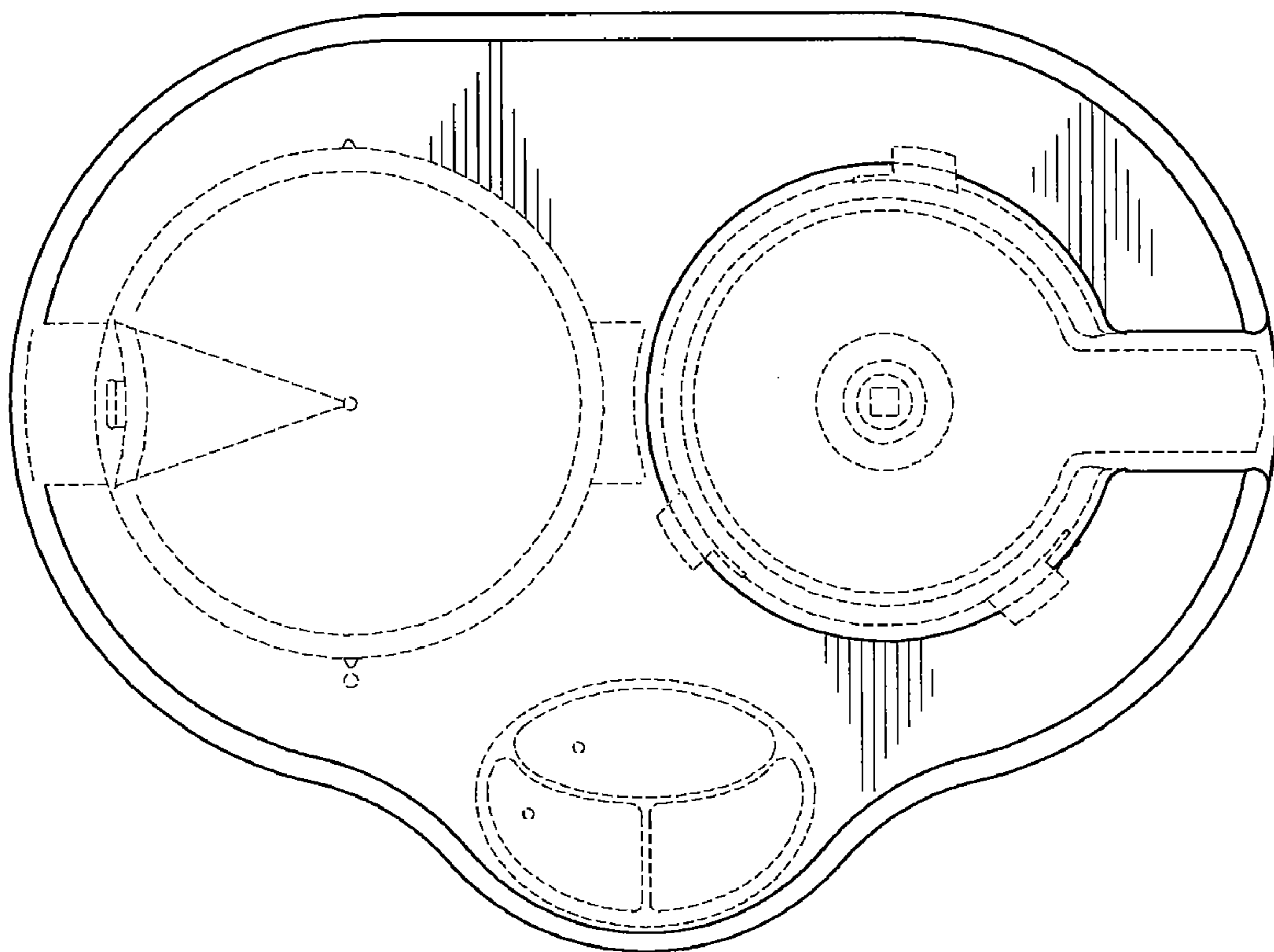


FIG 6