



US00D557978S

(12) **United States Design Patent** (10) **Patent No.:** **US D557,978 S**  
**Bodum** (45) **Date of Patent:** **\*\* Dec. 25, 2007**

(54) **DOUBLE WALL FRENCH PRESS COFFEE MAKER**

(75) Inventor: **Jørgen Bodum**, St. Niklausen (CH)

(73) Assignee: **Pi-Design AG**, Triengen (CH)

(\*\*) Term: **14 Years**

(21) Appl. No.: **29/250,932**

(22) Filed: **Dec. 6, 2006**

(30) **Foreign Application Priority Data**

Jun. 6, 2006 (DK) ..... DA 2006 00148

(51) **LOC (8) Cl.** ..... **07-01**

(52) **U.S. Cl.** ..... **D7/399; D7/397**

(58) **Field of Classification Search** ..... D7/303,  
D7/306, 309, 316-319, 368, 372, 373, 387,  
D7/392, 394, 396, 397, 399, 402, 667, 669,  
D7/400, 647; D6/361; D9/434, 435, 447;  
D23/209; 99/275, 279, 297, 283, 303, 315,  
99/495; 100/110, 125, 234, 289; 137/148;  
150/901; 210/348, 469; 215/10; 220/4.01,  
220/592.26; 222/1, 318, 449; 426/433

See application file for complete search history.

(56) **References Cited**

**U.S. PATENT DOCUMENTS**

D234,666 S \* 4/1975 Hnason ..... D7/317  
D368,404 S \* 4/1996 Zive ..... D7/318  
D372,627 S \* 8/1996 Ireland ..... D7/319  
5,770,074 A \* 6/1998 Pugh ..... 210/474  
5,852,965 A \* 12/1998 Kim ..... 99/281  
5,943,946 A \* 8/1999 Chen ..... 99/297  
6,079,316 A \* 6/2000 Barden et al. .... 99/297  
6,152,018 A \* 11/2000 Yeh ..... 99/279  
6,231,909 B1 \* 5/2001 Levinson ..... 426/433  
D449,957 S \* 11/2001 Yeh ..... D7/319  
6,786,440 B2 \* 9/2004 Ling et al. .... 241/301  
6,797,160 B2 \* 9/2004 Huang ..... 210/117  
7,032,505 B2 \* 4/2006 Brady ..... 99/297

**OTHER PUBLICATIONS**

[http://www.bodumusa.com/shop/group\\_coffee.asp?CHK=&SLT=&MD=1&mscssid=NBK9MQKUH6C9K1PRX9MFQTMJ9SMF3N4.\\*](http://www.bodumusa.com/shop/group_coffee.asp?CHK=&SLT=&MD=1&mscssid=NBK9MQKUH6C9K1PRX9MFQTMJ9SMF3N4.*)  
[http://www.bodumusa.com/shop/line.asp?MD=1&GID=3&LID=19&CHK=&SLT=&mscssid=NBK9MQKUH6C9K1PRX9MFQTMJ9SMF3N4.\\*](http://www.bodumusa.com/shop/line.asp?MD=1&GID=3&LID=19&CHK=&SLT=&mscssid=NBK9MQKUH6C9K1PRX9MFQTMJ9SMF3N4.*)  
[http://www.bodumusa.com/shop/line.asp?MD=1&GID=3&LID=11&CHK=&SLT=&mscssid=NBK9MQKUH6C9K1PRX9MFQTMJ9SMF3N4.\\*](http://www.bodumusa.com/shop/line.asp?MD=1&GID=3&LID=11&CHK=&SLT=&mscssid=NBK9MQKUH6C9K1PRX9MFQTMJ9SMF3N4.*)  
[http://www.bodumusa.com/shop/group\\_lines.asp?MD=1&GID=6&CHK=&SLT=&mscssid=NBK9MQKUH6C9K1PRX9MFQTMJ9SMF3N4.\\*](http://www.bodumusa.com/shop/group_lines.asp?MD=1&GID=6&CHK=&SLT=&mscssid=NBK9MQKUH6C9K1PRX9MFQTMJ9SMF3N4.*)  
[http://www.bodumusa.com/shop/group\\_lines.asp?MD=1&GID=4&CHK=&SLT=&mscssid=NBK9MQKUH6C9K1PRX9MFQTMJ9SMF3N4.\\*](http://www.bodumusa.com/shop/group_lines.asp?MD=1&GID=4&CHK=&SLT=&mscssid=NBK9MQKUH6C9K1PRX9MFQTMJ9SMF3N4.*)

\* cited by examiner

*Primary Examiner*—Philip S. Hyder

*Assistant Examiner*—Cynthia Underwood

(74) *Attorney, Agent, or Firm*—Cowan, Liebowitz & Latman PC

(57) **CLAIM**

The ornamental design for a double wall french press coffee maker, as shown and described.

**DESCRIPTION**

FIG. 1 is a perspective view of the double wall french press coffee maker, showing my design thereof;

FIG. 2 is a front view thereof;

FIG. 3 is a back view thereof;

FIG. 4 is a right side view thereof;

FIG. 5 is a left side view thereof;

FIG. 6 is a top view thereof;

FIG. 7 is a bottom view thereof; and,

FIG. 8 is a cross-sectional view thereof taken along line 8—8 of FIG. 6.

**1 Claim, 7 Drawing Sheets**

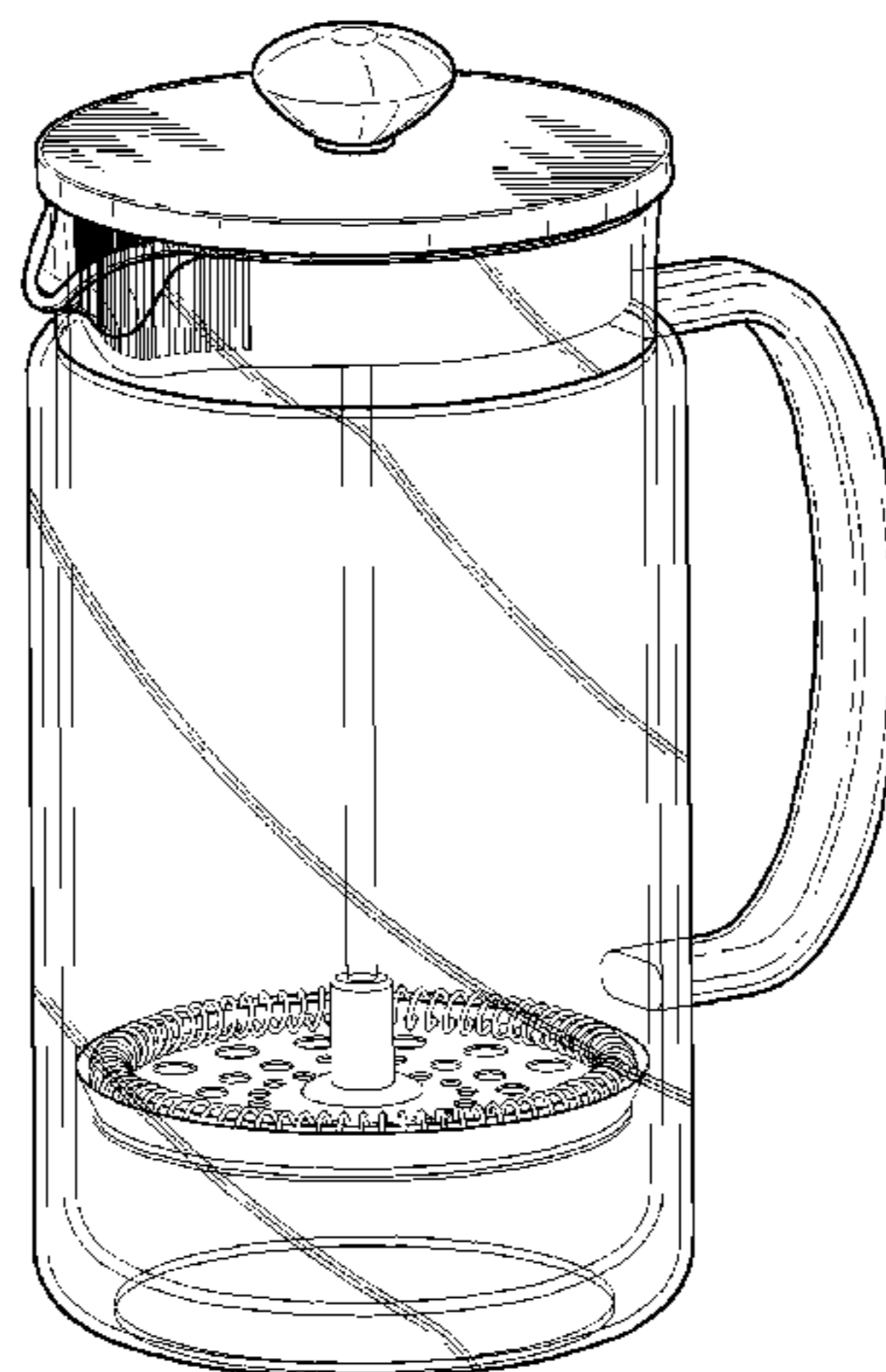




FIG. 1

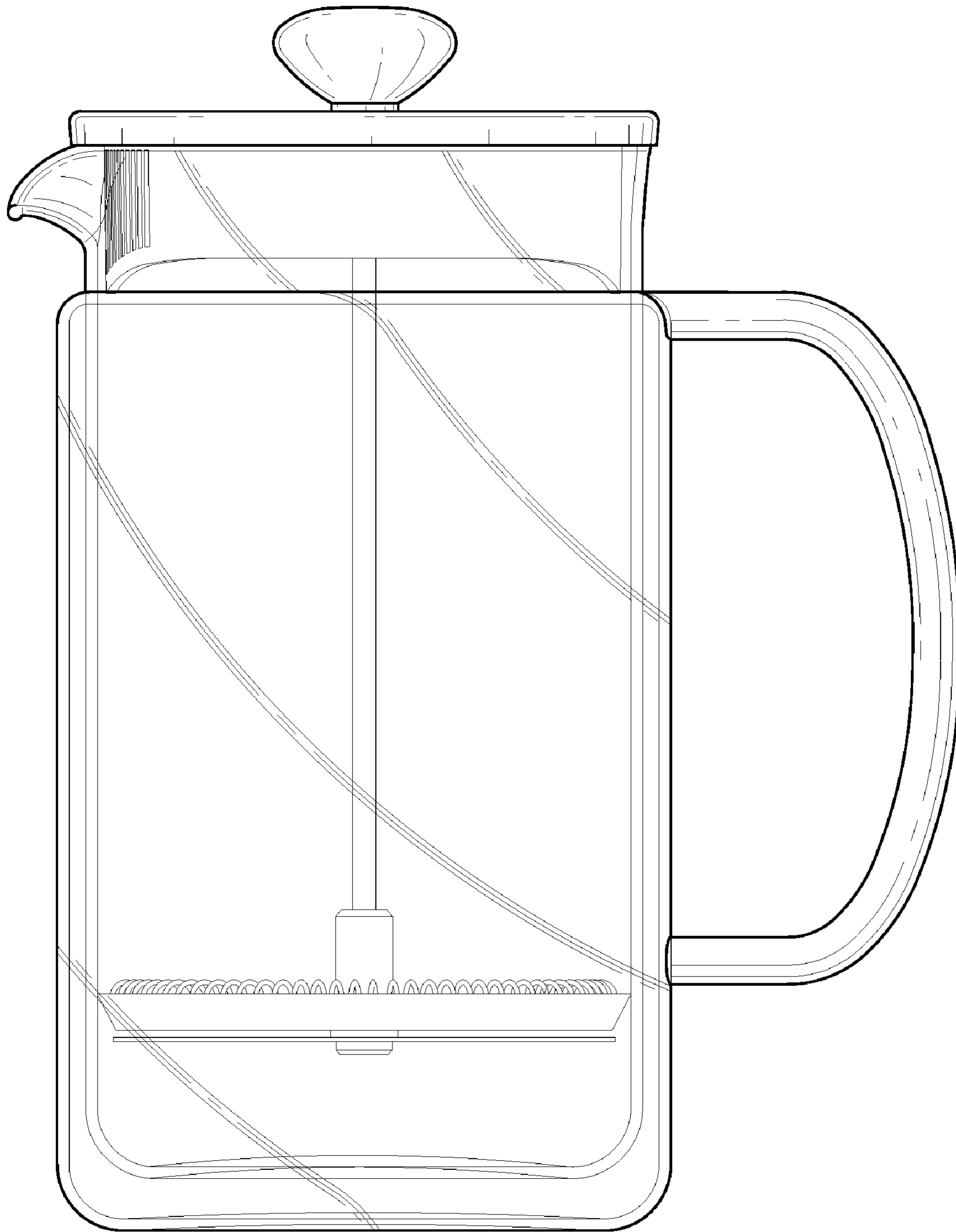


FIG. 2

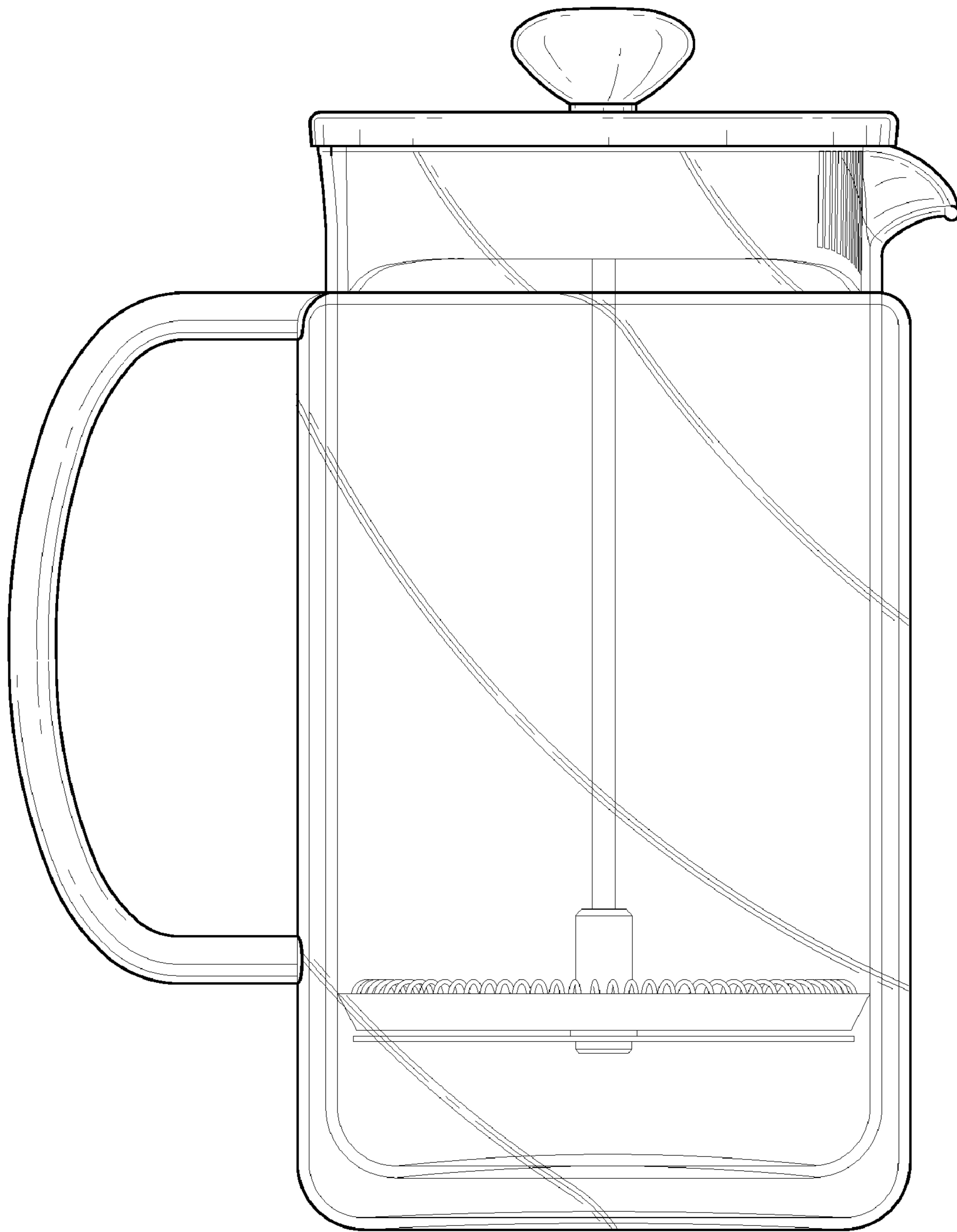


FIG. 3

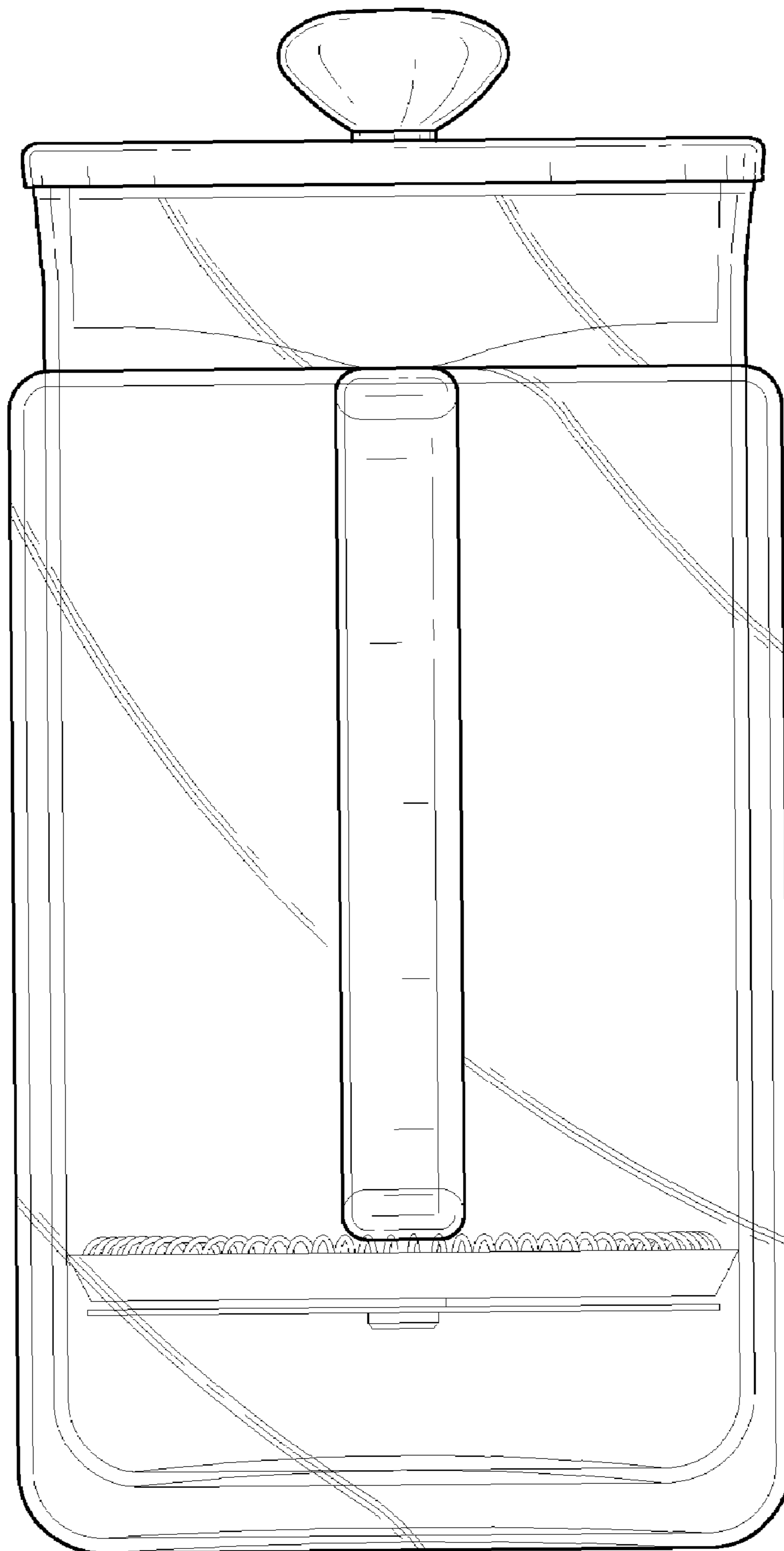


FIG. 4



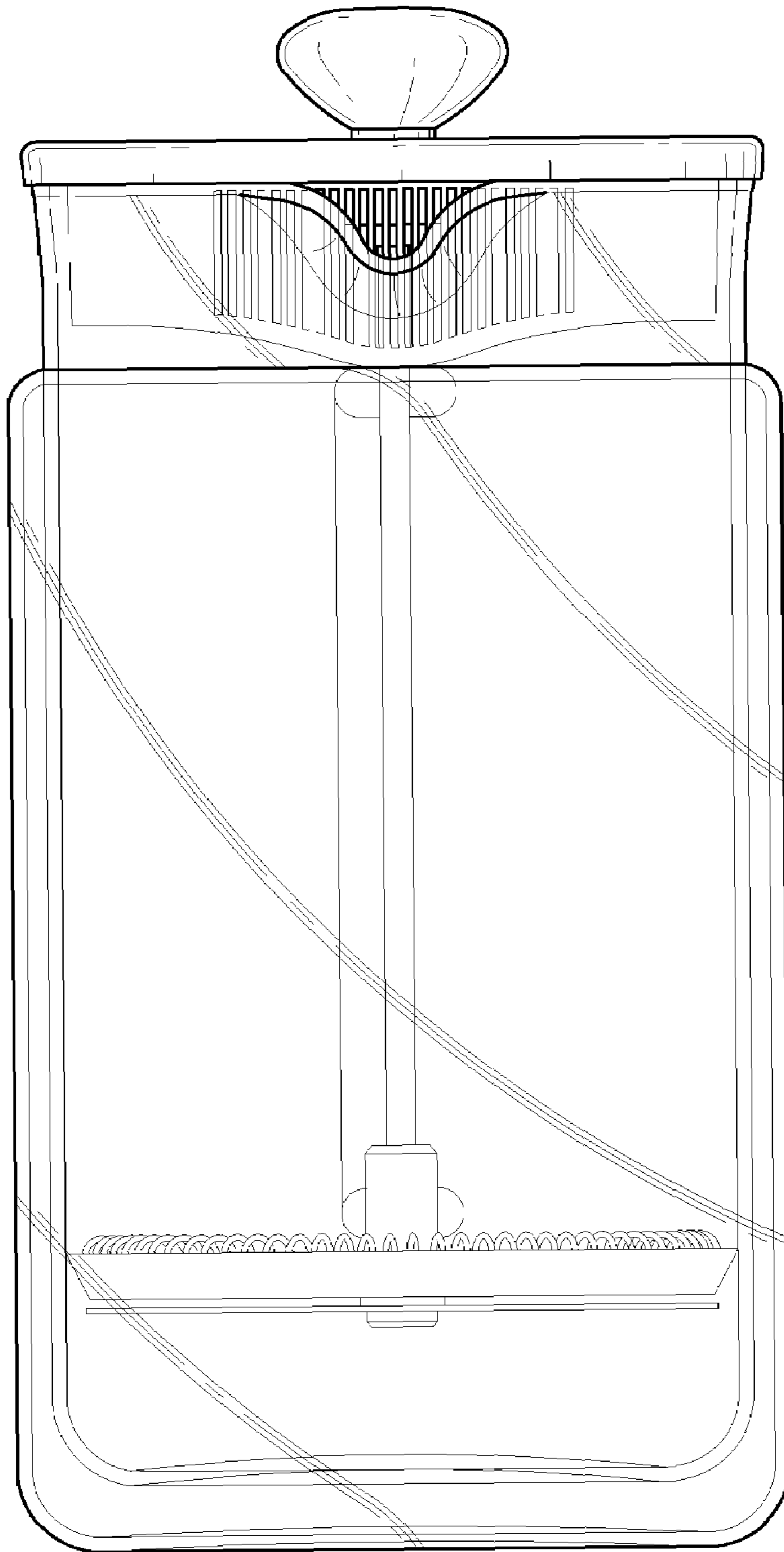


FIG. 5

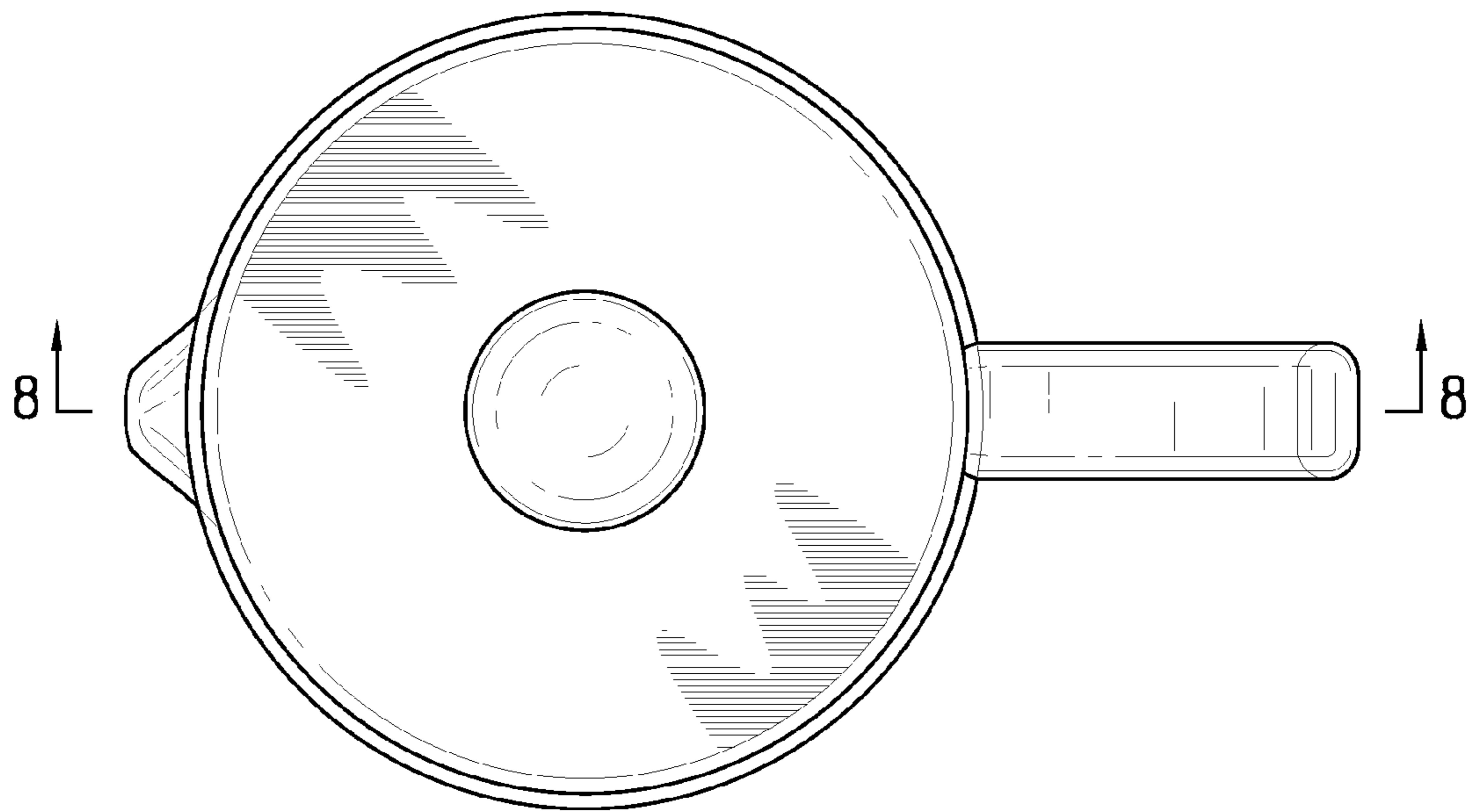


FIG. 6

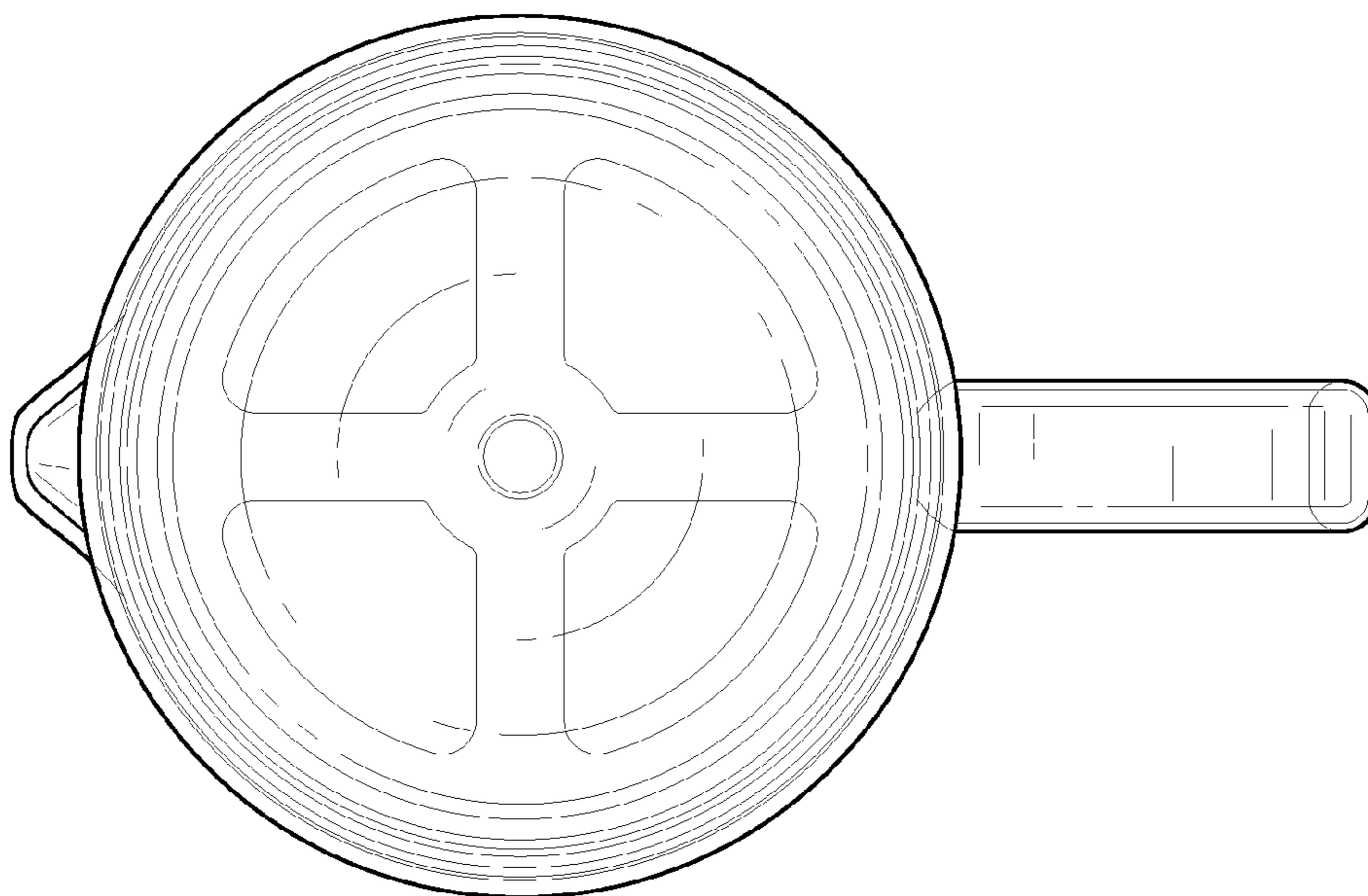


FIG. 7

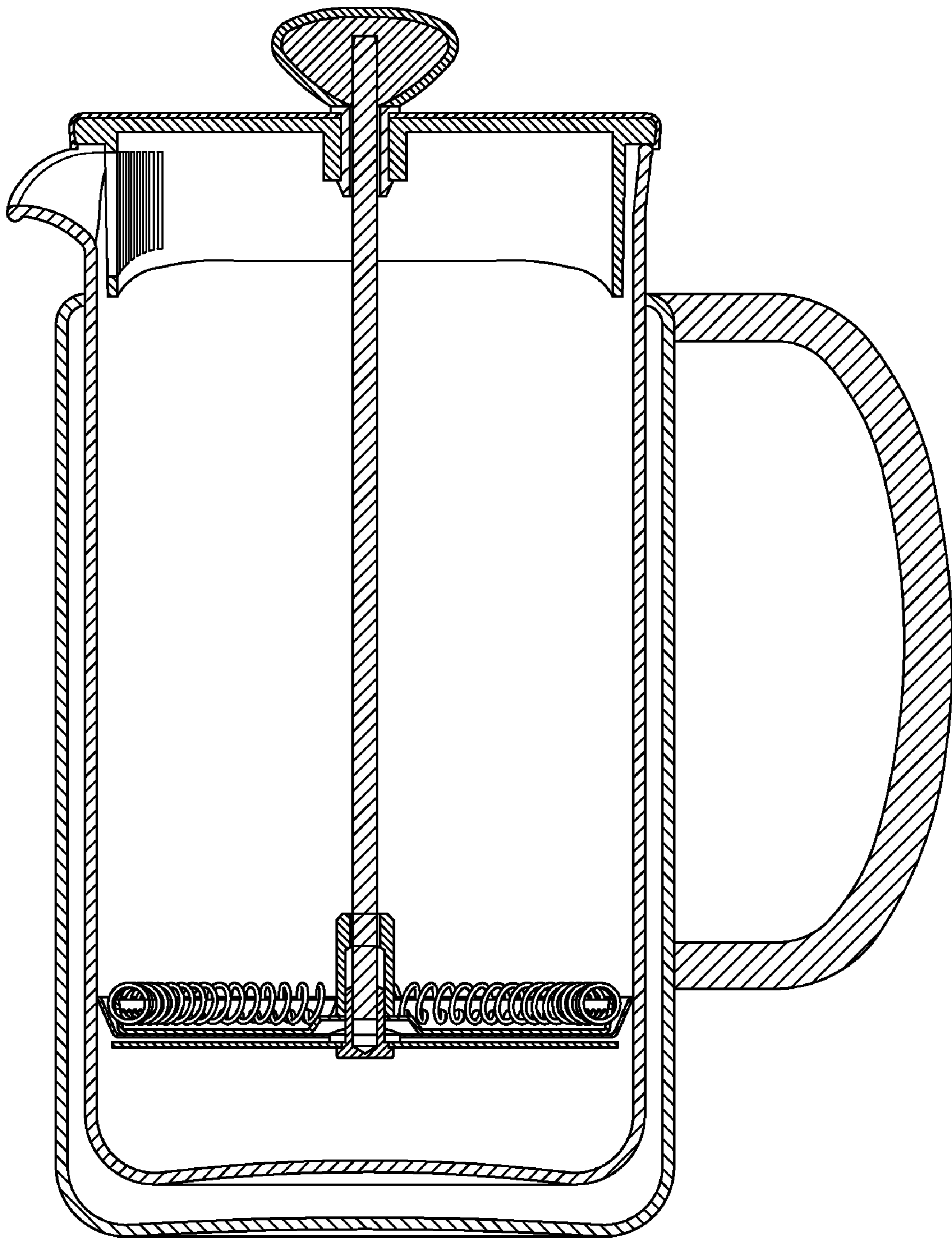


FIG. 8