



US00D557971S

(12) **United States Design Patent**  
**Webster et al.**

(10) **Patent No.:** **US D557,971 S**  
(45) **Date of Patent:** **\*\* Dec. 25, 2007**

- (54) **MULTIPLE COFFEE BREWER**
  - (75) Inventors: **Joseph P. Webster**, St. Charles County, MO (US); **Jody G. Jacobsen**, St. Charles County, MO (US)
  - (73) Assignee: **Newco Research Corporation**, St. Charles, MO (US)
  - (\*\*) Term: **14 Years**
  - (21) Appl. No.: **29/232,989**
  - (22) Filed: **Jun. 24, 2005**
  - (51) **LOC (8) Cl.** ..... **07-01**
  - (52) **U.S. Cl.** ..... **D7/309; D7/311**
  - (58) **Field of Classification Search** ..... D7/309-311, D7/374, 306-308; 99/275, 323.3, 281, 284, 99/280, 290, 292; 222/129.1, 129.2, 129.3, 222/129.4
- See application file for complete search history.

4,550,652 A *	11/1985	Da Silva	.....	99/279
4,603,620 A	8/1986	Daugherty		
D292,961 S *	12/1987	Daugherty	.....	D7/309
4,715,269 A *	12/1987	Stoner	.....	99/279
D298,723 S *	11/1988	Lambert	.....	D7/309
D298,996 S *	12/1988	Van Camp et al.	.....	D7/309
4,829,888 A	5/1989	Webster et al.		
4,892,031 A	1/1990	Webster et al.		
D309,546 S *	7/1990	Van Camp	.....	D7/308
5,063,836 A	11/1991	Patel		
D322,535 S *	12/1991	Van Camp	.....	D7/308
5,285,718 A	2/1994	Webster et al.		
D348,373 S	7/1994	Webster		
D430,770 S *	9/2000	Kirkwood	.....	D7/307
D432,861 S *	10/2000	Lord et al.	.....	D7/397
D446,999 S *	8/2001	Lord et al.	.....	D7/397
D454,023 S *	3/2002	Wang	.....	D7/309
D491,012 S *	6/2004	Rogers	.....	D7/364

\* cited by examiner

*Primary Examiner*—M. N. Pandozzi  
(74) *Attorney, Agent, or Firm*—Paul M. Denk

(56) **References Cited**

**U.S. PATENT DOCUMENTS**

D103,508 S *	3/1937	Renner	.....	D7/309
D194,091 S *	11/1962	Ruhnke	.....	D7/309
3,122,987 A *	3/1964	Ruhnke	.....	99/290
D200,843 S *	4/1965	Haussam	.....	D7/309
3,218,955 A	11/1965	Lorang		
3,261,279 A *	7/1966	Kaplan et al.	.....	99/282
3,319,561 A	5/1967	Bloomfield et al.		
D208,391 S *	8/1967	Haussam	.....	D7/309
3,336,856 A *	8/1967	Martin	.....	99/288
D214,480 S *	6/1969	Martin	.....	D7/309
D225,592 S *	12/1972	Bardeau	.....	D7/309
3,771,432 A	11/1973	Karlen		
3,958,502 A	5/1976	Vitous		
4,054,085 A	10/1977	Tarr		
D258,065 S *	1/1981	Bardeau	.....	D7/309
4,464,981 A	8/1984	Stover		
4,478,139 A	10/1984	Zimmerman		
4,503,757 A *	3/1985	Daugherty	.....	99/281
4,531,046 A *	7/1985	Stover	.....	392/442

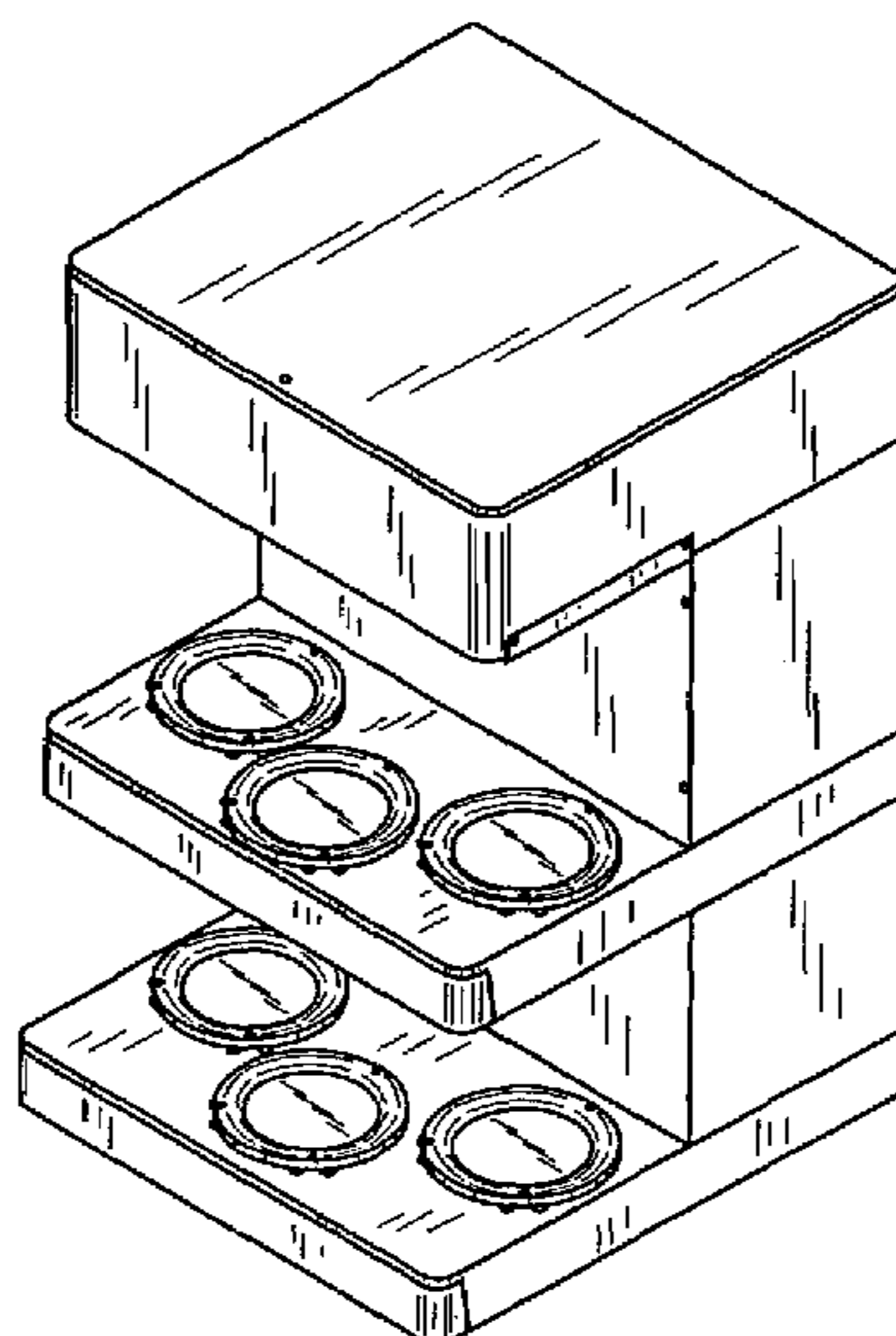
(57) **CLAIM**

The ornamental design for the multiple coffee brewer, is as shown and described.

**DESCRIPTION**

FIG. 1 is a perspective view of a multiple coffee brewer showing my new design;  
 FIG. 2 is a front view thereof;  
 FIG. 3 is a rear view thereof;  
 FIG. 4 is a right side view, the left side view being a mirror image thereof;  
 FIG. 5 is a top plan view;  
 FIG. 6 is a bottom view; and,  
 FIG. 7 is a perspective view of a multiple coffee brewer showing a second embodiment of our new design.

**1 Claim, 2 Drawing Sheets**



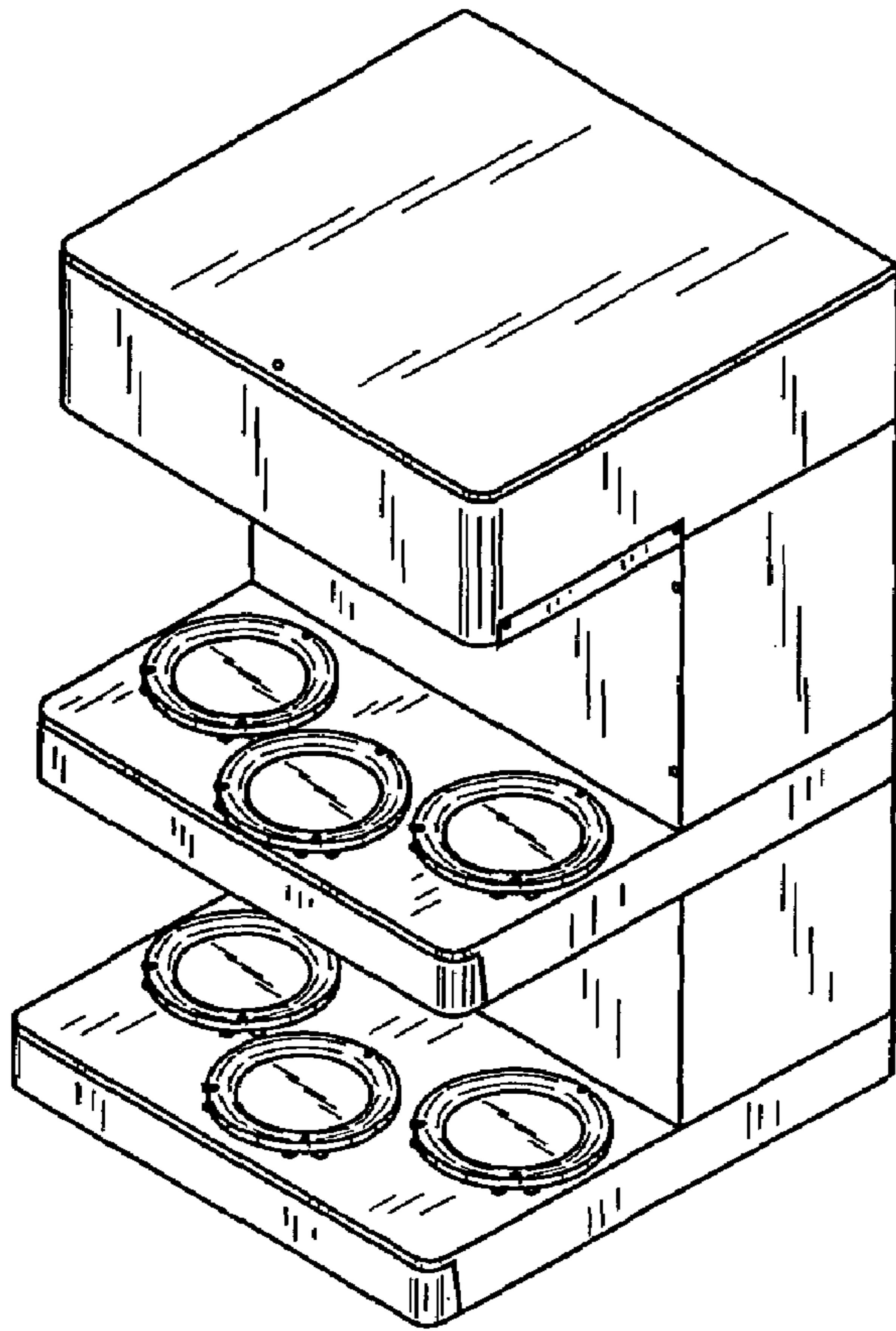


FIG. 1

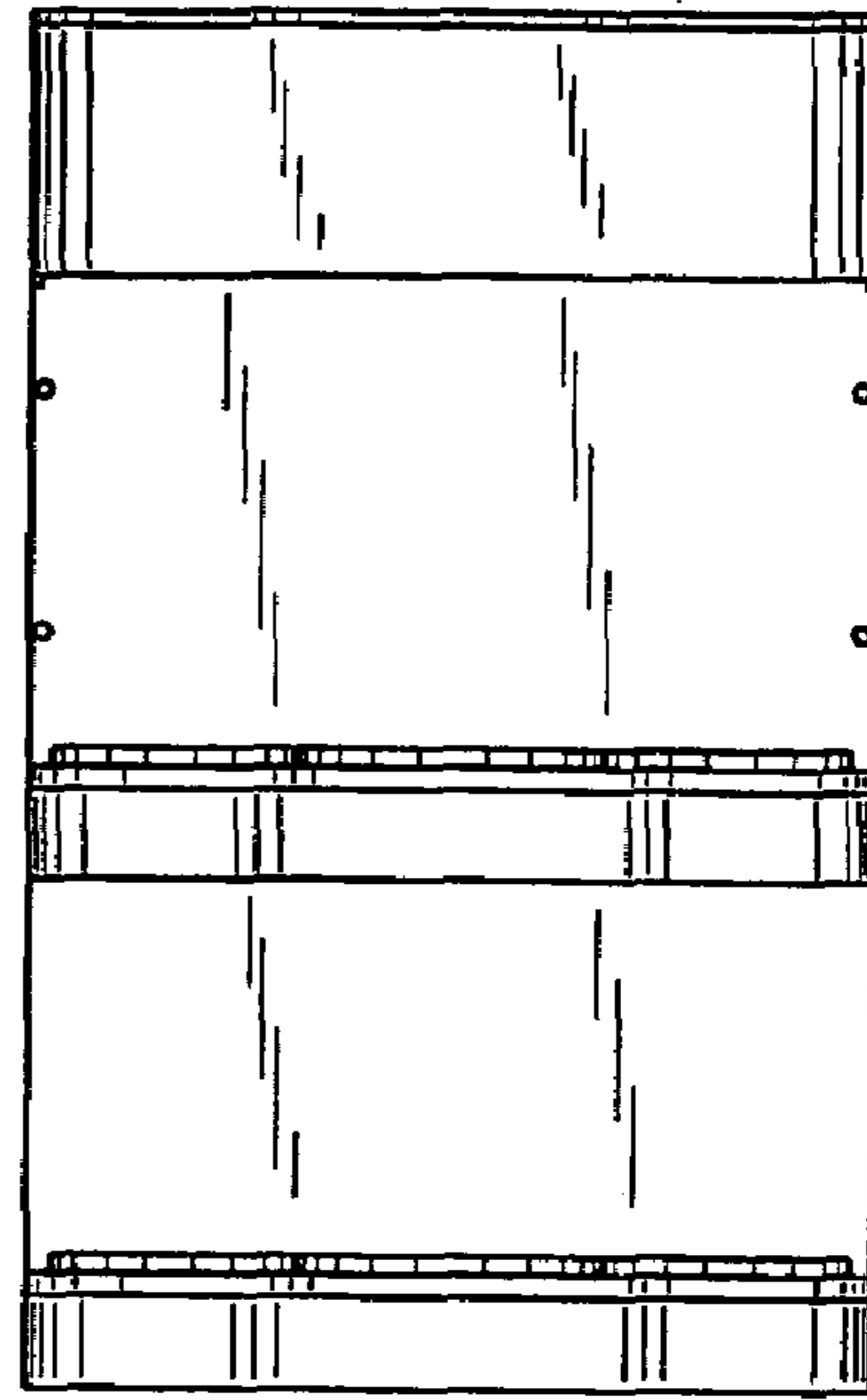


FIG. 2

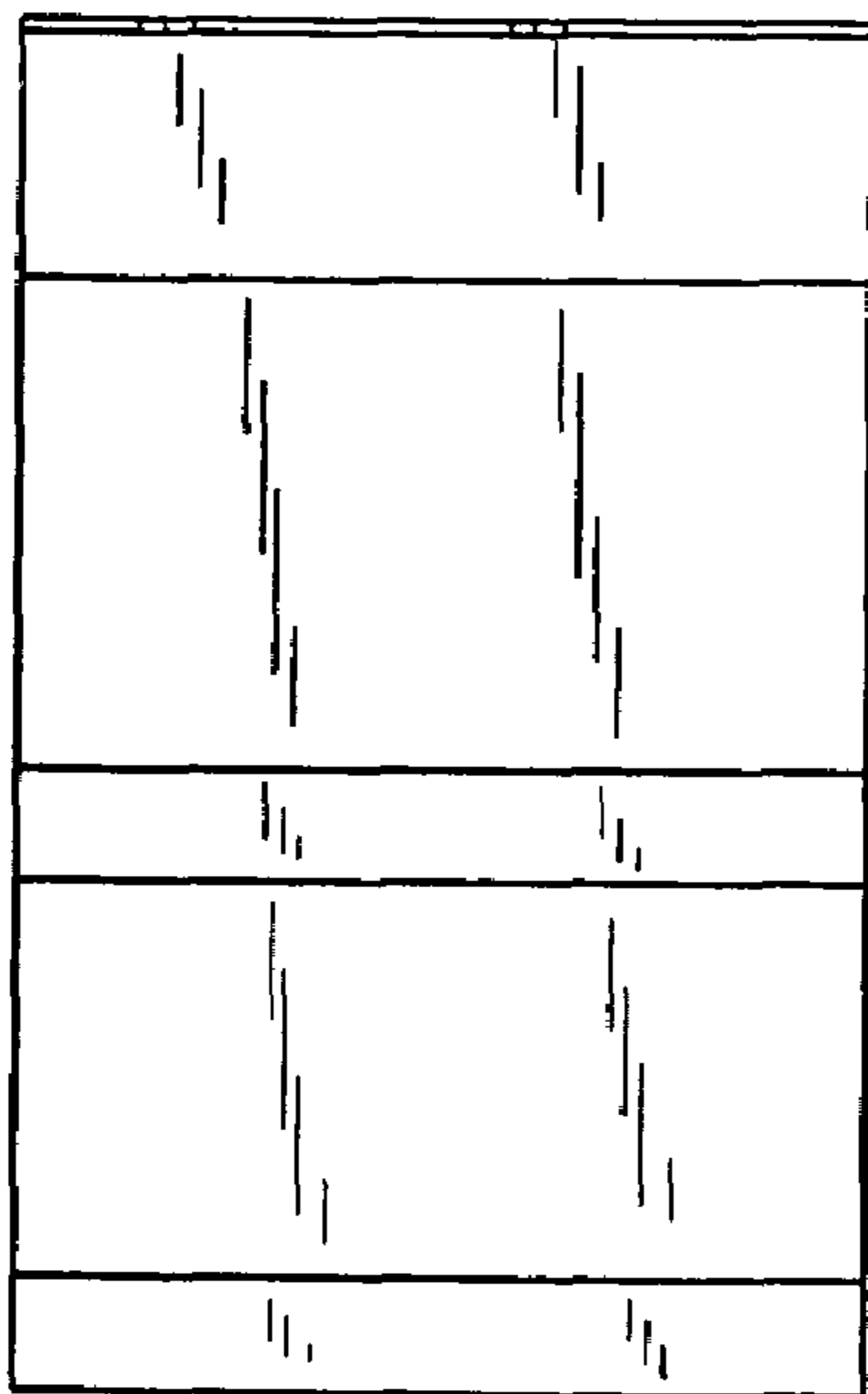


FIG. 3

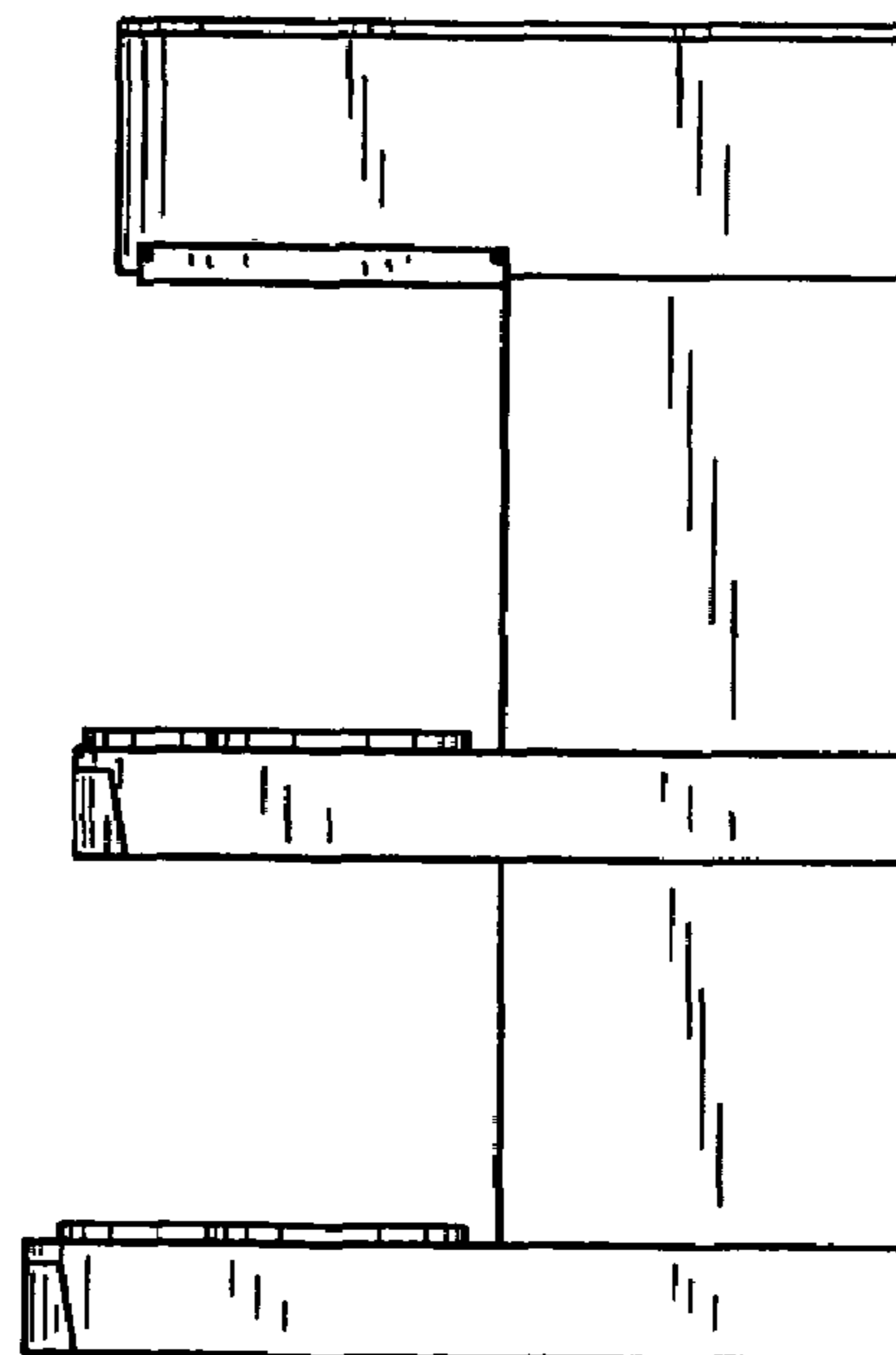


FIG. 4

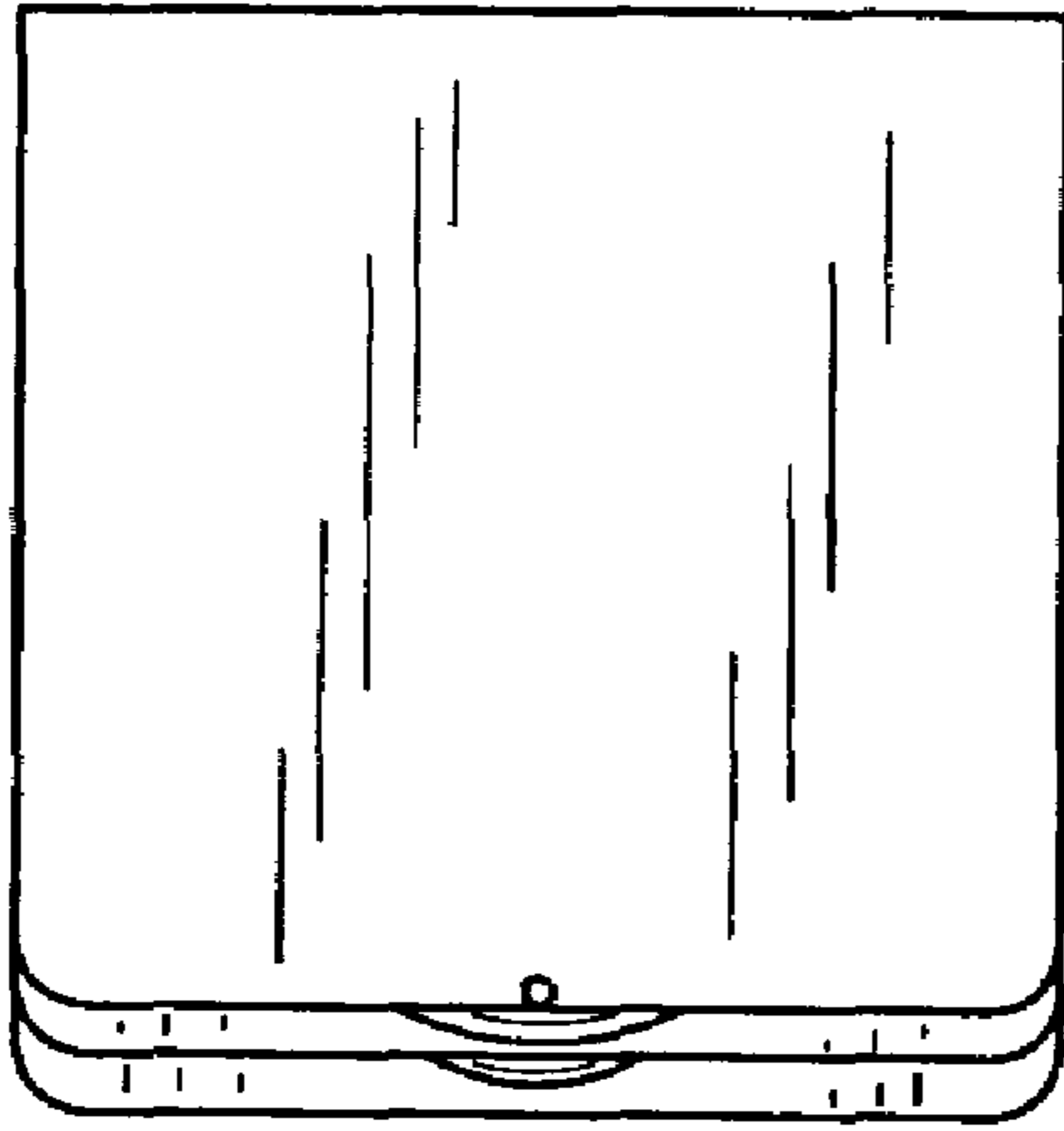


FIG. 5

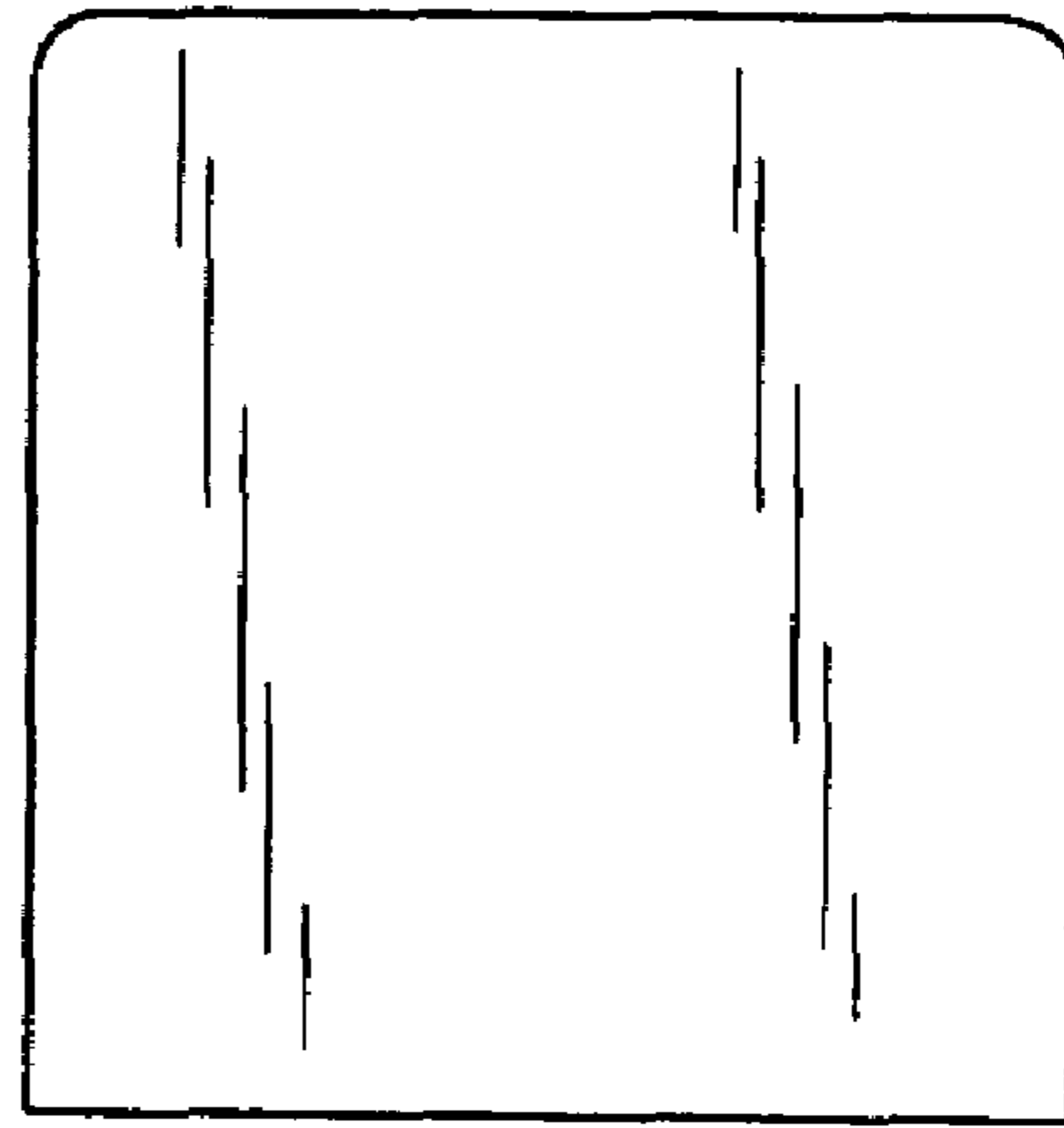


FIG. 6

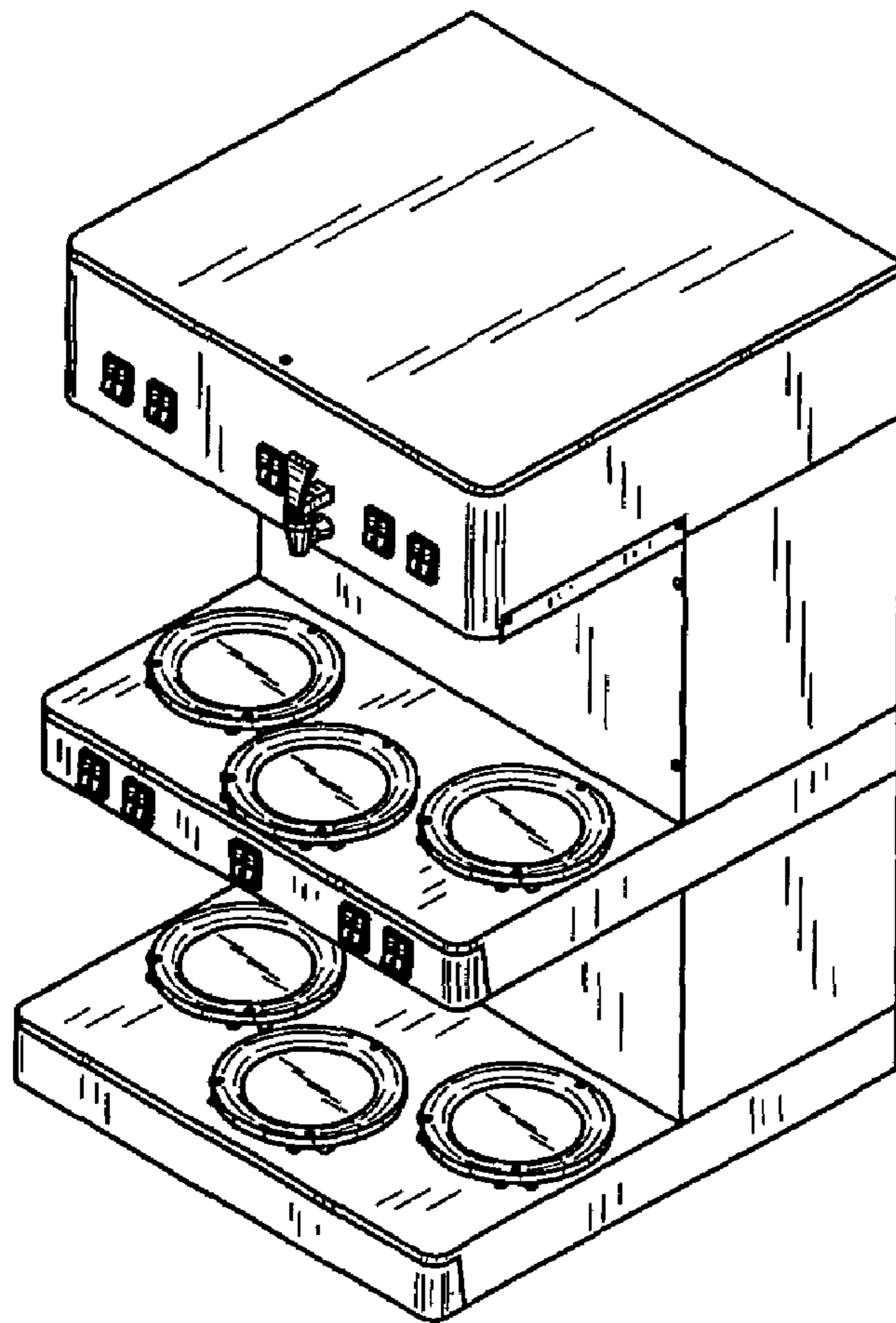


FIG. 7