



US00D557966S

(12) **United States Design Patent**
Gao

(10) **Patent No.:** **US D557,966 S**

(45) **Date of Patent:** **** Dec. 25, 2007**

(54) **INFLATABLE MATTRESS**

(75) **Inventor:** **Sam Gao, Taipei (TW)**

(73) **Assignee:** **Krystal Star International Corporation, Taipei (TW)**

(**) **Term:** **14 Years**

(21) **Appl. No.:** **29/271,038**

(22) **Filed:** **Jan. 8, 2007**

(51) **LOC (8) Cl.** **06-09**

(52) **U.S. Cl.** **D6/604**

(58) **Field of Classification Search** D6/595,
D6/596, 601, 604-606; 5/600, 630, 632,
5/636, 644, 648, 652, 655.3, 655.9, 665,
5/675, 690-692, 696, 706, 708, 709, 712,
5/718, 731, 733; D24/183, 206; D21/803,
D21/809; 441/127

See application file for complete search history.

(56) **References Cited**

U.S. PATENT DOCUMENTS

- 622,239 A * 4/1899 Lane 5/712
- 712,720 A * 11/1902 Richardson 5/712
- 1,208,006 A * 12/1916 Rembiszewski et al. 441/127
- 1,210,019 A * 12/1916 Truman et al. 5/731
- 1,382,531 A * 6/1921 Newborn 5/706
- 1,972,673 A * 9/1934 Baird 5/692

- D108,622 S * 3/1938 Johnson D6/604
- D209,118 S * 10/1967 Grube D24/206
- D306,473 S * 3/1990 Scheurer D21/809
- 5,855,033 A * 1/1999 Frissen et al. 5/706
- D507,446 S * 7/2005 Yeh D6/604
- 2006/0075566 A1 * 4/2006 McManamy et al. 5/690

* cited by examiner

Primary Examiner—Robert M. Spear

Assistant Examiner—Mary Ann Calabrese

(74) *Attorney, Agent, or Firm*—Troxell Law Office, PLLC

(57) **CLAIM**

The ornamental design for a inflatable mattress, as shown and described.

DESCRIPTION

FIG. 1 is a perspective view of the inflatable mattress showing the new design;

FIG. 2 is a front view of the new design;

FIG. 3 is a rear view of the new design;

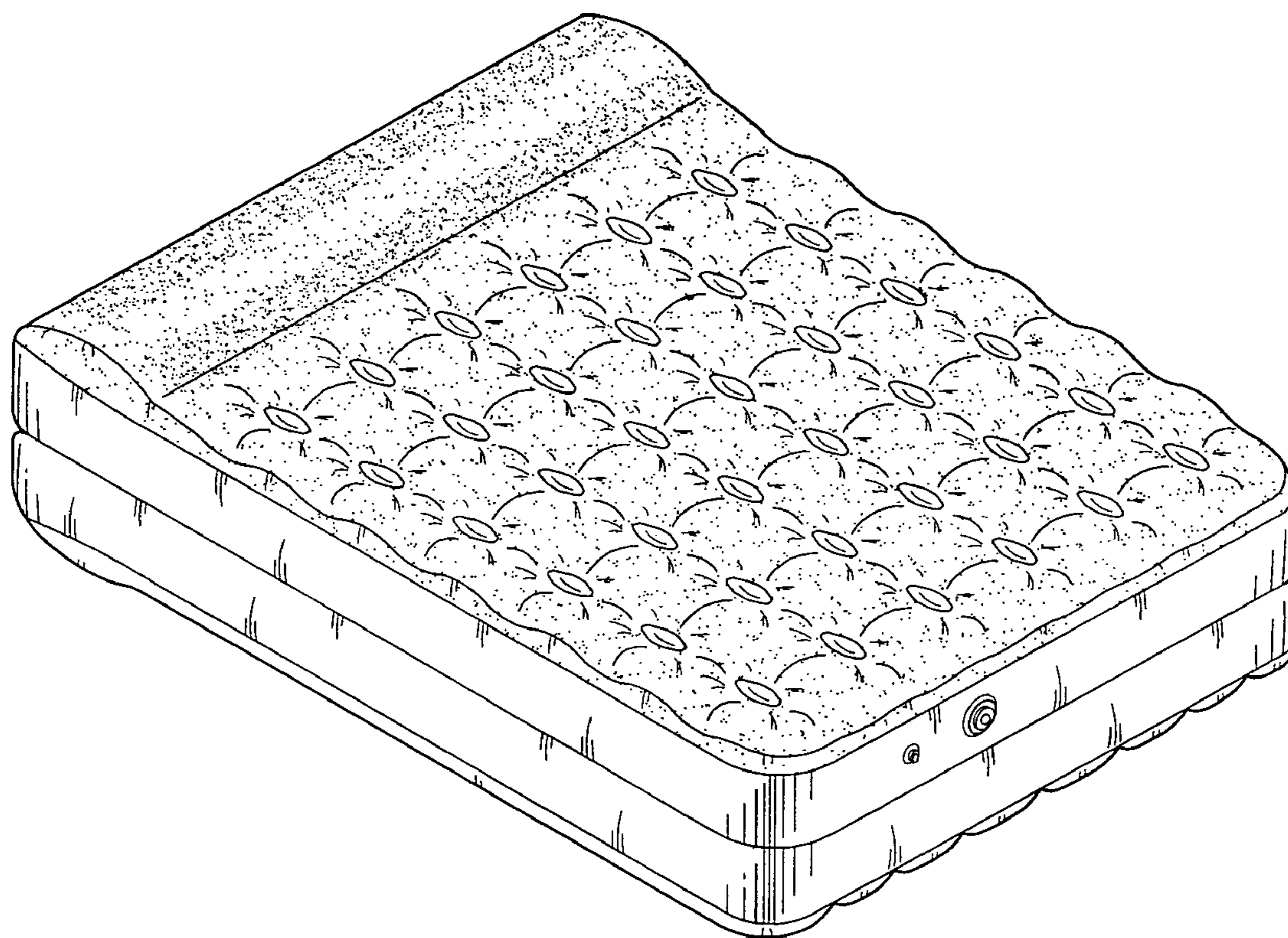
FIG. 4 is a left view of the new design;

FIG. 5 is a right view of the new design;

FIG. 6 is a top view of the new design; and,

FIG. 7 is a bottom view of the new design.

1 Claim, 5 Drawing Sheets



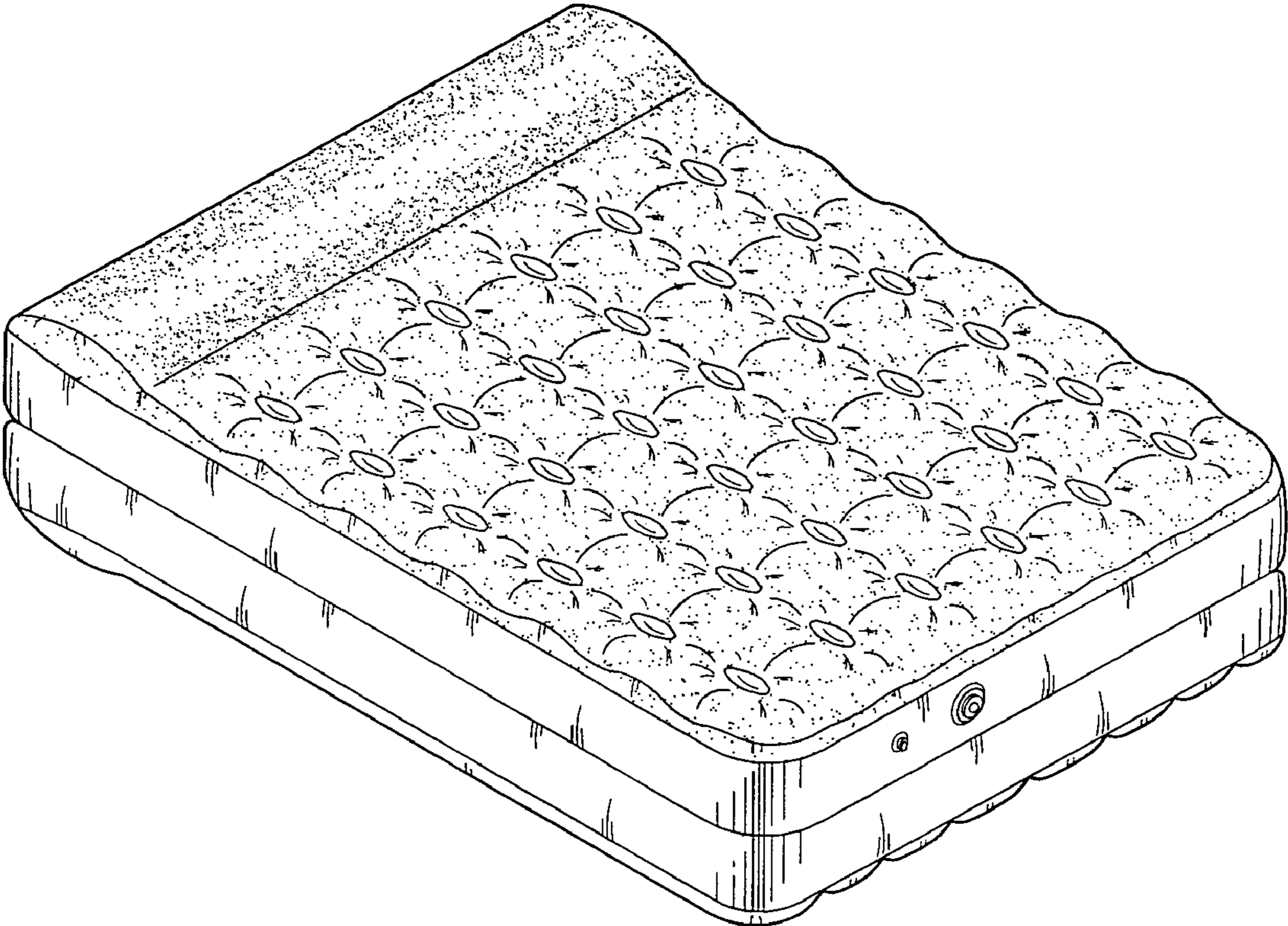


Fig. 1

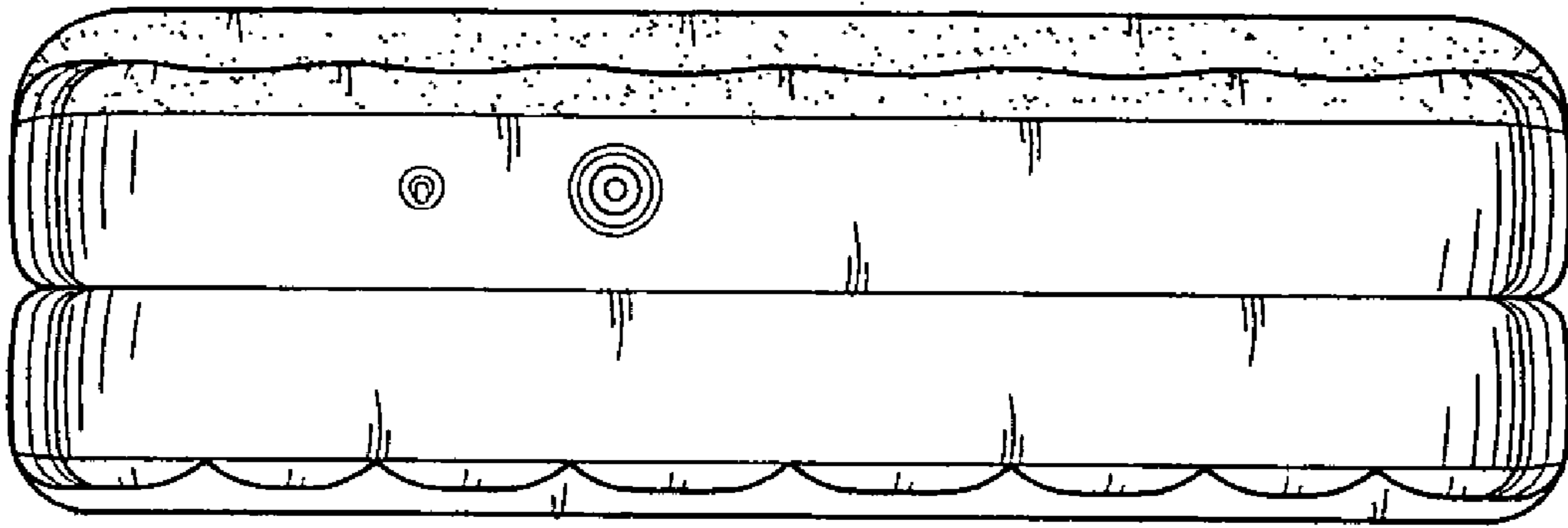


Fig. 2

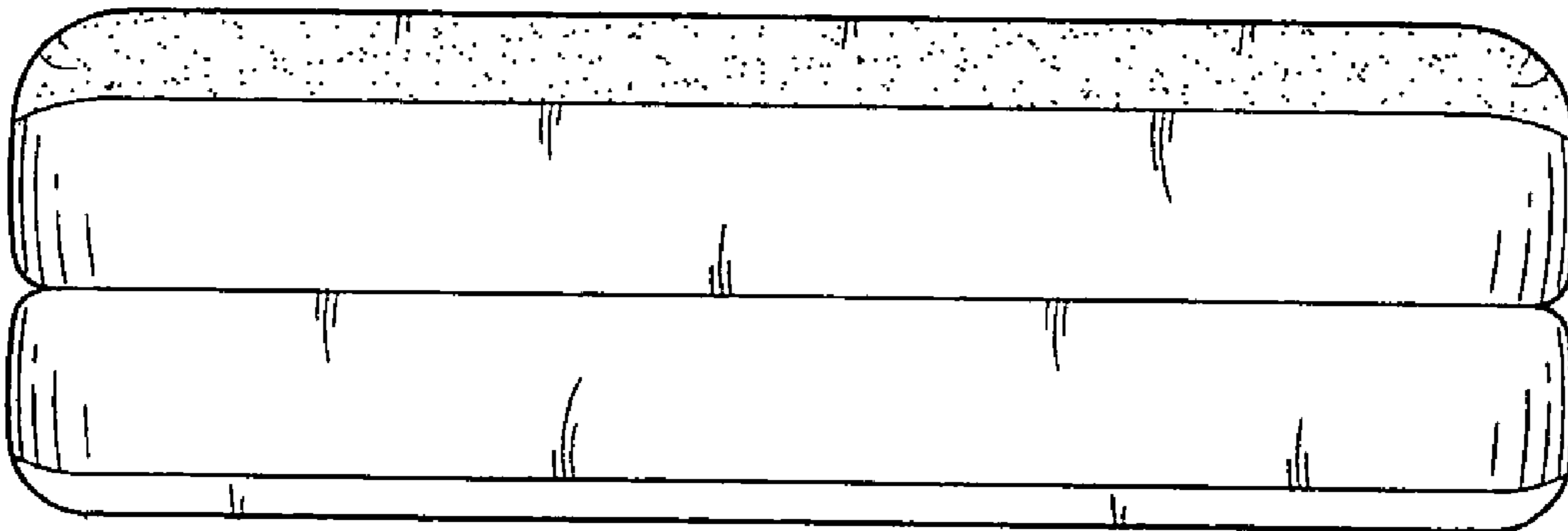


Fig. 3

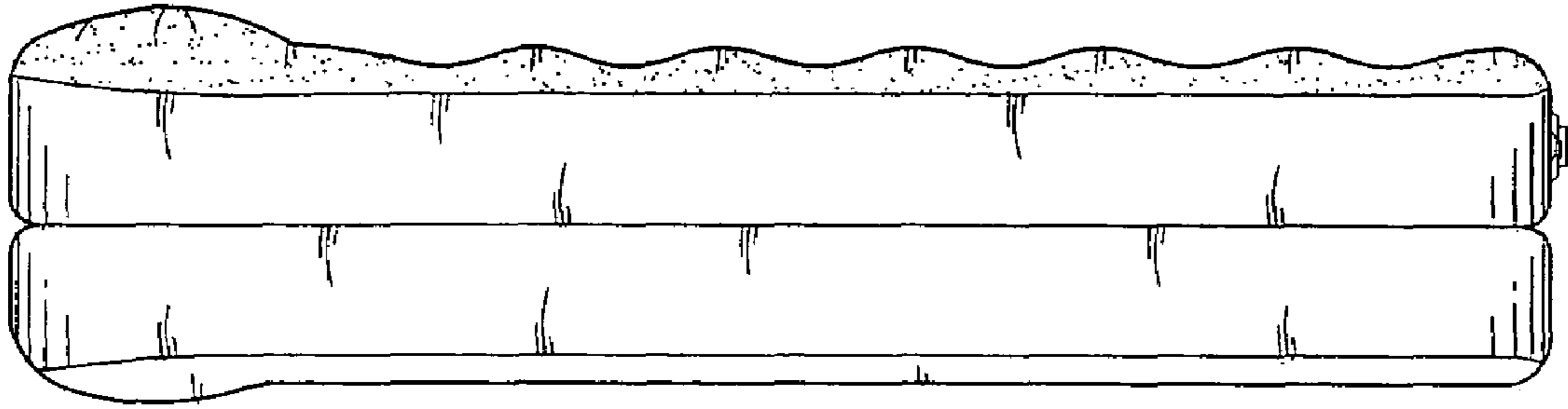


Fig. 4



Fig. 5

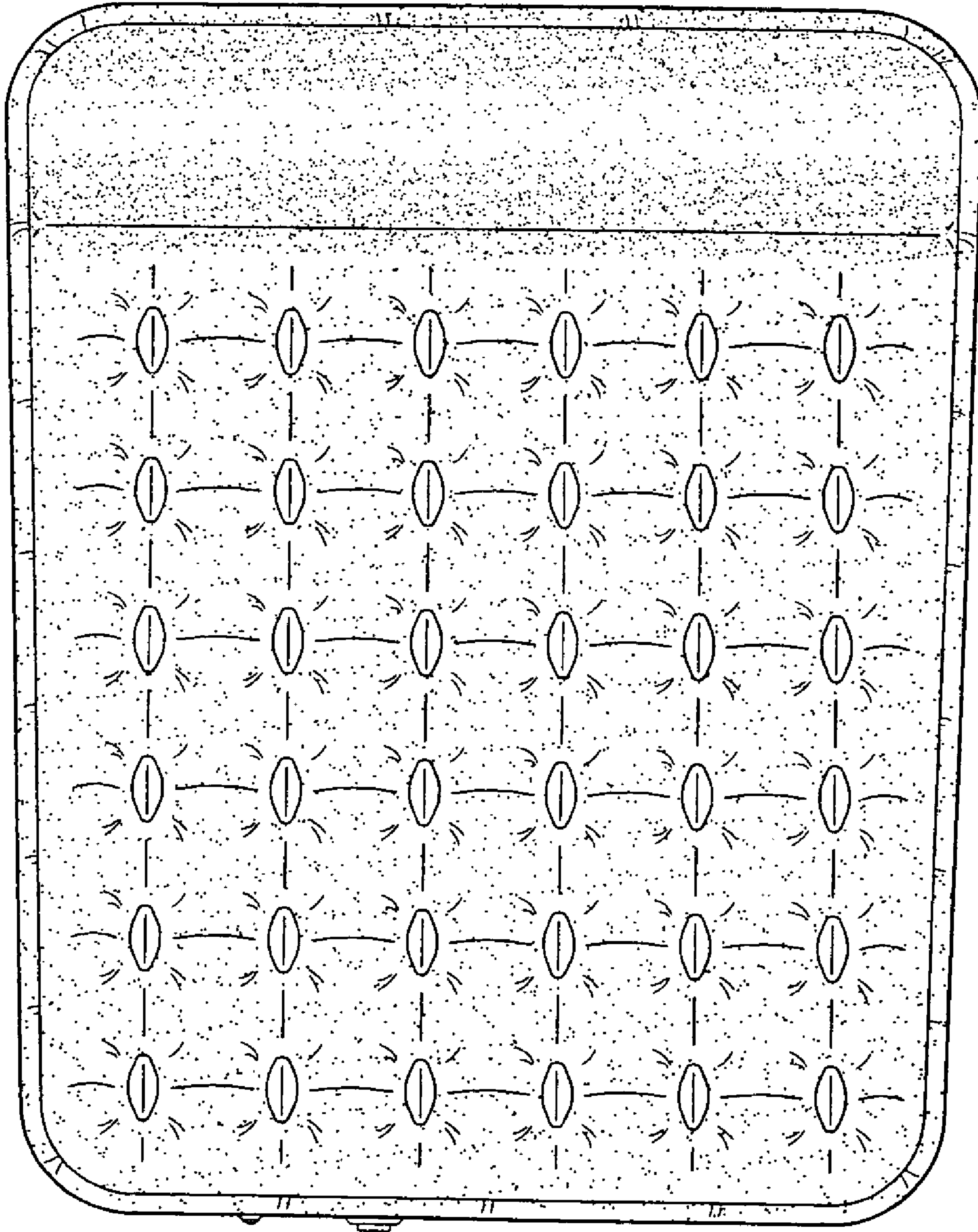


Fig. 6

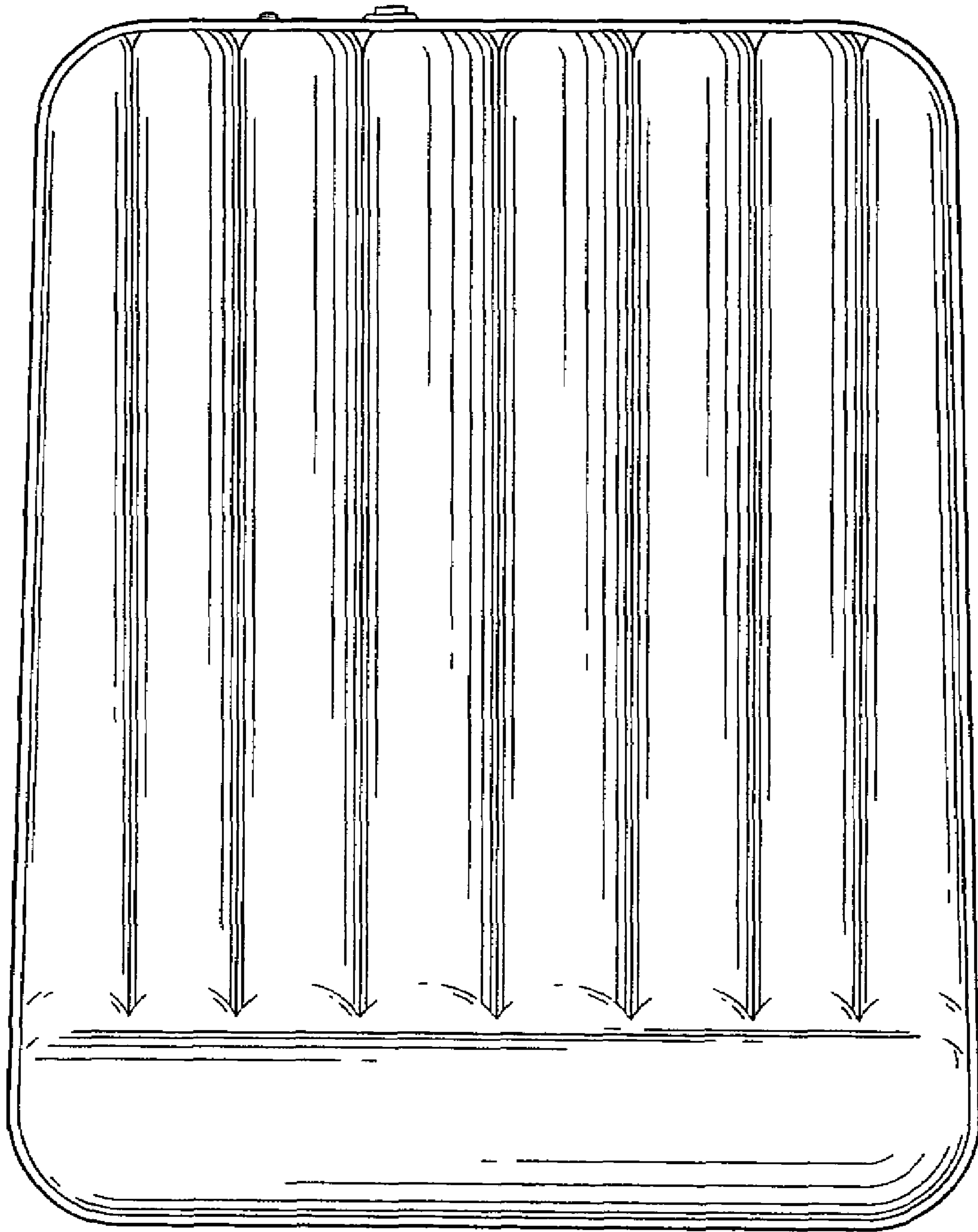


Fig. 7