



US00D557964S

(12) **United States Design Patent**
Hoernig

(10) **Patent No.:** **US D557,964 S**

(45) **Date of Patent:** **** Dec. 25, 2007**

(54) **SHELF WITH TOWEL BAR**

(75) Inventor: **Victor Hoernig**, Lowell, IN (US)

(73) Assignee: **Brasstech, Inc.**, Santa Ana, CA (US)

(**) Term: **14 Years**

(21) Appl. No.: **29/248,985**

(22) Filed: **Sep. 14, 2006**

(51) **LOC (8) Cl.** **06-04**

(52) **U.S. Cl.** **D6/574; D6/549**

(58) **Field of Classification Search** D6/524,
D6/525, 540, 553, 567, 574, 546, 549; 180/28,
180/29; 211/13.1, 42, 71.01, 81.01, 88.03,
211/88.01, 90.01, 90.03, 126.1, 133.5, 133.6,
211/134, 182

See application file for complete search history.

(56) **References Cited**

U.S. PATENT DOCUMENTS

D400,038 S *	10/1998	Herman et al.	D6/574
D492,866 S *	7/2004	Graves et al.	D6/574
D493,313 S *	7/2004	Hoernig	D6/574
D493,316 S *	7/2004	Hoernig	D6/574
D495,180 S *	8/2004	Painter et al.	D6/527
D501,621 S *	2/2005	Ayers et al.	D6/574

D502,035 S *	2/2005	Lara	D6/574
D514,363 S *	2/2006	Hoernig	D6/574
D514,858 S *	2/2006	Hoernig	D6/574

* cited by examiner

Primary Examiner—Brian N Vinson

(74) *Attorney, Agent, or Firm*—Edgar A. Zarins; Lloyd D. Doigan

(57) **CLAIM**

The ornamental design for a shelf with towel bar, as shown and described.

DESCRIPTION

FIG. 1 is a front perspective view of a shelf with towel bar showing my design;

FIG. 2 is a top plan view thereof;

FIG. 3 is a bottom plan view thereof;

FIG. 4 is a front elevational view thereof;

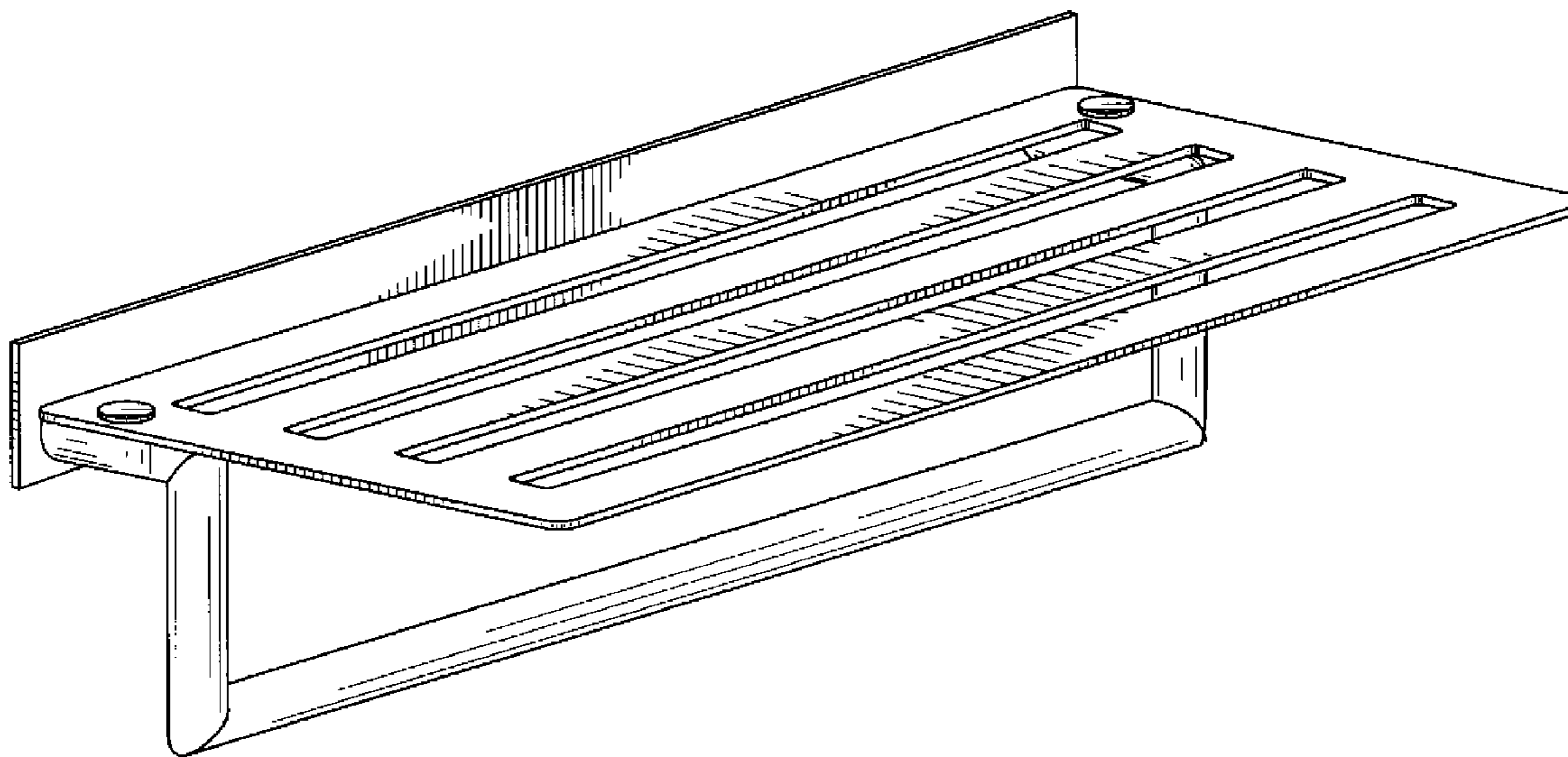
FIG. 5 is a rear elevational view thereof;

FIG. 6 is a left side elevational view thereof; and,

FIG. 7 is a right side elevational view thereof.

The broken lines in the Figures are for illustrative purposes only and form no part of the claimed design.

1 Claim, 5 Drawing Sheets



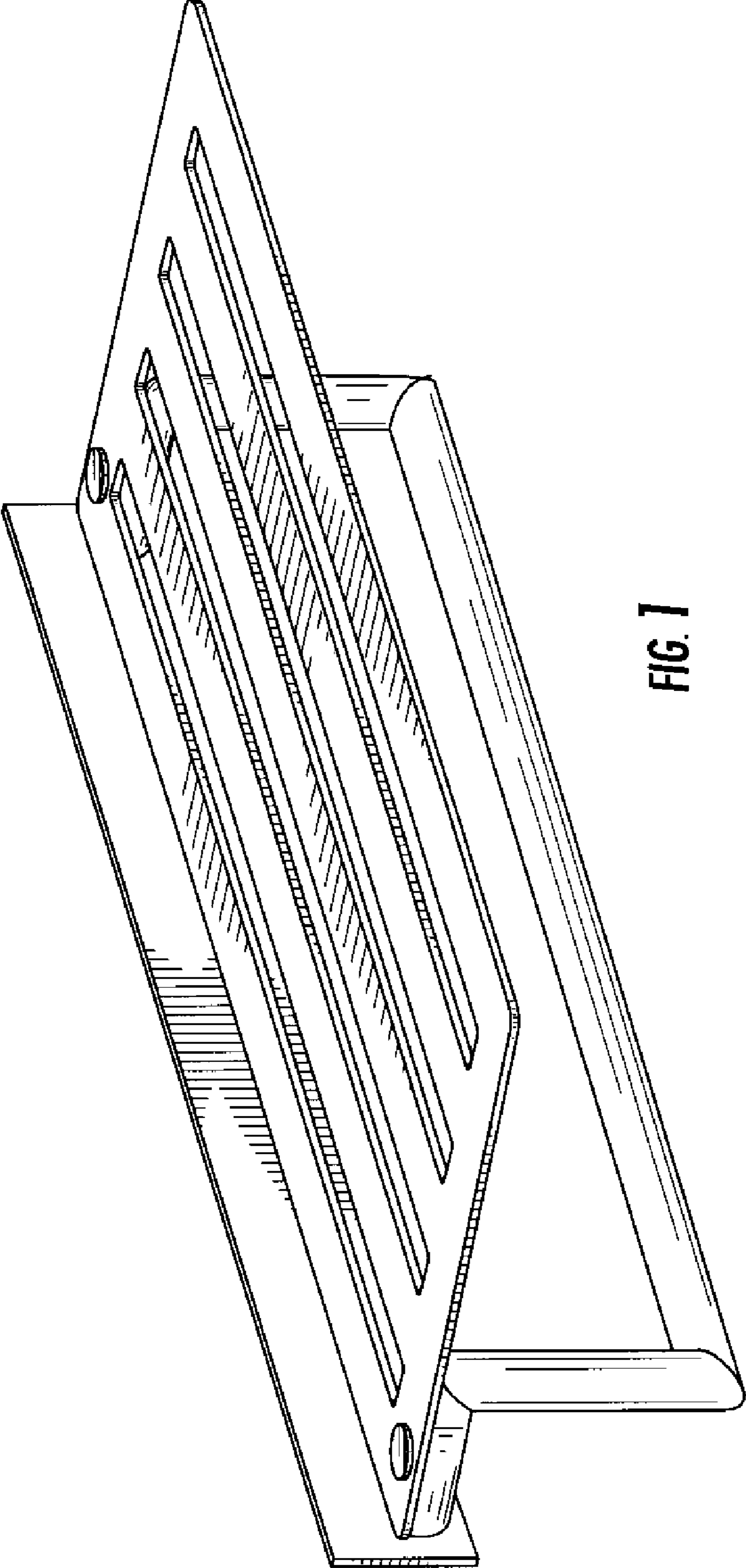


FIG. 1

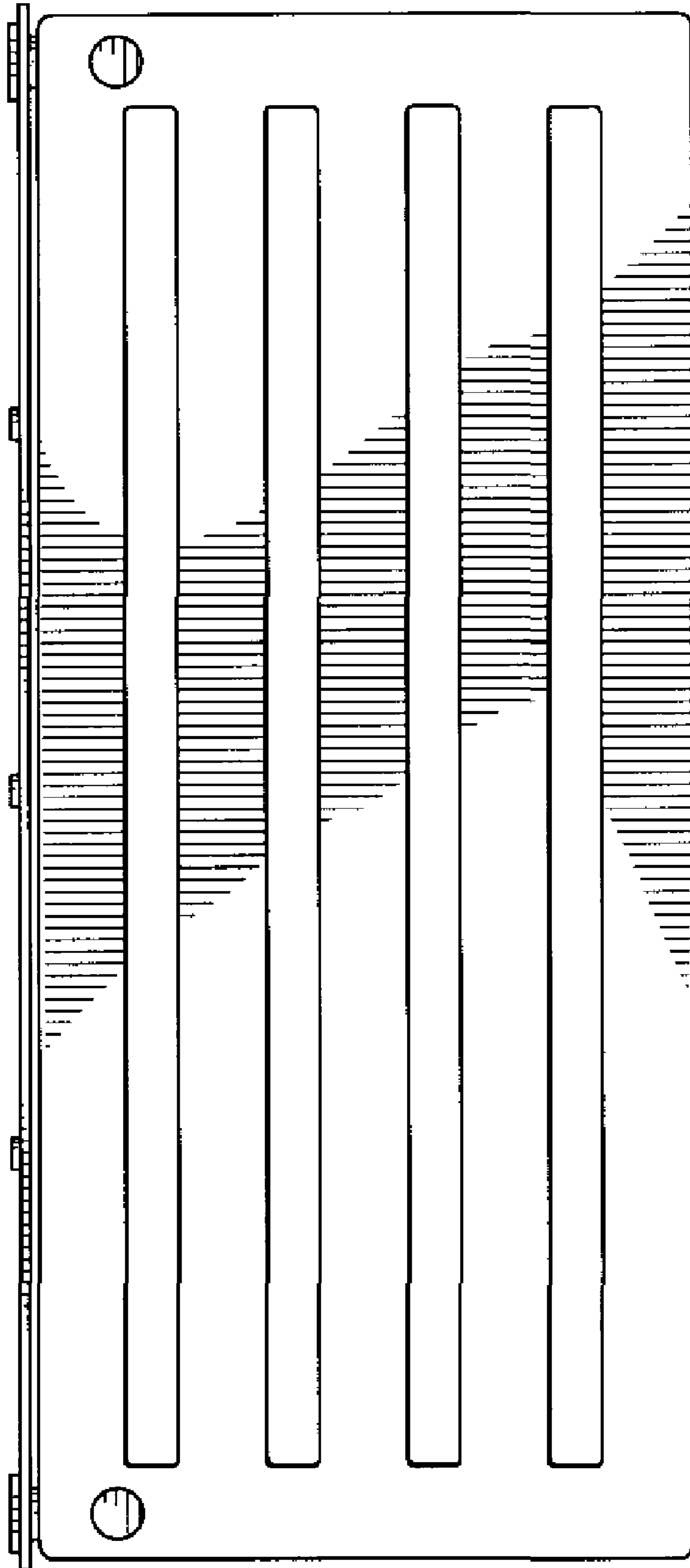


FIG. 2

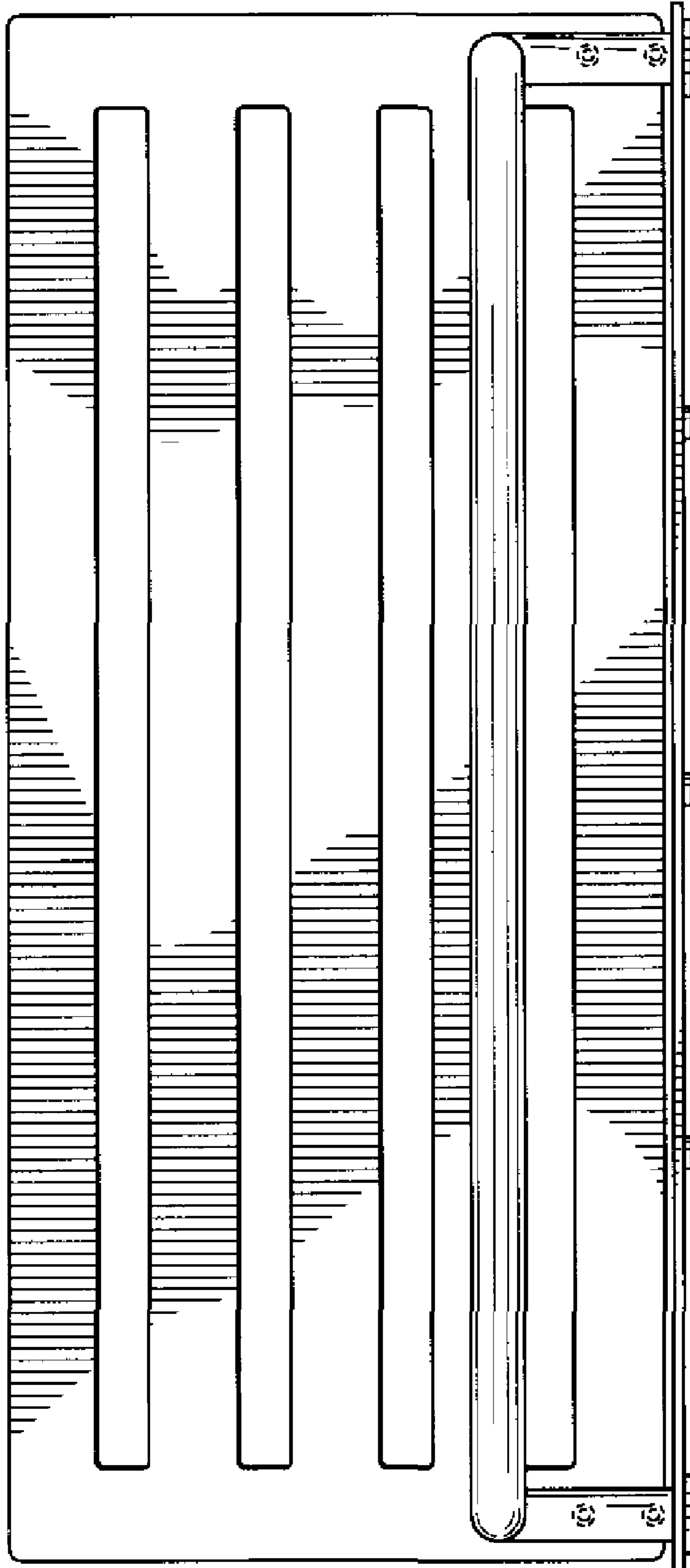


FIG. 3

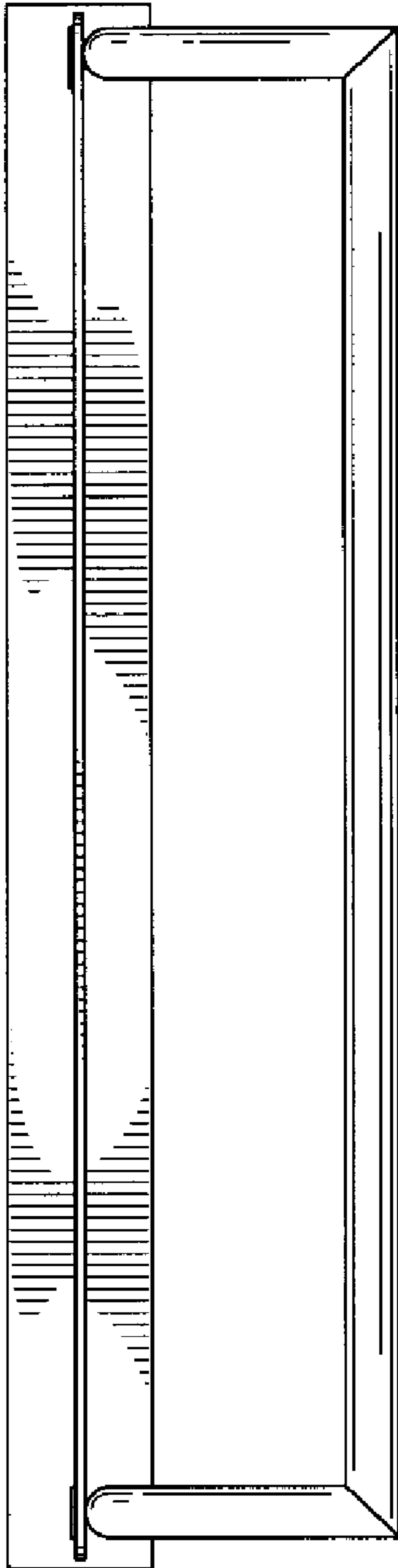


FIG. 4

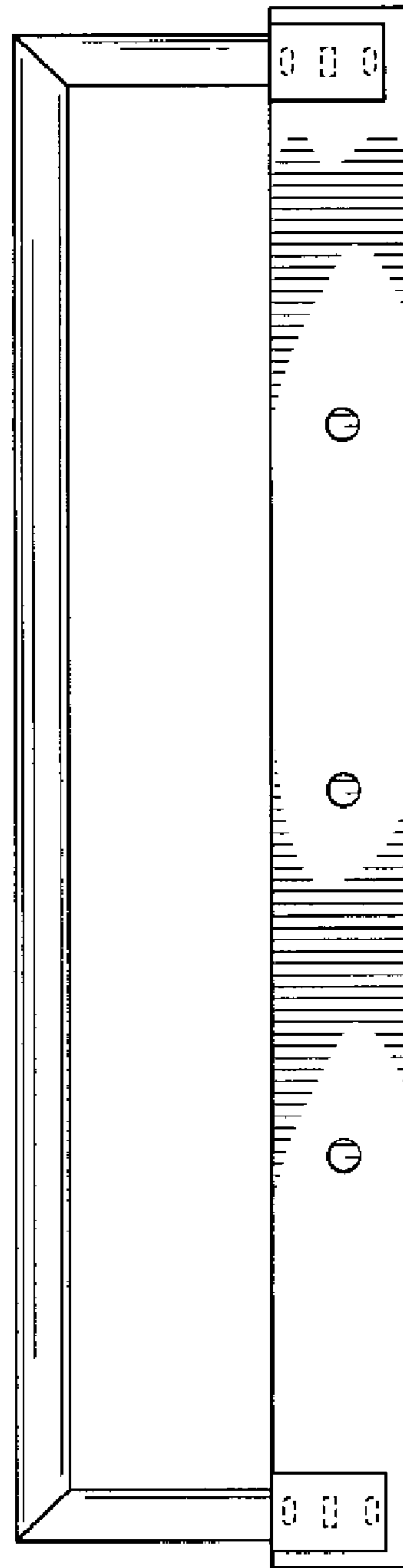


FIG. 5

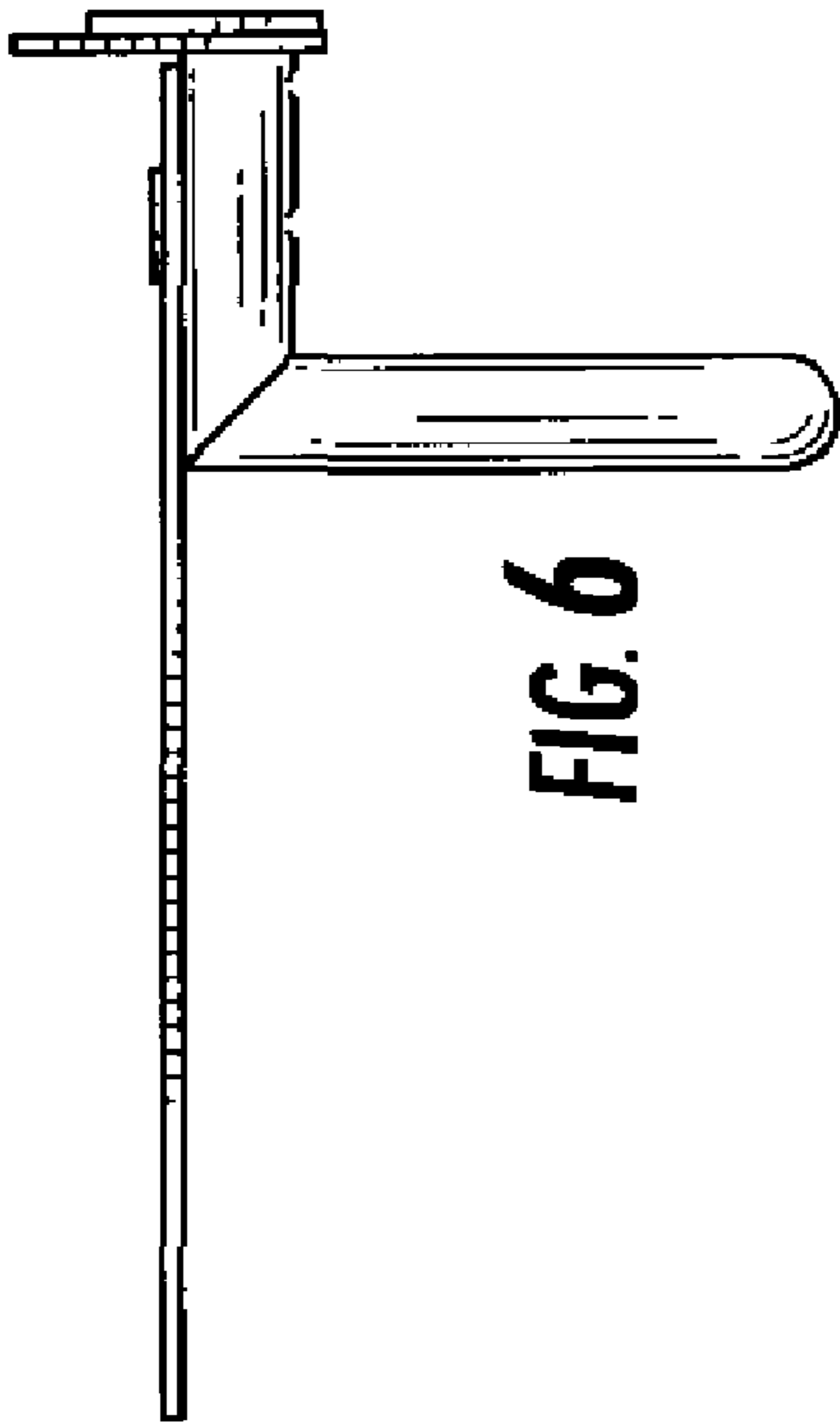


FIG. 6

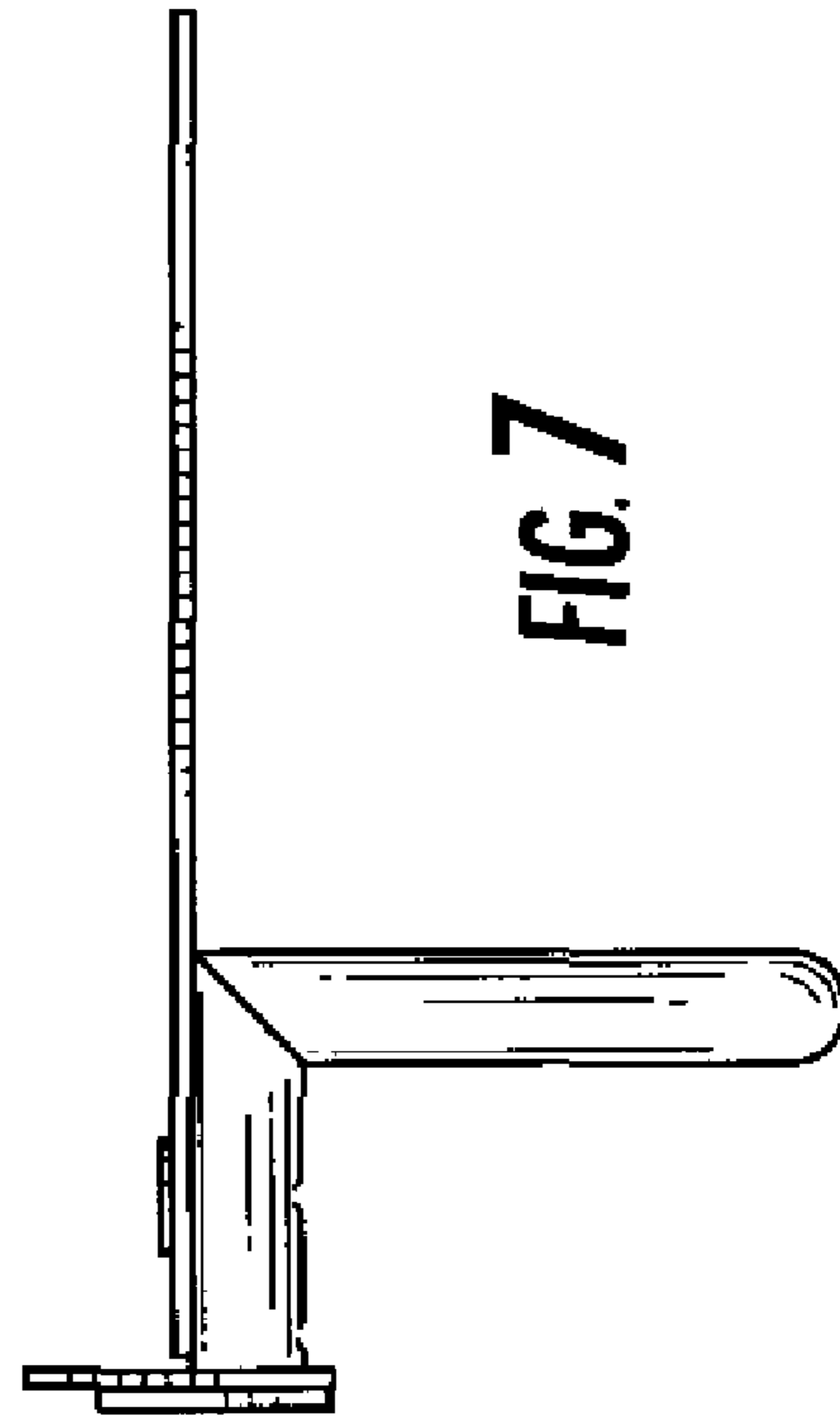


FIG. 7