



US00D557962S

(12) **United States Design Patent**
Duggan

(10) **Patent No.:** **US D557,962 S**

(45) **Date of Patent:** **** Dec. 25, 2007**

(54) **BAMBOO TOWEL BAR**

(76) **Inventor:** **Michael Duggan**, 571 Lombardy La.,
Laguna Beach, CA (US) 92651

(**) **Term:** **14 Years**

(21) **Appl. No.:** **29/268,902**

(22) **Filed:** **Nov. 15, 2006**

(51) **LOC (8) Cl.** **06-04**

(52) **U.S. Cl.** **D6/549**

(58) **Field of Classification Search** D6/546-550,
D6/518-519, 522-524; D8/300, 303, 315-321;
108/28-29; 211/13.1, 16, 60.1, 86.01, 87.01,
211/88.01, 88.04, 100, 105.1-105.2, 123,
211/181.1, 182; 248/175, 176.1, 251, 302;
16/110.1, 412, 415; 242/570, 590, 595-598
See application file for complete search history.

(56) **References Cited**

U.S. PATENT DOCUMENTS

- D454,742 S * 3/2002 Meck et al. D6/549
- D463,935 S * 10/2002 Zhao D6/549
- D477,952 S * 8/2003 Gilbert D6/549
- D478,448 S * 8/2003 Hoernig D6/549
- D479,931 S * 9/2003 Gilbert D6/549

- D492,530 S * 7/2004 Chen D6/549
- D493,316 S * 7/2004 Hoernig D6/524
- D493,649 S * 8/2004 Hoernig D6/549
- D540,596 S * 4/2007 Duggan D6/549

* cited by examiner

Primary Examiner—Brian N Vinson

(74) *Attorney, Agent, or Firm*—Myers Dawes Andras &
Sherman LLP; Vic Lin

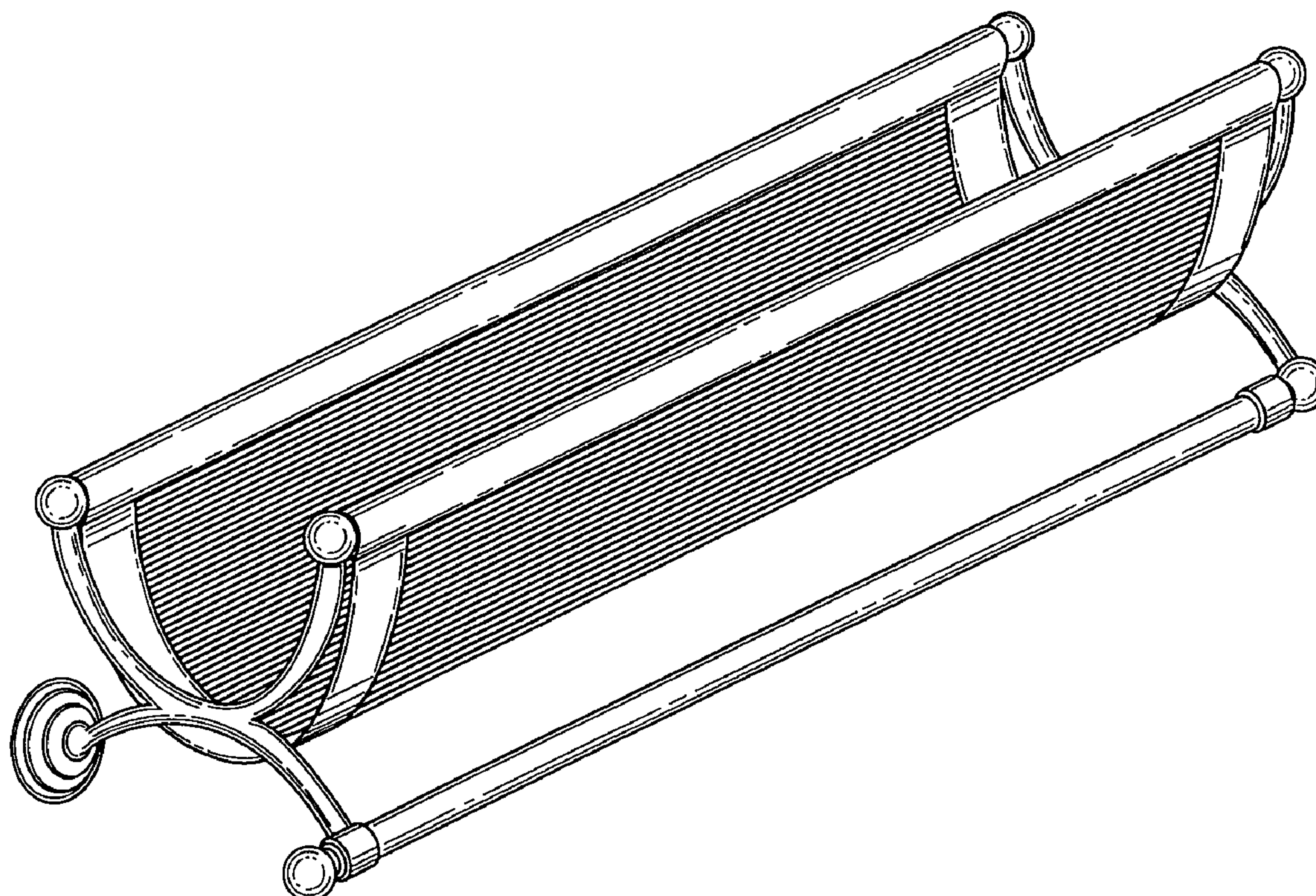
(57) **CLAIM**

I claim the ornamental design for the bamboo towel bar, as shown and described.

DESCRIPTION

- FIG. 1 is a perspective view of a bamboo towel bar;
- FIG. 2 is a front elevation view of the bamboo towel bar;
- FIG. 3 is a rear elevation view of the bamboo towel bar;
- FIG. 4 is a right side elevation view of the bamboo towel bar;
- FIG. 5 is a left side elevation view of the bamboo towel bar;
- FIG. 6 is a top plan view of the bamboo towel bar; and,
- FIG. 7 is a bottom plan view of the bamboo towel bar.

1 Claim, 4 Drawing Sheets



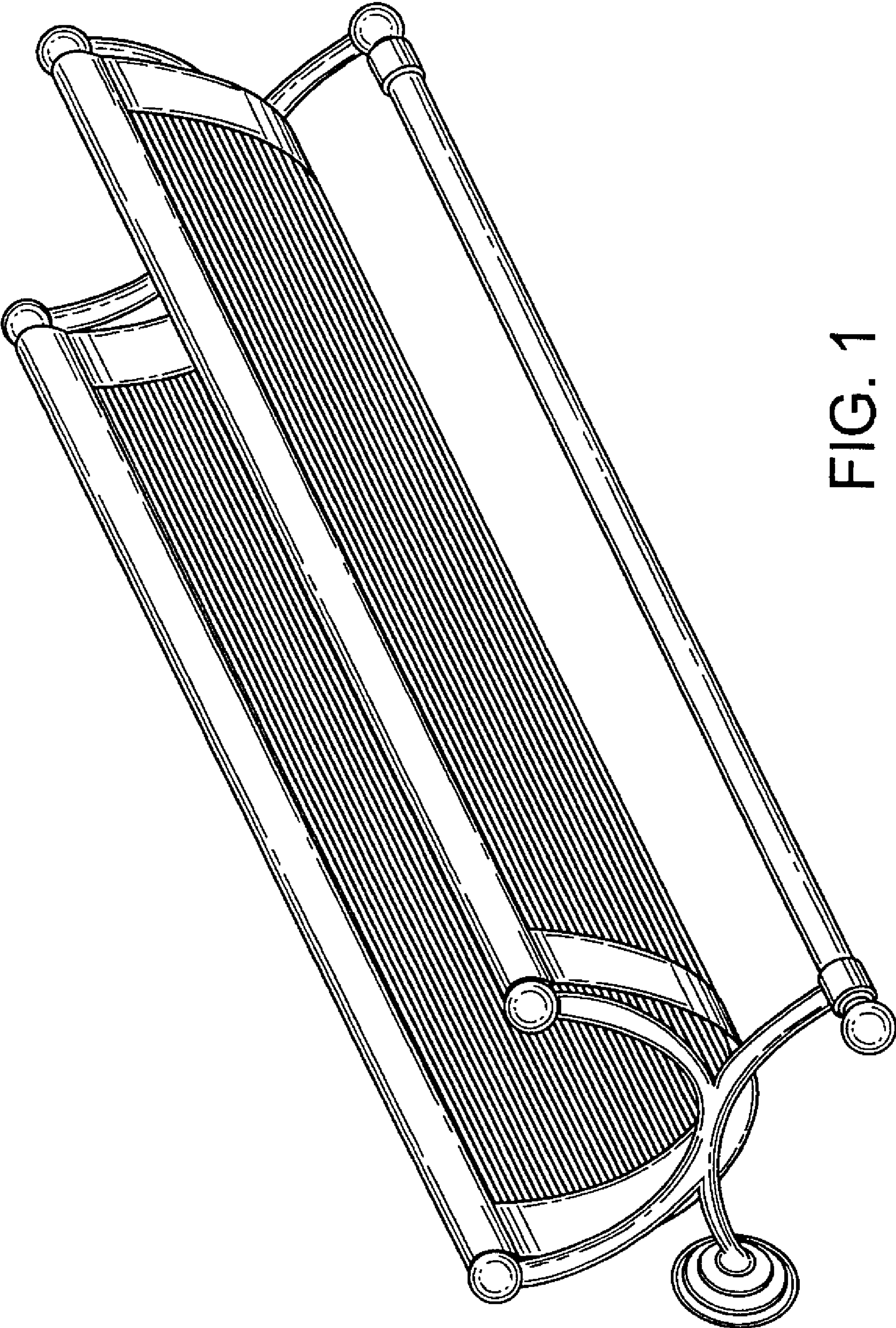


FIG. 1

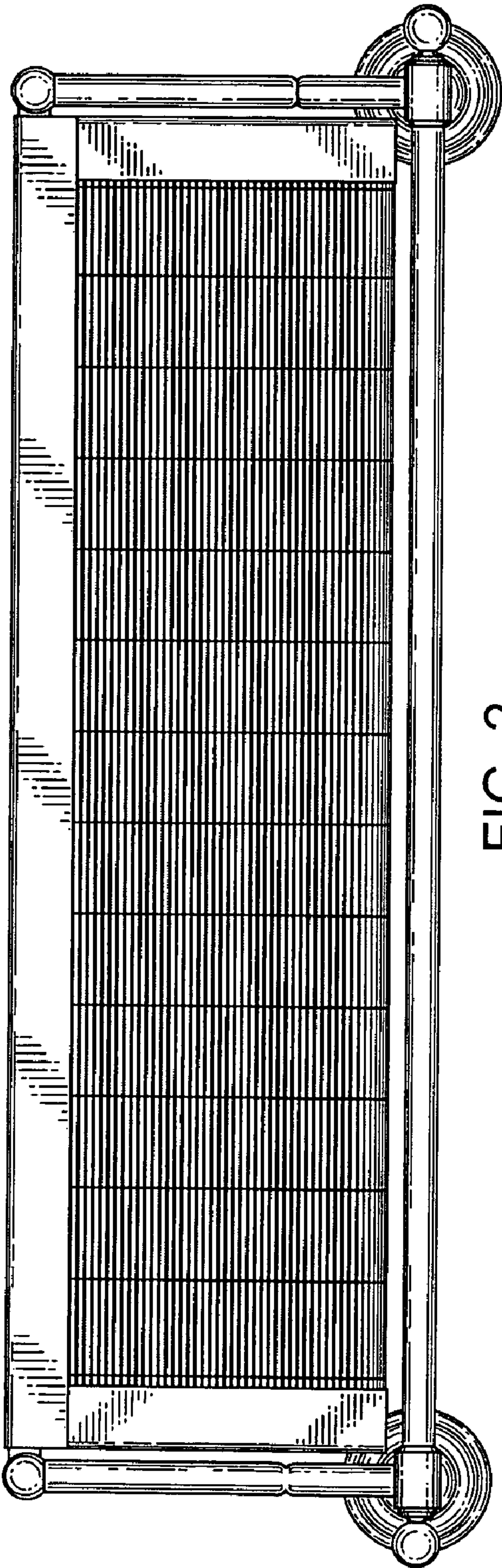


FIG. 2

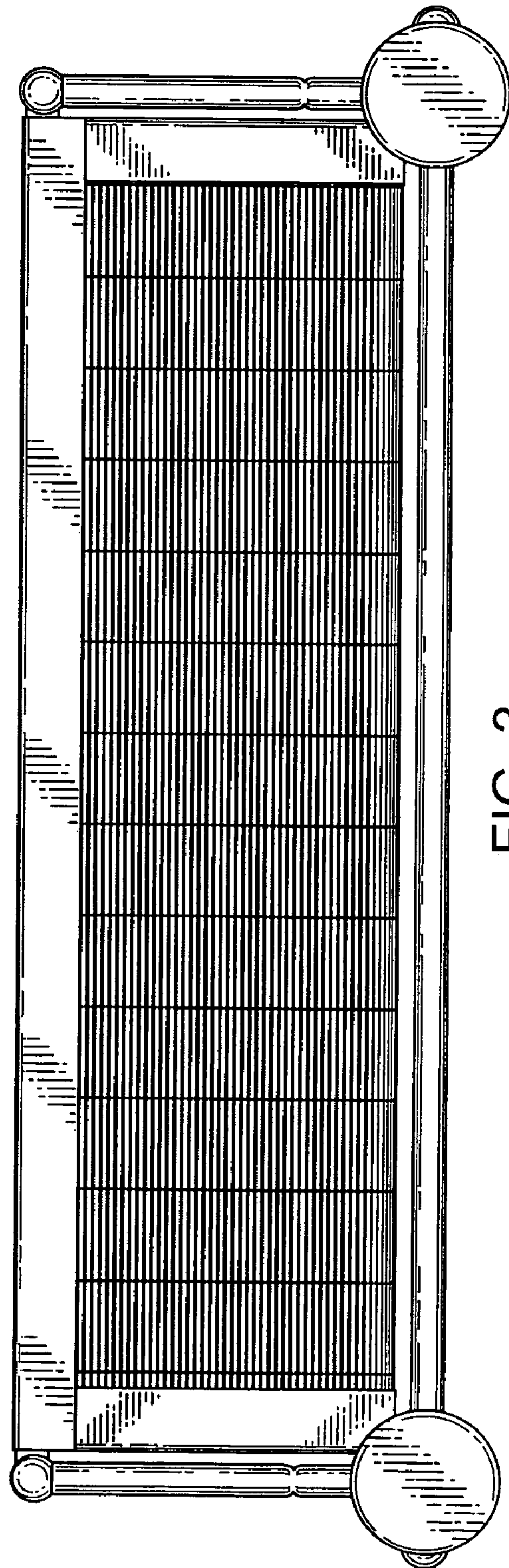


FIG. 3

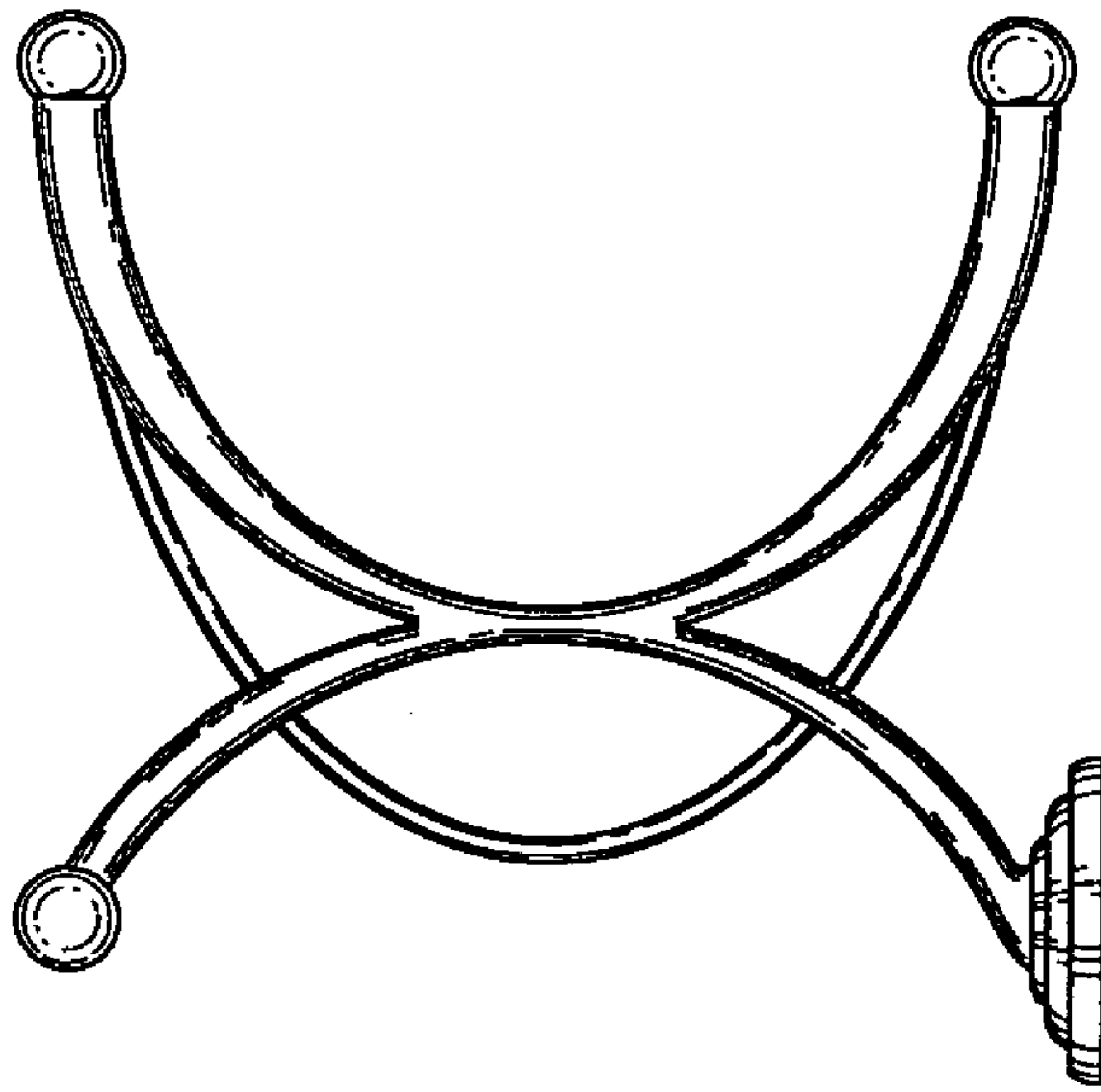


FIG. 4

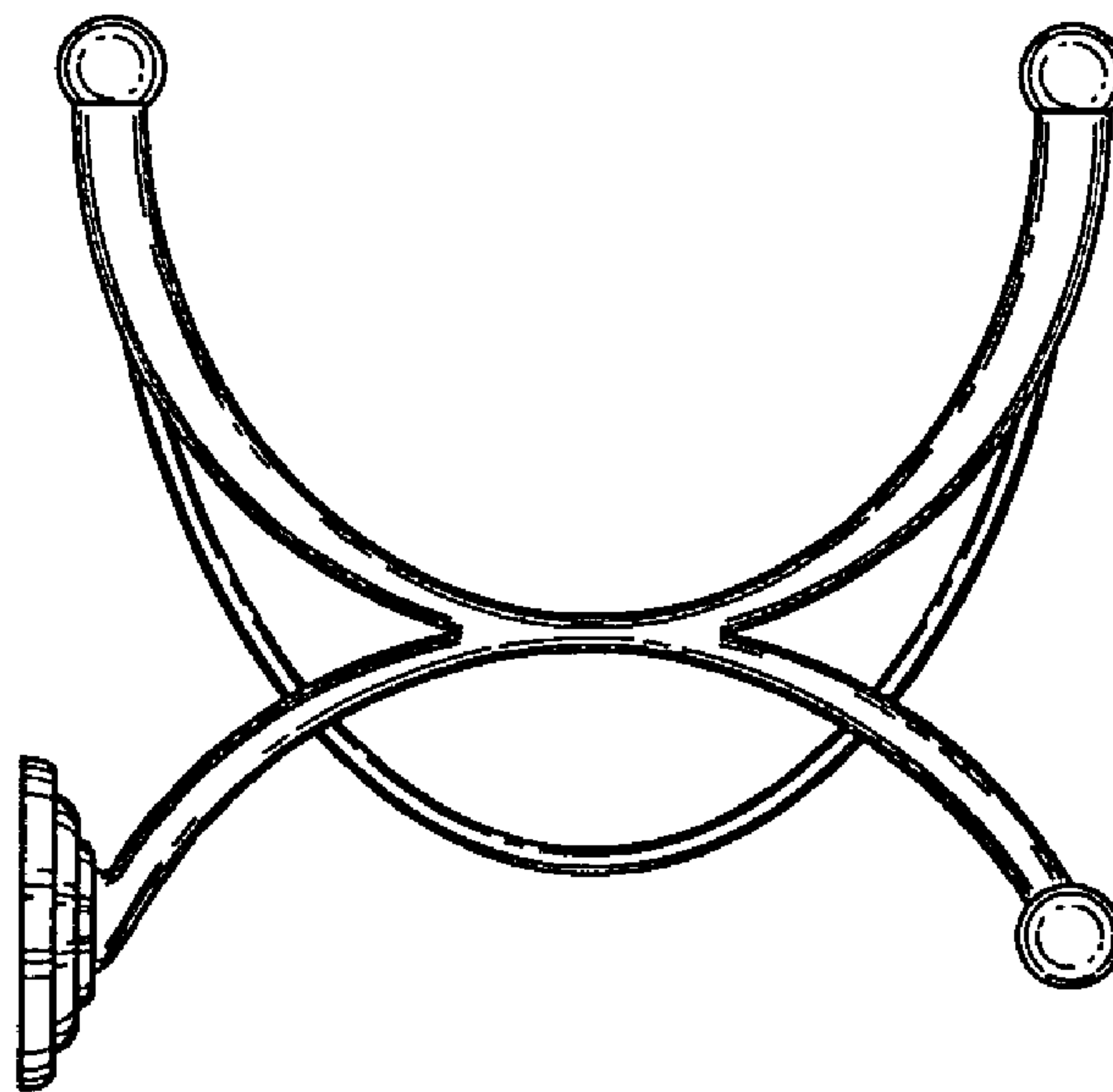


FIG. 5

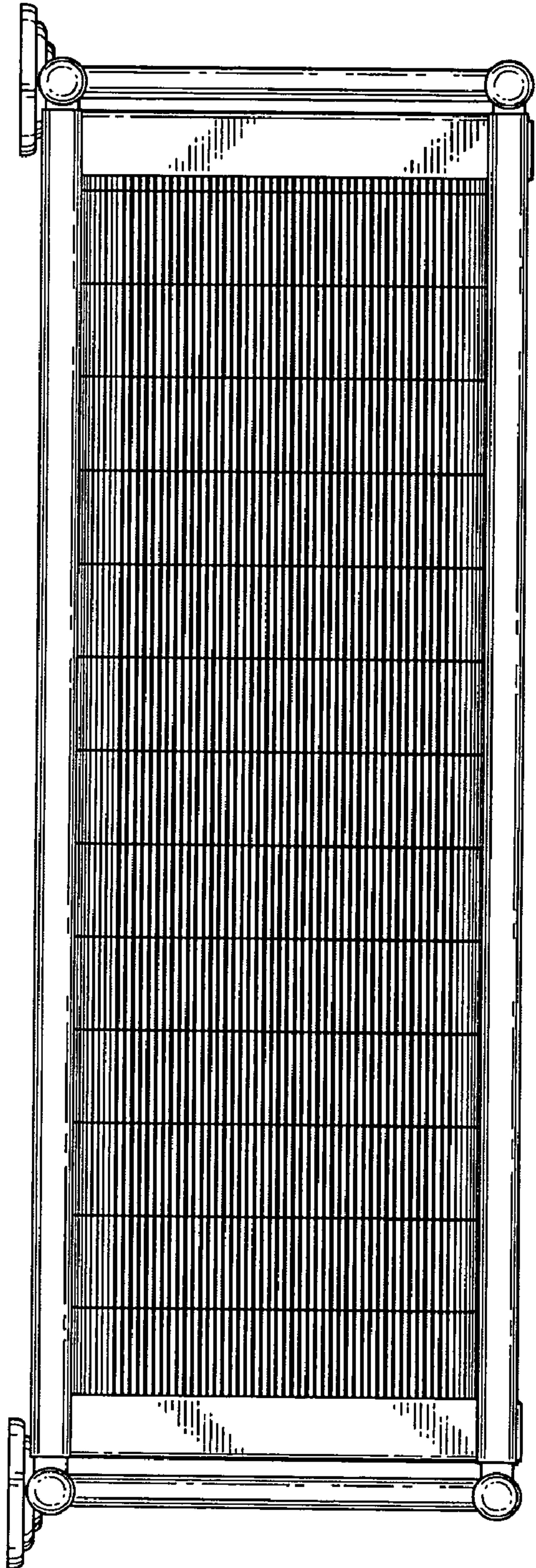


FIG. 6

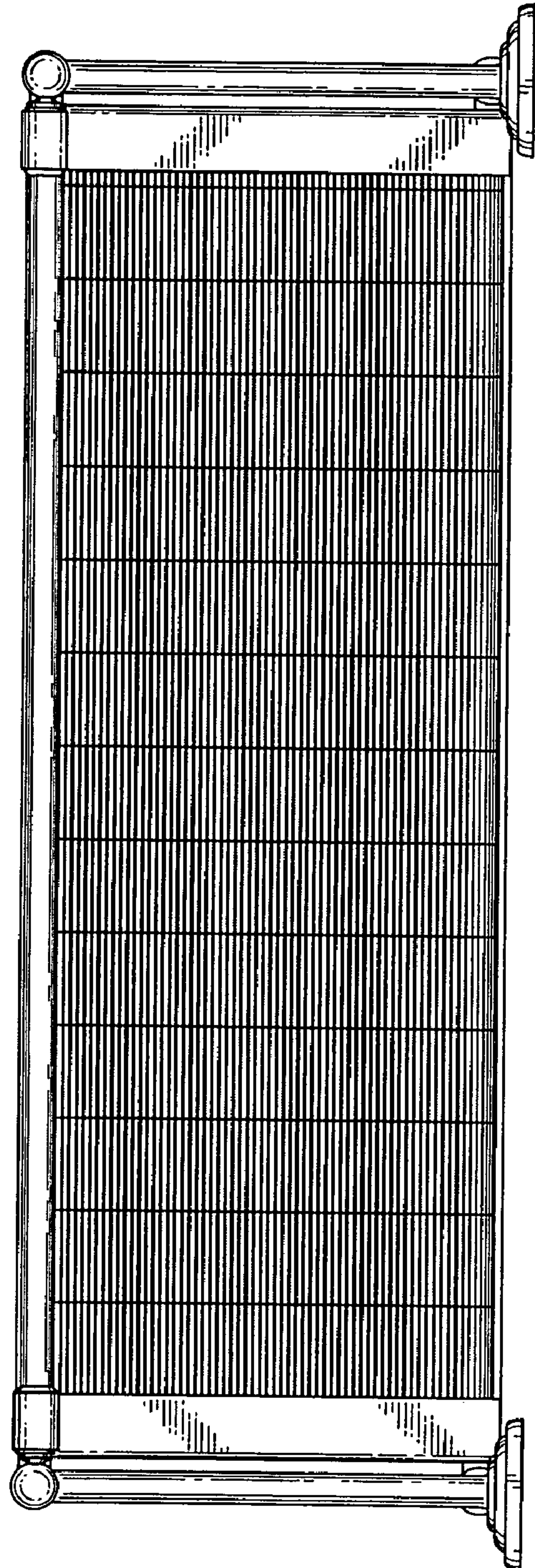


FIG. 7