



US00D557958S

(12) **United States Design Patent**
Baek et al.

(10) **Patent No.:** **US D557,958 S**

(45) **Date of Patent:** **** Dec. 25, 2007**

(54) **HOLDER FOR SUPPORTING A ROLL FILM**

(75) Inventors: **Yang Hyun Baek**, Jeonrabuk-do (KR);
Han Bitt Joo, Gyeonggi-do (KR)

(73) Assignee: **LG Electronics Inc.**, Seoul (KR)

(**) Term: **14 Years**

(21) Appl. No.: **29/262,356**

(22) Filed: **Jul. 3, 2006**

(30) **Foreign Application Priority Data**

Jan. 10, 2006 (KR) 30-2006-0000975

(51) **LOC (8) Cl.** **20-02**

(52) **U.S. Cl.** **D6/518**

(58) **Field of Classification Search** D6/515-523;
242/570, 590, 595, 596, 598; 206/308, 389,
206/413

See application file for complete search history.

(56) **References Cited**

U.S. PATENT DOCUMENTS

671,576 A * 4/1901 Barnett 242/596
D300,492 S * 4/1989 Pearce D6/518
D306,945 S * 4/1990 Lucchini D6/518
D327,192 S * 6/1992 Geuvjehizian D6/518

D356,458 S * 3/1995 Wobschall D6/518
5,662,288 A * 9/1997 Chiang 242/596
D410,356 S * 6/1999 Ardito D6/518
D426,991 S * 6/2000 Kent, Jr. D6/518
D441,577 S * 5/2001 Benedetti D6/518

* cited by examiner

Primary Examiner—Brian N Vinson

(74) *Attorney, Agent, or Firm*—Birch, Stewart, Kolasch & Birch, LLP

(57) **CLAIM**

We claim the ornamental design for holder for supporting a roll film, as shown and described.

DESCRIPTION

FIG. 1 is a perspective view of holder for supporting a roll film showing the new design:

FIG. 2 is a front elevation view thereof;

FIG. 3 is a rear elevation view thereof;

FIG. 4 is a left-side elevation view thereof;

FIG. 5 is a right-side elevation view thereof;

FIG. 6 is a top plan view thereof; and,

FIG. 7 is a bottom plan view thereof.

1 Claim, 4 Drawing Sheets

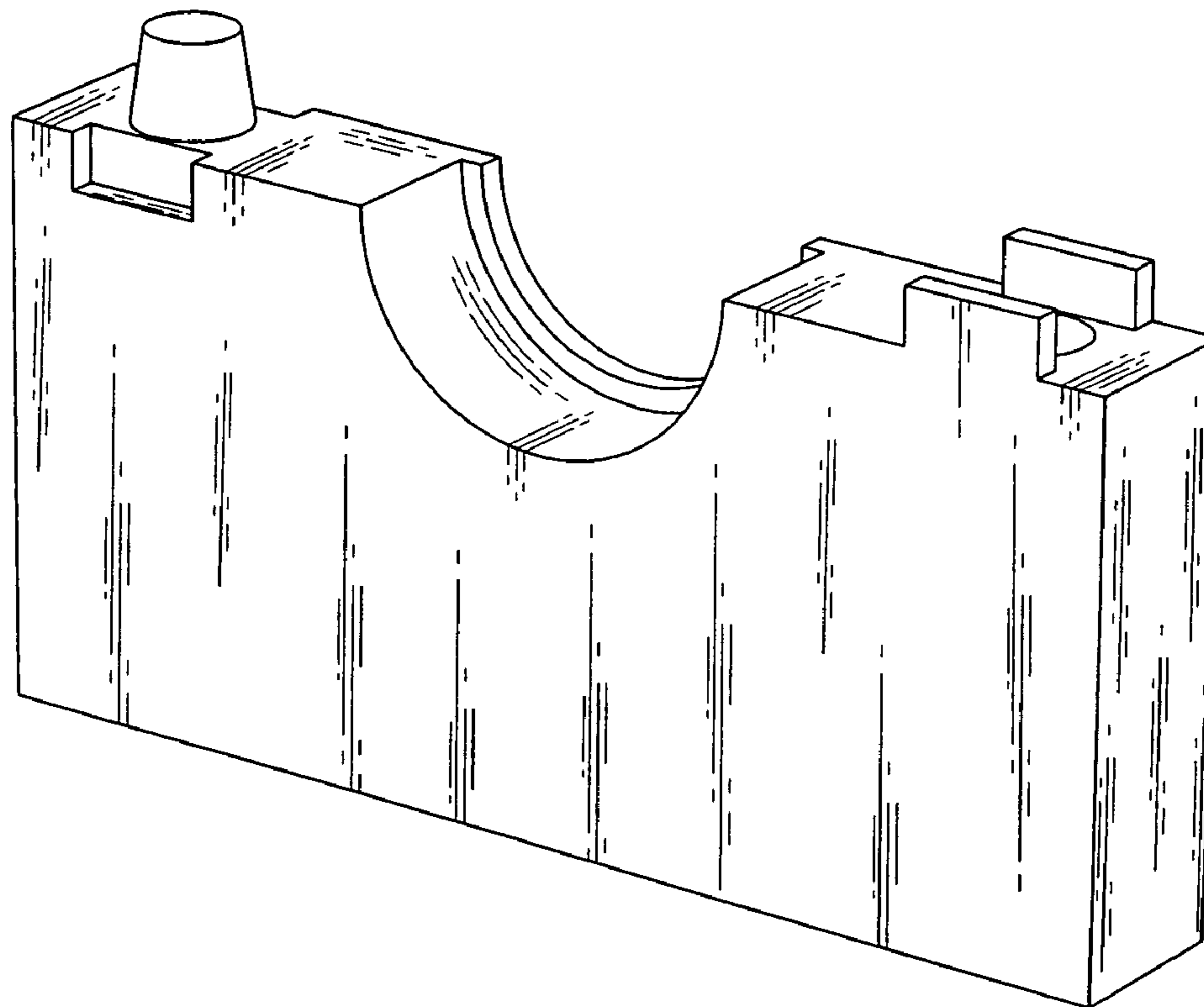


FIG. 1

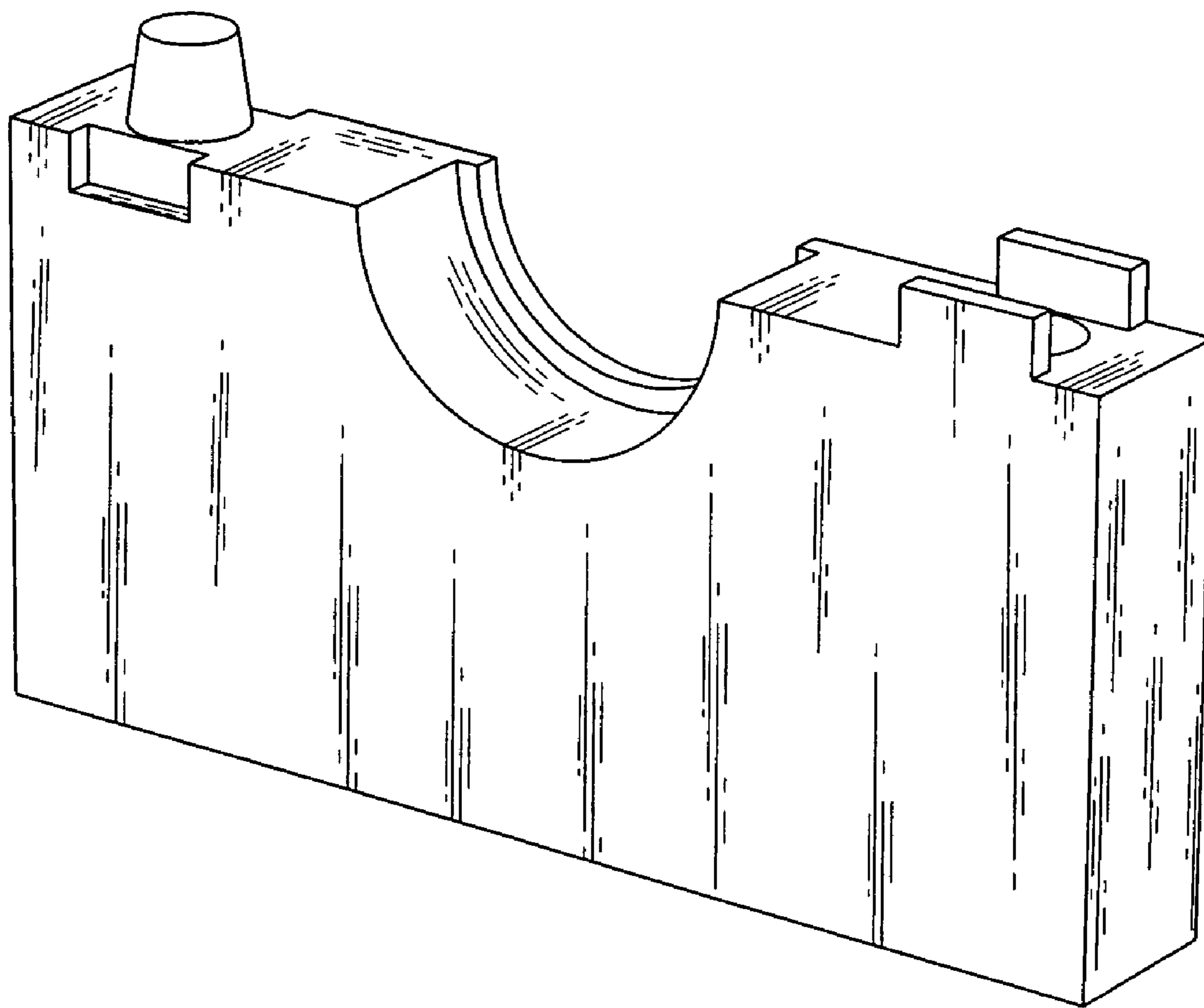


FIG. 2

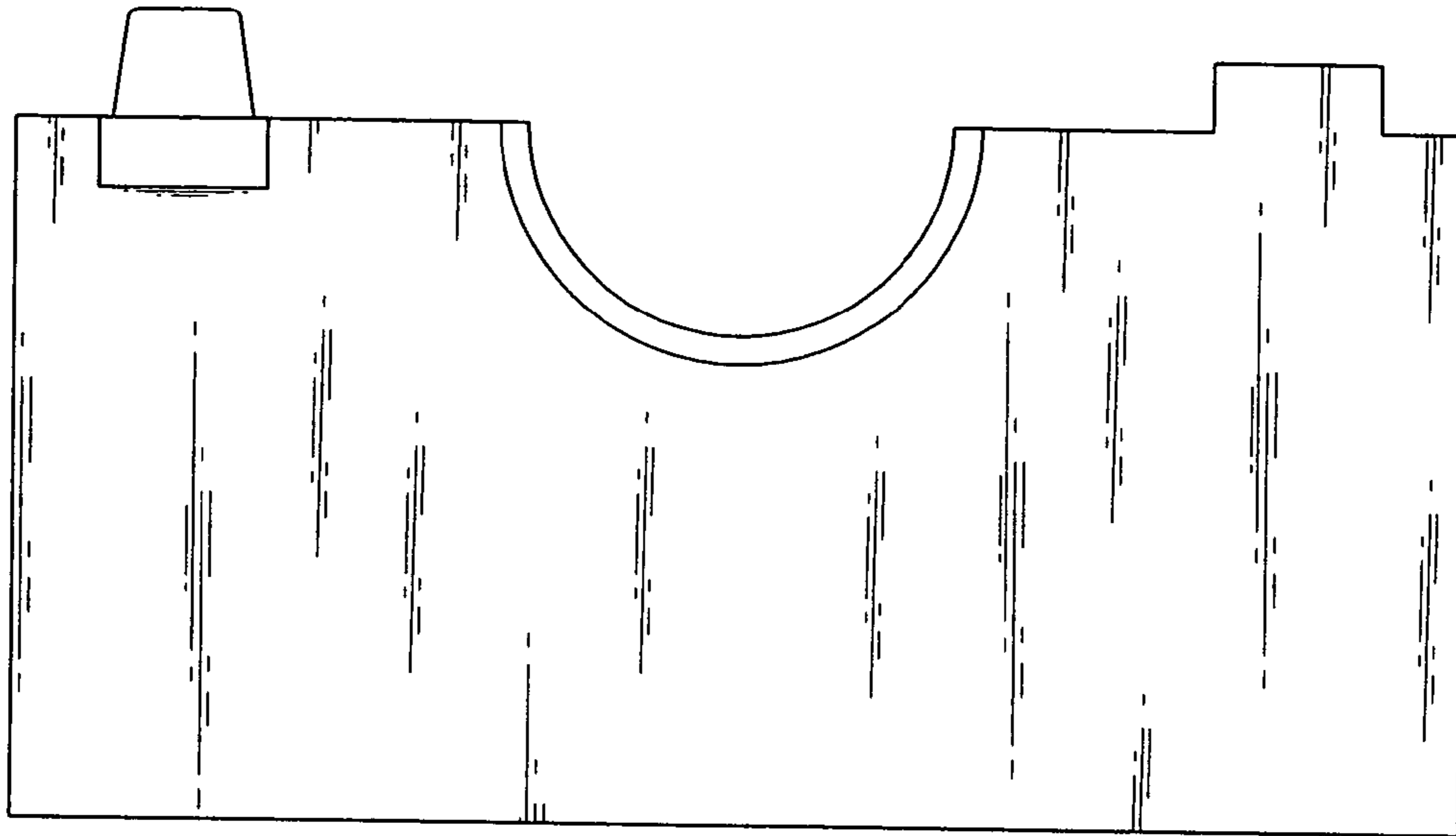


FIG. 3

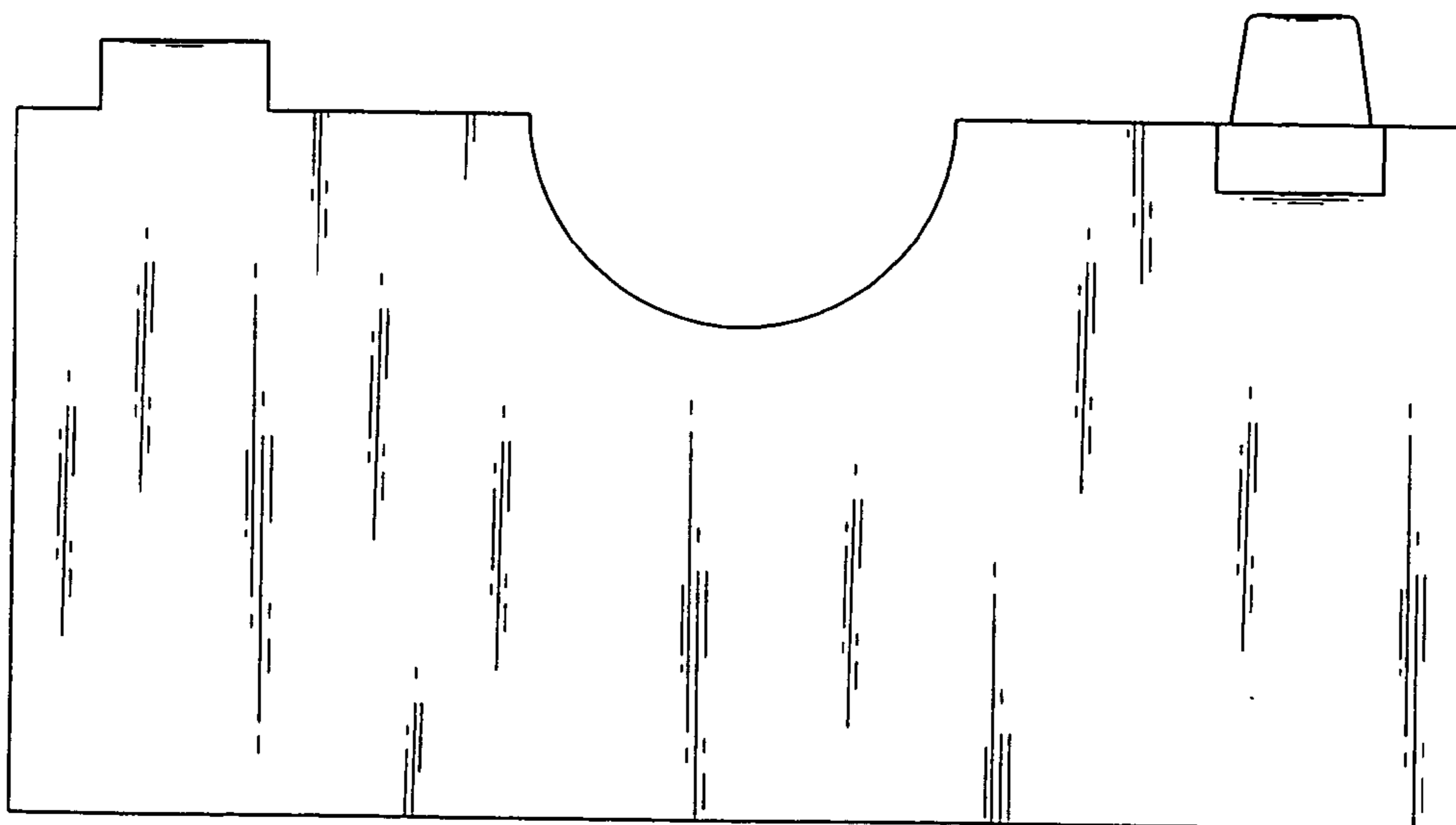


FIG. 4

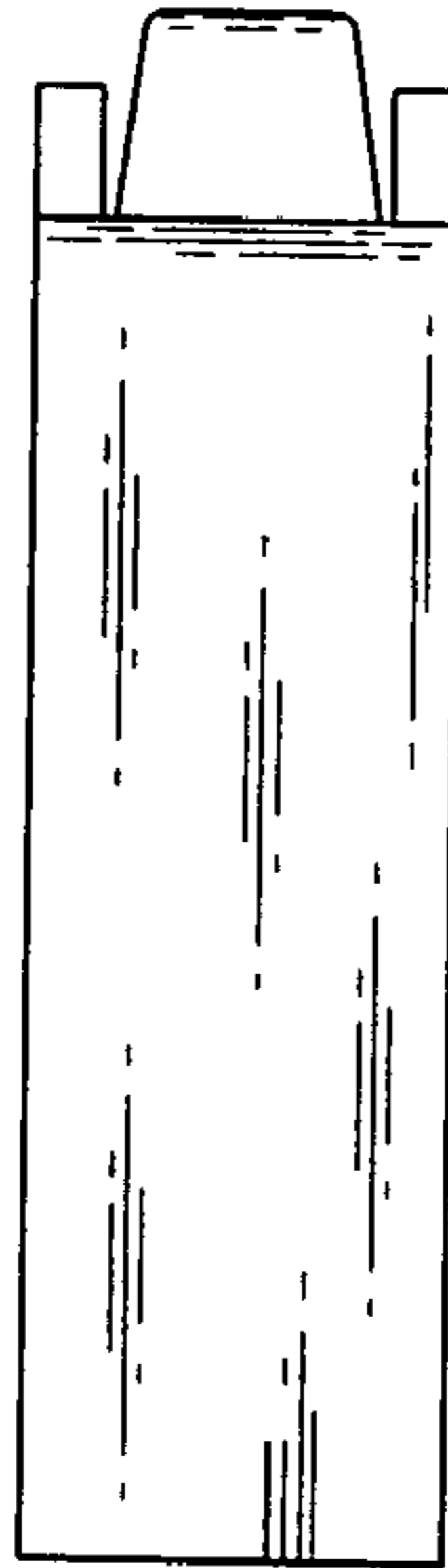


FIG. 5

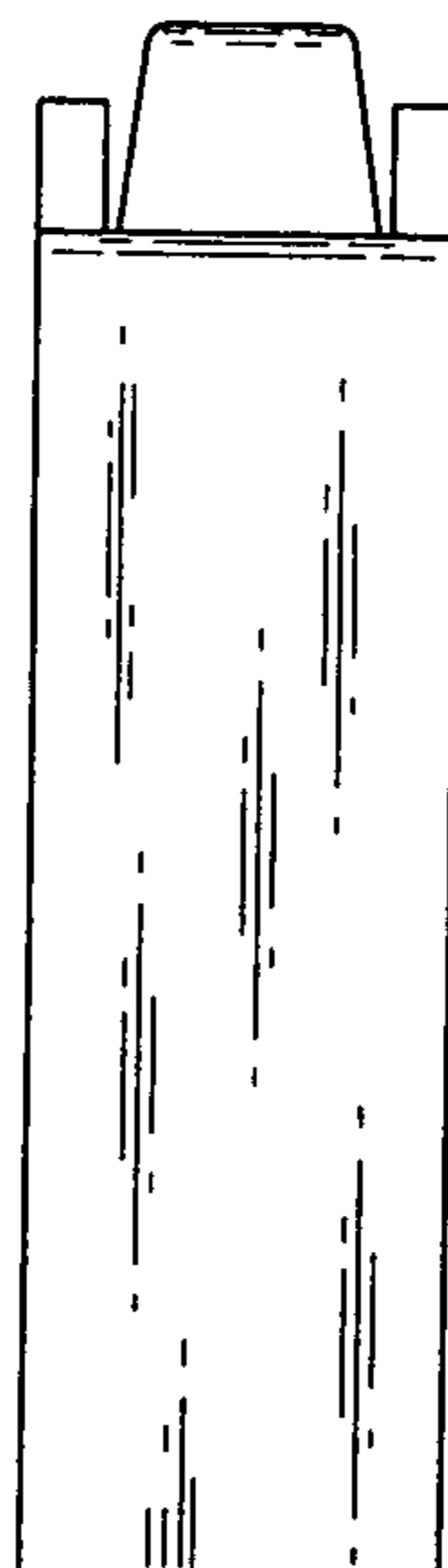


FIG. 6

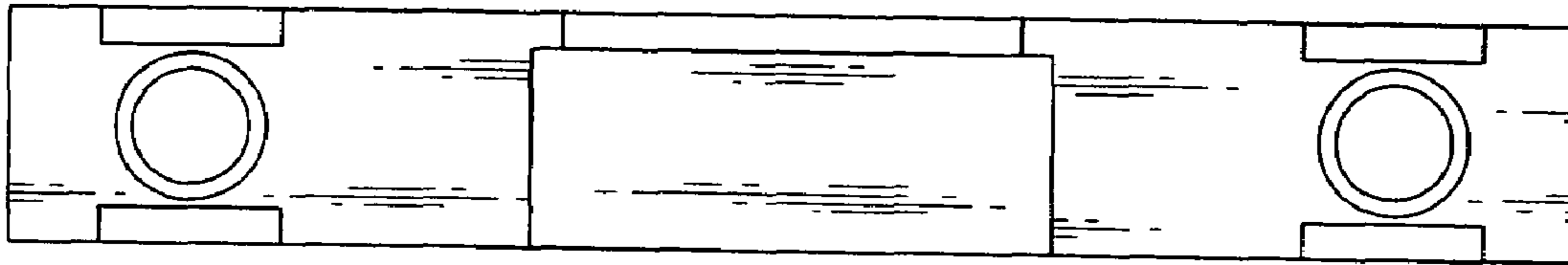


FIG. 7

