



US00D557957S

(12) **United States Design Patent**
Hwang

(10) **Patent No.:** **US D557,957 S**

(45) **Date of Patent:** **** *Dec. 25, 2007**

(54) **FOOD CARRIAGE FOR SHOW CASE**

(75) Inventor: **Jae Bok Hwang**, Seongnam-si (KR)

(73) Assignee: **Paris Croissant Co., Ltd.**,
Songnam-Shi, Kyoungki-Do (KR)

(*) Notice: This patent is subject to a terminal disclaimer.

(**) Term: **14 Years**

(21) Appl. No.: **29/245,350**

(22) Filed: **Dec. 21, 2005**

(30) **Foreign Application Priority Data**

Nov. 24, 2005 (KR) 30-2005-0039731

(51) **LOC (8) Cl.** **06-06**

(52) **U.S. Cl.** **D6/510**

(58) **Field of Classification Search** D6/408,
D6/509-511, 515; 312/330.1; 62/382; 211/59.2
See application file for complete search history.

(56) **References Cited**

U.S. PATENT DOCUMENTS

- 2,811,404 A * 10/1957 Brooks et al. 312/330.1
- 3,161,295 A * 12/1964 Chesley 211/59.3
- 3,805,964 A * 4/1974 Titus, Jr. 211/59.2
- D255,242 S * 6/1980 Berman et al. D15/89
- 5,222,612 A * 6/1993 Binder 312/330.1
- D353,159 S * 12/1994 Kirchner et al. D6/511
- 5,472,103 A * 12/1995 Merl 211/187
- D366,980 S * 2/1996 Sweere D6/510
- D369,708 S * 5/1996 Breen D6/515
- D402,131 S * 12/1998 Anderson et al. D6/408
- D402,823 S * 12/1998 Anderson et al. D6/408

- D426,979 S * 6/2000 Hwang D6/426
- D458,484 S * 6/2002 Wood D6/511
- D496,179 S * 9/2004 Sjoberg D6/408
- 6,840,593 B2 * 1/2005 Remmers 312/330.1
- 2005/0001522 A1 * 1/2005 Yang 312/330.1

FOREIGN PATENT DOCUMENTS

KR 287488 12/2001

* cited by examiner

Primary Examiner—Cathron Brooks

Assistant Examiner—Deanna Fluegeman

(74) *Attorney, Agent, or Firm*—James H. Walters

(57) **CLAIM**

I claim the ornamental design for food carriage for show case, as shown and described.

DESCRIPTION

FIG. 1 is a perspective view of the design for a food carriage for show case;

FIG. 2 is a front view of the design of FIG. 1;

FIG. 3 is a rear elevational view of the design of FIG. 1;

FIG. 4 is a left side view of the design of FIG. 1;

FIG. 5 is a right side view of the design of FIG. 1;

FIG. 6 is a top view of the design of FIG. 1;

FIG. 7 is a bottom view of the design of FIG. 1; and,

FIG. 8 is a perspective view of the design of FIG. 1, shown in use.

The broken lines shown are for illustrative purposes only and form no part of the claimed design.

1 Claim, 6 Drawing Sheets

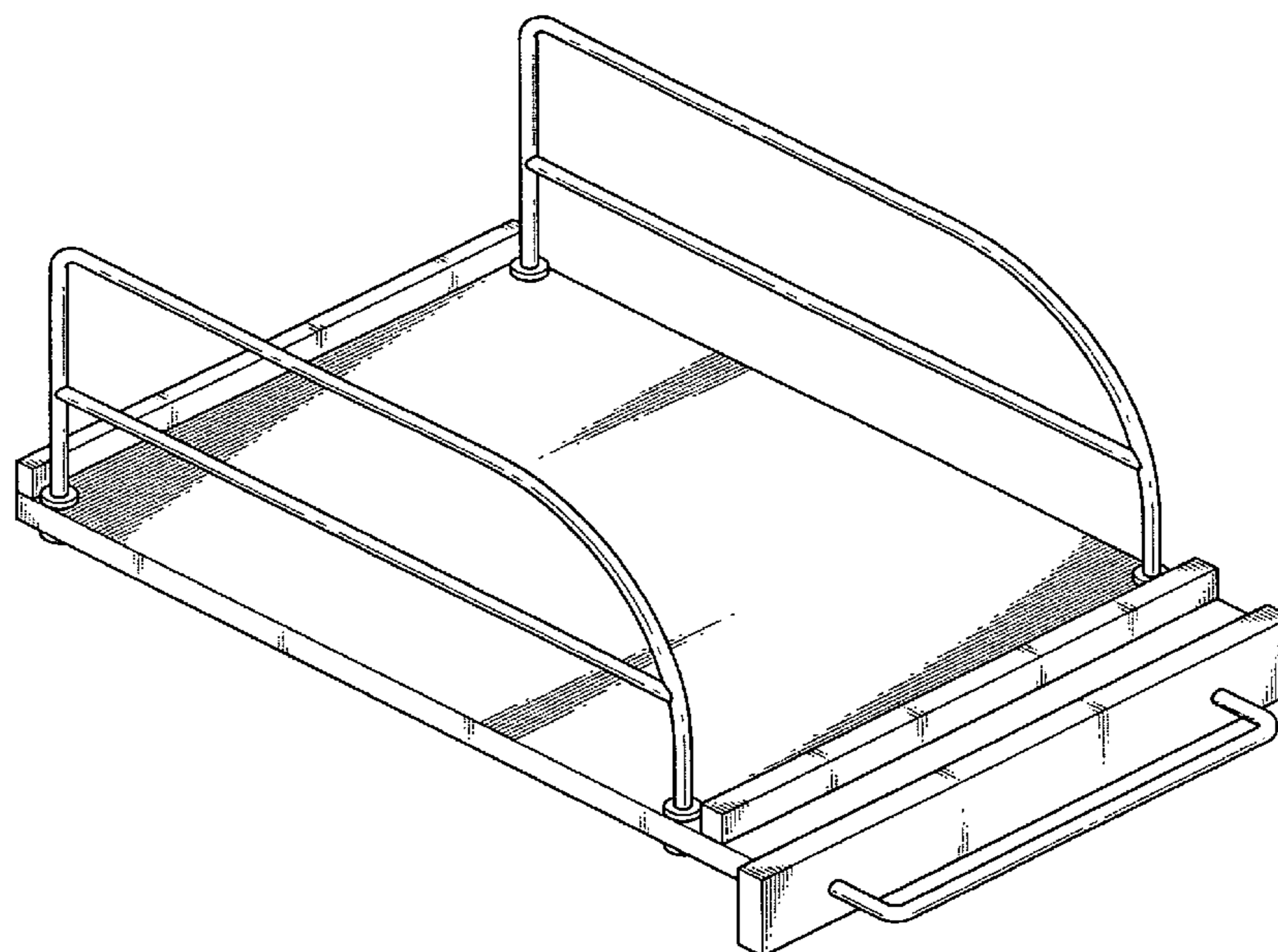


FIG. 1

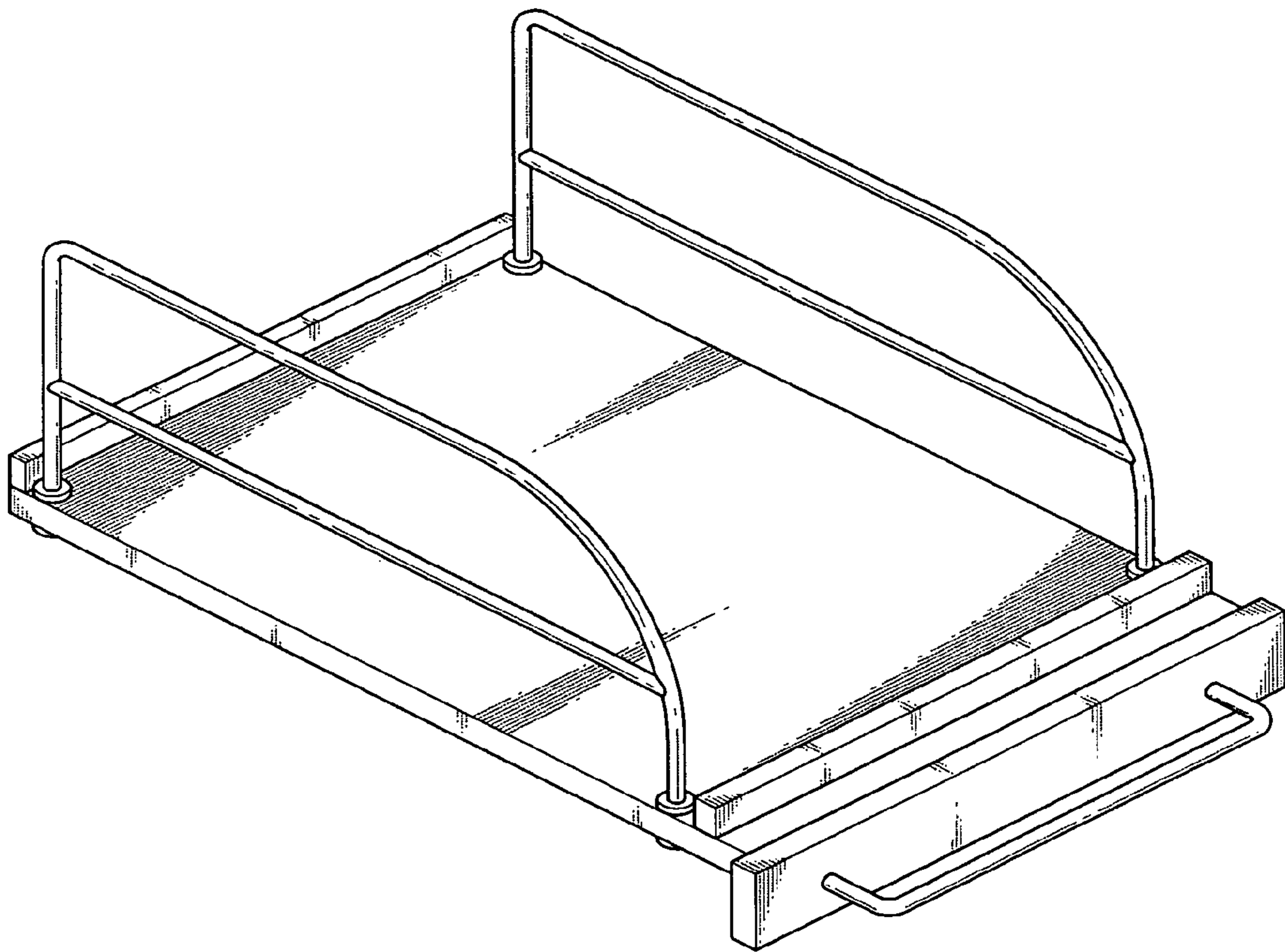


FIG. 2

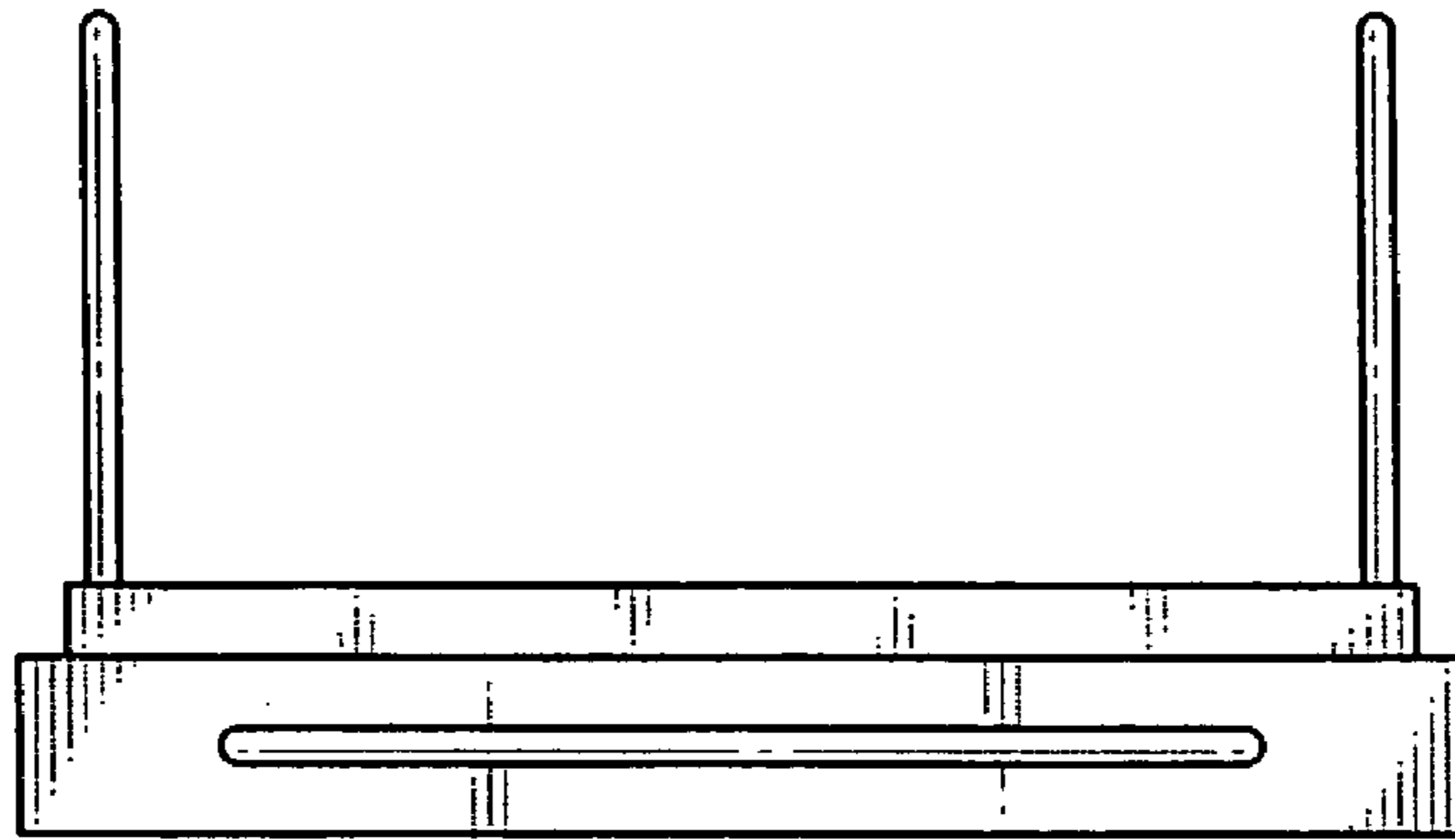


FIG. 3

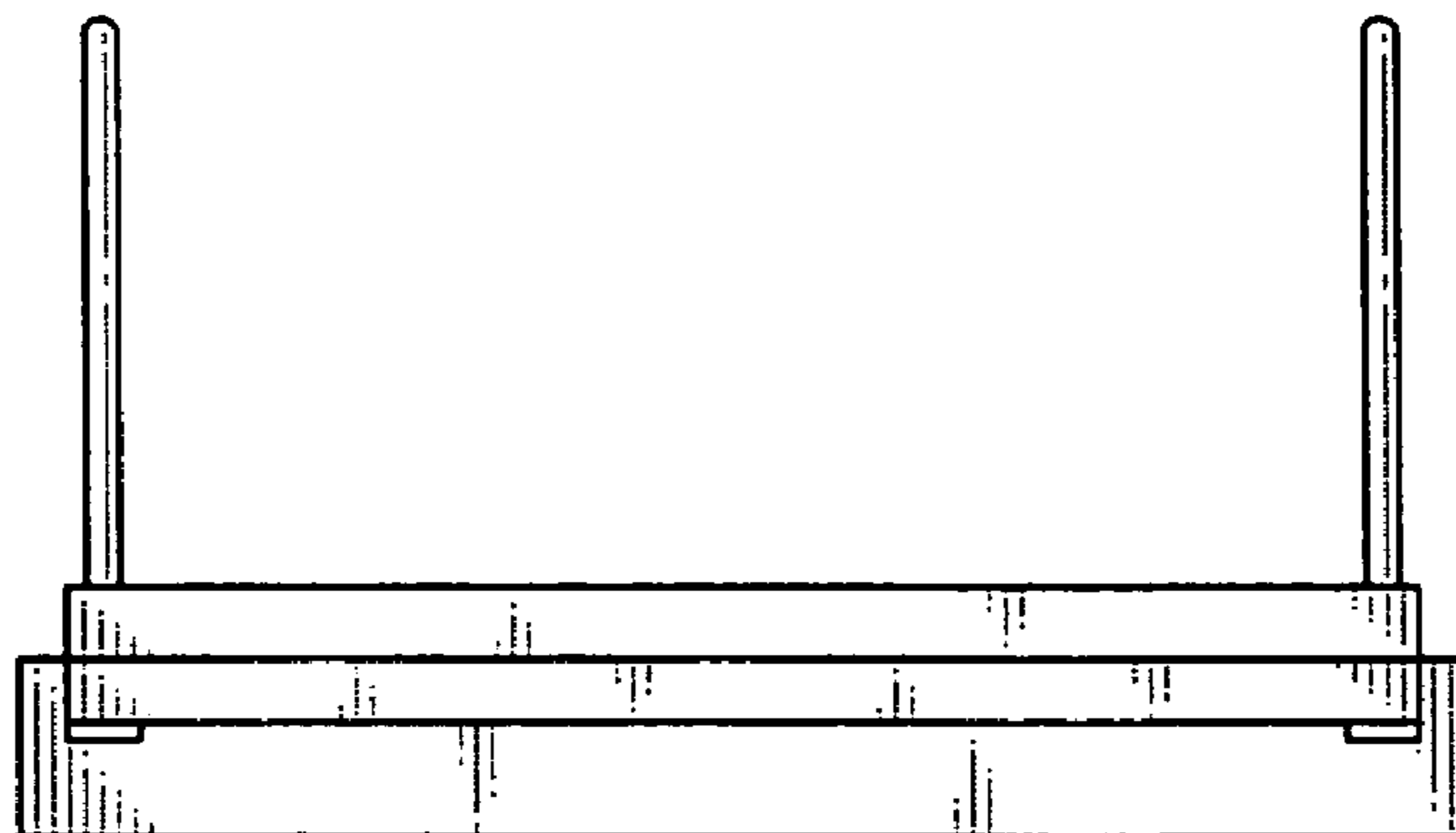


FIG. 4

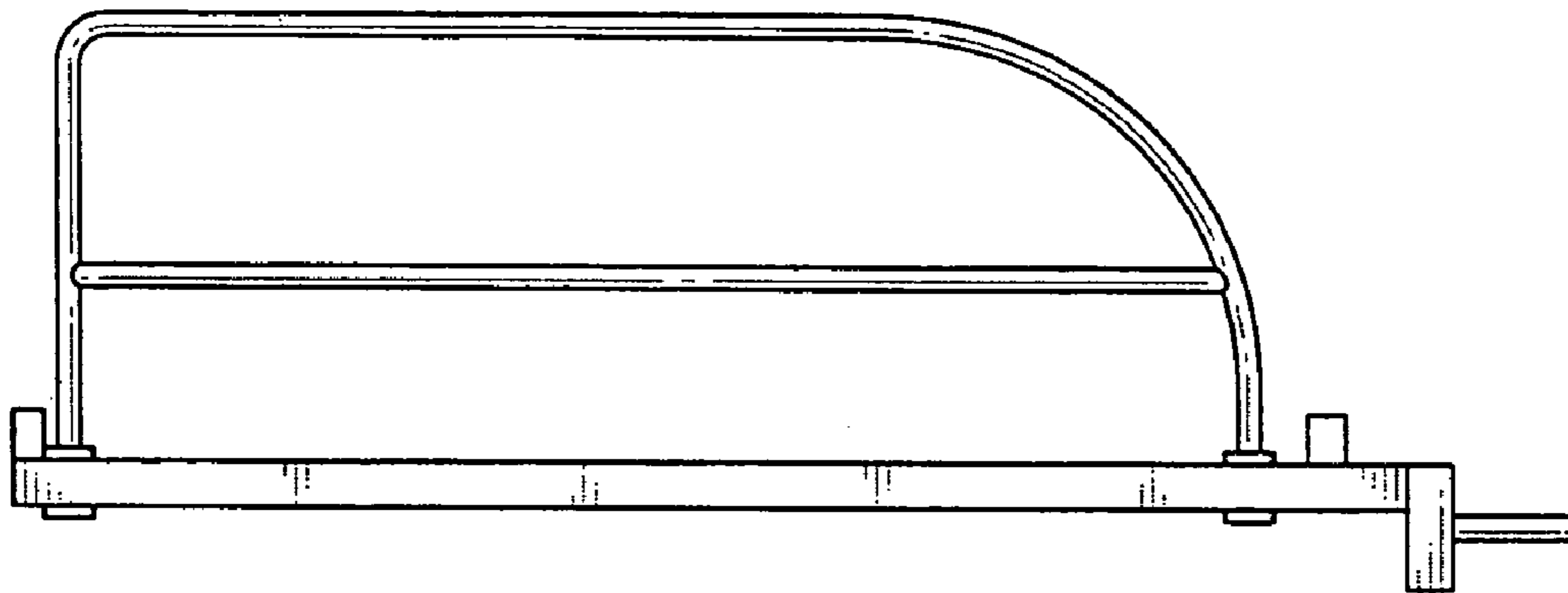


FIG. 5

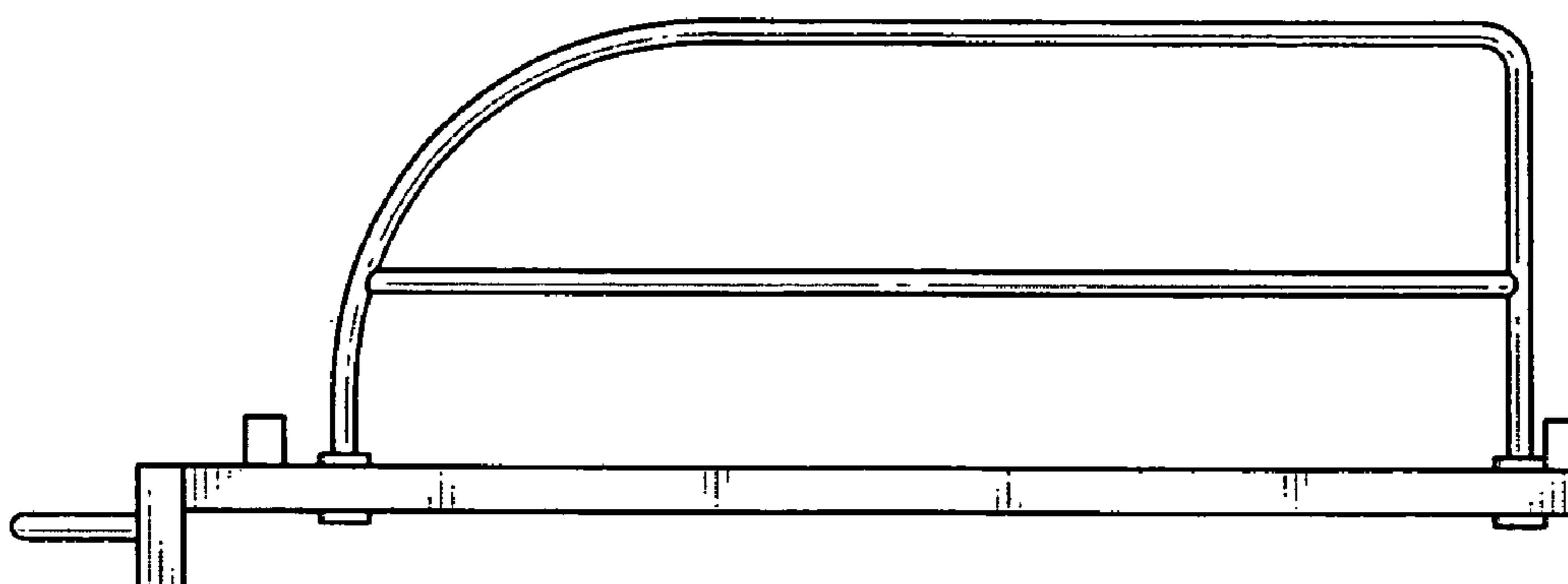


FIG. 6

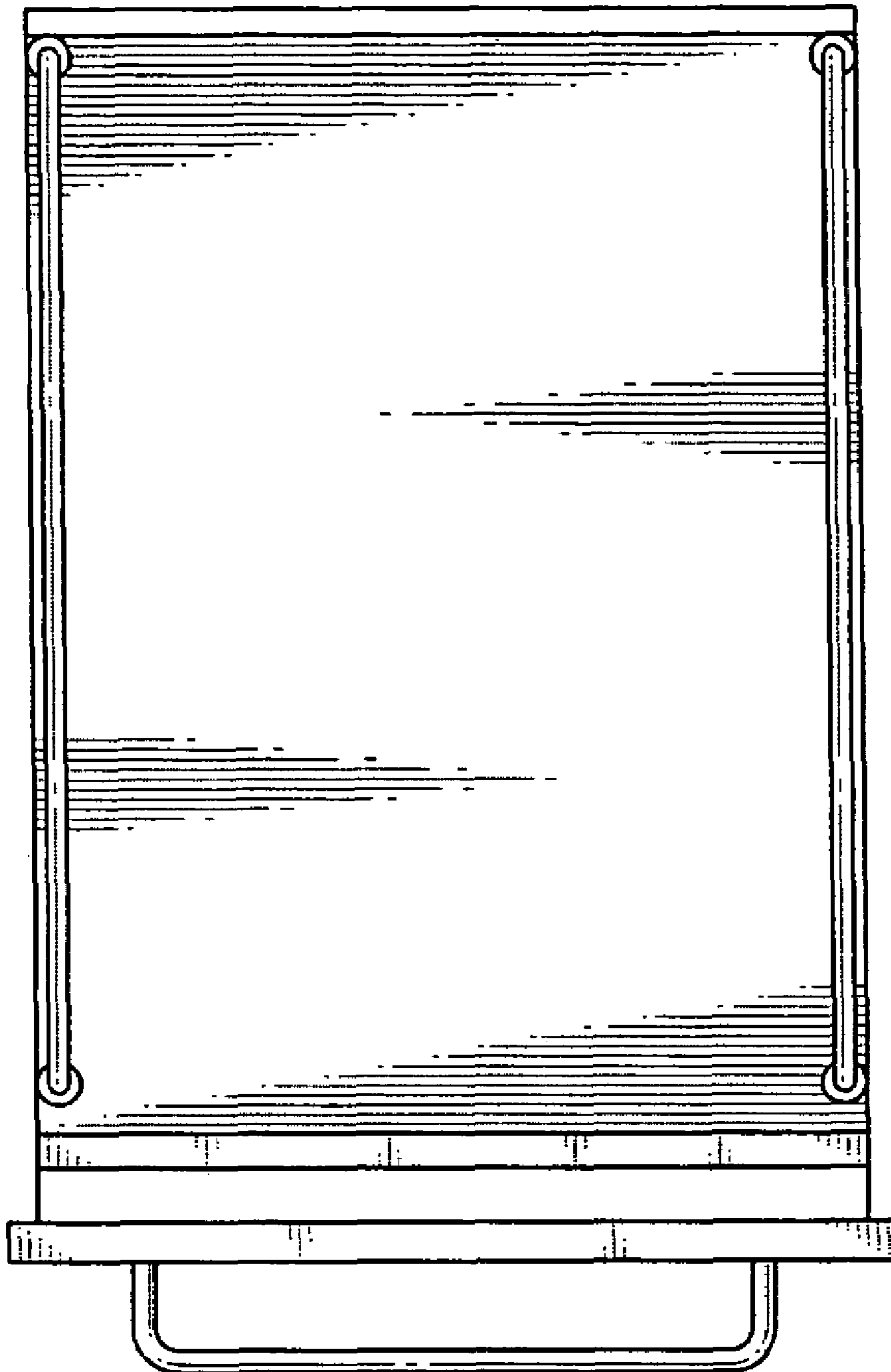


FIG. 7

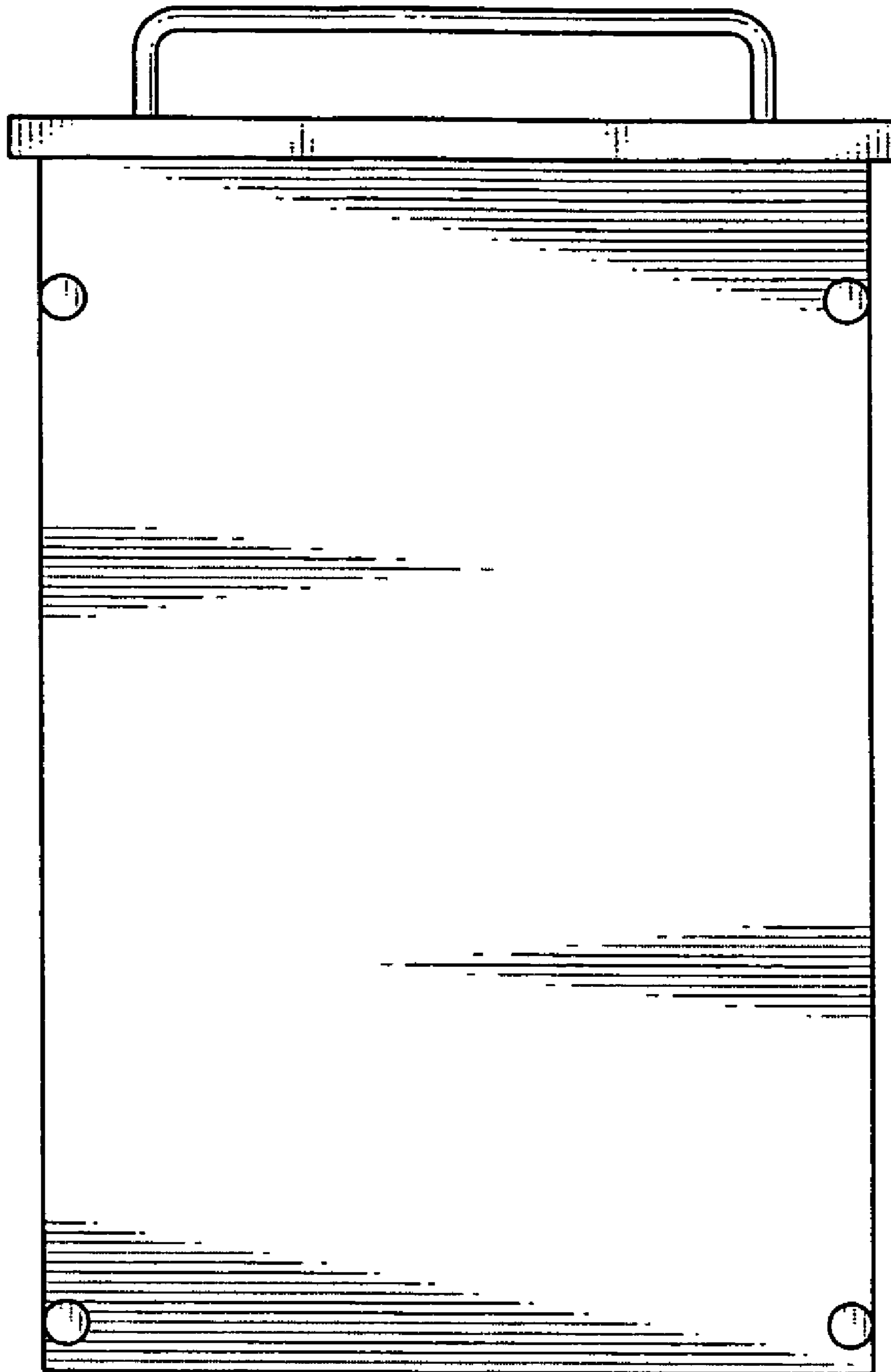


FIG. 8

