



US00D557950S

(12) **United States Design Patent**
Lu

(10) **Patent No.:** **US D557,950 S**

(45) **Date of Patent:** **** Dec. 25, 2007**

(54) **ARMREST**

(76) Inventor: **Shunjie Lu**, No. 86, Keyuancheng
Industry Area, Tianxin Village, Tangxia
Town, Dongguan City, Guangdong
Province (CN)

(**) Term: **14 Years**

(21) Appl. No.: **29/271,616**

(22) Filed: **Jan. 23, 2007**

(30) **Foreign Application Priority Data**

Jul. 27, 2006 (CN) 2006 3 0017779

(51) **LOC (8) Cl.** **06-06**

(52) **U.S. Cl.** **D6/501; D6/366**

(58) **Field of Classification Search** D6/334-336,
D6/364, 365, 366, 367, 374, 379, 491, 500-502;
297/411.2, 411.27, 411.28, 411.36, 452.37
See application file for complete search history.

(56) **References Cited**

U.S. PATENT DOCUMENTS

D390,712 S * 2/1998 Koepke et al. D6/366
D406,710 S * 3/1999 Holstenson D6/501
D411,396 S * 6/1999 Stumpf D6/501
D487,359 S * 3/2004 Giugiaro D6/366
D489,542 S * 5/2004 Giugiaro D6/366

D492,130 S * 6/2004 Tai D6/366
D497,266 S * 10/2004 Tai D6/366
D506,336 S * 6/2005 Bock D6/501
D506,626 S * 6/2005 Chen D6/500
D534,365 S * 1/2007 Breen D6/366
D535,505 S * 1/2007 Cai D6/501
D540,554 S * 4/2007 Yang D6/366

* cited by examiner

Primary Examiner—Mimosa De

(74) *Attorney, Agent, or Firm*—Westman, Champlin &
Kelly, P.A.

(57) **CLAIM**

The ornamental design for an armrest, as shown and
described.

DESCRIPTION

FIG. 1 is a front elevational view of an armrest showing my
new design;

FIG. 2 is a right elevational view thereof;

FIG. 3 is a left elevational view thereof;

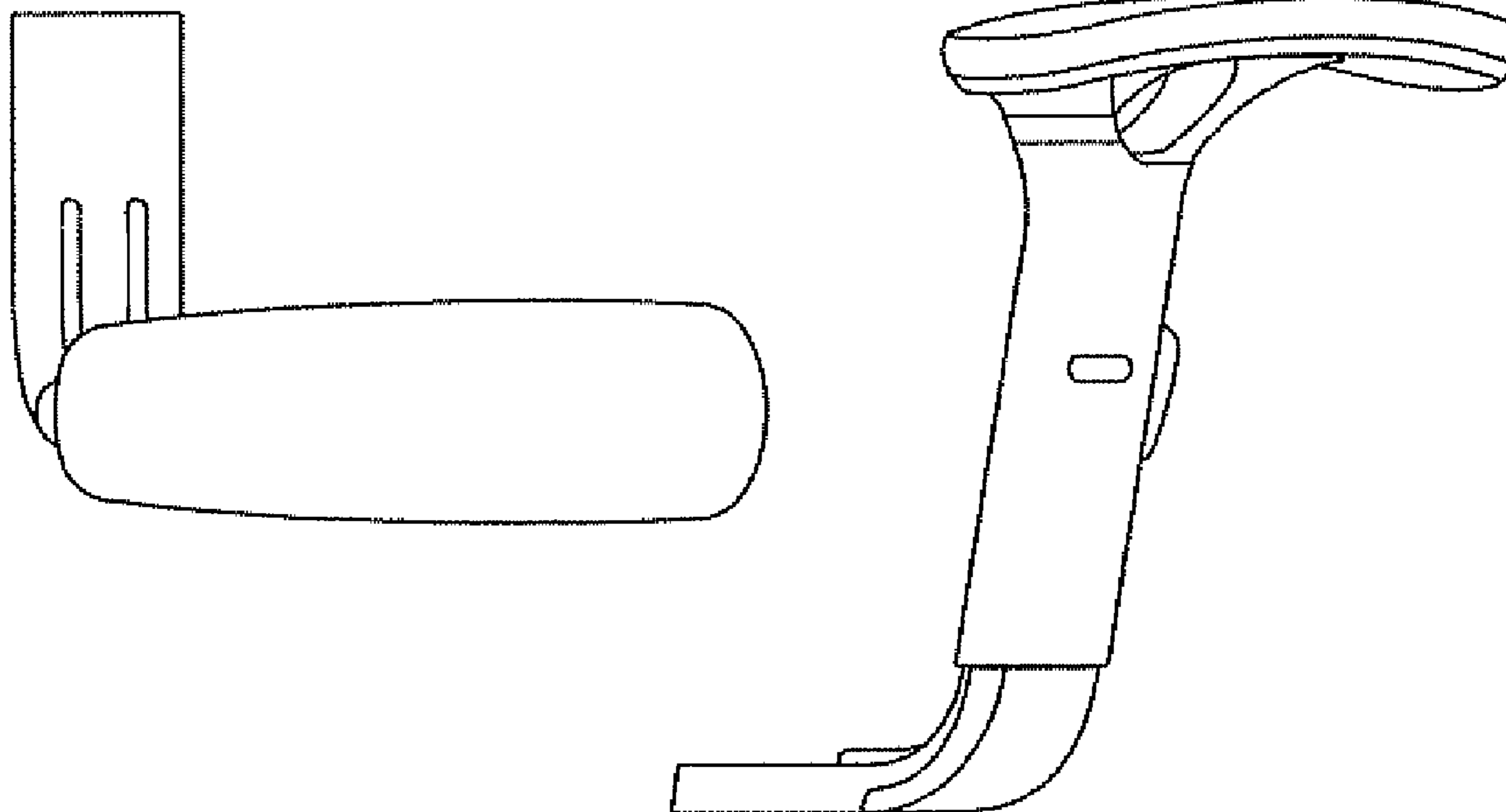
FIG. 4 is a bottom plan view thereof;

FIG. 5 is a top plan view thereof;

FIG. 6 is a rear elevational view thereof; and,

FIG. 7 is a front perspective view thereof.

1 Claim, 2 Drawing Sheets



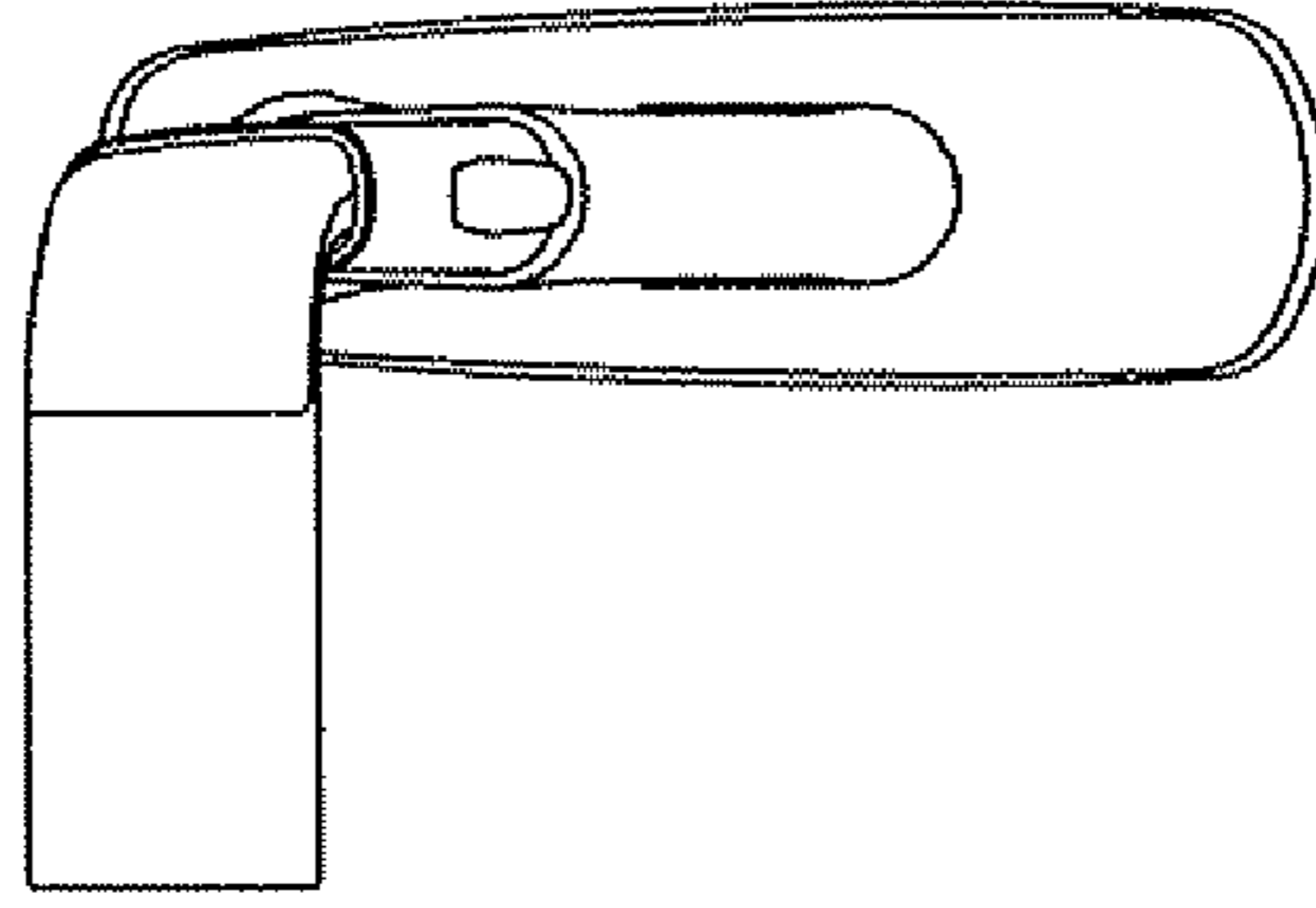


FIG. 4

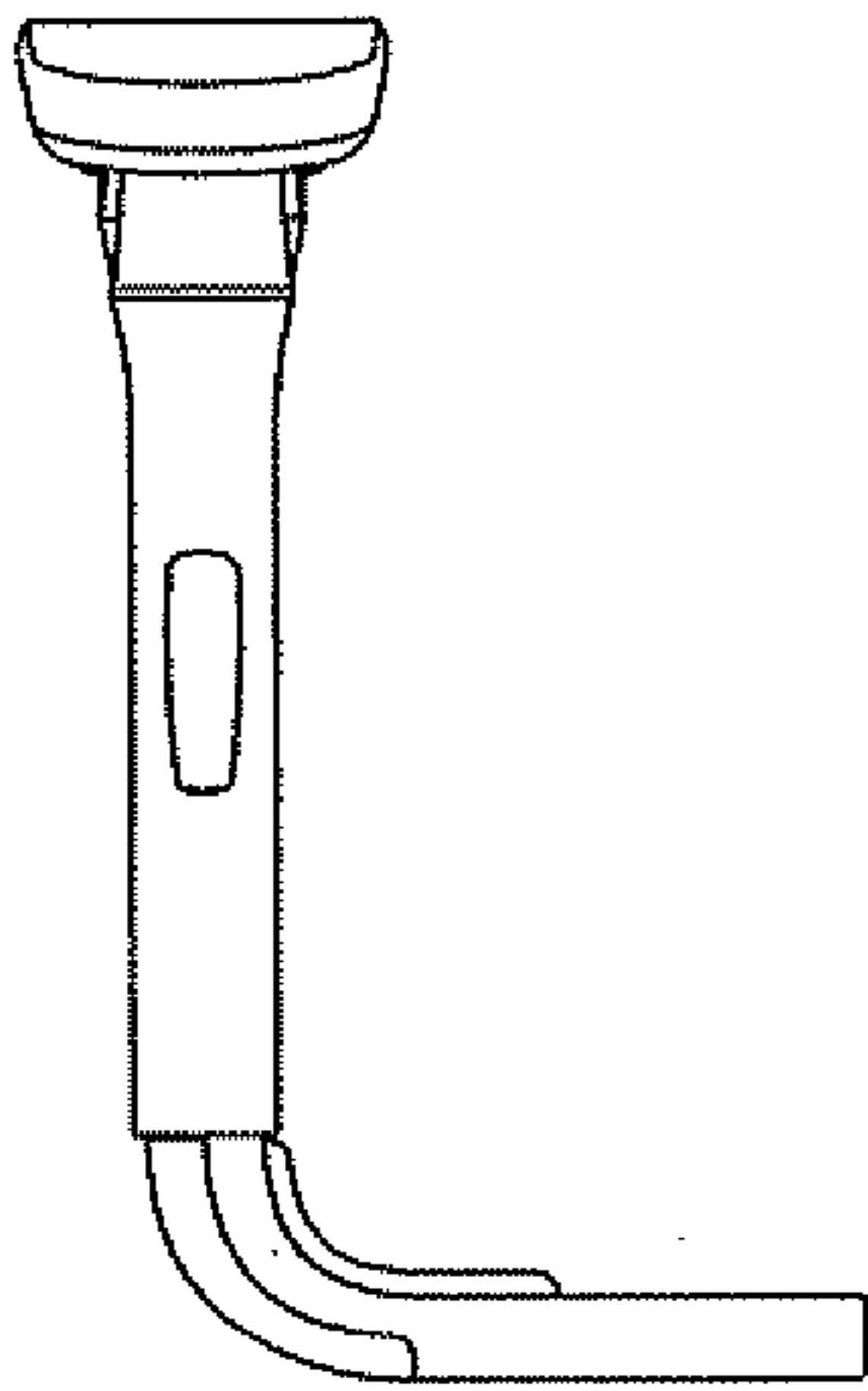


FIG. 2

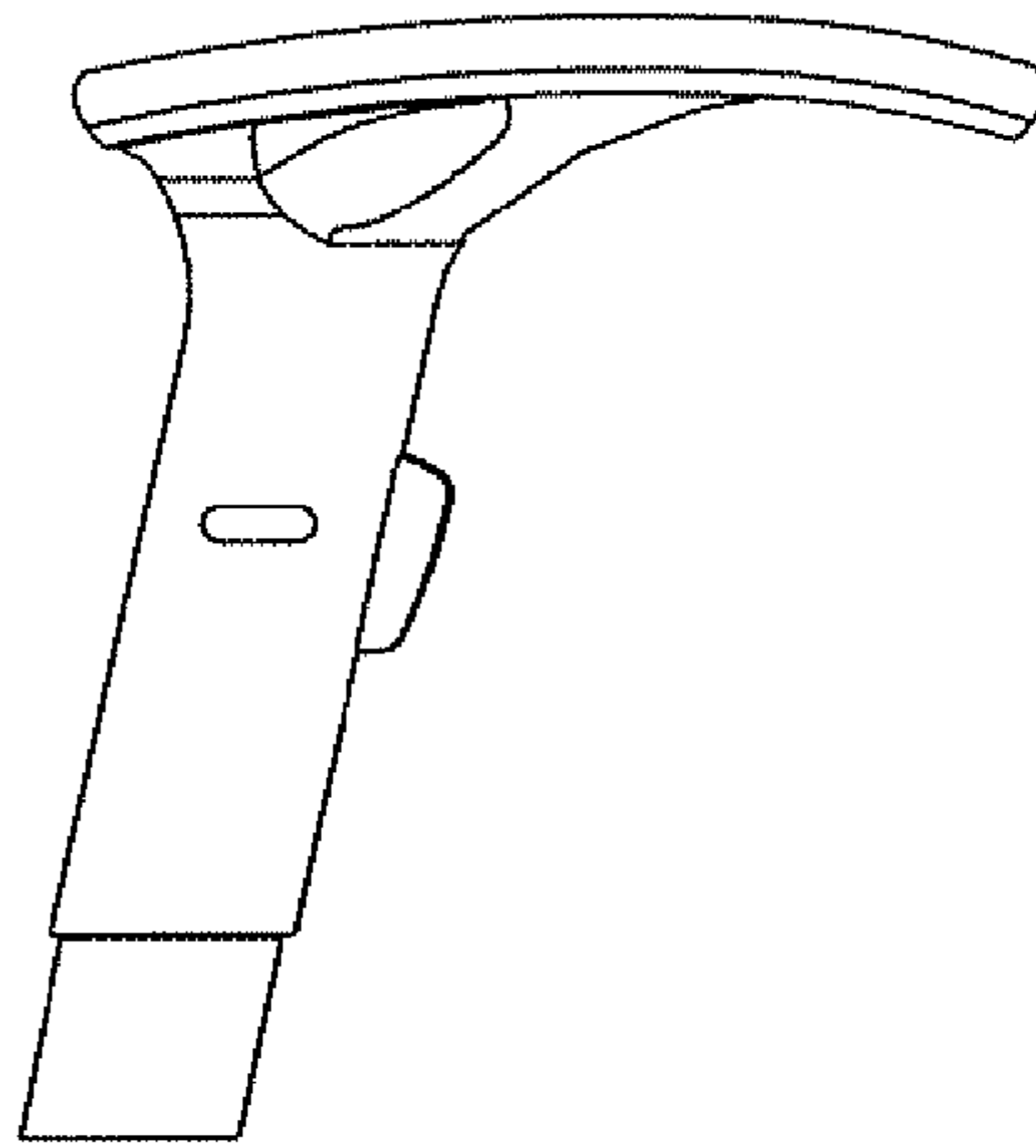


FIG. 1

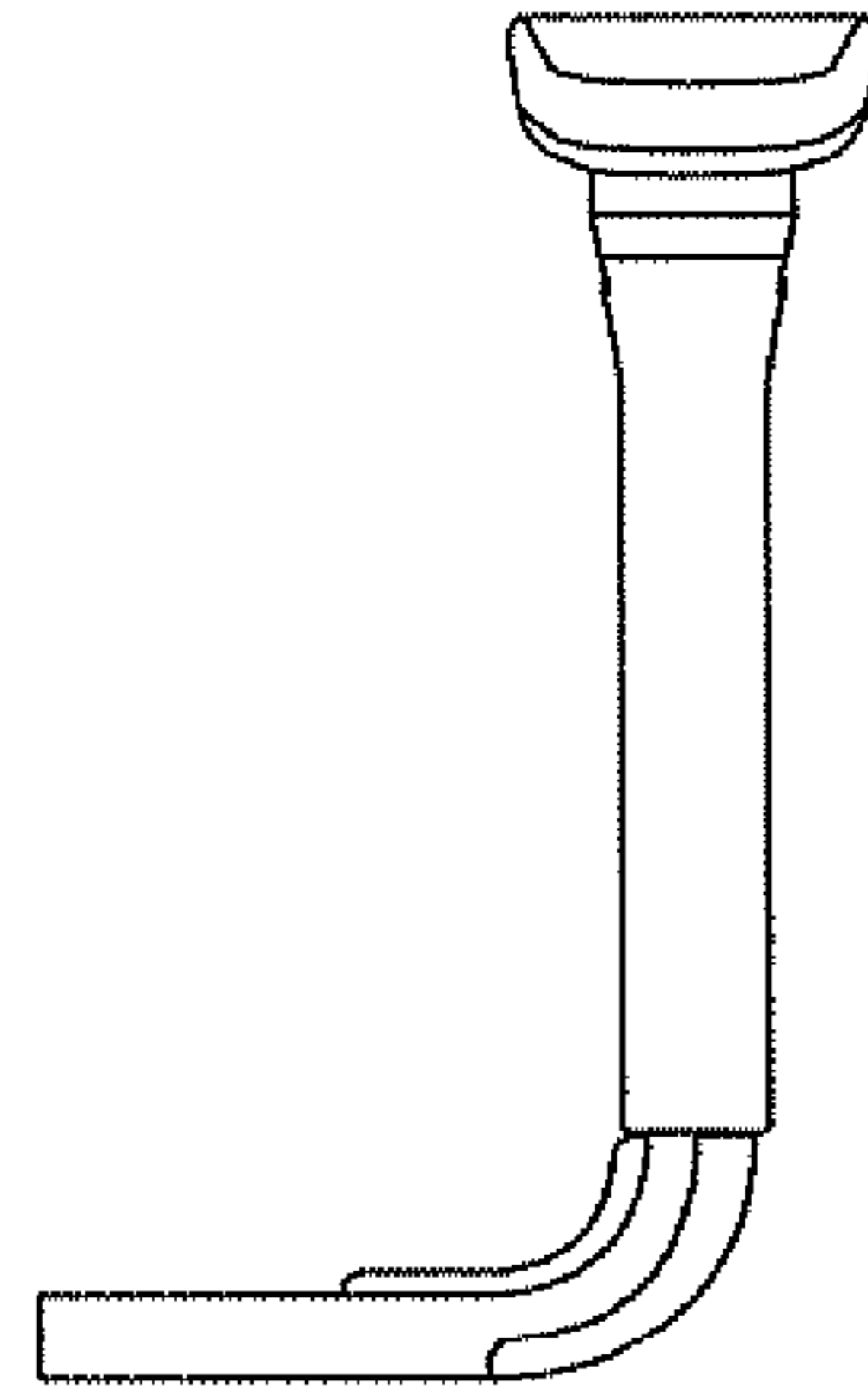


FIG. 3

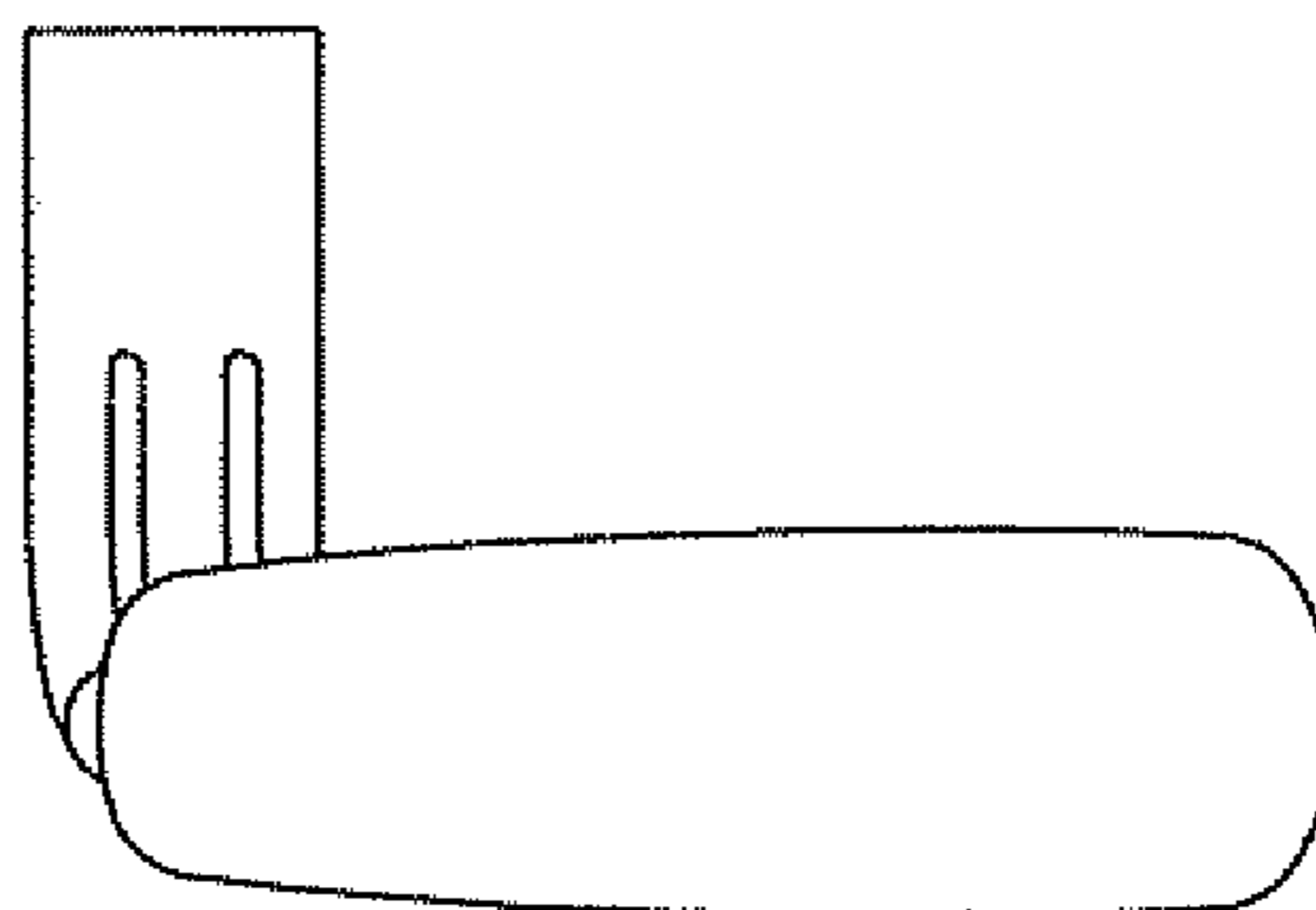


FIG. 5

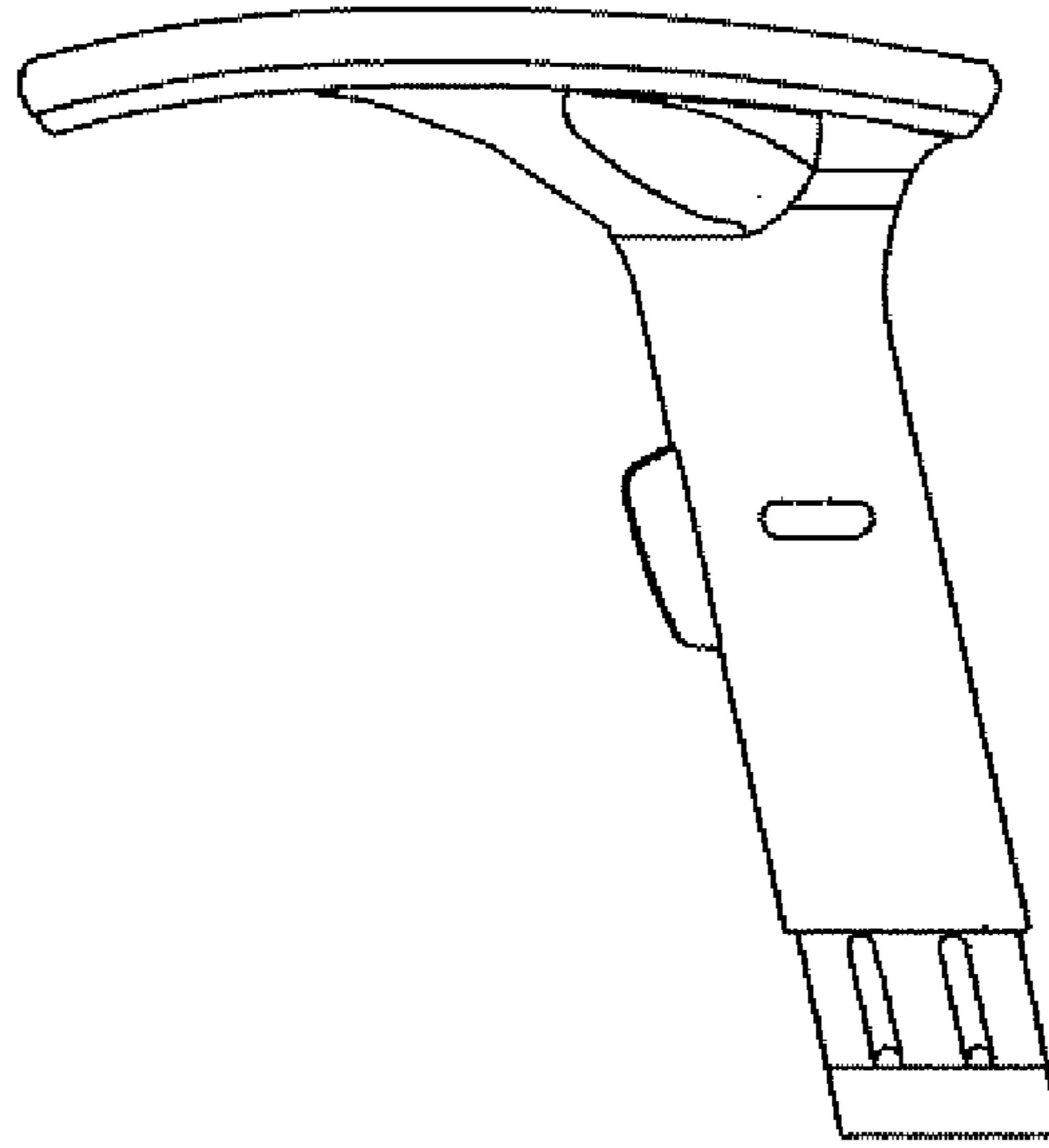


FIG. 6

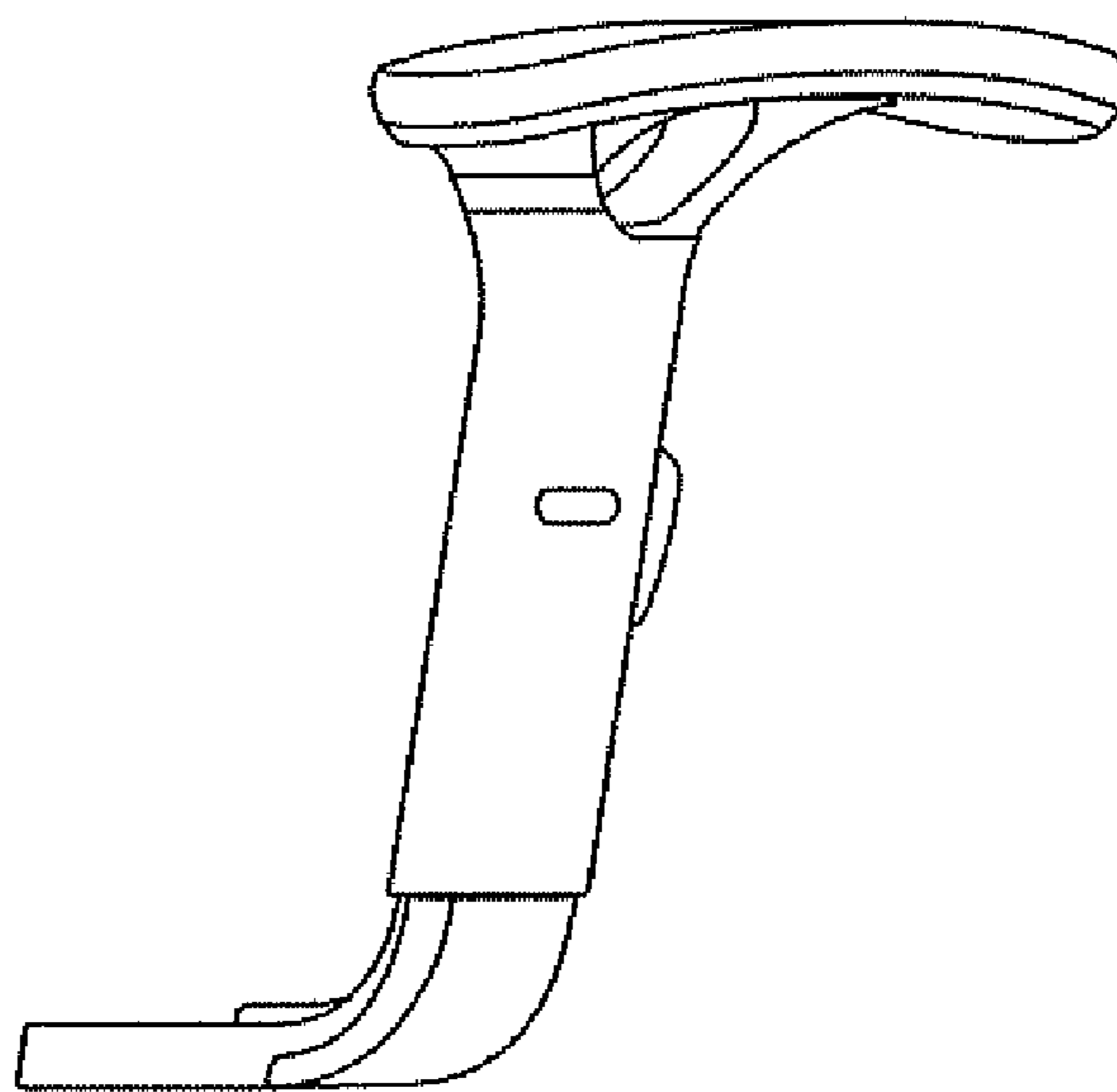


FIG. 7