



US00D557949S

(12) **United States Design Patent** (10) **Patent No.:** **US D557,949 S**
Moorhouse et al. (45) **Date of Patent:** **** Dec. 25, 2007**

(54) **ARMREST**

(75) Inventors: **David Moorhouse**, Long Buckby (GB);
Michael Flemming, Higham Ferrers (GB)

(73) Assignee: **KAB Seating Limited**, Northampton (GB)

(**) Term: **14 Years**

(21) Appl. No.: **29/217,873**

(22) Filed: **Nov. 22, 2004**

(30) **Foreign Application Priority Data**

May 21, 2004 (EM) 000181094

(51) **LOC (8) Cl.** **06-01**

(52) **U.S. Cl.** **D6/501**

(58) **Field of Classification Search** D6/501,
D6/334-336, 356, 368, 379, 380, 491; 248/118,
248/118.1, 118.3; 297/441.2, 411.23, 411.25,
297/411.26

See application file for complete search history.

(56) **References Cited**

U.S. PATENT DOCUMENTS

D313,963 S * 1/1991 Gunnarsson et al. D12/419
5,248,183 A * 9/1993 Gignac et al. 297/188.16
5,791,616 A * 8/1998 Volkmann et al. 248/311.2
5,835,586 A * 11/1998 Skowronski 379/446
D465,678 S * 11/2002 Vo D6/500

D521,281 S * 5/2006 Luebke D6/500
2006/0267994 A1 * 11/2006 Pflieger et al. 345/530

* cited by examiner

Primary Examiner—Robert M. Spear

Assistant Examiner—Katrina A Kile

(74) *Attorney, Agent, or Firm*—Banner & Witcoff, Ltd

(57) **CLAIM**

The ornamental design for an armrest, as shown and described.

DESCRIPTION

FIG. 1 is a perspective view from the front and one side of the armrest;

FIG. 2 is an enlarged perspective view from the front and one side of the armrest;

FIG. 3 is a perspective view from the back and one side of the armrest;

FIG. 4 is a perspective view from the back and the other side of the armrest;

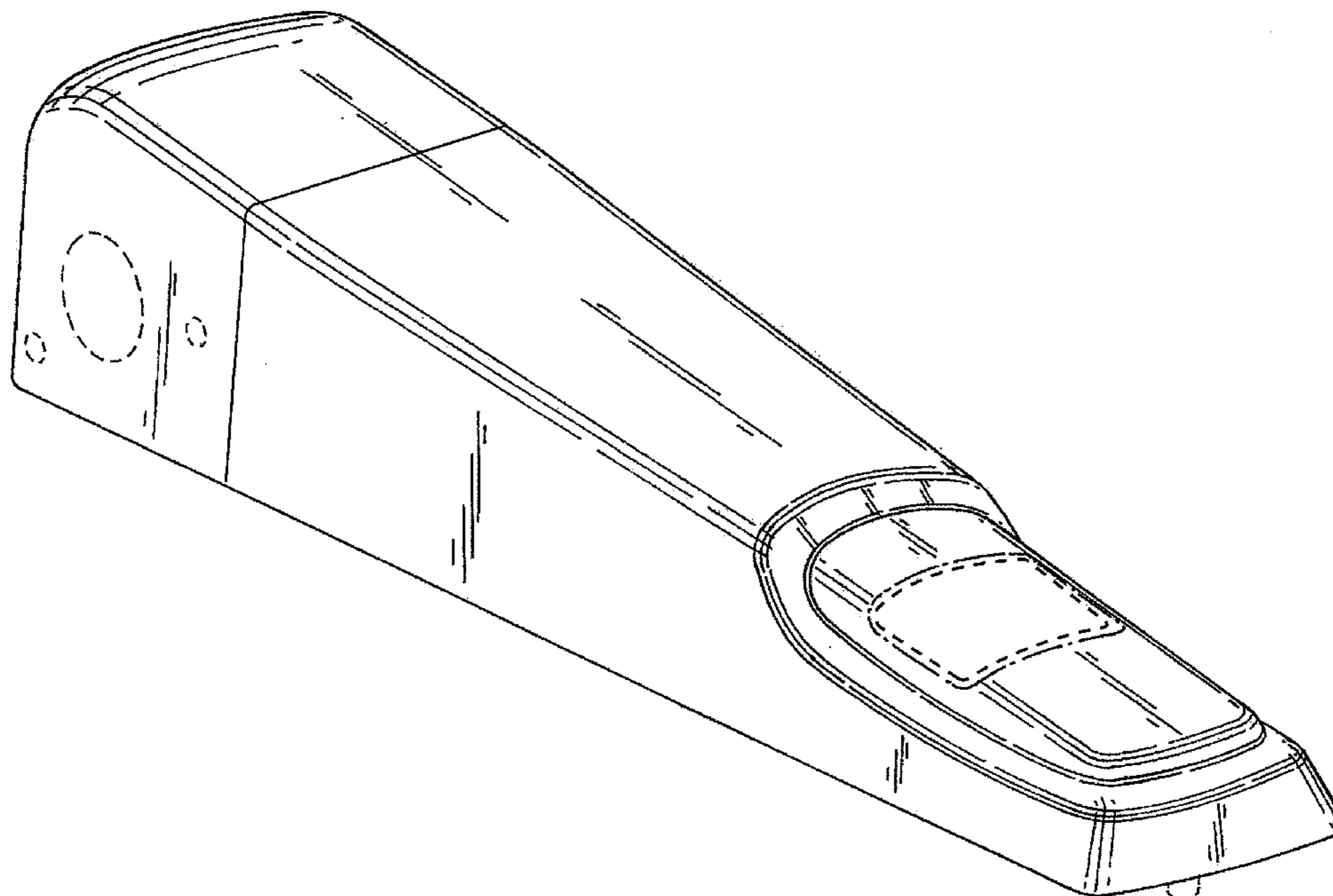
FIG. 5 is a top plan view of the armrest;

FIG. 6 is a side elevation view of the armrest; and,

FIG. 7 is a front elevation view of the armrest.

The broken line showing of the armrest is included for the purpose of illustrating environment and forms no part of the claimed design. The dash-dot lines, which define a boundary of the claimed design, form no part thereof.

1 Claim, 6 Drawing Sheets



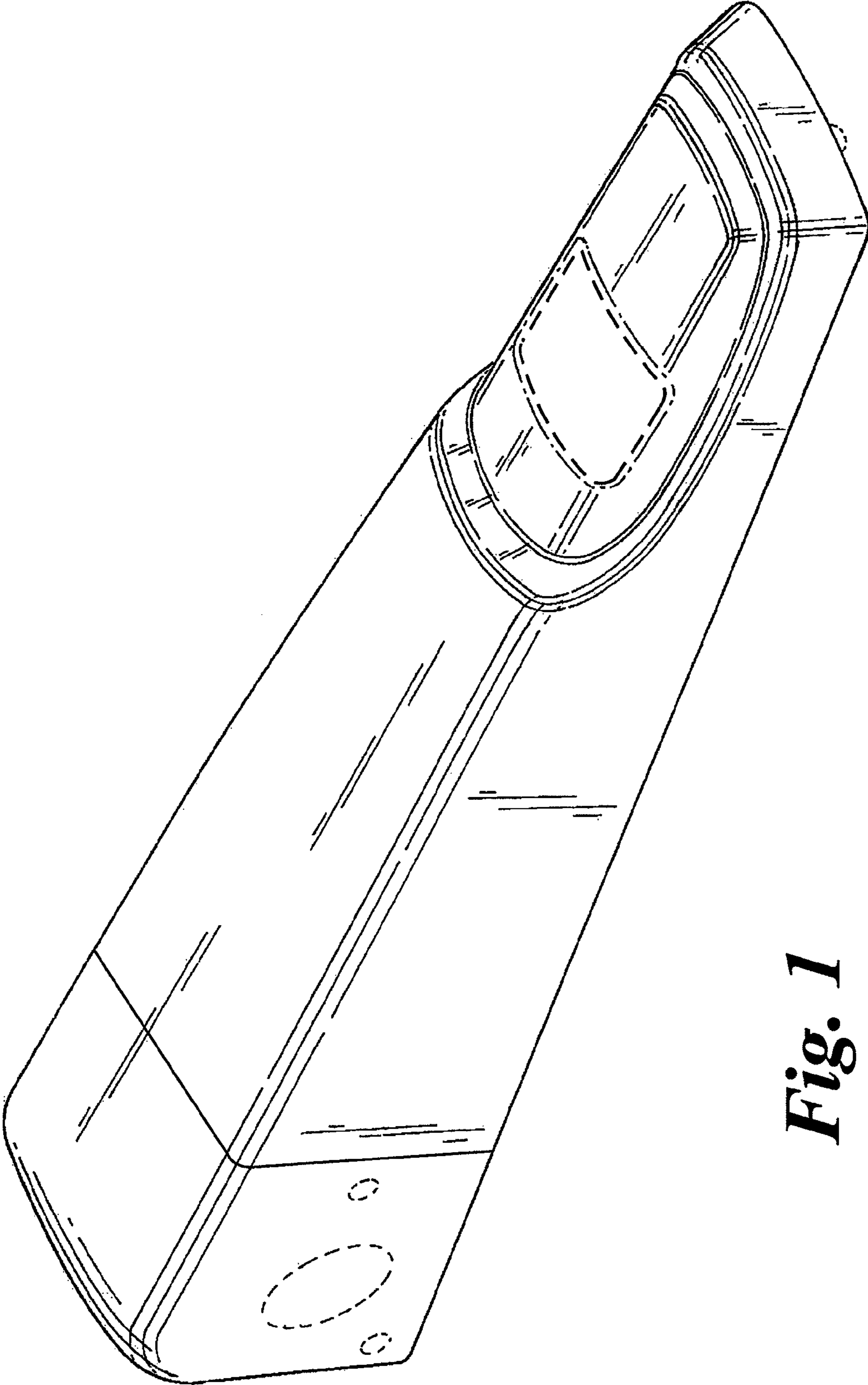


Fig. 1

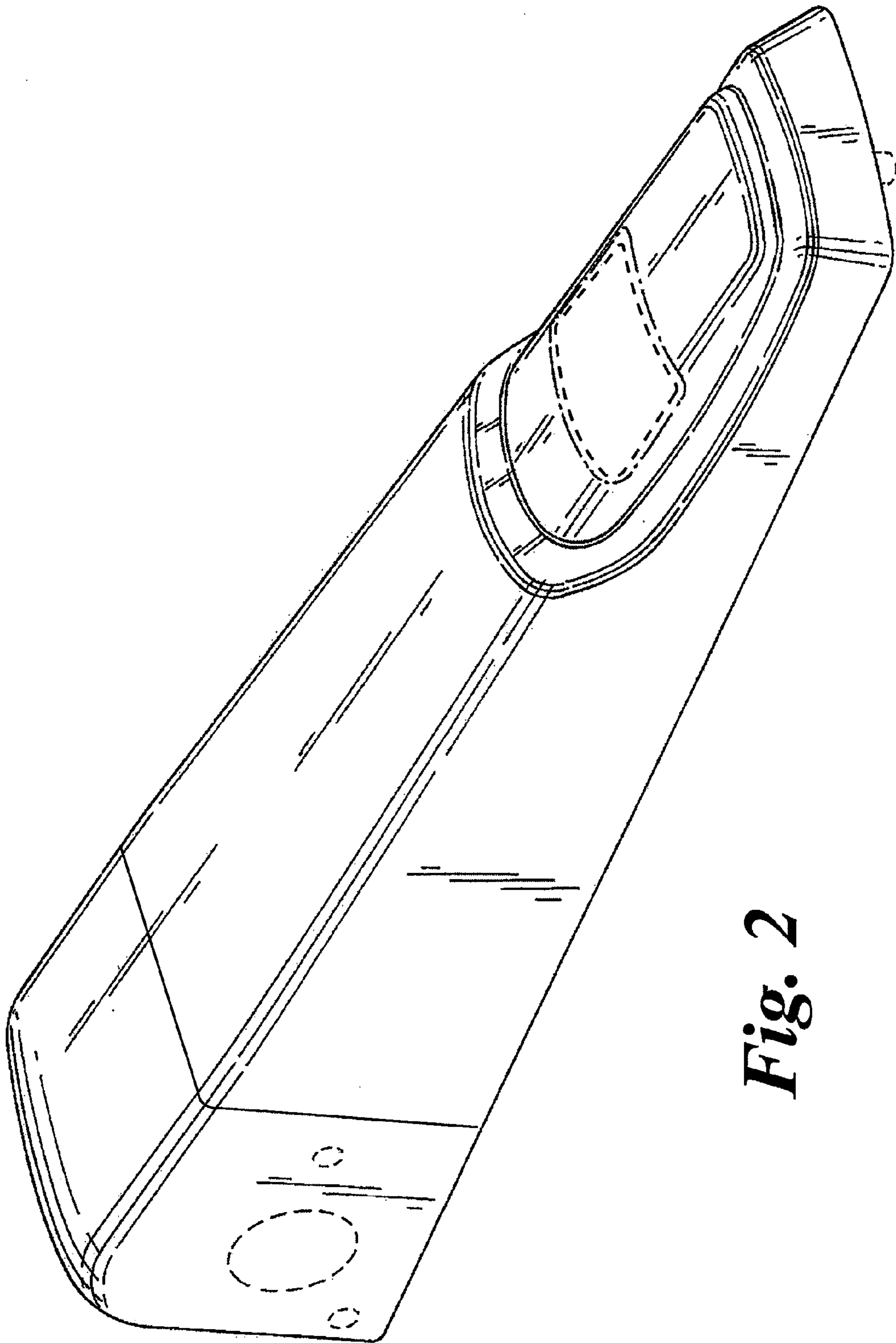


Fig. 2

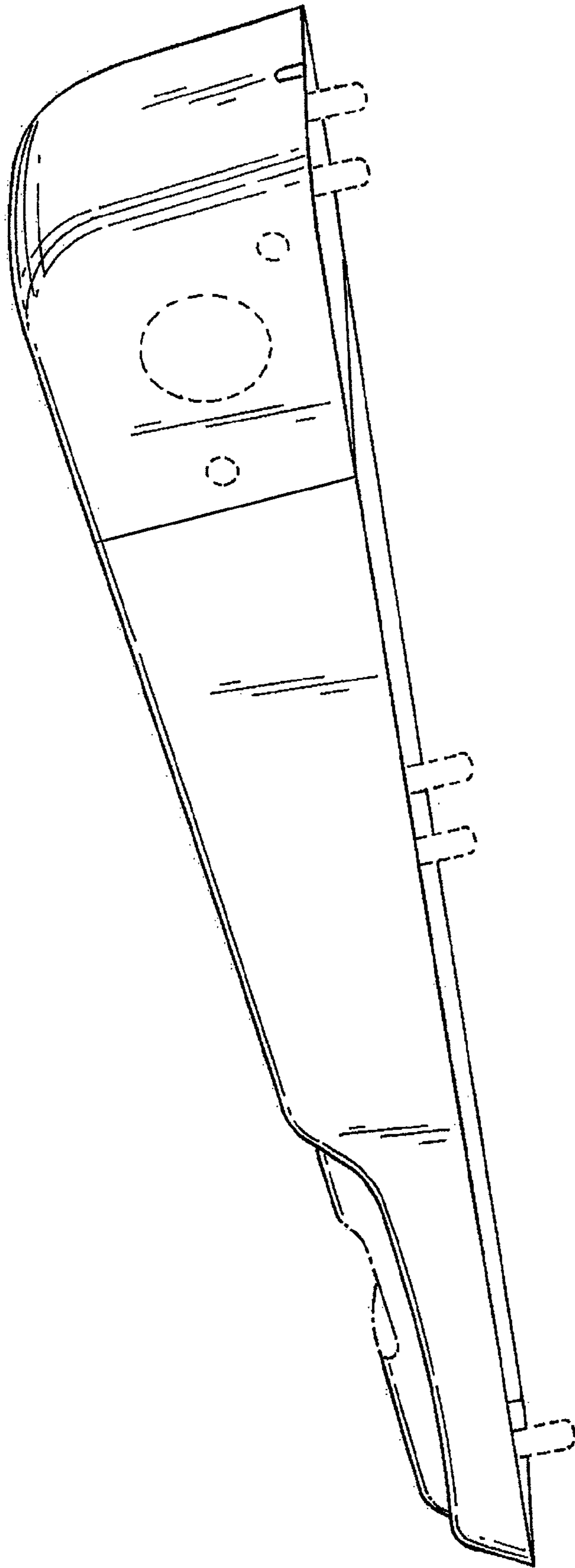


Fig. 3

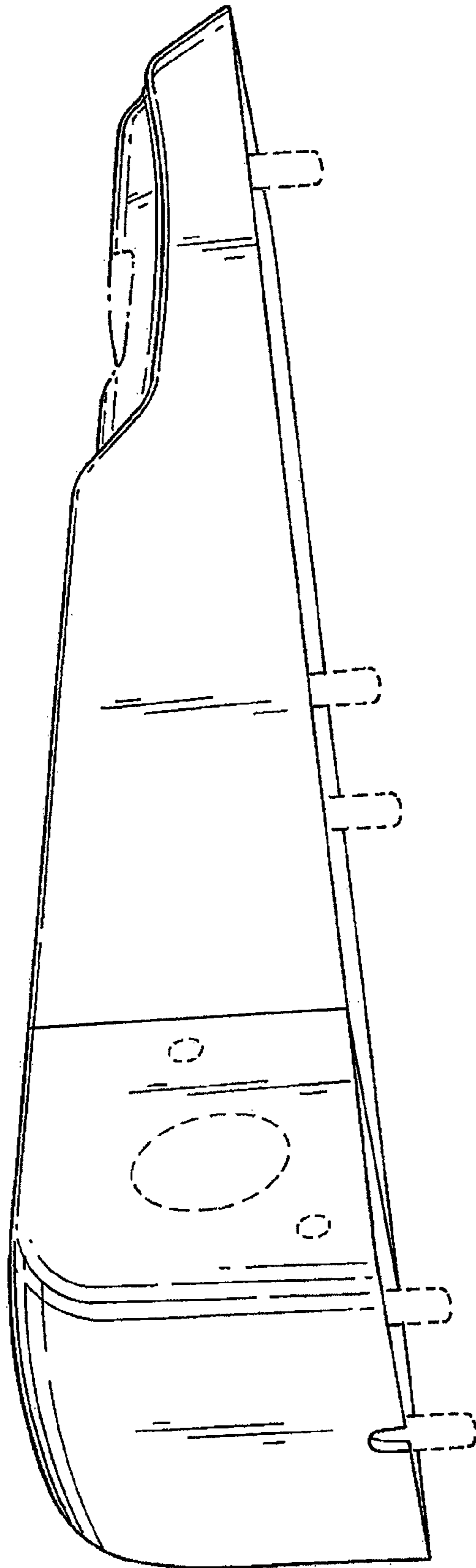


Fig. 4

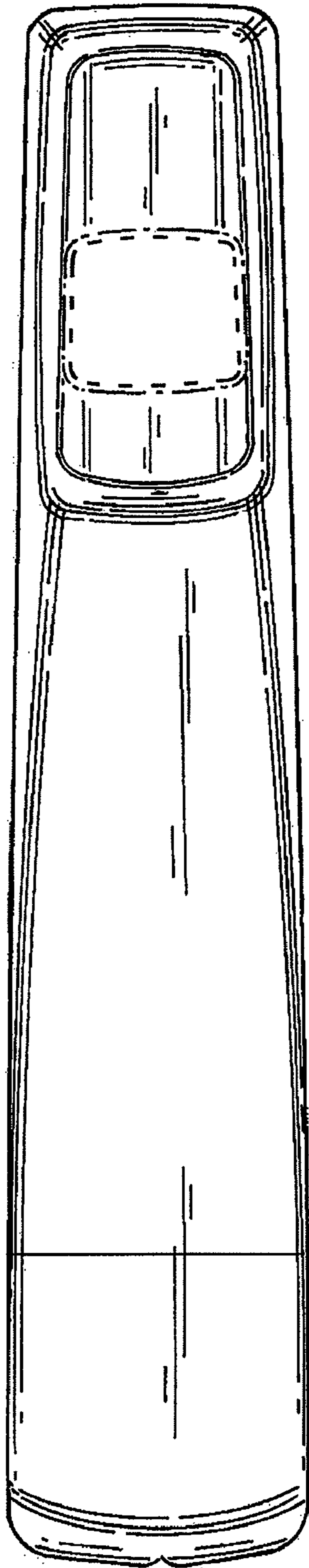


Fig. 5

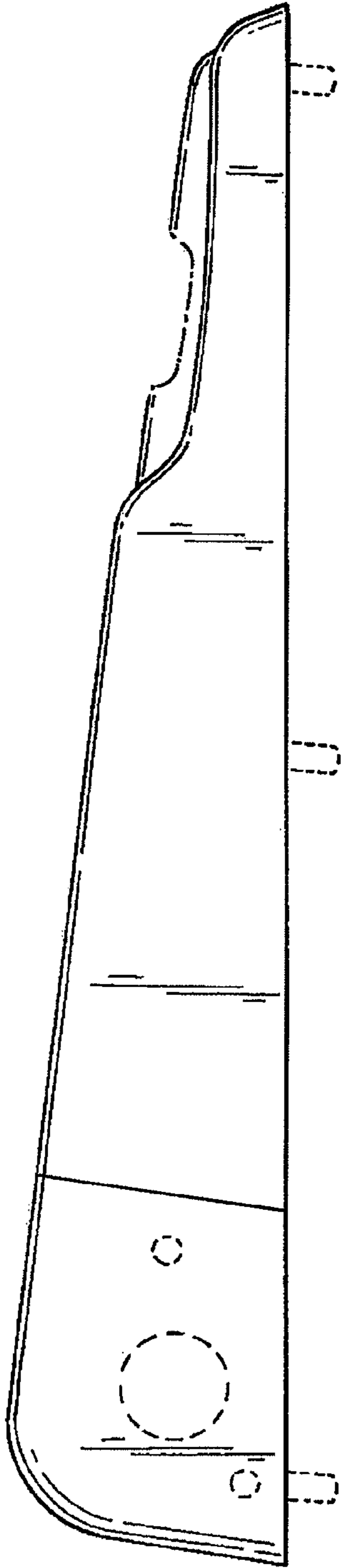


Fig. 6

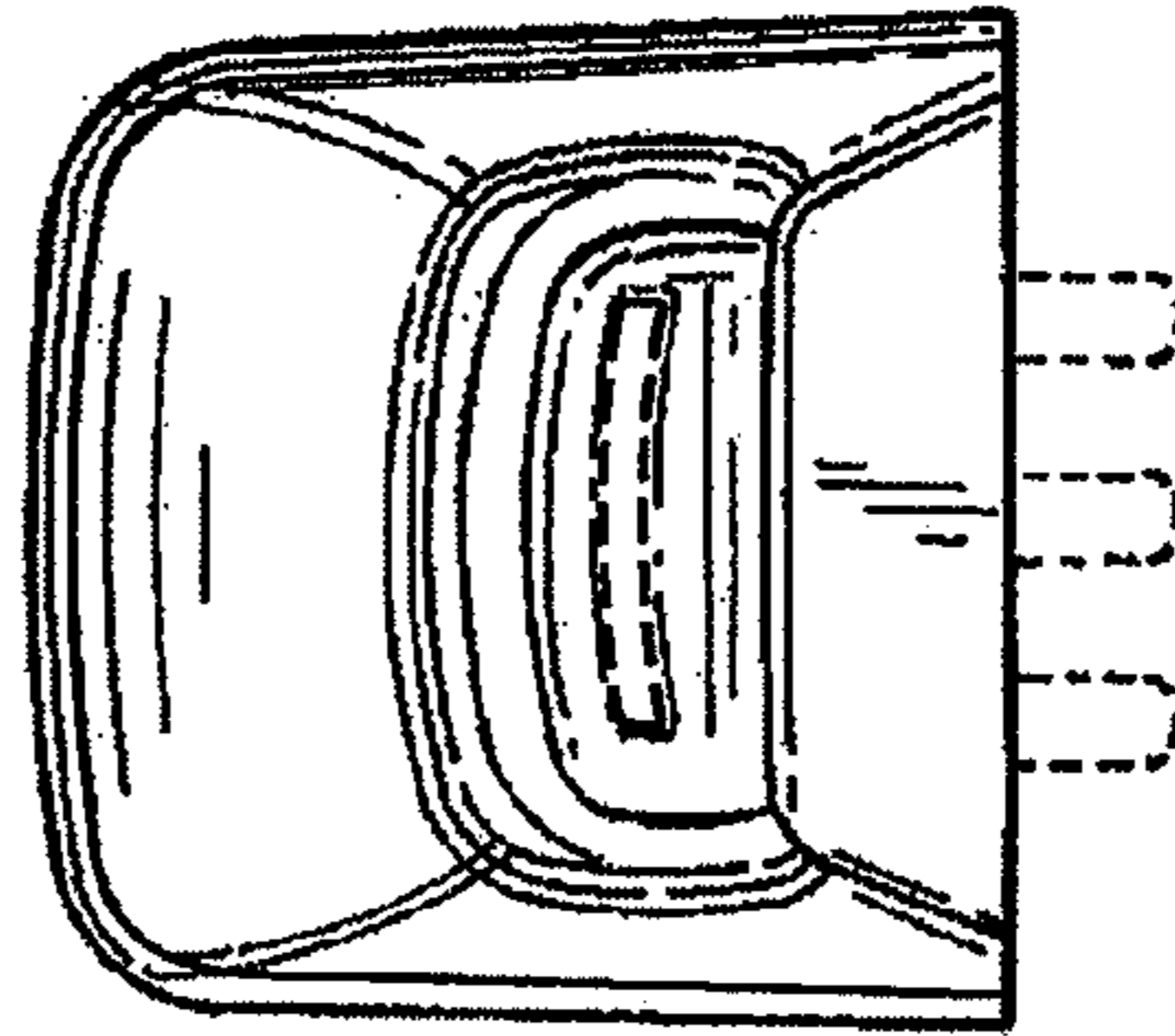


Fig. 7