

US00D557948S

(12) **United States Design Patent** (10) **Patent No.:** **US D557,948 S**
Ng (45) **Date of Patent:** **** Dec. 25, 2007**

(54) **HOOD FOR USE WITH CHAIRS**

(57) **CLAIM**

(75) **Inventor:** **Elwyn Kwang Ling Ng**, Singapore
(SG)

The ornamental design for a hood for use with chairs, as shown and described.

(73) **Assignee:** **OSIM International Ltd.**, Singapore
(SG)

DESCRIPTION

(**) **Term:** **14 Years**

FIG. 1 is a front upright view of the hood;
FIG. 2 is a front recline view of the embodiment shown in FIG. 1;

(21) **Appl. No.:** **29/275,870**

FIG. 3 is a left upright view of the embodiment shown in FIGS. 1-2;

(22) **Filed:** **Jan. 9, 2007**

FIG. 4 is a left recline view of the embodiment shown in FIGS. 1-3;

(51) **LOC (8) Cl.** **06-01**

(52) **U.S. Cl.** **D6/500**

FIG. 5 is a right upright view of the embodiment shown in FIGS. 1-4;

(58) **Field of Classification Search** D6/349-353,
D6/355, 364, 484, 334, 500-502, 381, 369,
D6/376, 495; 297/232-233, 445.1, 446.1,
297/184.1; 5/15.1

FIG. 6 is a right recline view of the embodiment shown in FIGS. 1-5;

See application file for complete search history.

FIG. 7 is a top upright view of the embodiment shown in FIGS. 1-6;

(56) **References Cited**

FIG. 8 is a top recline view of the front of the embodiment shown in FIGS. 1-7;

U.S. PATENT DOCUMENTS

FIG. 9 is a back upright view of the embodiment shown in FIGS. 1-8;

D223,444 S * 4/1972 Glaser D6/335

FIG. 10 is a back recline view of the embodiment shown in FIGS. 1-9;

D314,869 S * 2/1991 Entratter D6/335

FIG. 11 is a bottom upright view of the embodiment shown in FIGS. 1-10;

D317,650 S * 6/1991 Soder D24/202

FIG. 12 is a bottom recline view of the embodiment shown in FIGS. 1-11;

D329,150 S * 9/1992 Ball D6/397

FIG. 13 is a rotated perspective upright front view of the embodiment shown in FIGS. 1-12; and,

D346,070 S * 4/1994 Kither D6/333

FIG. 14 is a rotated perspective upright back view of the embodiment shown in FIGS. 1-13.

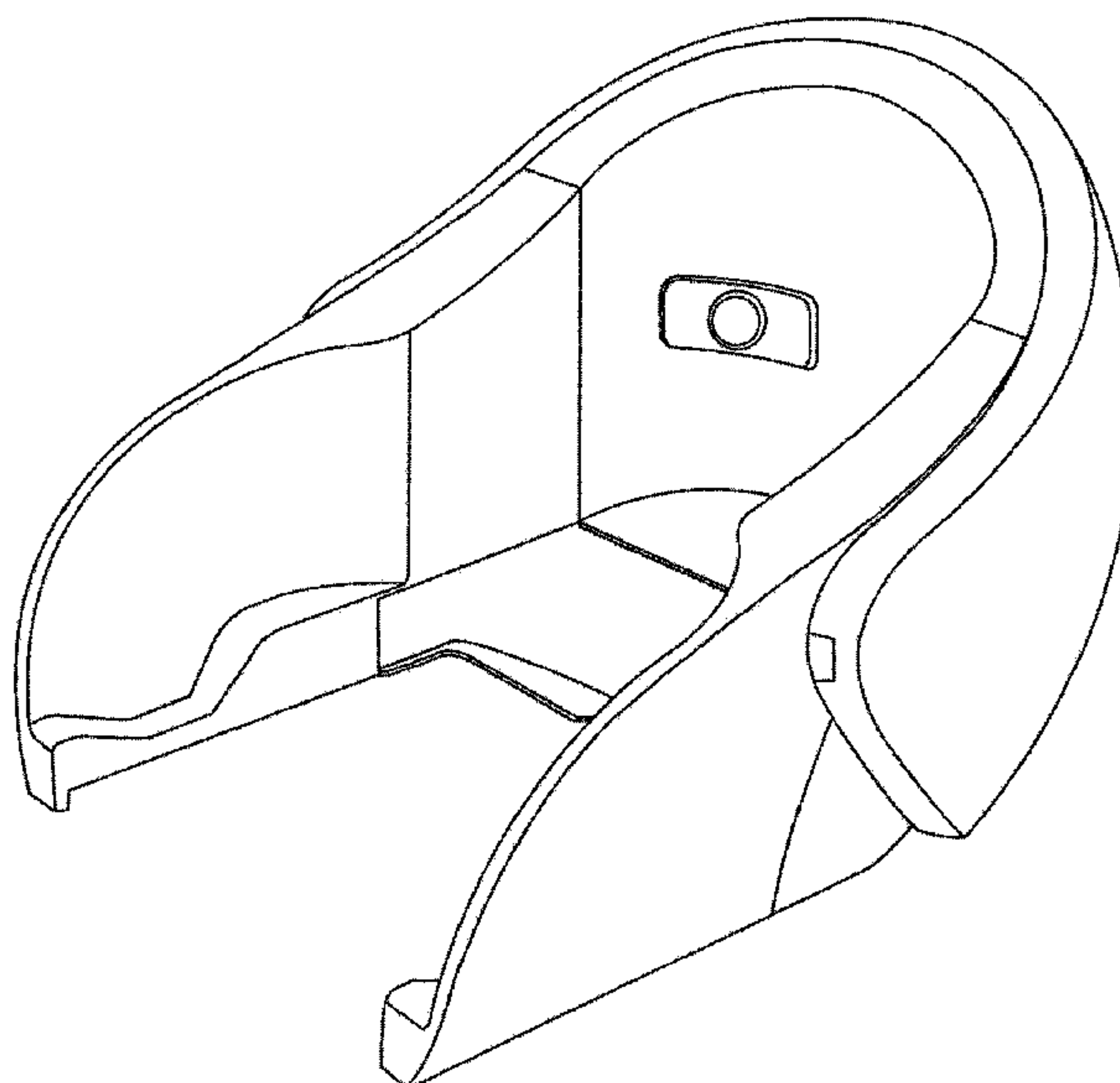
D360,901 S * 8/1995 Slater D21/326

* cited by examiner

Primary Examiner—Sandra Snapp

(74) *Attorney, Agent, or Firm*—Baker & McKenzie LLP

1 Claim, 14 Drawing Sheets



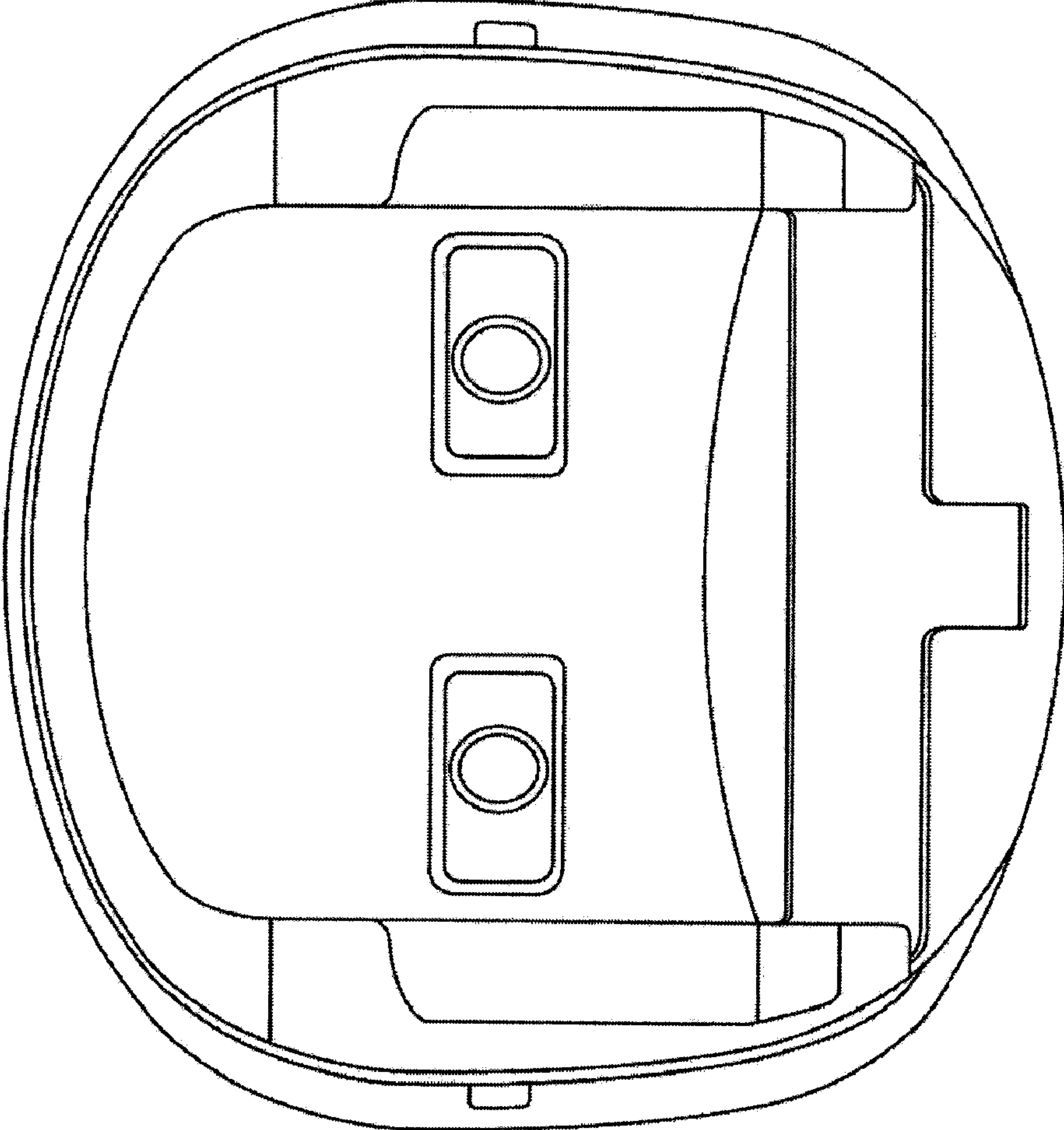


Fig. 1

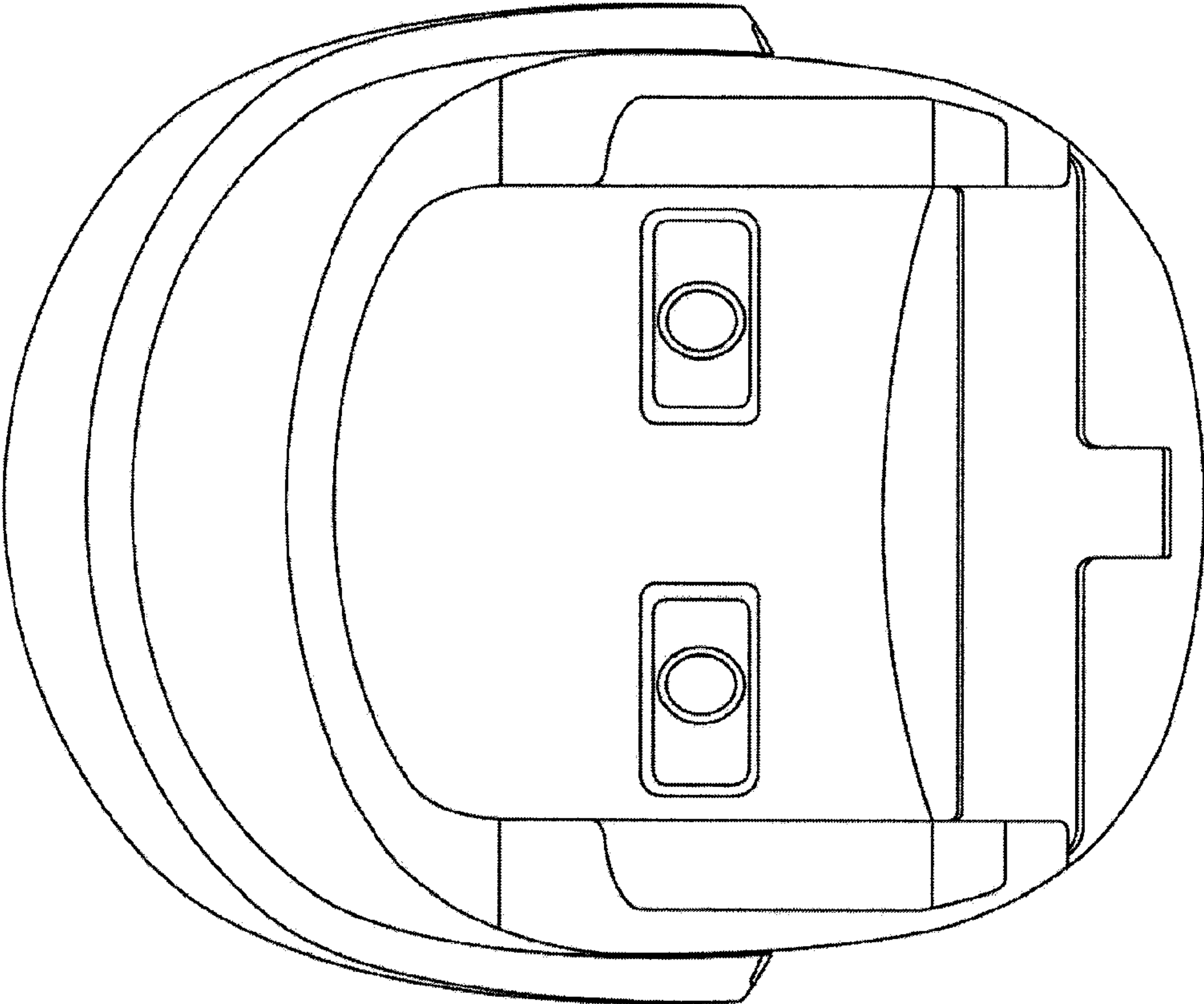


Fig. 2

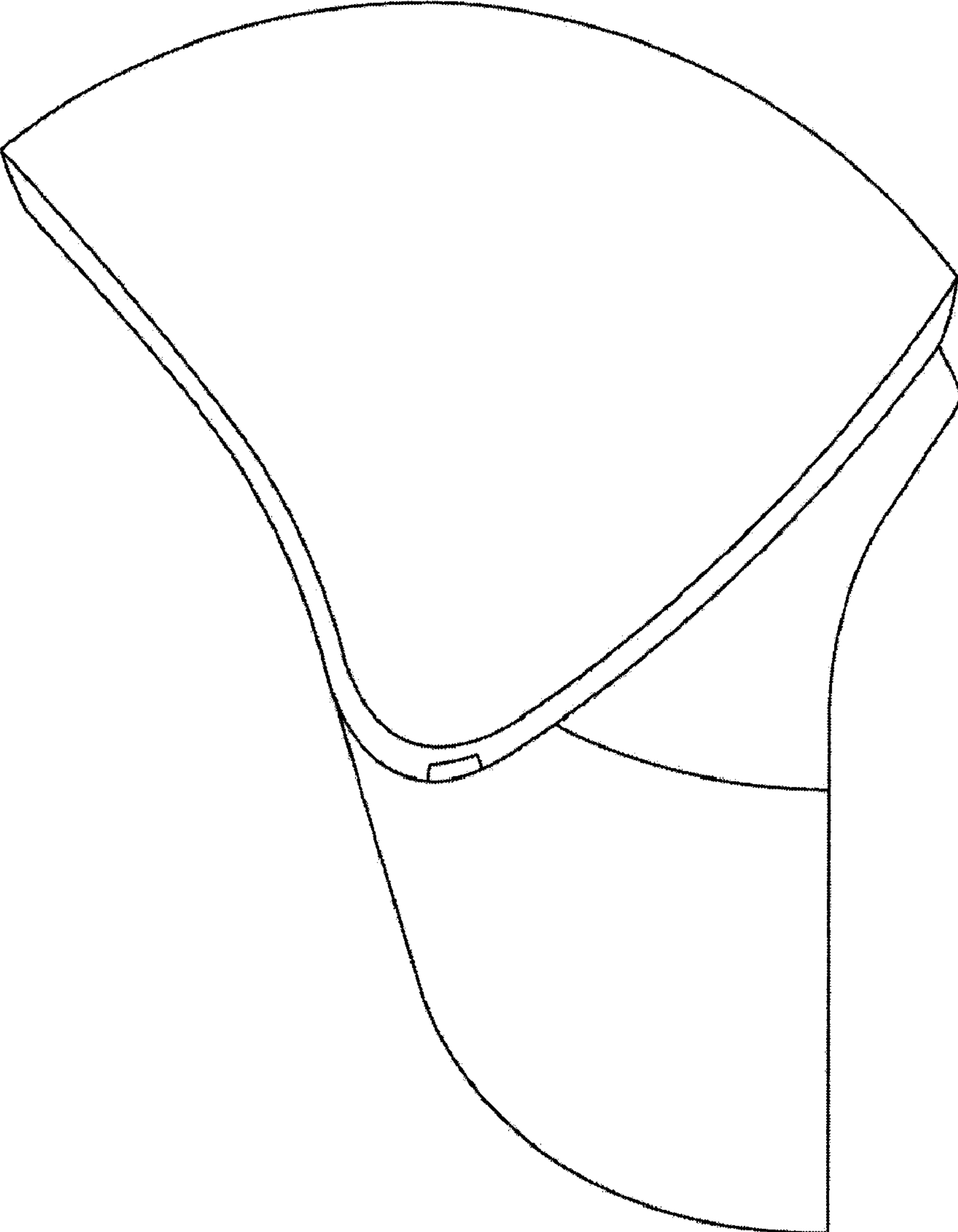


Fig. 3

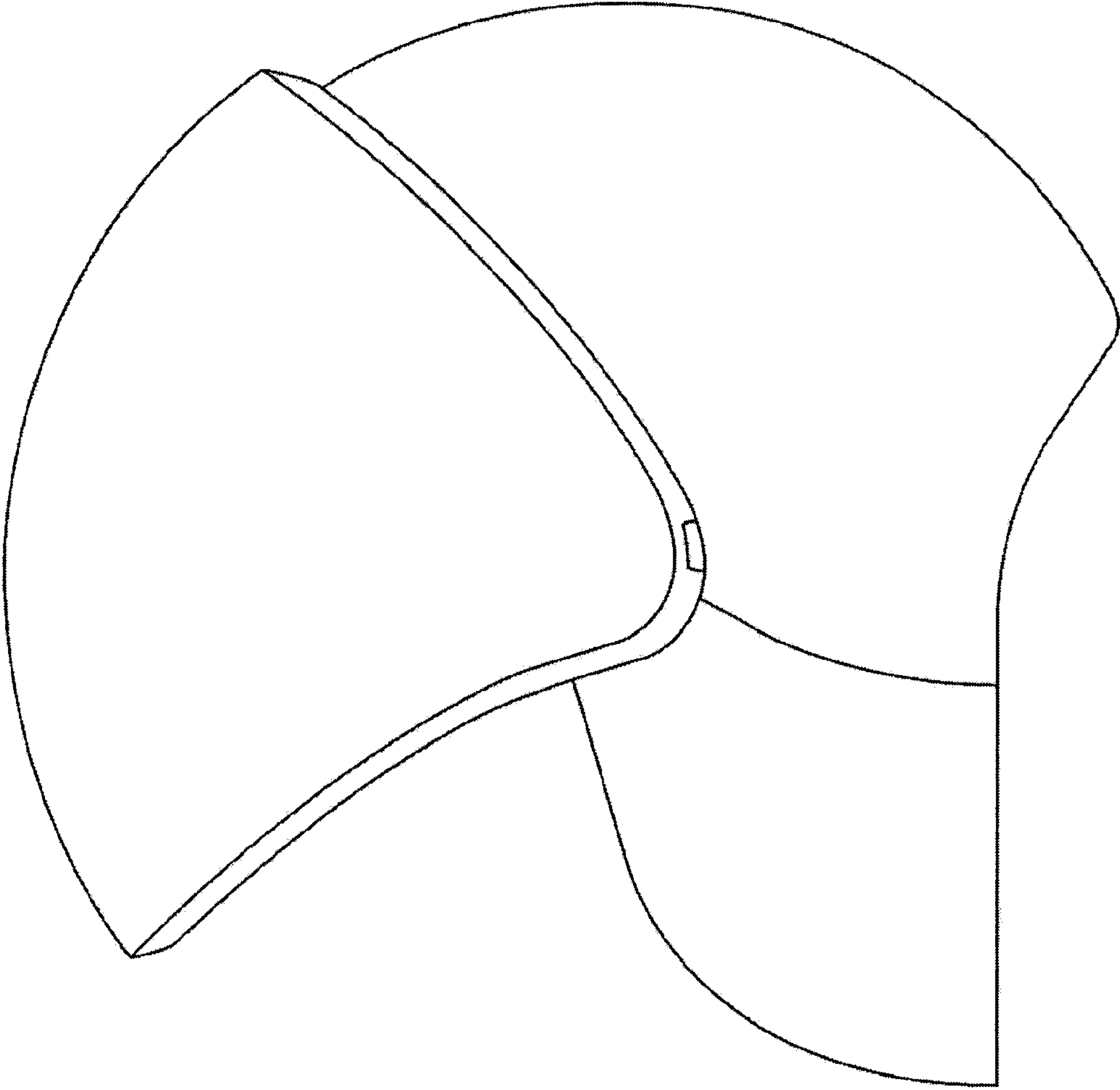


Fig. 4

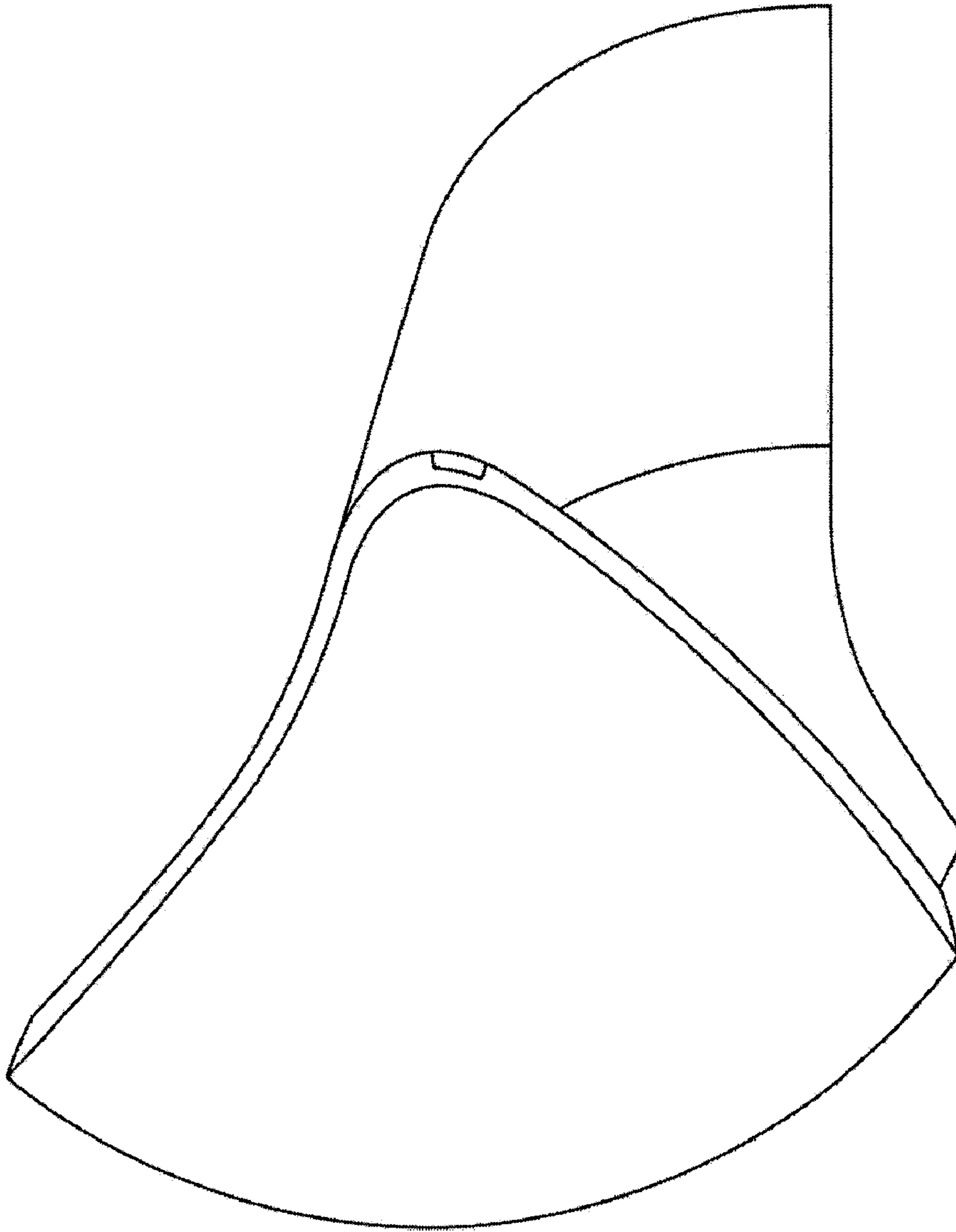


Fig. 5

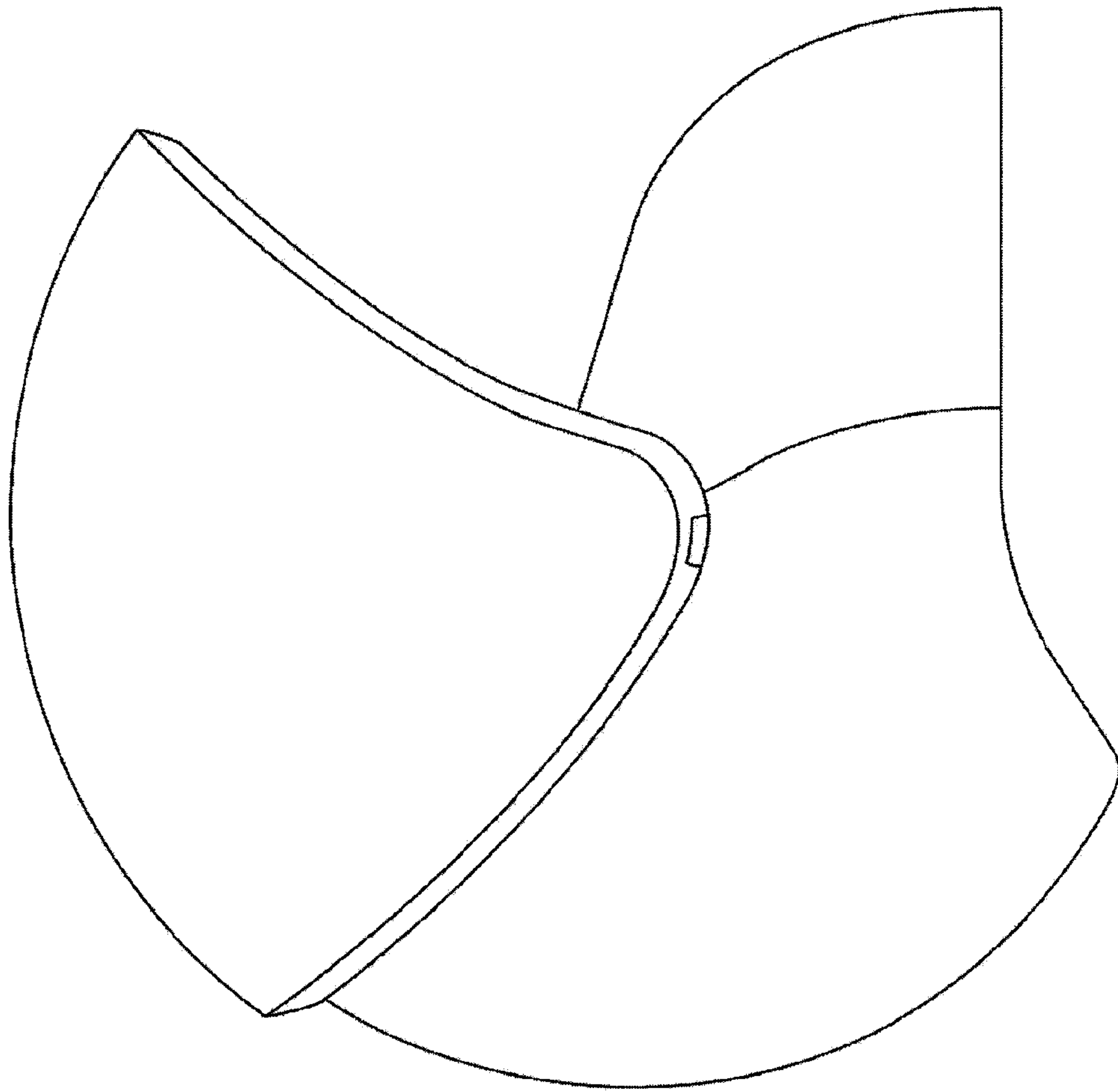


Fig. 6

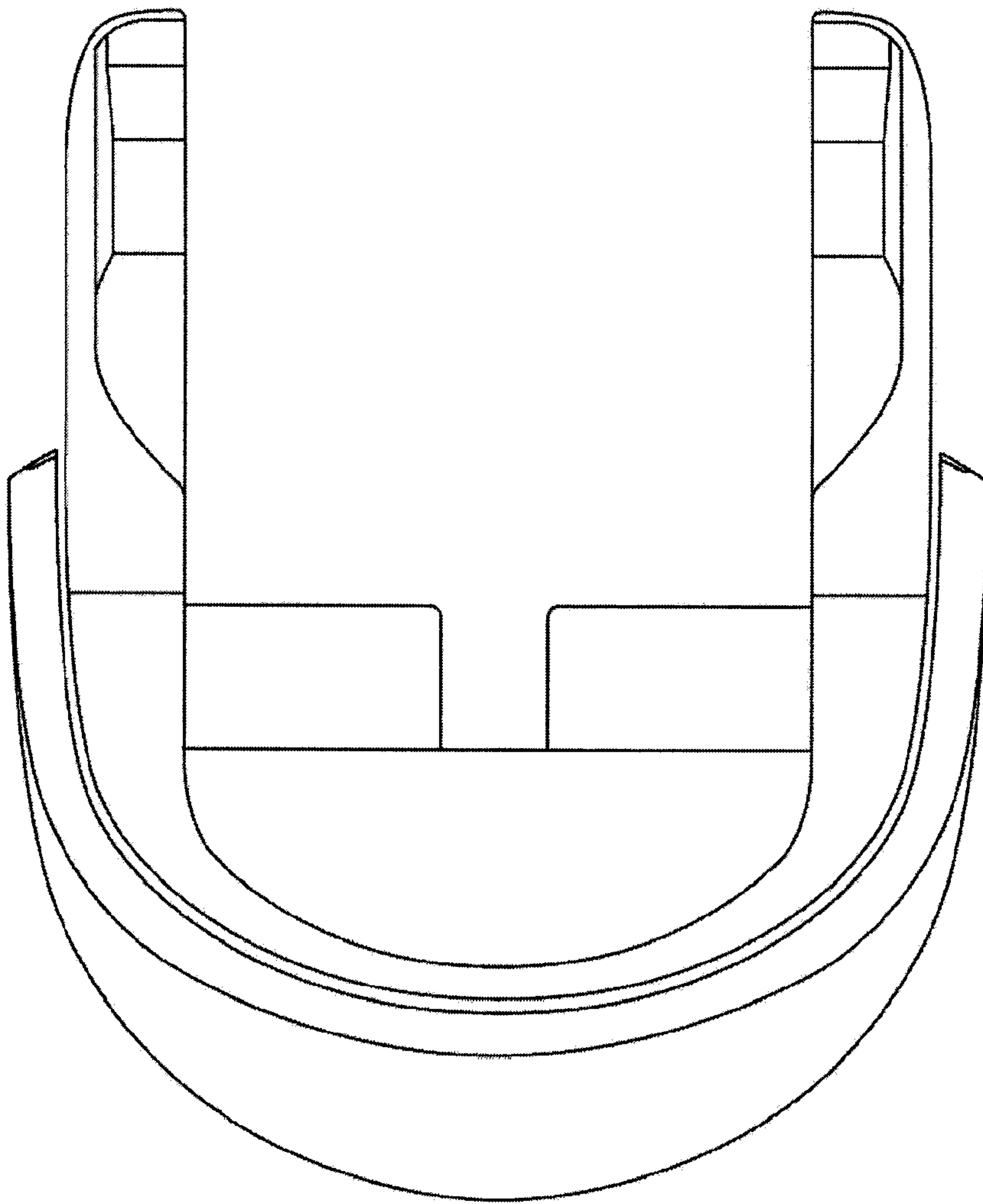


Fig. 7

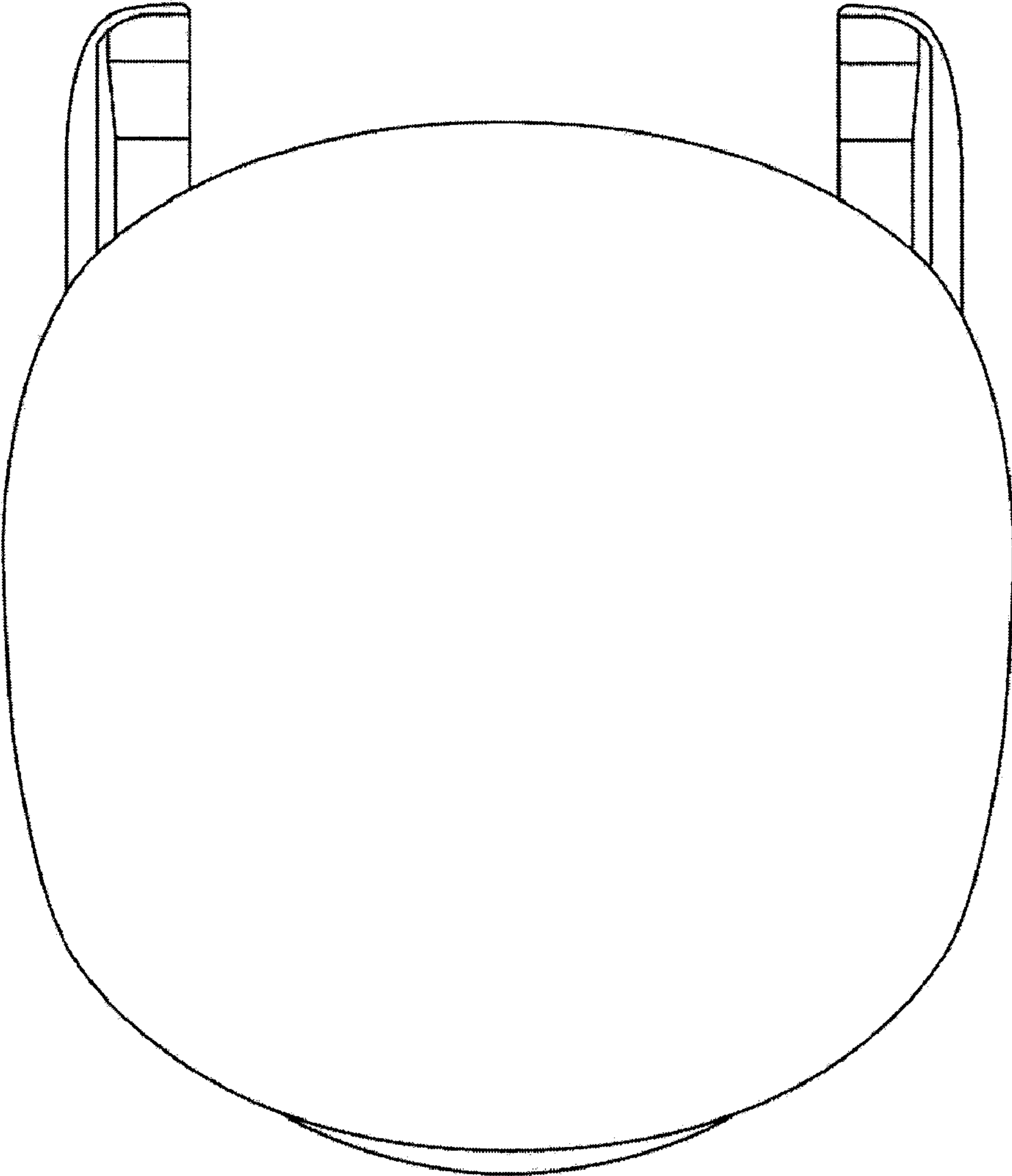


Fig. 8

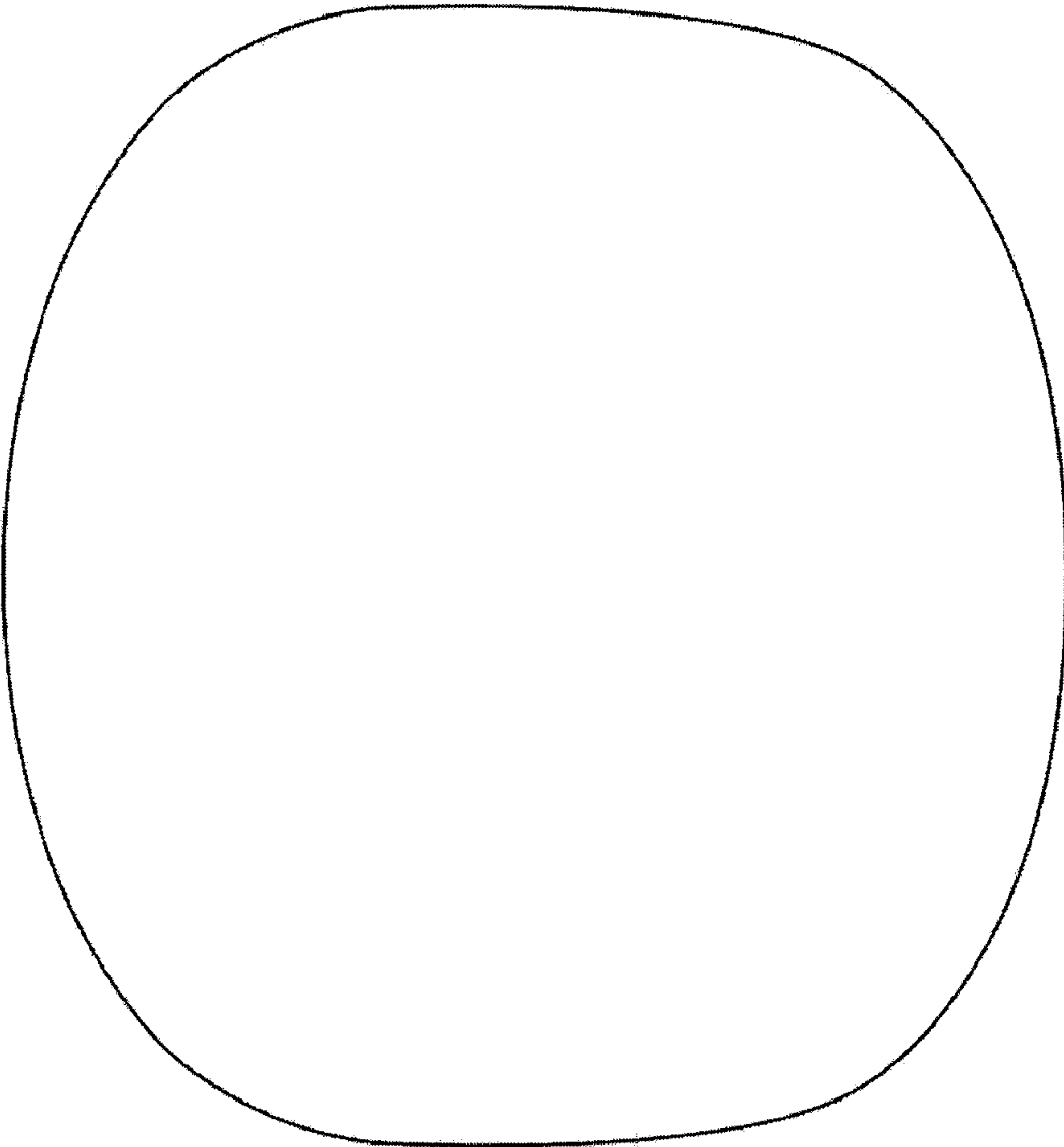


Fig. 9

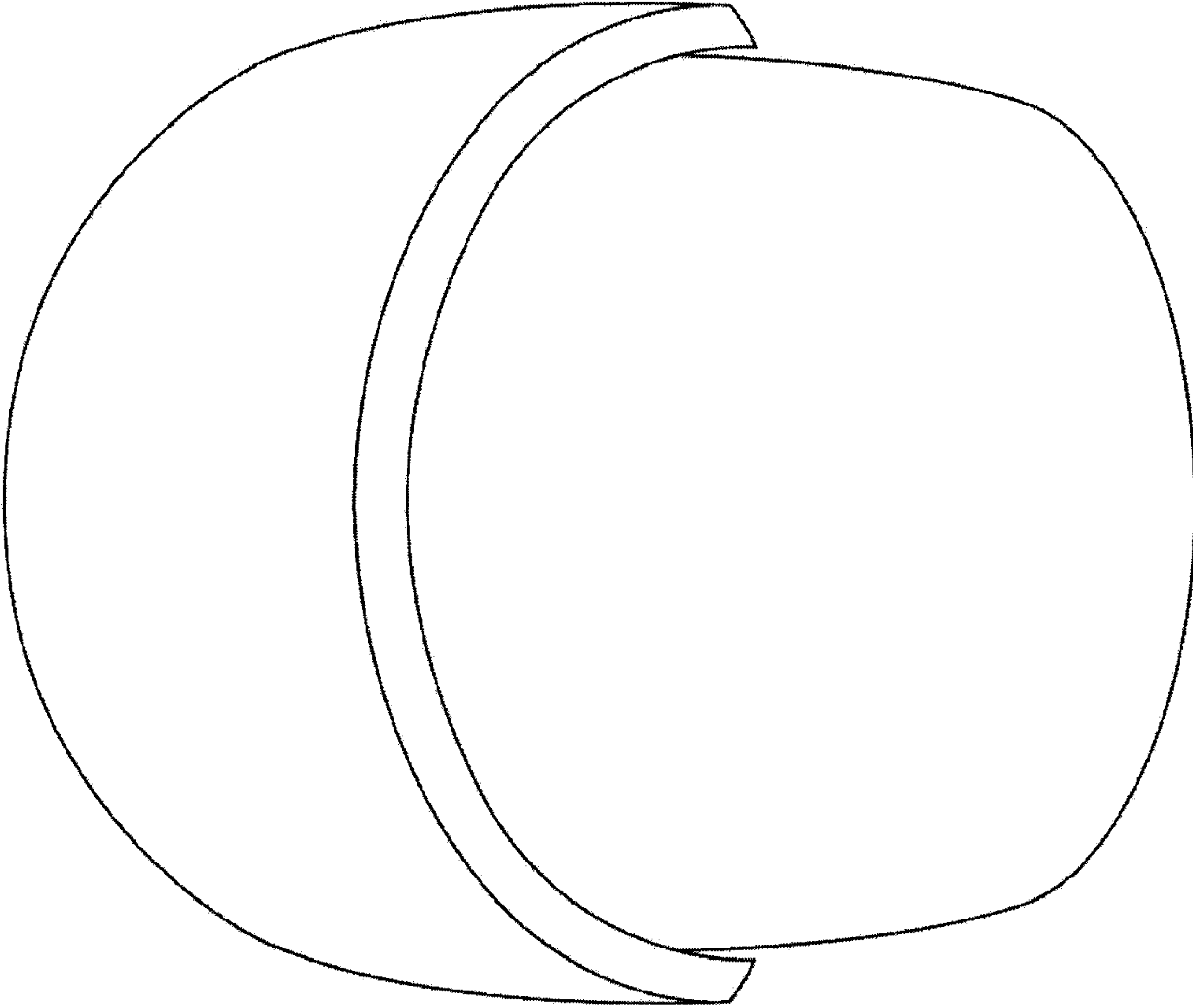


Fig. 10

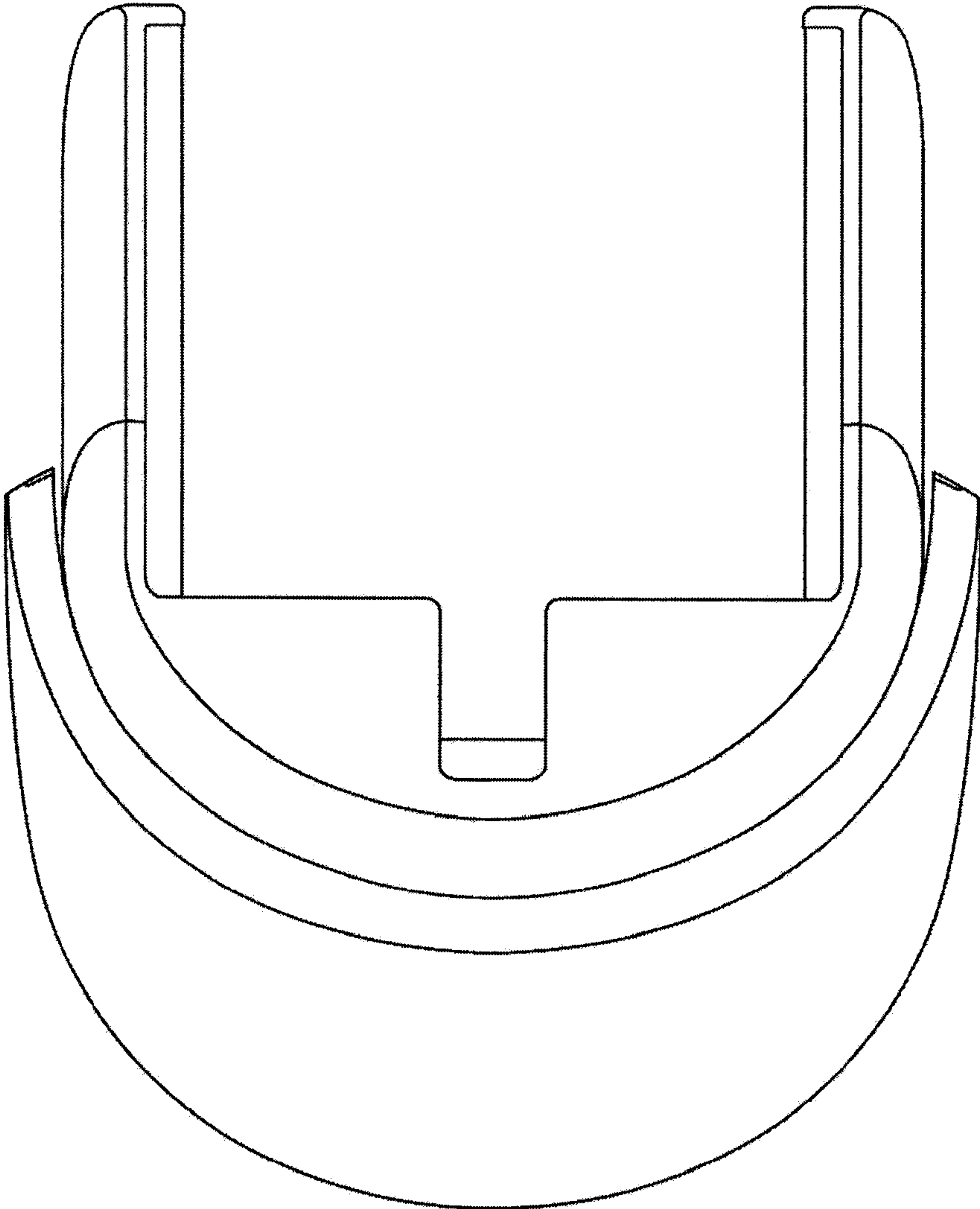


Fig. 11

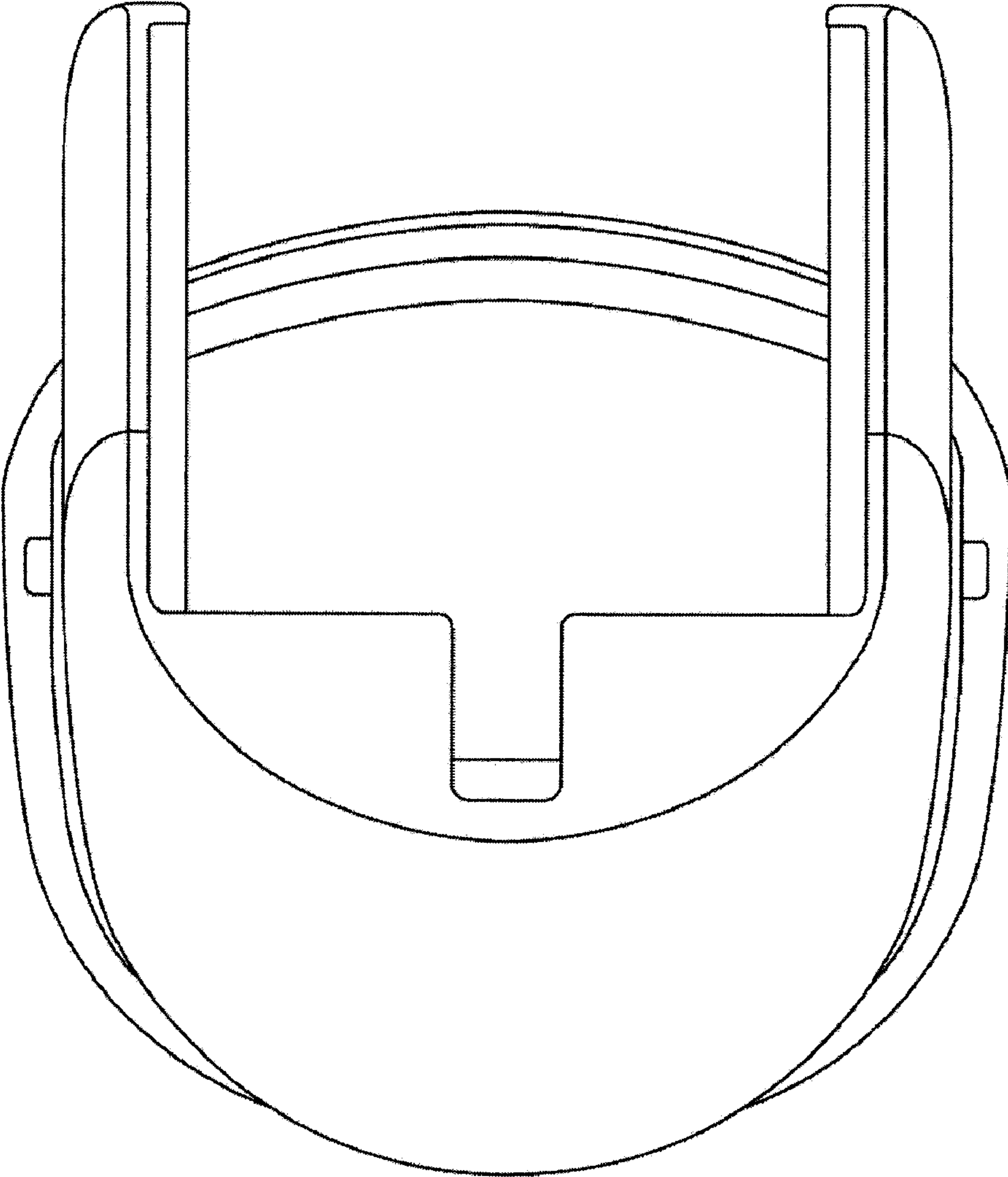


Fig. 12

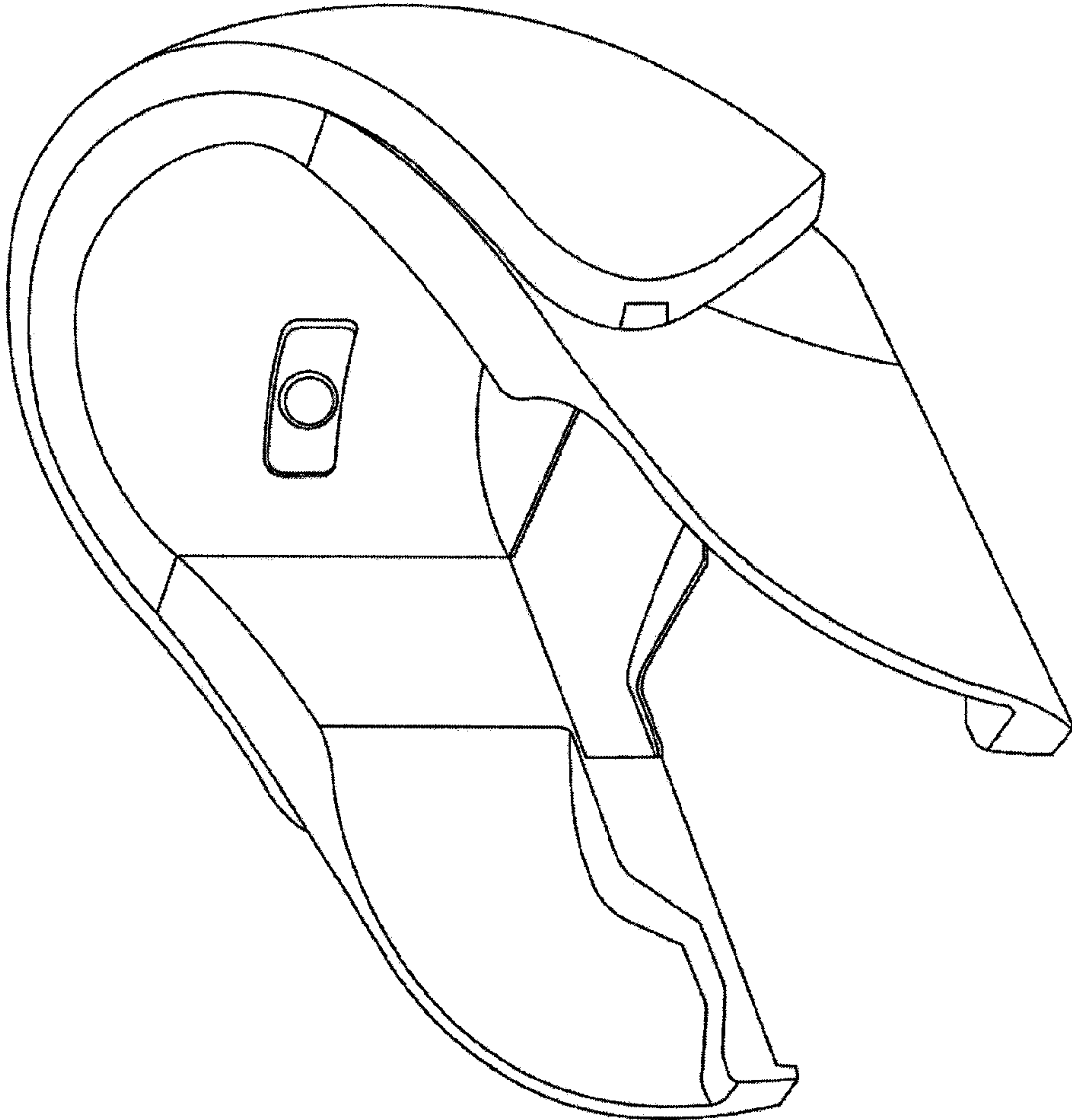


Fig. 13

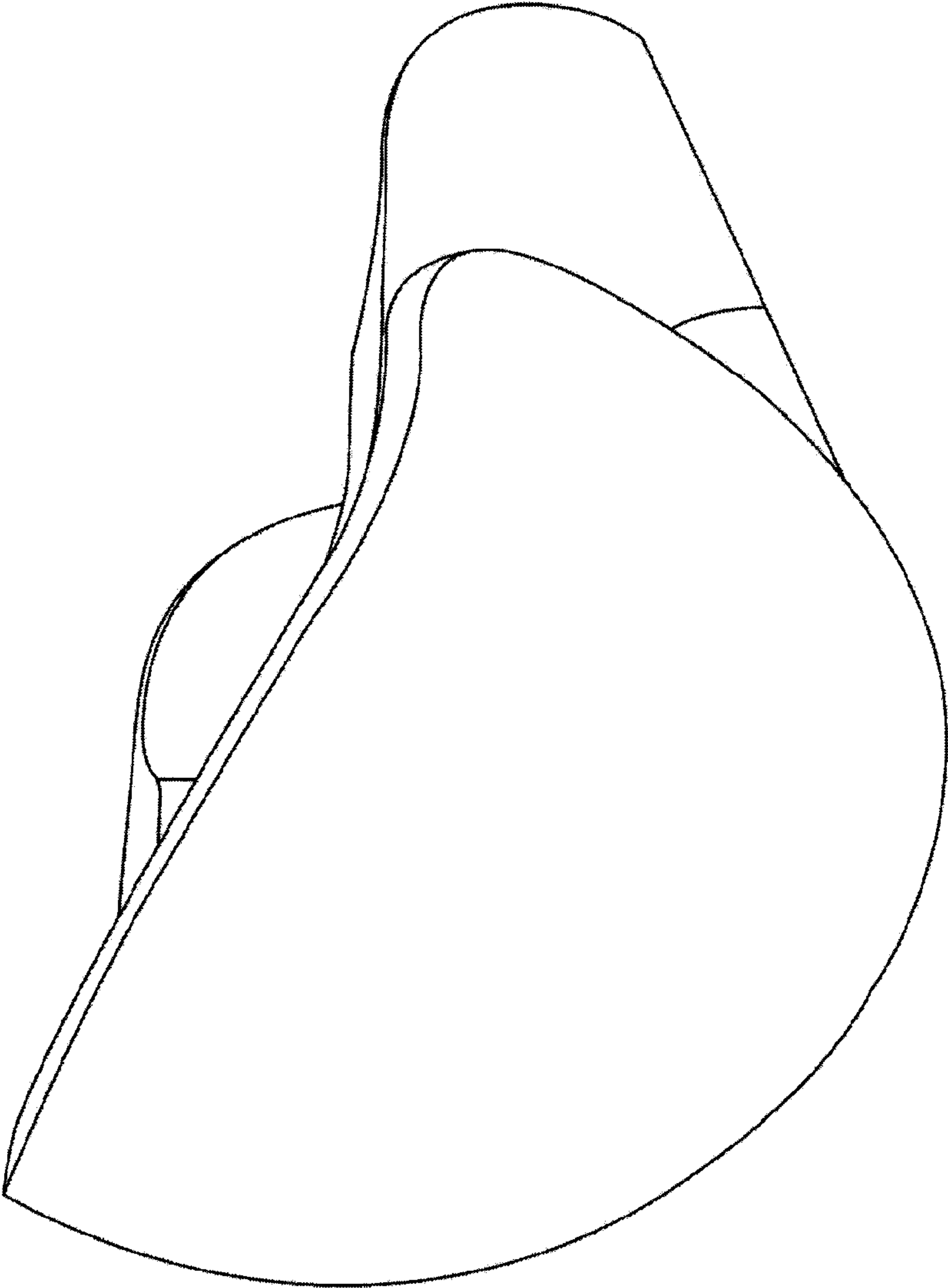


Fig. 14