



US00D557946S

(12) **United States Design Patent**
Matern et al.

(10) **Patent No.:** **US D557,946 S**

(45) **Date of Patent:** **** Dec. 25, 2007**

(54) **CHAIR CONTROL**

(75) Inventors: **Gerard J. Matern**, Waterloo (CA);
Robert W. Doerner, Waterloo (CA)

(73) Assignee: **Leggett & Platt Canada Co.**,
Waterloo, Ontario (CA)

(**) Term: **14 Years**

(21) Appl. No.: **29/228,783**

(22) Filed: **Apr. 28, 2005**

(51) **LOC (8) Cl.** **06-01**

(52) **U.S. Cl.** **D6/500**

(58) **Field of Classification Search** D6/500,
D6/334, 364, 365-367, 501, 502; 297/334.18,
297/334.19, 334.21; 248/161, 578

See application file for complete search history.

(56) **References Cited**

U.S. PATENT DOCUMENTS

D247,943 S	5/1978	Doerner	
D285,633 S *	9/1986	Doerner	D6/500
D289,591 S *	5/1987	Groseth	D6/500
D290,073 S *	6/1987	Doerner	D6/500
D292,459 S *	10/1987	Doerner	D6/500
D432,338 S	10/2000	Matern	
D450,957 S *	11/2001	Asbjørnsen	D6/500
D461,074 S *	8/2002	Matern	D6/500
D461,346 S *	8/2002	Matern	D6/500
D464,831 S *	10/2002	Patton	D6/500
D465,678 S	11/2002	Vo	
D468,940 S	1/2003	Chen	
D472,081 S *	3/2003	Chen	D6/500
D473,737 S *	4/2003	Klaesener et al.	D6/500

D479,927 S *	9/2003	Hobb	D6/500
6,619,740 B2	9/2003	Beggs		
6,692,077 B1	2/2004	Beggs et al.		
2002/0163242 A1	11/2002	Beggs		
2003/0178876 A1	9/2003	Klein		
2003/0184144 A1	10/2003	Matern et al.		
2004/0227387 A1 *	11/2004	Matern et al.	297/344.19

* cited by examiner

Primary Examiner—Robert M. Spear

Assistant Examiner—Katrina A. Kile

(74) *Attorney, Agent, or Firm*—Shook, Hardy & Bacon,
L.L.P.

(57) **CLAIM**

The ornamental design for a chair control, as shown and described.

DESCRIPTION

FIG. 1. is a bottom perspective view of a chair control showing our new design;

FIG. 2 is a top perspective view thereof;

FIG. 3 is a right side view thereof;

FIG. 4 is a rear view thereof;

FIG. 5 is a left side view thereof;

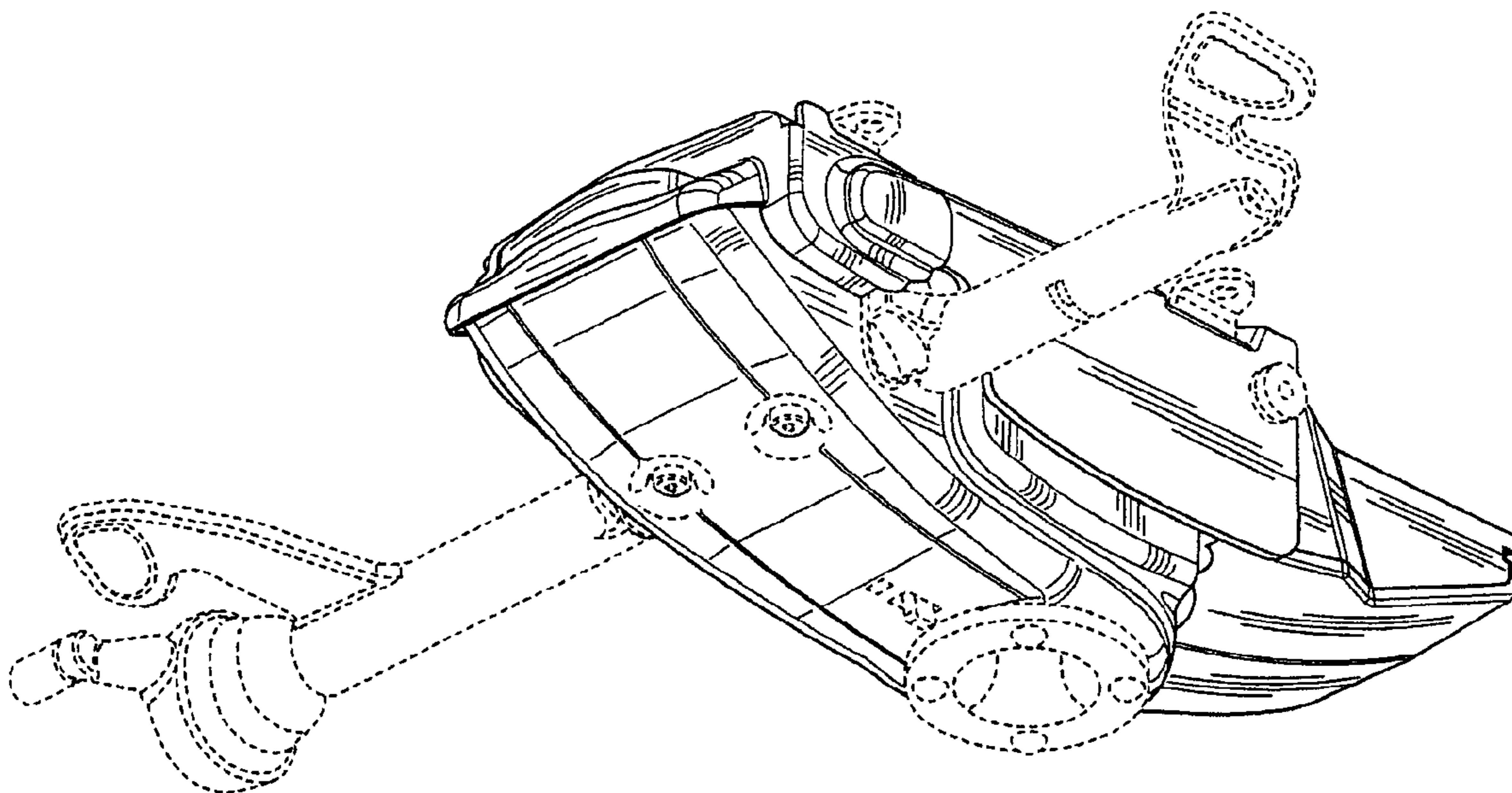
FIG. 6 is a front view thereof;

FIG. 7 is a top view thereof; and,

FIG. 8 is a bottom view thereof.

The broken lines are for illustrative purposes only and form no part of the claimed design.

1 Claim, 6 Drawing Sheets



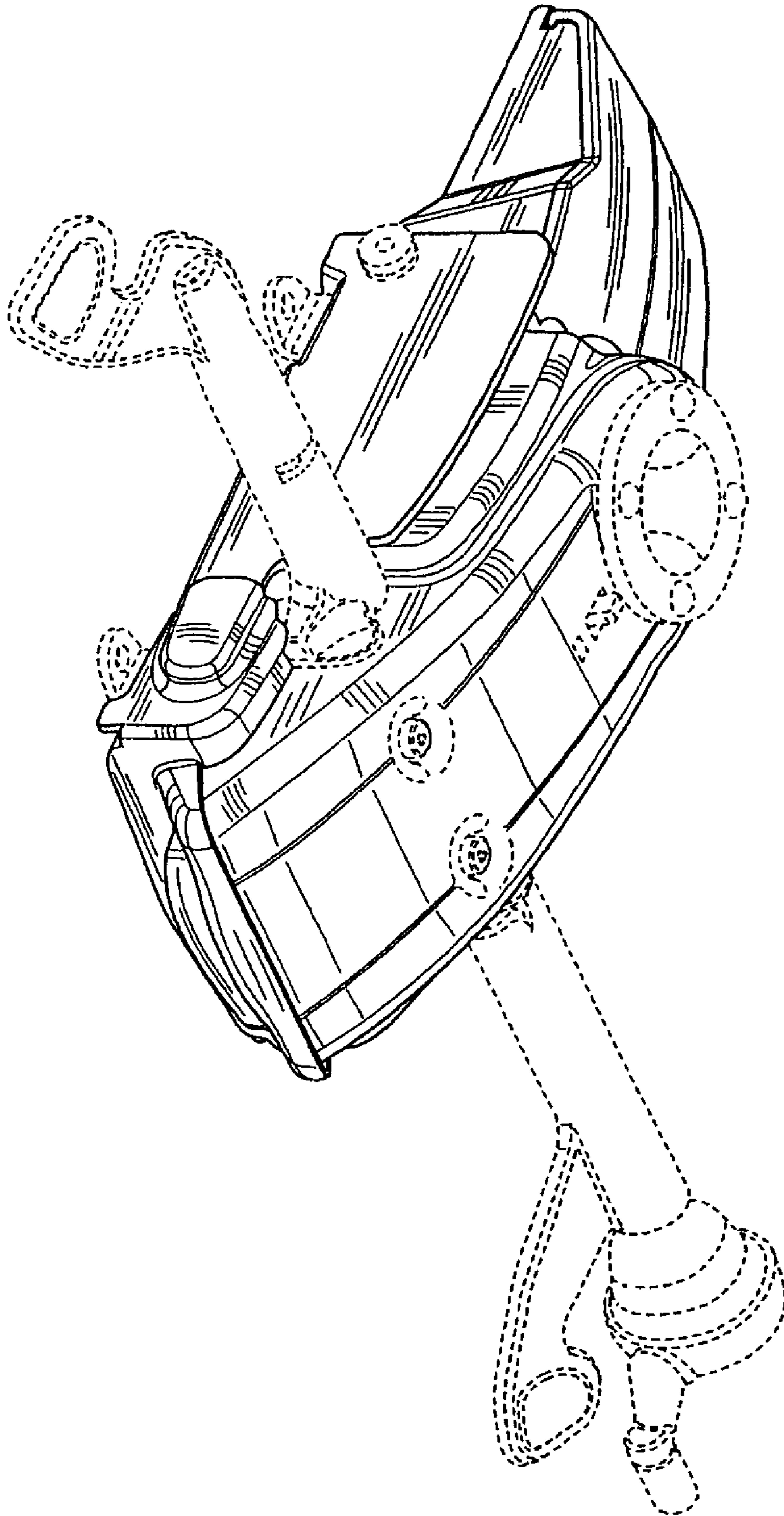


FIG. 1

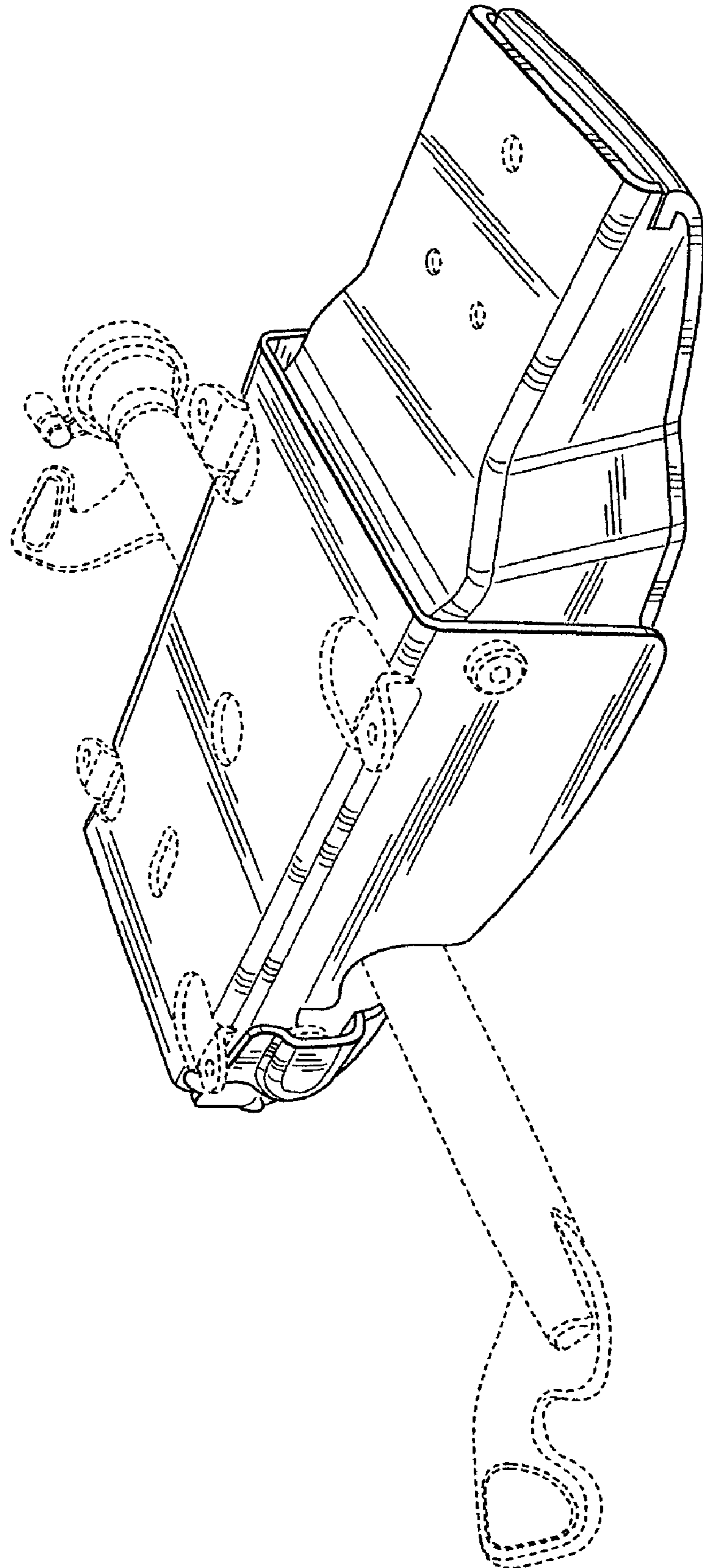


FIG. 2

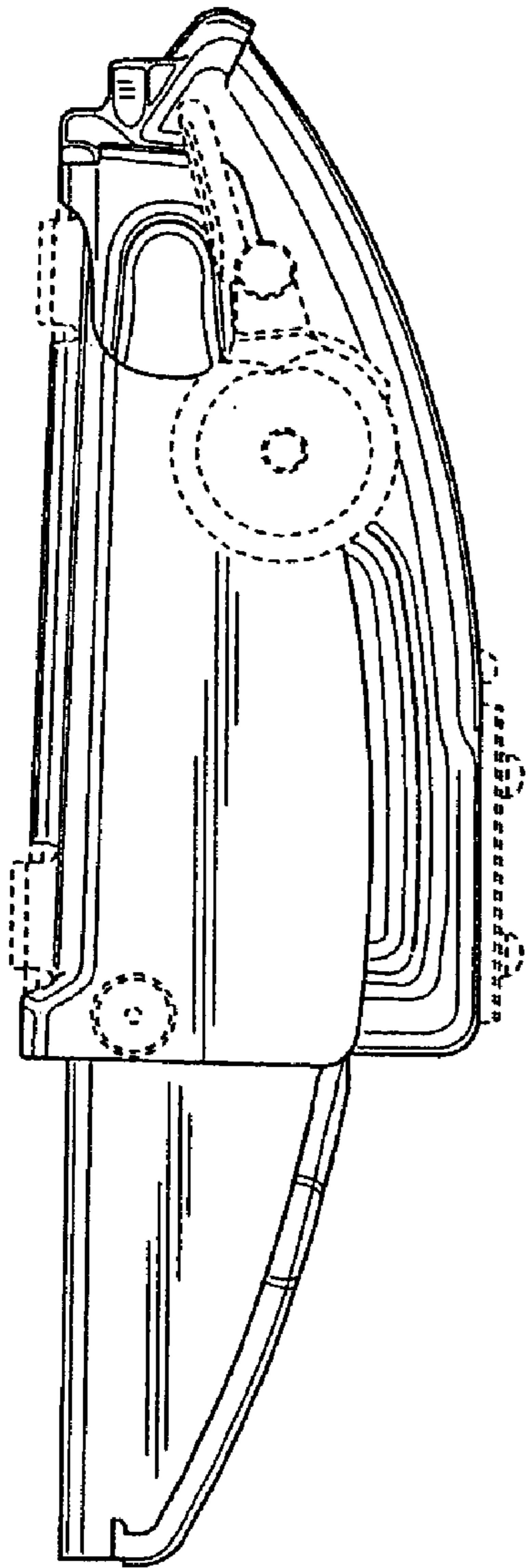


FIG. 3

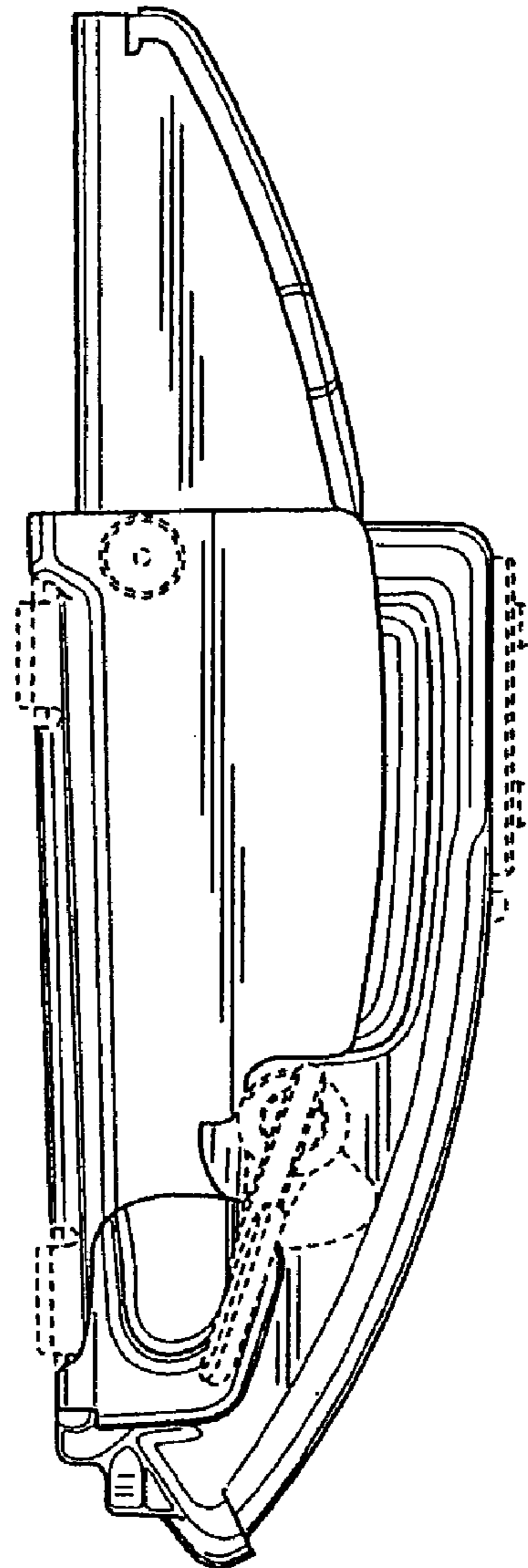


FIG. 5

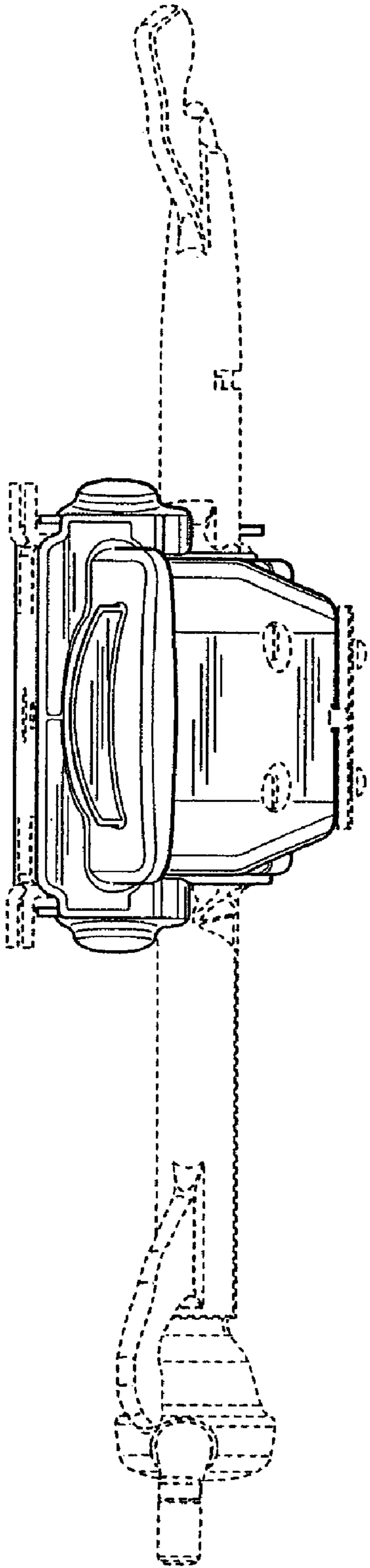


FIG. 4

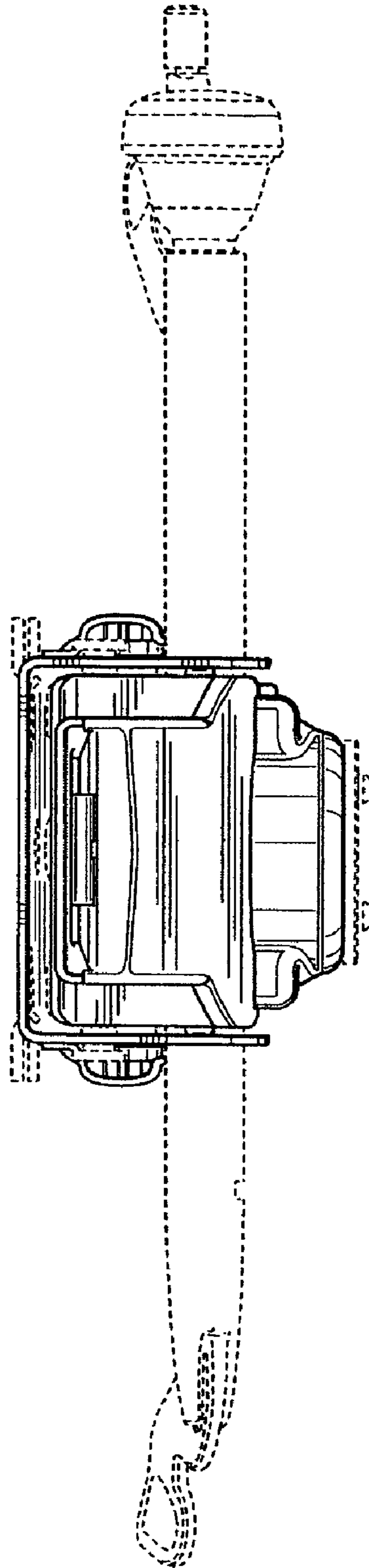


FIG. 6

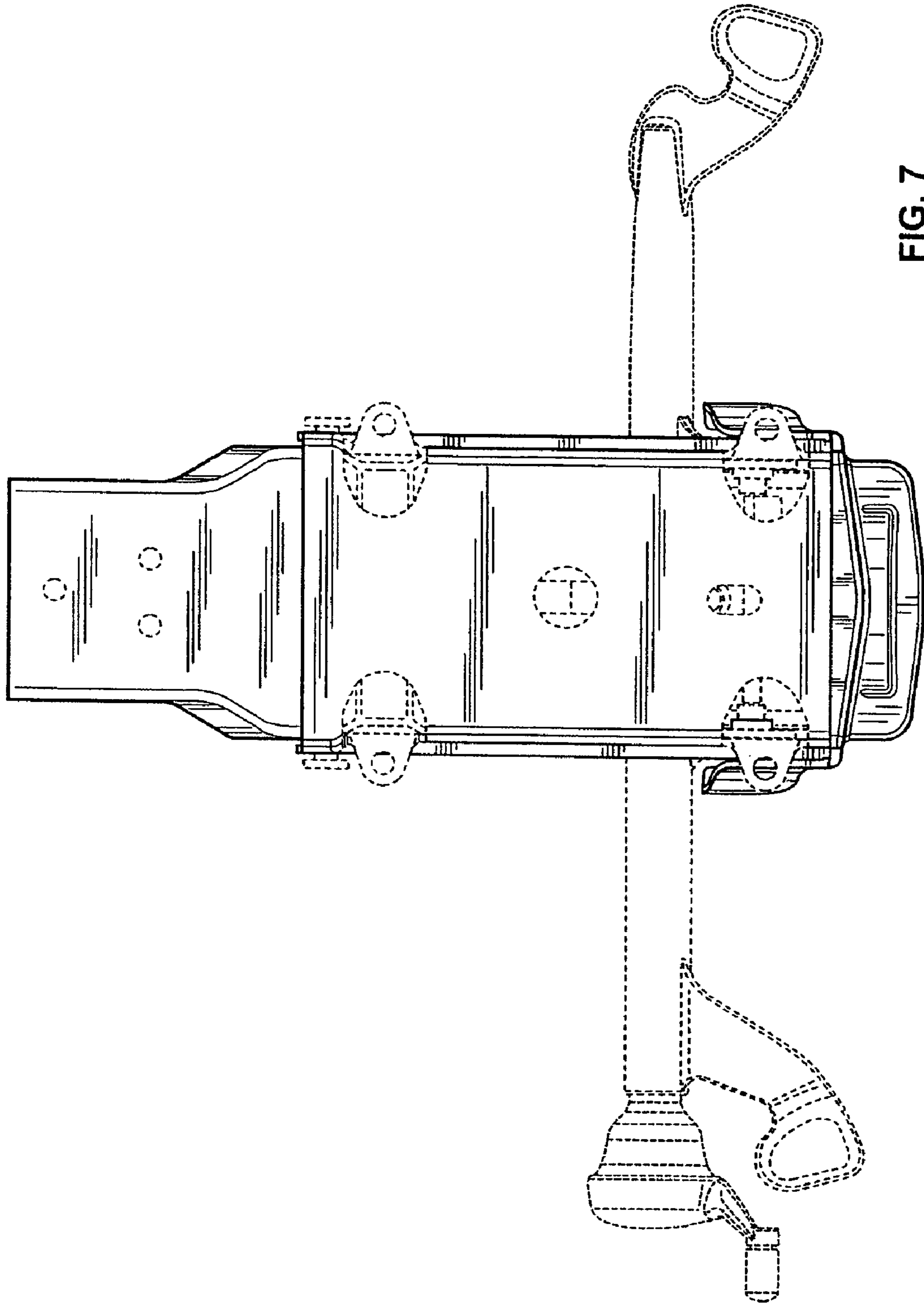


FIG. 7

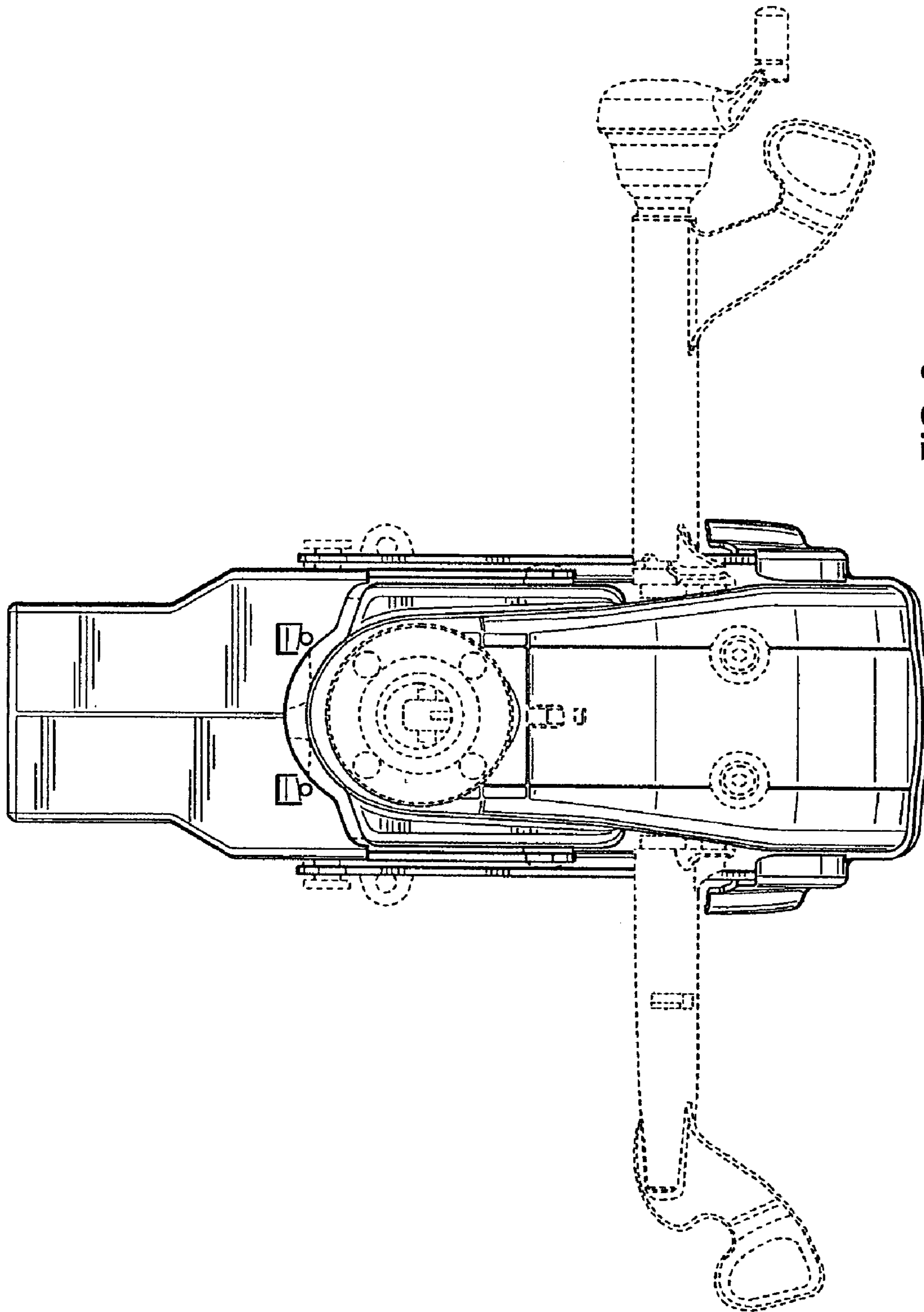


FIG. 8