



US00D557944S

(12) **United States Design Patent**
Cheng

(10) **Patent No.:** **US D557,944 S**

(45) **Date of Patent:** **** Dec. 25, 2007**

(54) **TABLE BASE**

D545,597 S * 7/2007 Aubriot et al. D6/495

(75) Inventor: **Chung-Mau Cheng**, 4426 Calle Mayor
#5, Torrance, CA (US) 90505

* cited by examiner

Primary Examiner—Janice E. Seeger

(73) Assignee: **Chung-Mau Cheng**, Torrance, CA (US)

(**) Term: **14 Years**

(57) **CLAIM**

(21) Appl. No.: **29/248,649**

The ornamental design for a table base, as shown and described.

(22) Filed: **Aug. 25, 2006**

DESCRIPTION

(51) **LOC (8) Cl.** **06-06**

(52) **U.S. Cl.** **D6/495**

(58) **Field of Classification Search** D6/480–489,
D6/495–499, 511, 452; 108/150, 151, 153.1,
108/155, 156, 157.1, 161, 118; 248/188,
248/188.1, 188.7, 188.8

FIG. 1 is a perspective view of a table base of the present invention, illustrating a circular table top in phantom outline, the broken lines showing the table top for illustrative purposes only and forming no part of the claimed design;

FIG. 2 is a perspective view of the table base of the present invention, illustrating a square table top in phantom outline, the broken lines showing the table top for illustrative purposes only and forming no part of the claimed design;

See application file for complete search history.

FIG. 3 is a front elevational view of the invention, the rear elevational view being a mirror image thereof;

(56) **References Cited**

U.S. PATENT DOCUMENTS

2,635,023	A *	4/1953	Frye	248/188.7
D213,976	S *	4/1969	Platner	D6/499
D261,342	S *	10/1981	Frye	D6/495
4,322,109	A *	3/1982	Thebaud	297/25
D296,284	S *	6/1988	Colby	D6/487
D423,831	S *	5/2000	Massie et al.	D6/495
D484,337	S *	12/2003	Risdon et al.	D6/495

FIG. 4 is a right-side elevational view of the invention, the left-side elevational view being a mirror image thereof;

FIG. 5 is a top plan view of the invention; and,

FIG. 6 is a bottom plan view of the invention.

1 Claim, 2 Drawing Sheets

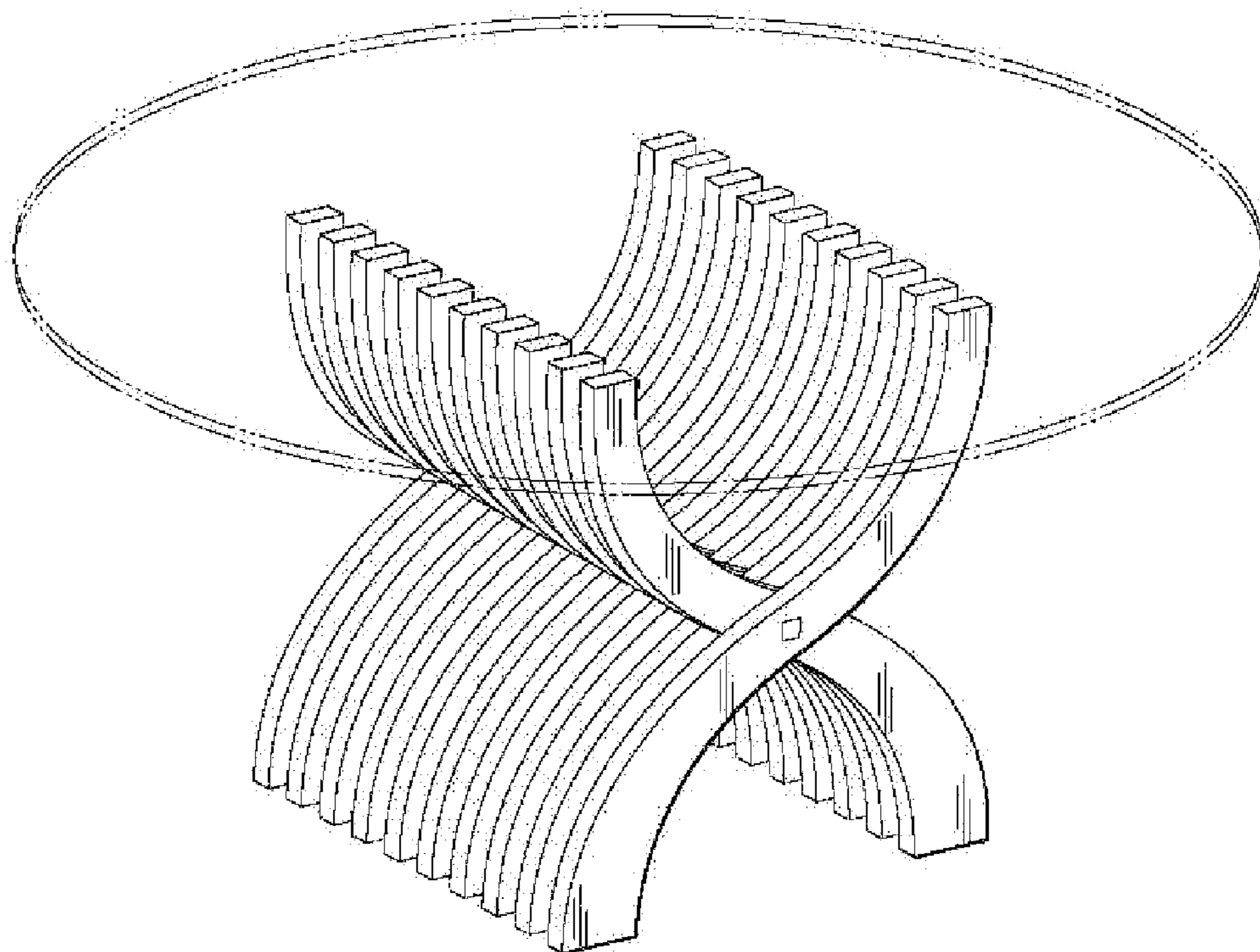


Fig. 1

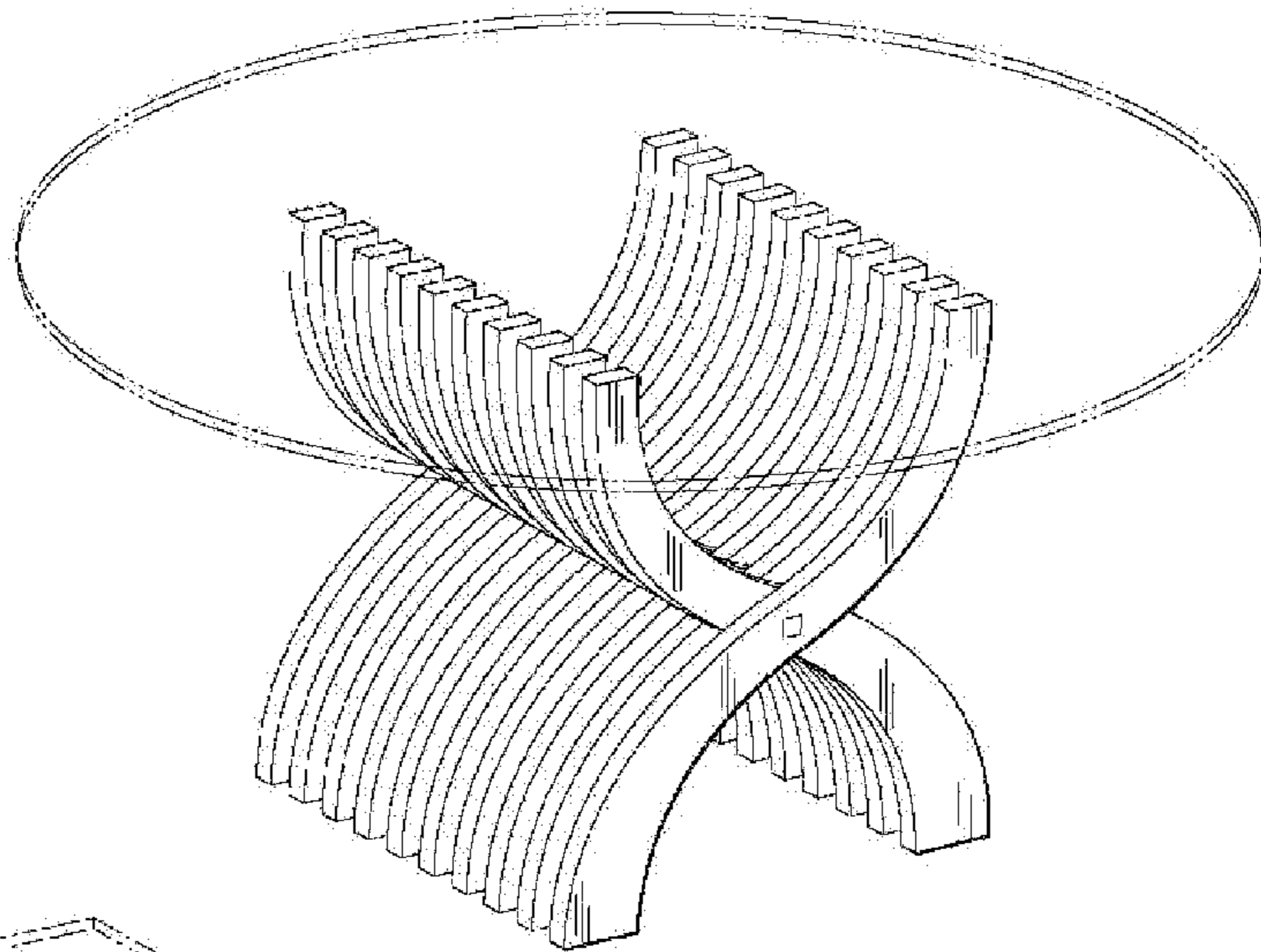


Fig. 2

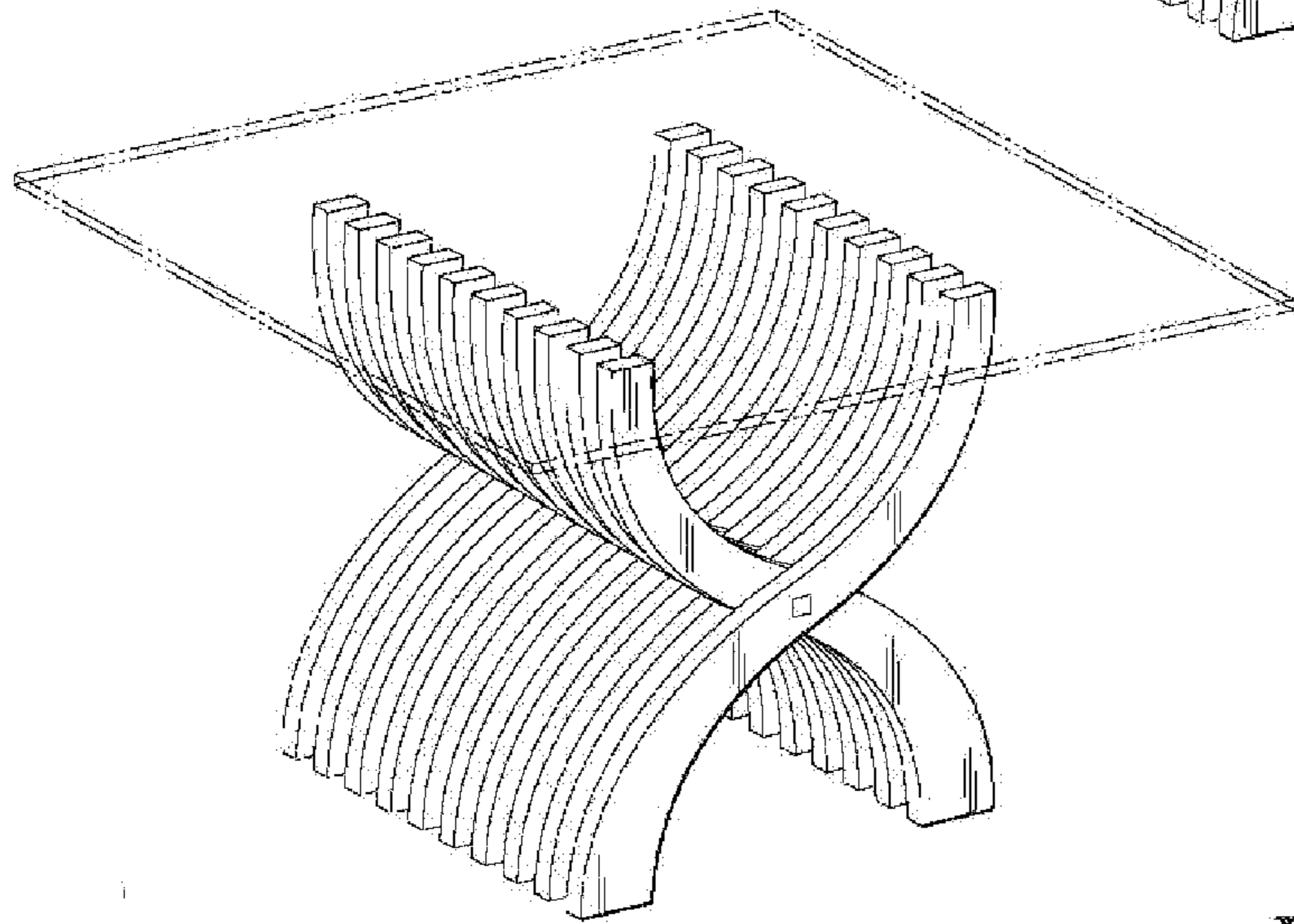


Fig. 3

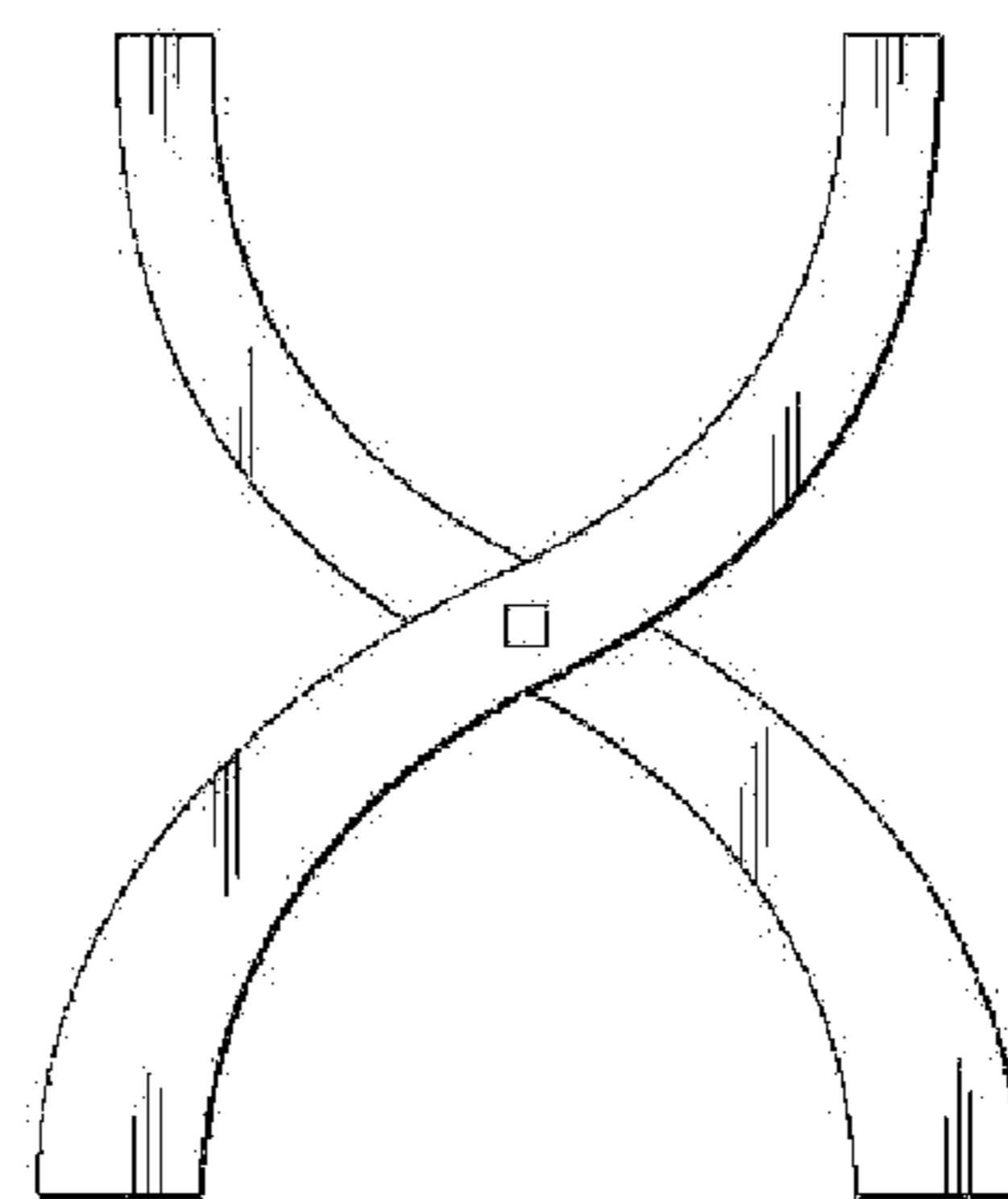


Fig. 4

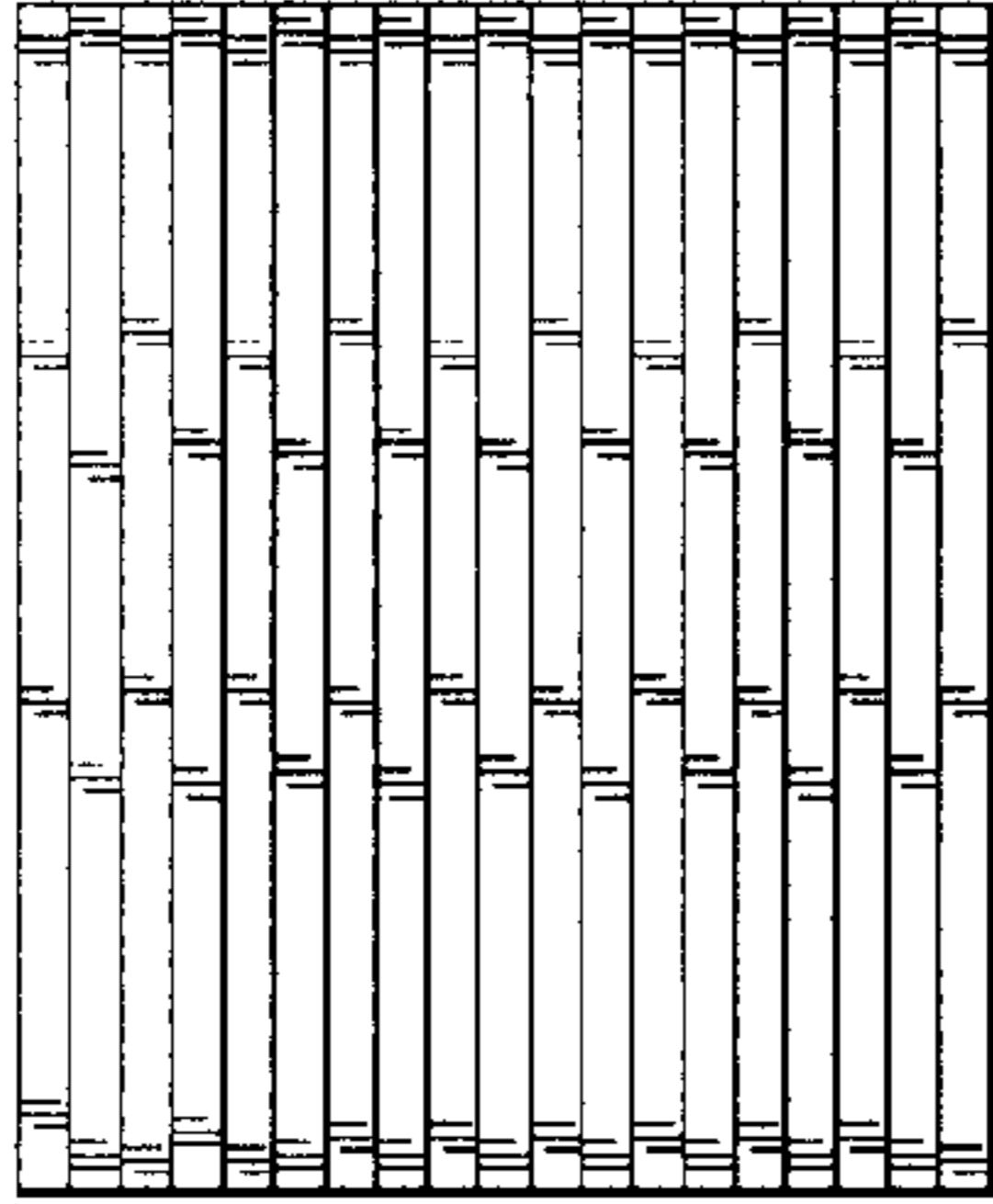


Fig. 5

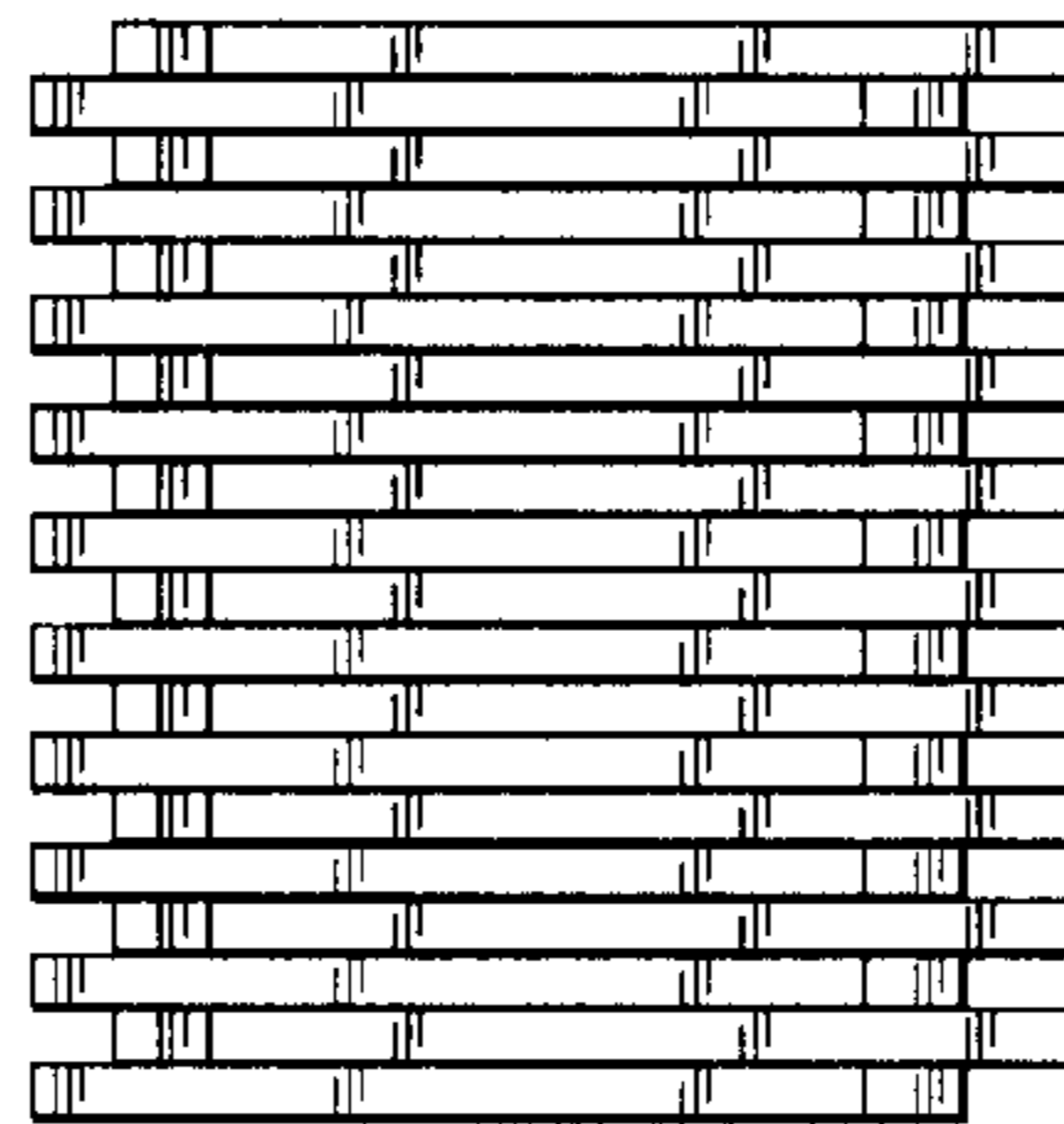


Fig. 6

