

US00D557939S

(12) **United States Design Patent**  
**Greiner**

(10) **Patent No.:** **US D557,939 S**

(45) **Date of Patent:** **\*\* Dec. 25, 2007**

(54) **SWIVEL ORGANIZER**

D483,964 S 12/2003 Bates  
D489,197 S 5/2004 Harwanko  
D492,857 S 7/2004 Harwanko

(76) Inventor: **Lori Greiner**, 1301 Dearborn Pkwy.,  
Suite 402, Chicago, IL (US) 60610

(Continued)

(\*\*) Term: **14 Years**

**FOREIGN PATENT DOCUMENTS**

(21) Appl. No.: **29/277,342**

GB 2345630 A 7/2000

(22) Filed: **Feb. 22, 2007**

**OTHER PUBLICATIONS**

**Related U.S. Application Data**

U.S. Appl. No. 11/368,019, filed Mar. 3, 2006, Title "Swivel Organizer", Inventor Lori Greiner.

(62) Division of application No. 29/263,540, filed on Jul. 25, 2006.

U.S. Appl. No. 11/610,170, filed Dec. 13, 2006, Title "Tri-Fold Mirror Swivel Organizer", Inventor Lori Greiner.

(51) **LOC (8) Cl.** ..... **06-04**

*Primary Examiner*—Cathron C. Brooks

(52) **U.S. Cl.** ..... **D6/470**

*Assistant Examiner*—Kelley A. Donnelly

(58) **Field of Classification Search** ..... D6/438,  
D6/448, 470, 455, 479, 559; 312/114, 204,  
312/224, 278–279, 321.5; 108/103; 211/95,  
211/163, 85.2

(74) *Attorney, Agent, or Firm*—Fredrikson & Byron, P.A.

See application file for complete search history.

(57) **CLAIM**

I claim the ornamental design for a swivel organizer, as shown and described.

(56) **References Cited**

**DESCRIPTION**

**U.S. PATENT DOCUMENTS**

FIG. 1 is a perspective view of my new design for a swivel organizer;

- D165,833 S 2/1952 Gaither
- D233,087 S 10/1974 Martin
- 4,058,356 A 11/1977 Michal
- 4,300,809 A 11/1981 Brownlee
- 4,463,856 A 8/1984 Strasser
- 4,753,495 A 6/1988 Swink
- 4,884,655 A 12/1989 Freadman et al.
- D319,154 S 8/1991 Powell
- D319,155 S 8/1991 Powell
- 5,243,434 A 9/1993 Nodama
- D368,583 S 4/1996 Sharer et al.
- 5,542,758 A 8/1996 Brown
- D377,278 S 1/1997 Putterman et al.
- D383,278 S \* 9/1997 Jennings ..... D34/1
- D387,236 S 12/1997 Madonna
- D403,530 S 1/1999 Lin
- 5,870,858 A 2/1999 Manuel
- 6,042,077 A 3/2000 Shoemith
- D436,481 S \* 1/2001 Harwanko ..... D6/559

FIG. 2 is a side perspective view thereof with both doors closed, the other side perspective view being a mirror image of that shown;

FIG. 3 is a side perspective view thereof with both doors open;

FIG. 4 is an opposite side perspective view thereof with both doors open;

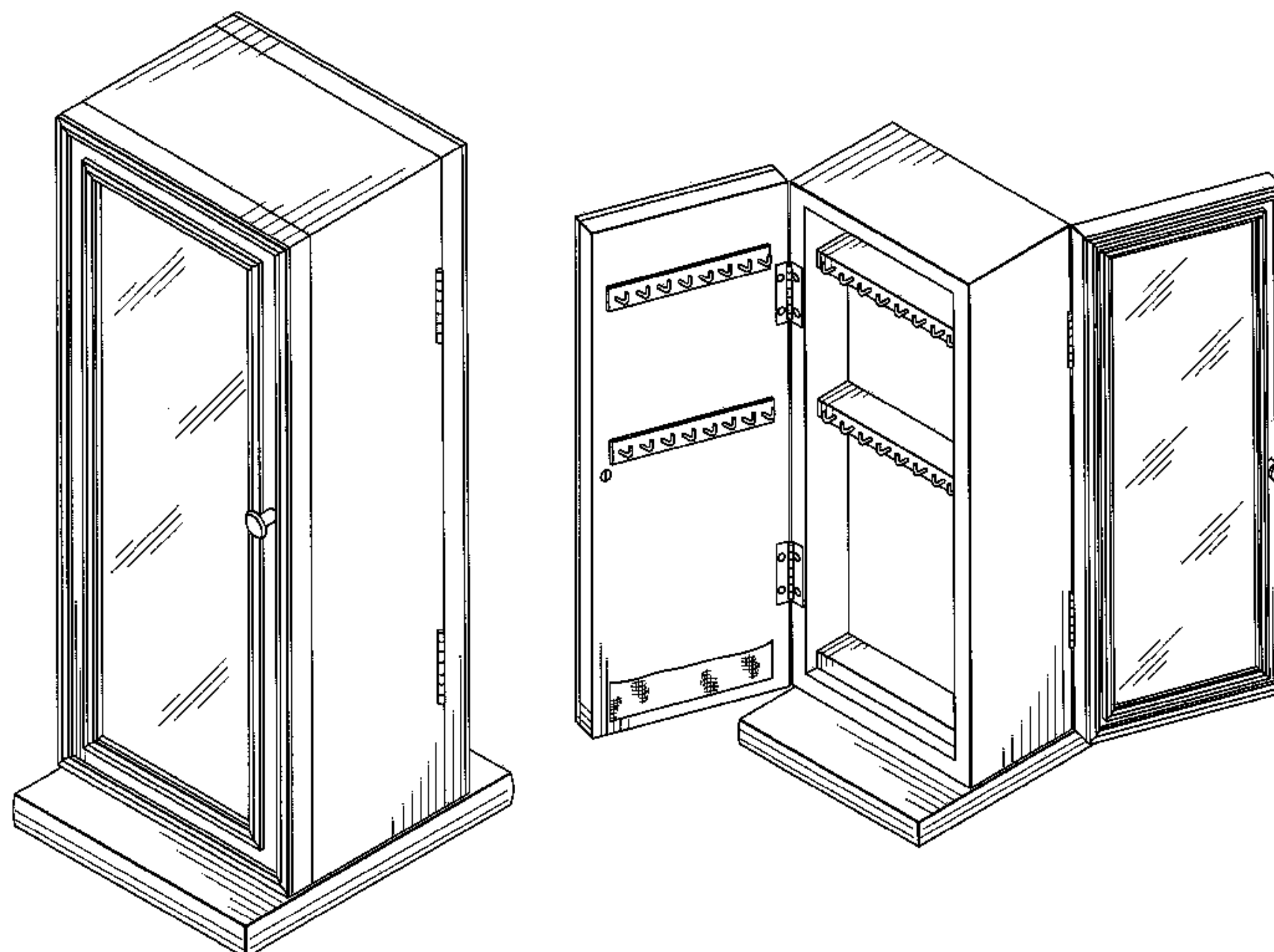
FIG. 5 is a rear elevation view thereof, the front elevational view being a mirror image of that shown;

FIG. 6 is a side elevation view thereof, the other side elevation view is a mirror image of that shown;

FIG. 7 is top plan view thereof; and,

FIG. 8 is a bottom plan view thereof.

**1 Claim, 7 Drawing Sheets**



# US D557,939 S

Page 2

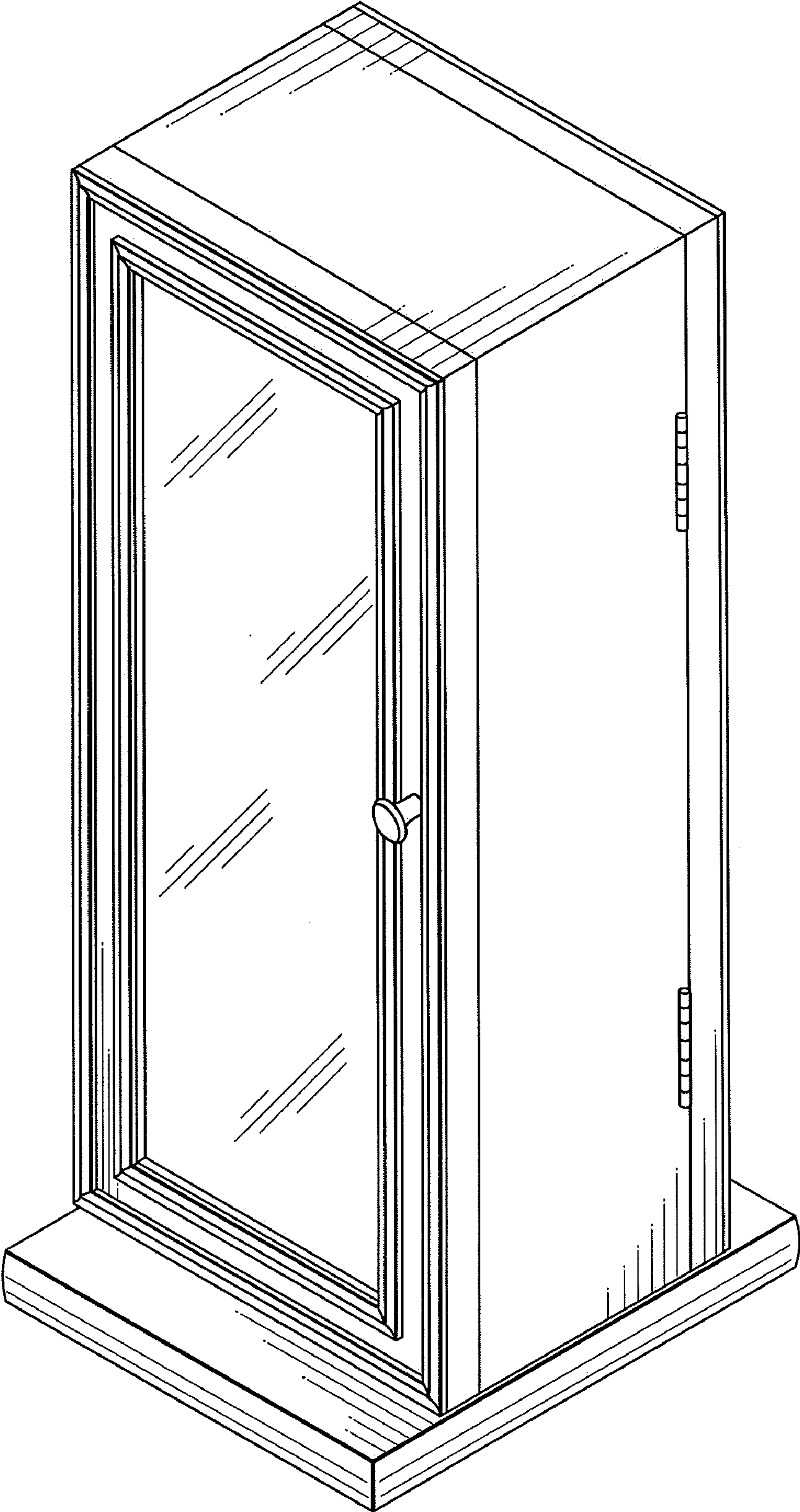
---

## U.S. PATENT DOCUMENTS

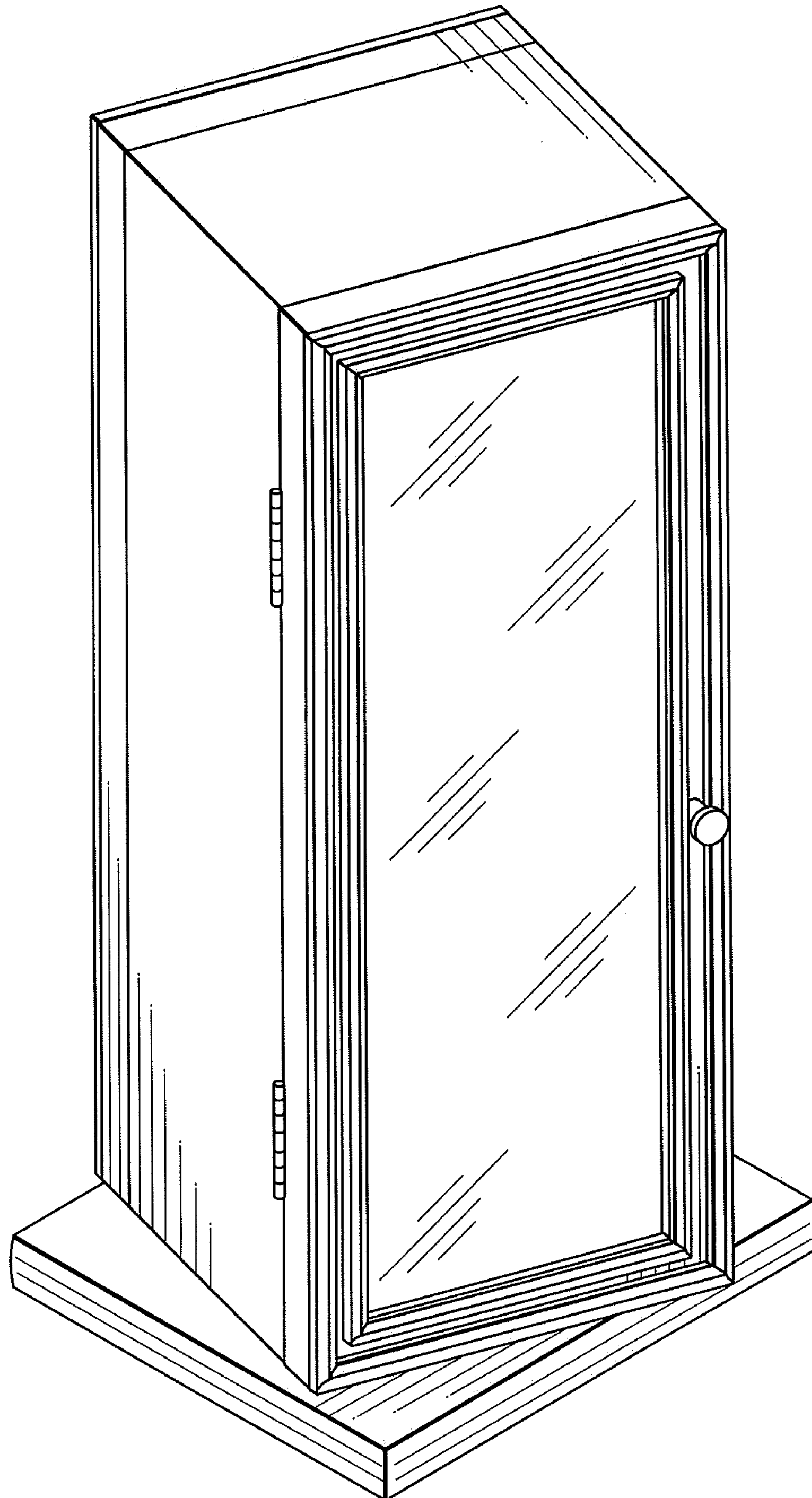
D501,100 S	1/2005	Walker		D528,840 S *	9/2006	Greiner	.....	D6/559
D504,265 S *	4/2005	Walker	.....	D530,118 S *	10/2006	Del Castillo et al.	.....	D6/479
D522,269 S	6/2006	Walker		2005/0093405 A1	5/2005	Greiner		

\* cited by examiner

**Fig. 1**

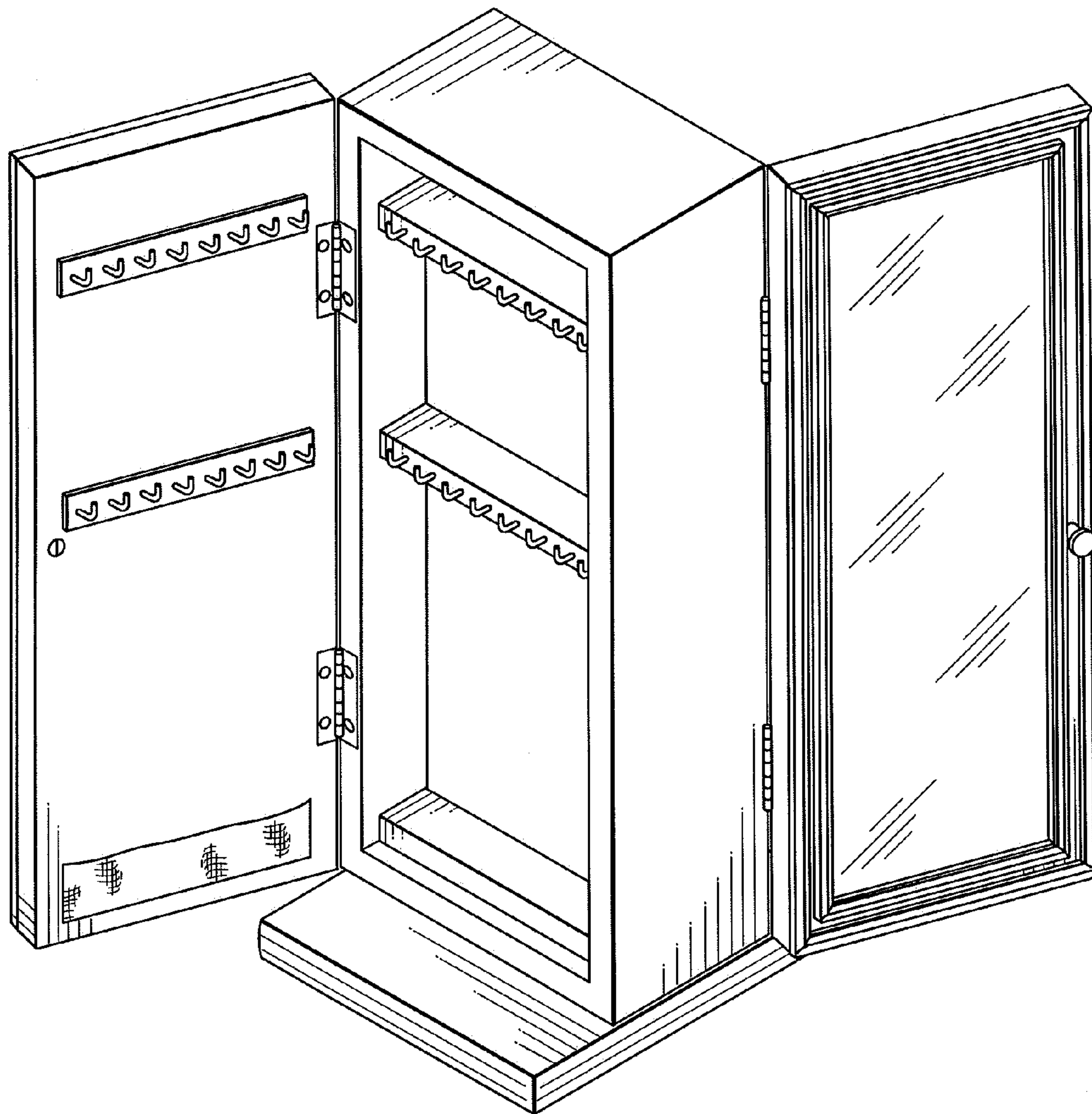


**Fig. 2**

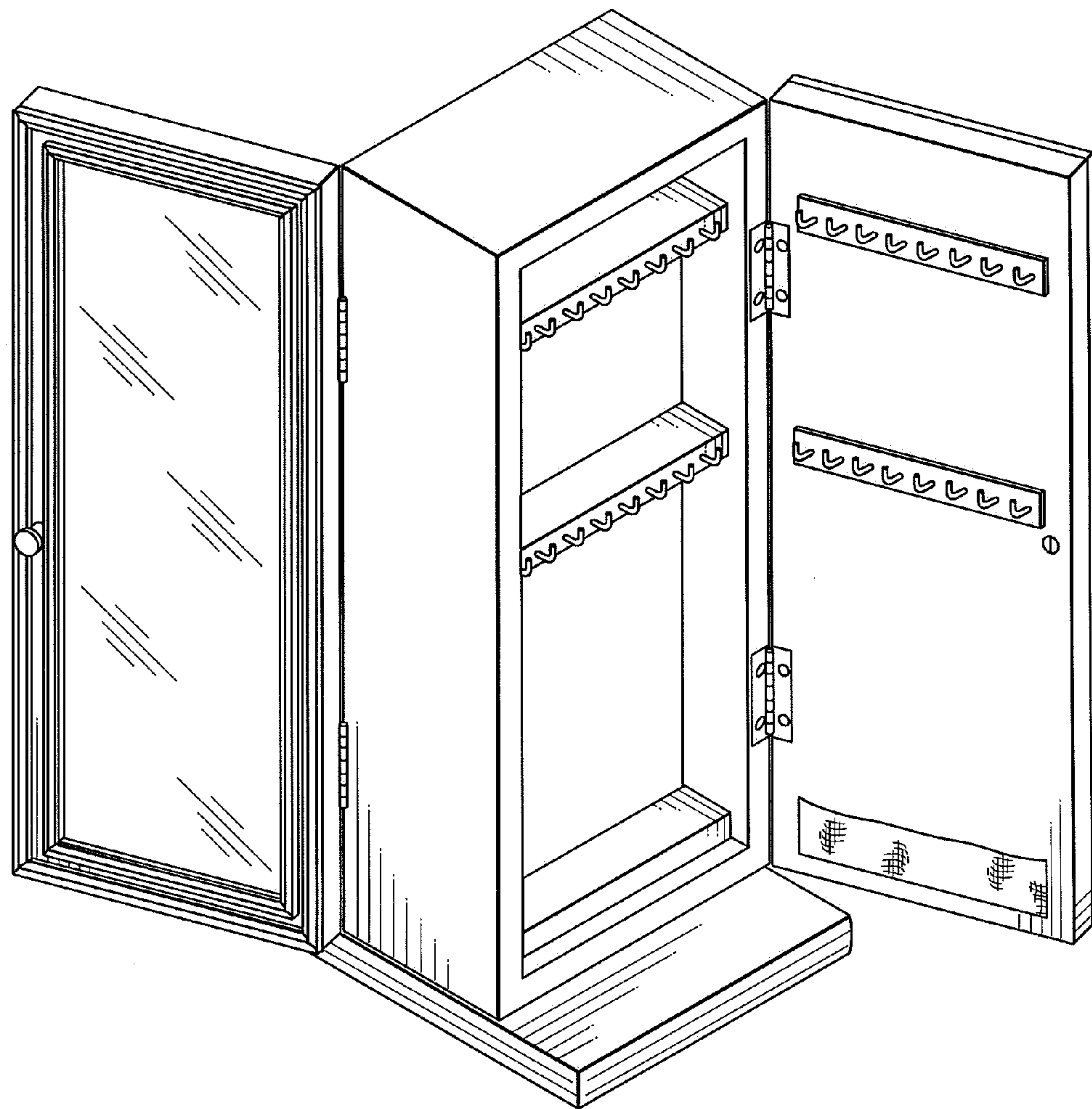




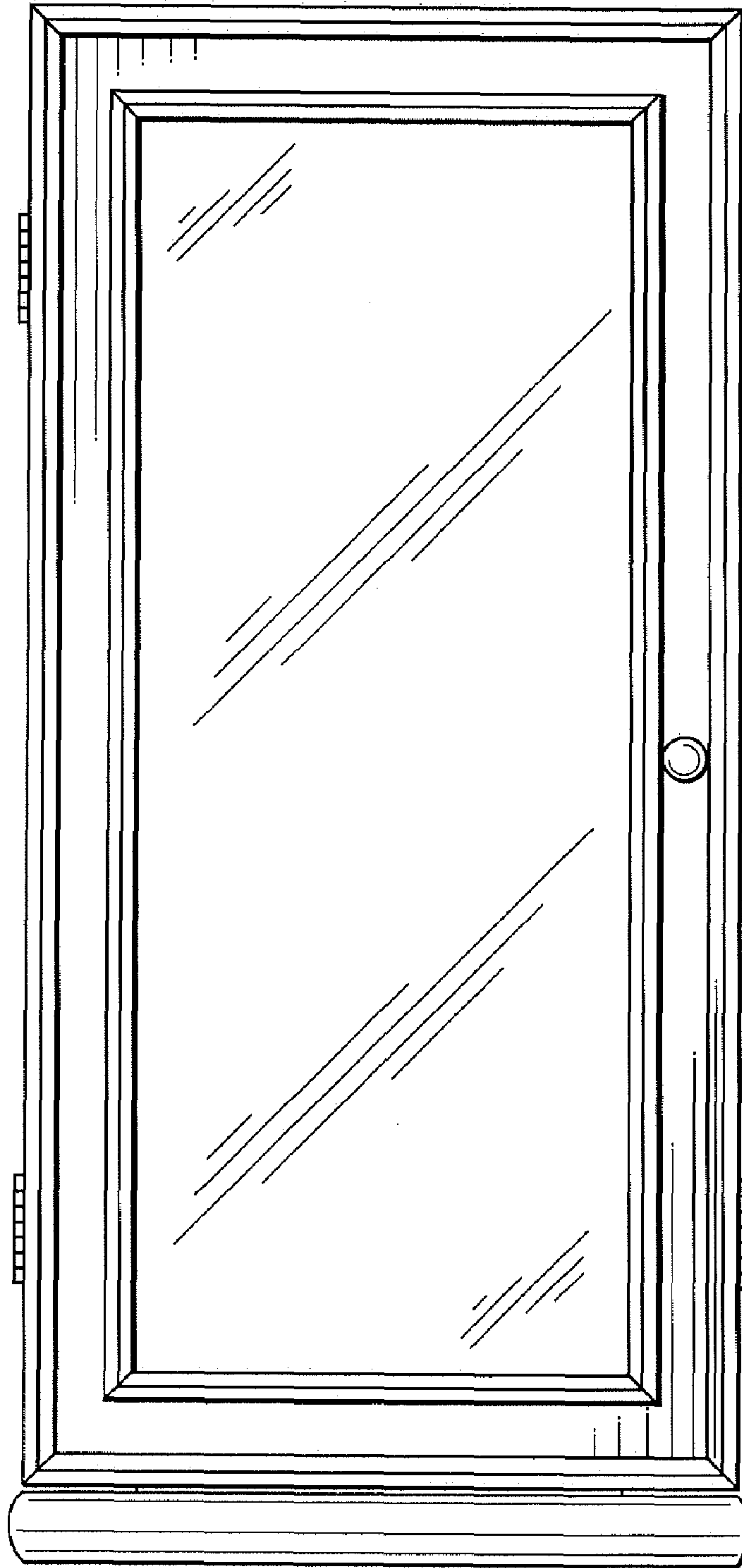
**Fig. 3**



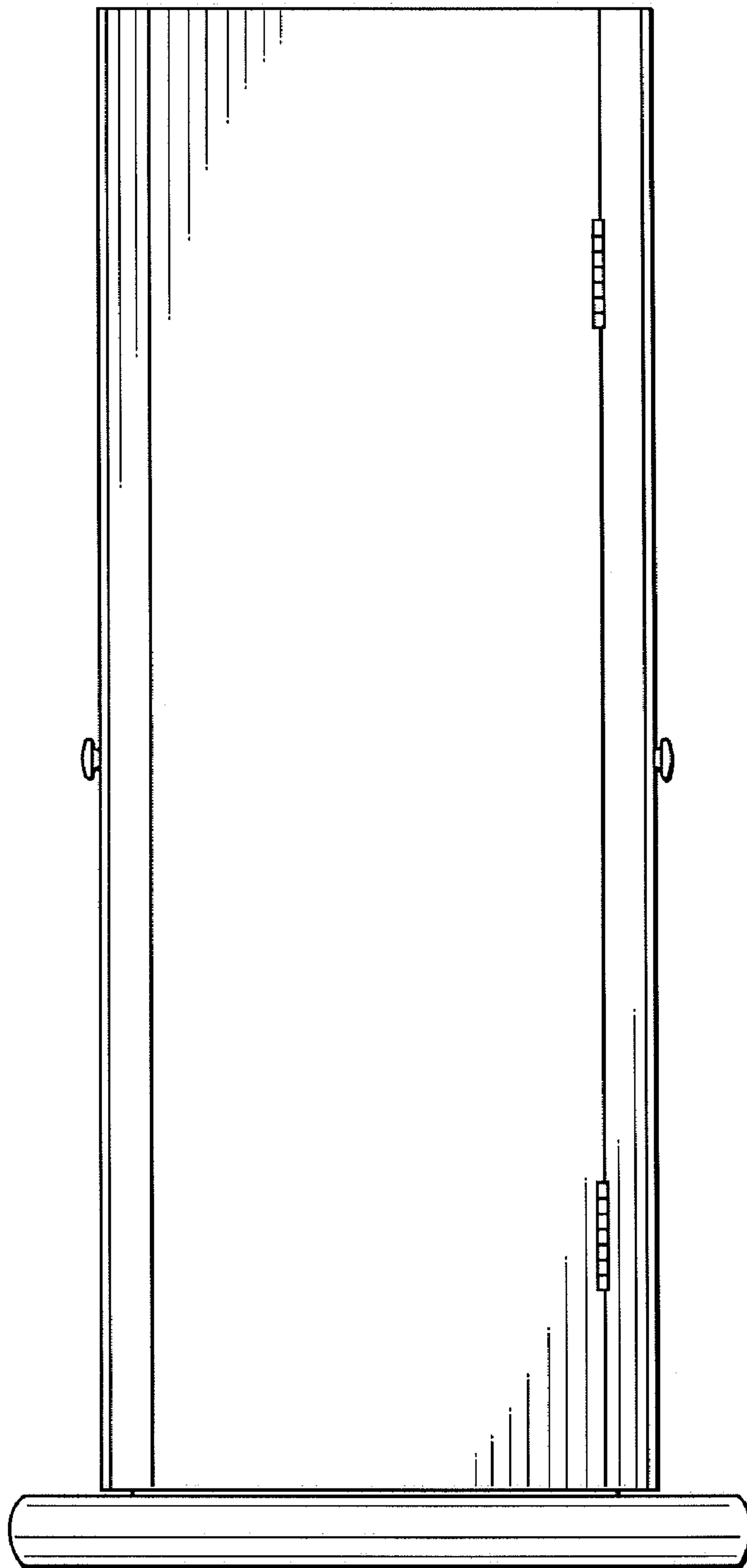
**Fig. 4**



**Fig. 5**

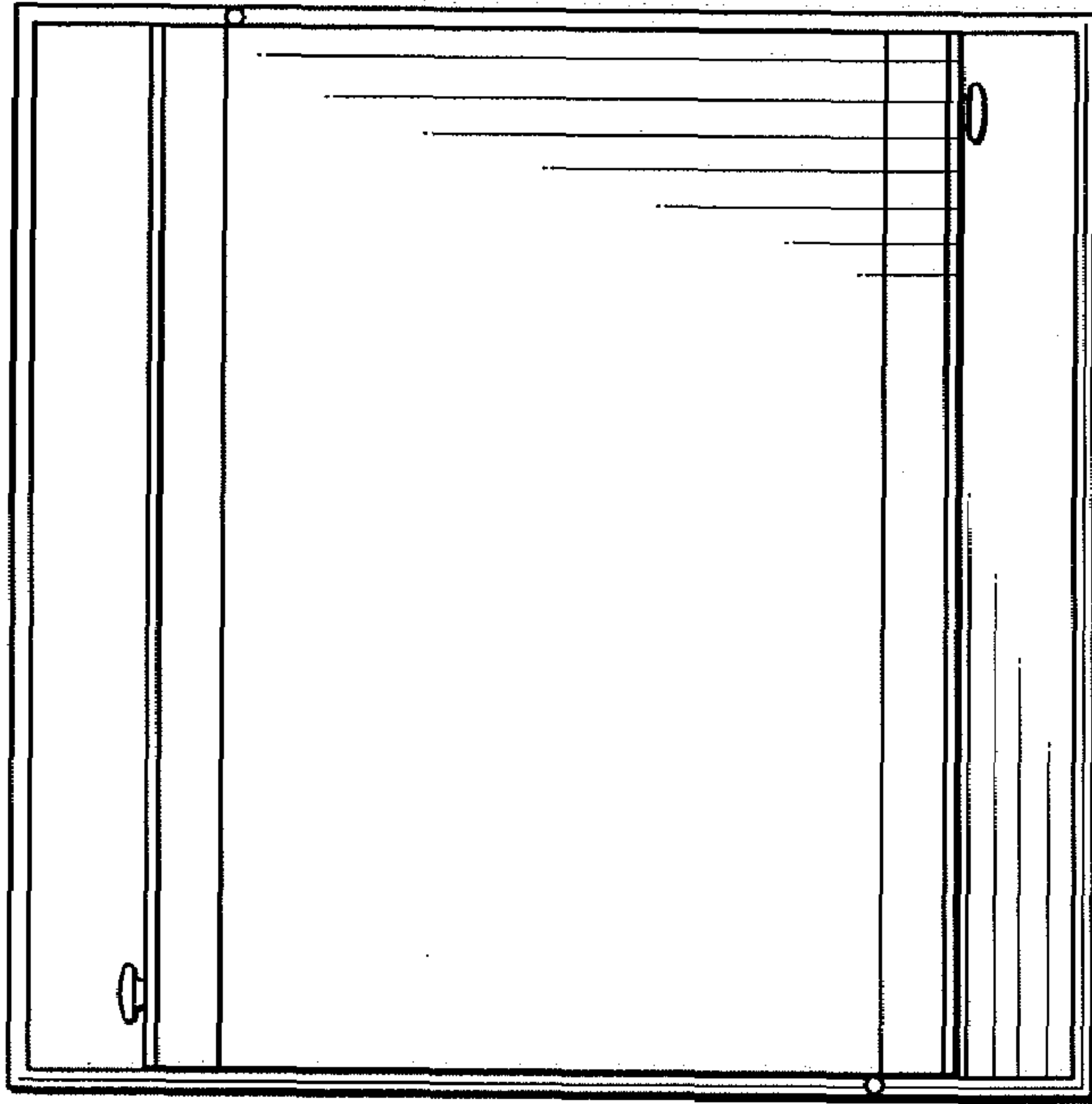


**Fig. 6**





**Fig. 7**



**Fig. 8**

