



US00D557937S

(12) **United States Design Patent**
Hafif

(10) **Patent No.:** **US D557,937 S**

(45) **Date of Patent:** **** Dec. 25, 2007**

(54) **RETAIL DISPLAY**

(75) Inventor: **Sam Hafif**, Brooklyn, NY (US)

(73) Assignee: **Concept One Accessories, Inc.**, New York, NY (US)

(**) Term: **14 Years**

(21) Appl. No.: **29/255,026**

(22) Filed: **Mar. 2, 2006**

(51) **LOC (8) Cl.** **06-04**

(52) **U.S. Cl.** **D6/469**

(58) **Field of Classification Search** D6/469,
D6/449, 455, 457, 458, 462, 552, 403; D7/701,
D7/708, 707; 211/13.1, 85.3, 30
See application file for complete search history.

(56) **References Cited**

U.S. PATENT DOCUMENTS

D198,952 S *	8/1964	Mittelberger	D7/708
4,336,886 A *	6/1982	Azoulay et al.	211/85.3
D412,798 S *	8/1999	Lewis, Sr.	D6/469
D488,644 S *	4/2004	Park	D6/469

* cited by examiner

Primary Examiner—Janice E. Seeger

Assistant Examiner—Sydney R. Buffalow

(74) *Attorney, Agent, or Firm*—Robert D. Katz; Cooper & Dunham LLP

(57) **CLAIM**

The ornamental design for a retail display, as shown and described.

DESCRIPTION

FIG. 1 is a front perspective view of a retail display showing my new design;

FIG. 2 is a rear view of the retail display of FIG. 1;

FIG. 3 is a side view of one side of the retail display of FIG. 1;

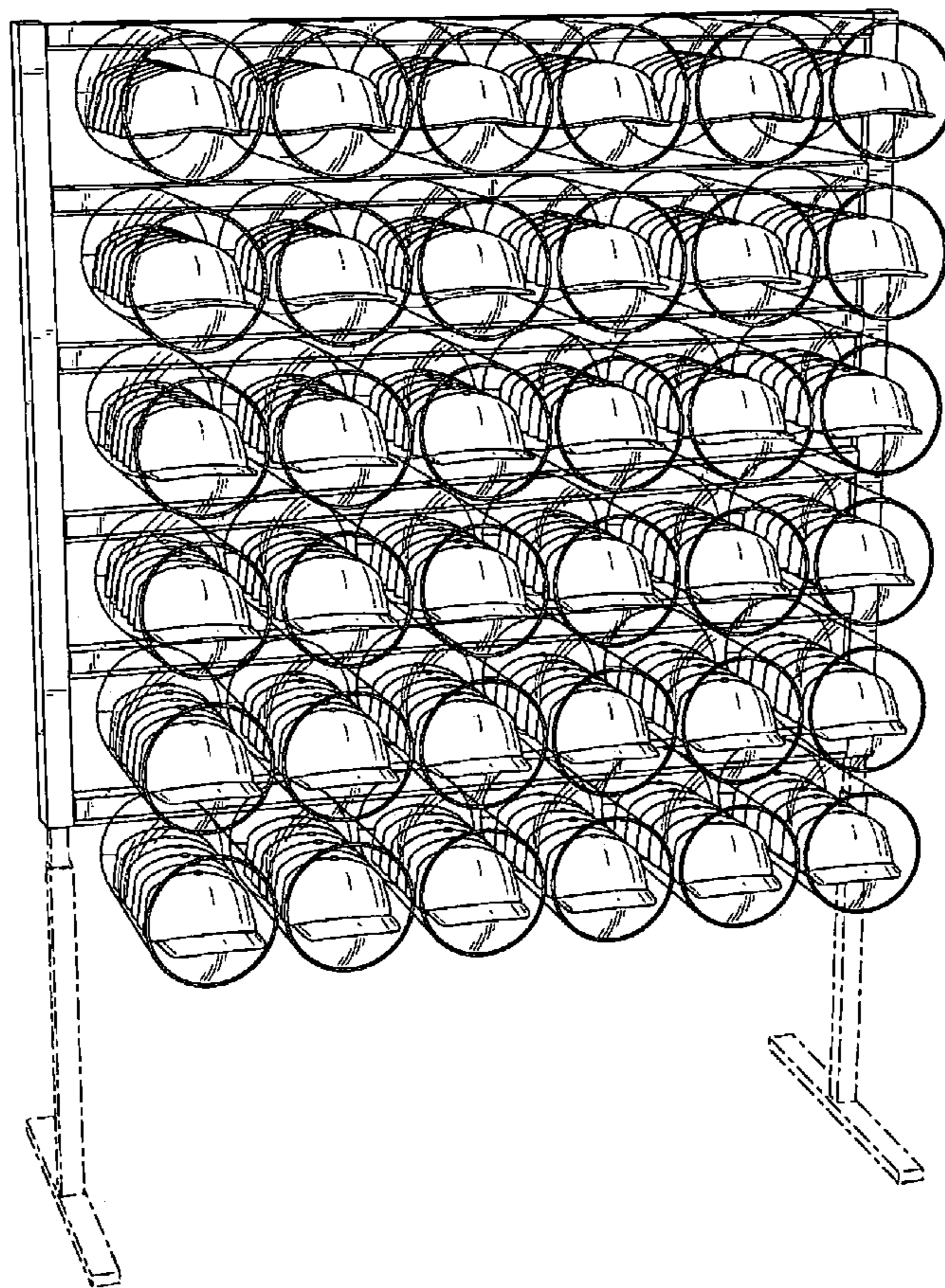
FIG. 4 is a side view of the other side of the retail display of FIG. 1;

FIG. 5 is a top view of the retail display of FIG. 1; and,

FIG. 6 is a bottom view of the retail display of FIG. 1.

The broken lines are for illustrative purposes only and form no part of the claimed design.

1 Claim, 4 Drawing Sheets



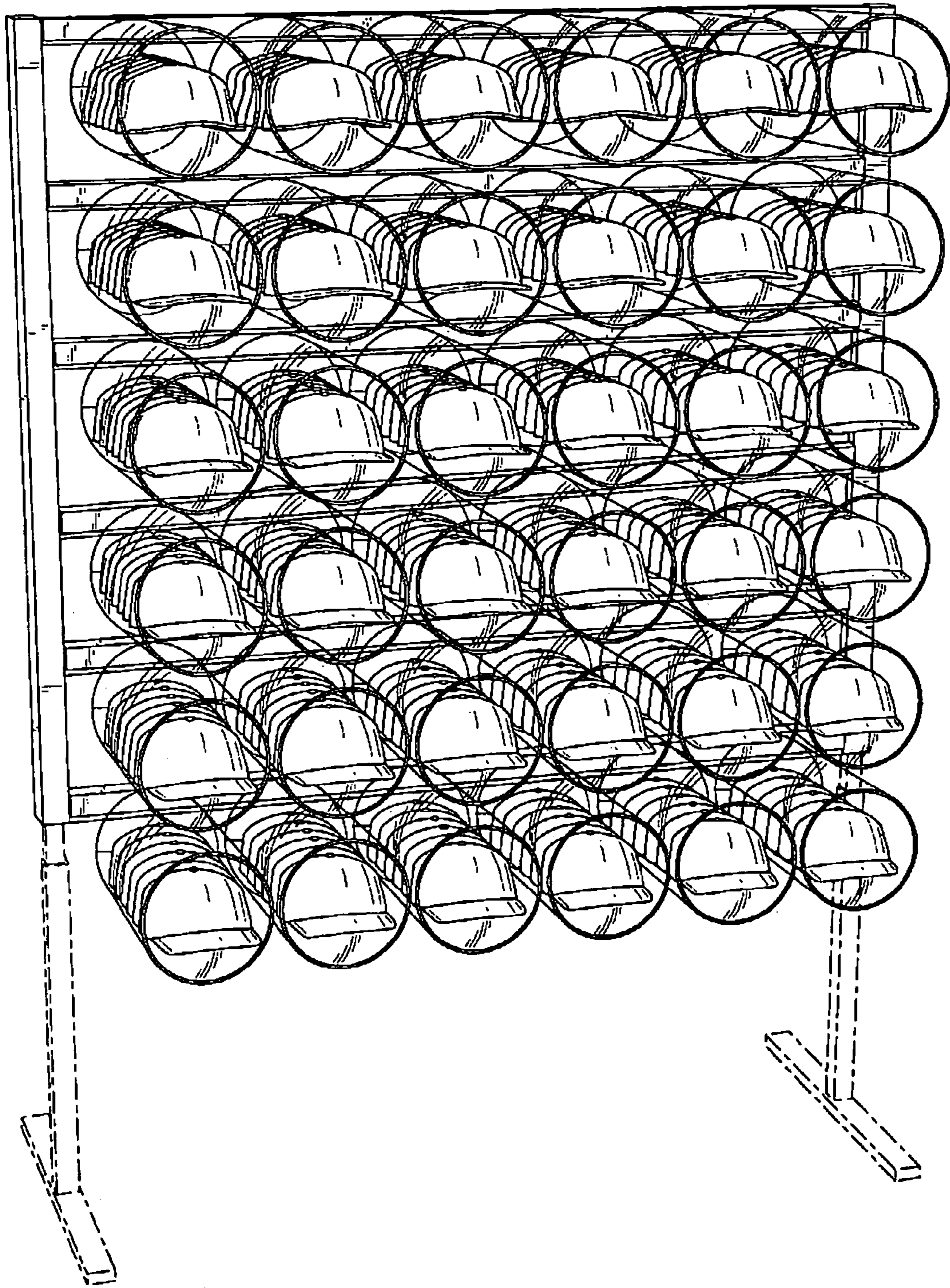


FIG. 1

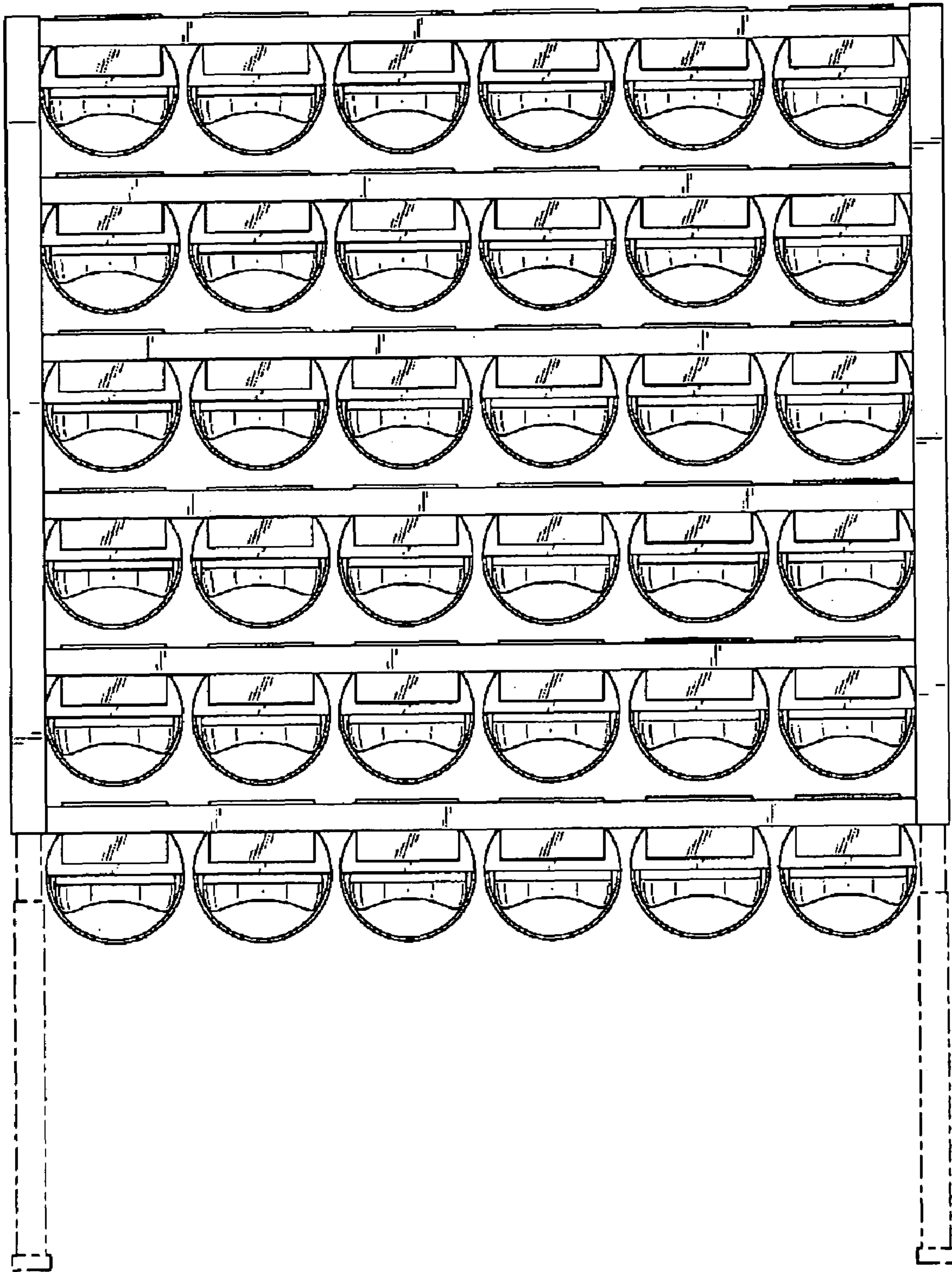


FIG. 2

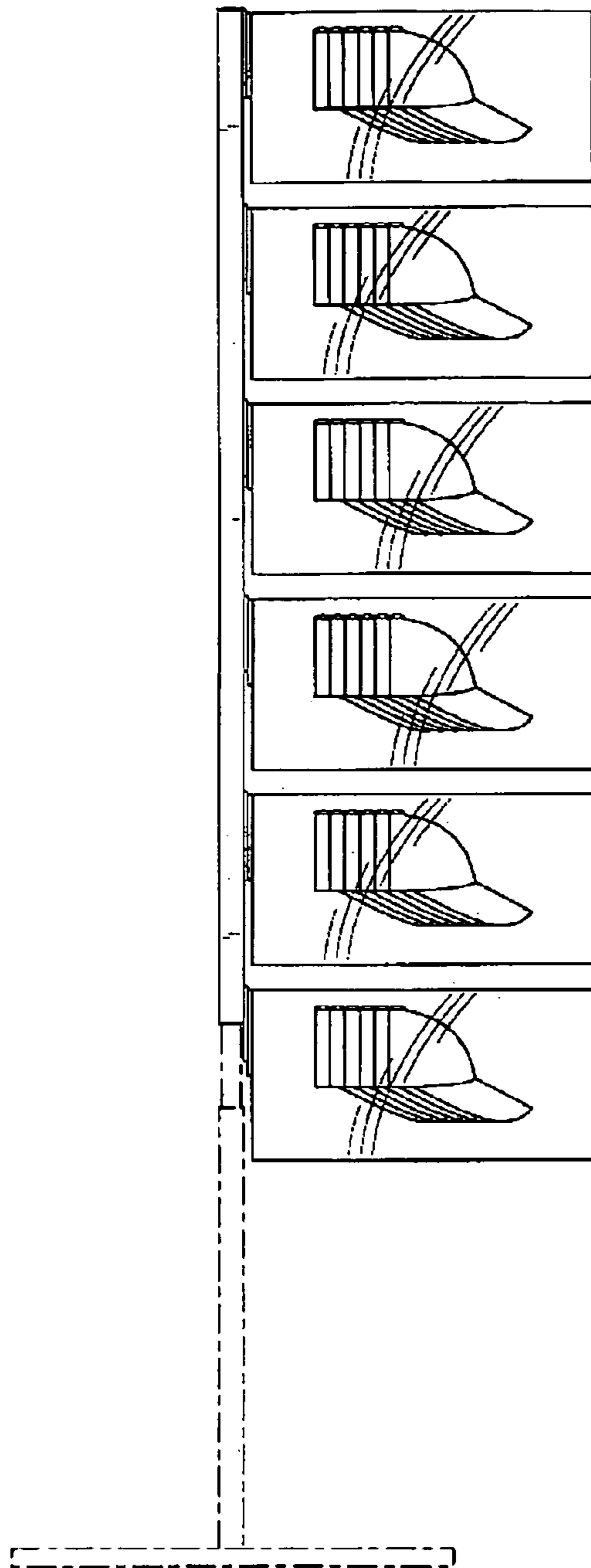


FIG. 3

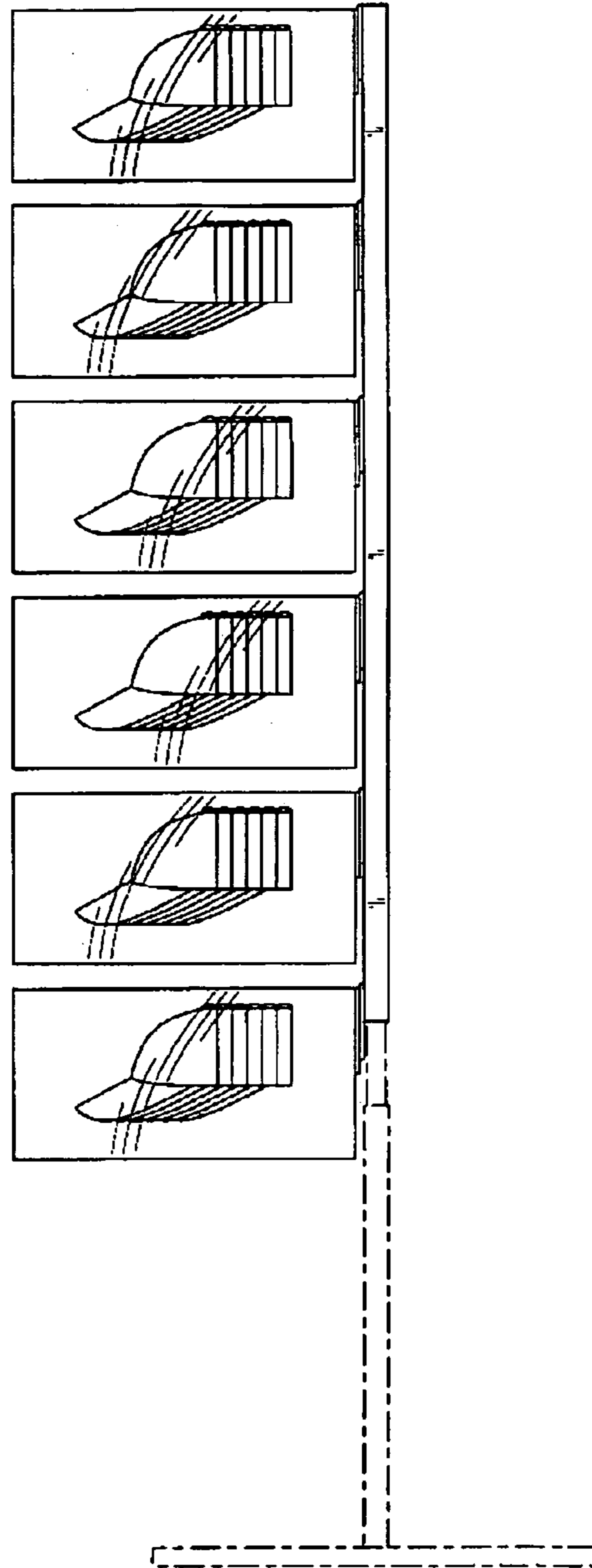


FIG. 4

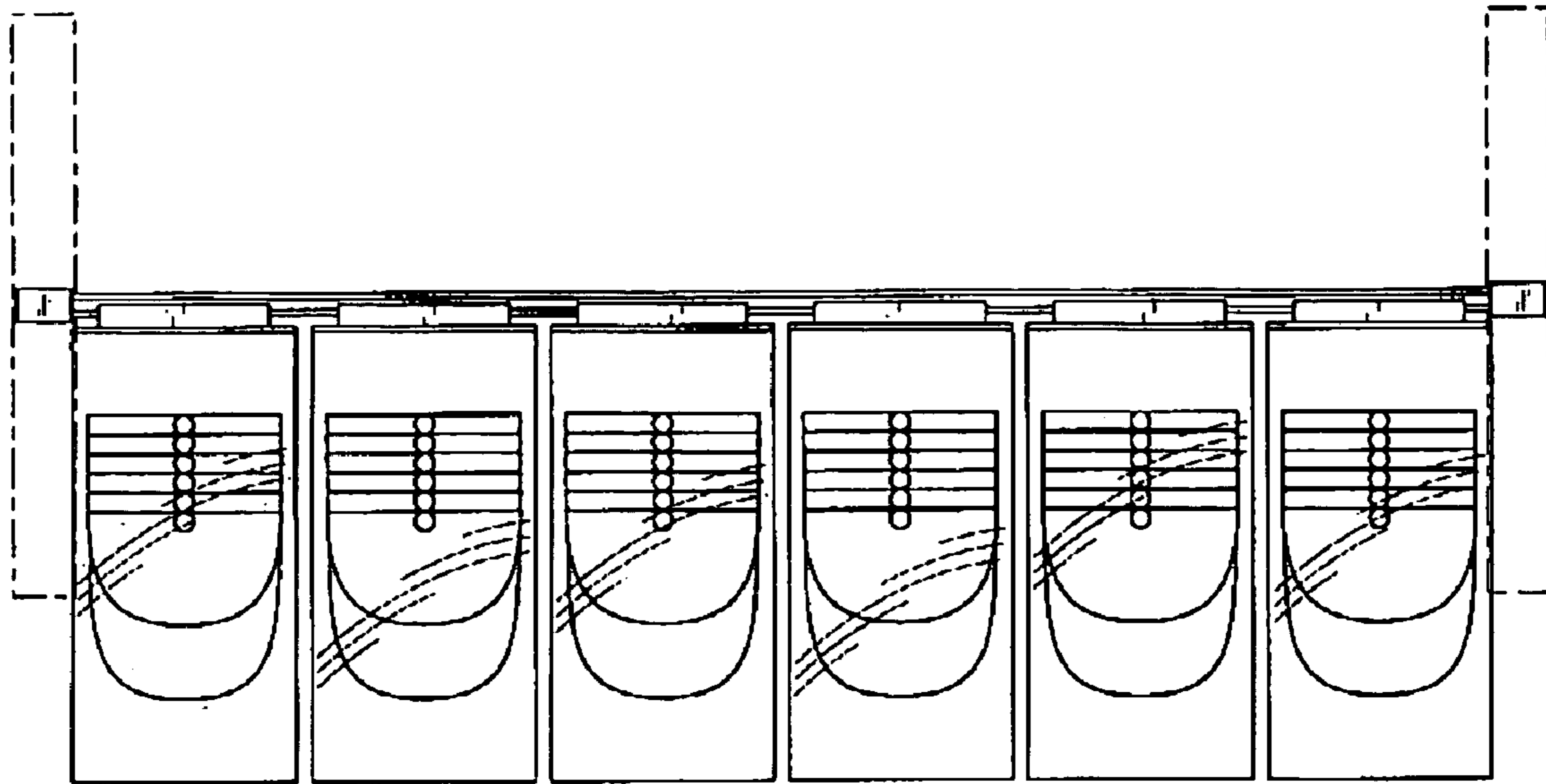


FIG. 5

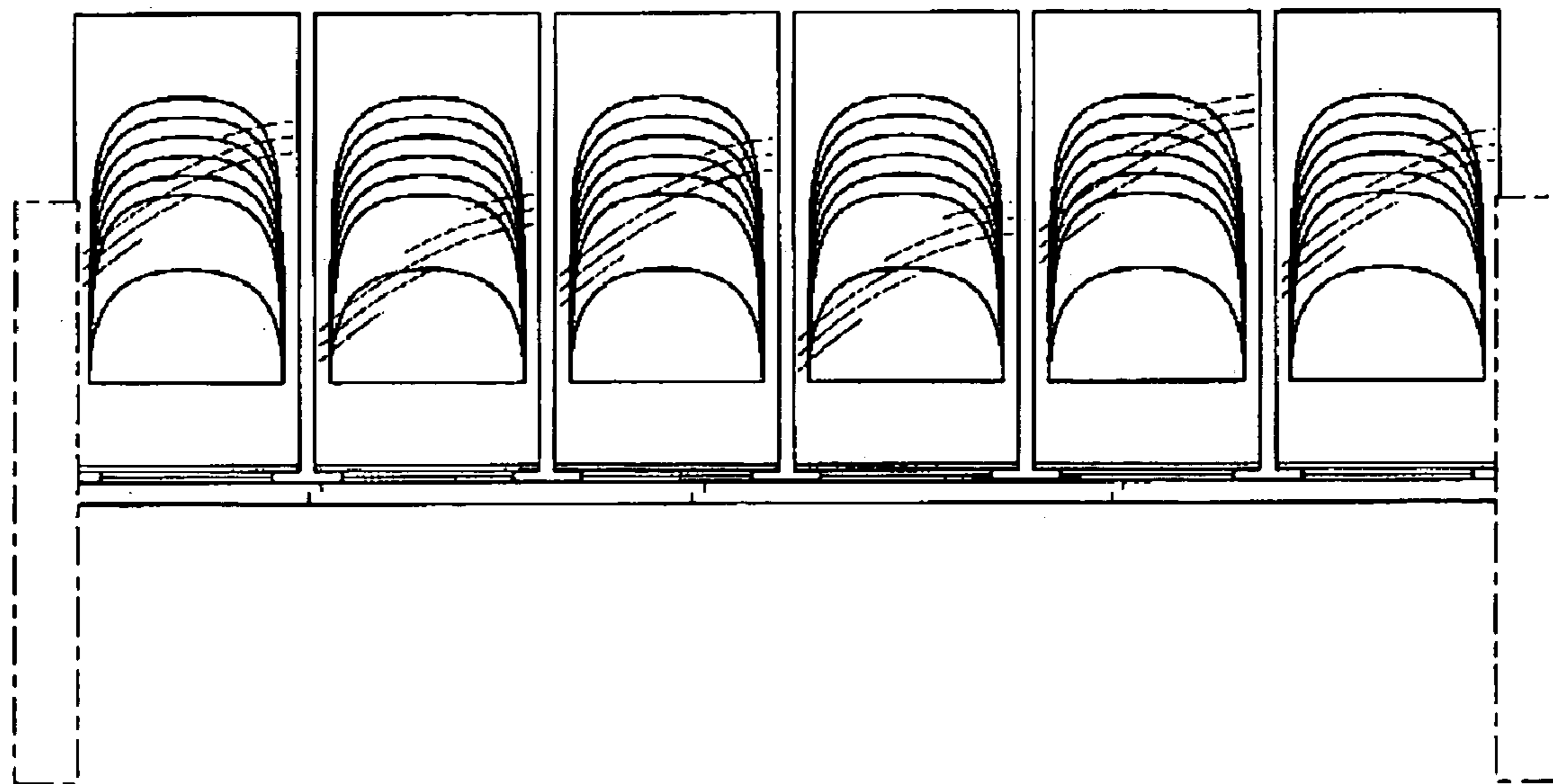


FIG. 6